



US00D451593B1

(12) **United States Design Patent** (10) **Patent No.:** **US D451,593 S**
Lee (45) **Date of Patent:** **** Dec. 4, 2001**

(54) **COMBINED CEILING FAN MOUNTING CANOPY, DOWNROD, MOTOR HOUSING, SWITCH HOUSING, BLADE IRONS AND LIGHT FIXTURE UNIT**

Primary Examiner—Lisa Lichtenstein
(74) *Attorney, Agent, or Firm*—Rosenberg, Klein & Lee

(57) **CLAIM**

The ornamental design for a combined ceiling fan mounting canopy, downrod, motor housing, switch housing, blade irons and light fixture unit, as shown and described.

(76) **Inventor:** **Ching-Tan Lee**, No.52,Lane
480,Section 2,Fenghsi Rd.,
Fengyuan,Taichung Hsien (TW)

(**) **Term:** **14 Years**

DESCRIPTION

(21) **Appl. No.:** **29/134,740**

FIG. 1 is a front-bottom perspective view of a combined ceiling fan mounting canopy, downrod, motor housing, switch housing, blade irons and light fixture unit showing my new design;

(22) **Filed:** **Dec. 29, 2000**

(51) **LOC (7) Cl.** **23-04**

FIG. 2 is a front elevational view thereof;

(52) **U.S. Cl.** **D23/411; D23/377; D23/385;**
D26/59

FIG. 3 is a rear elevational view thereof;

(58) **Field of Search** D23/377, 379,
D23/385, 411, 413; D26/72, 59, 51, 81-86,
88; 416/5

FIG. 4 is a left elevational view thereof; and

FIG. 5 is a right elevational view thereof;

FIG. 6 is a top plan view thereof; and

FIG. 7 is a bottom plan view thereof; and,

FIG. 8 is a perspective view thereof;

(56) **References Cited**

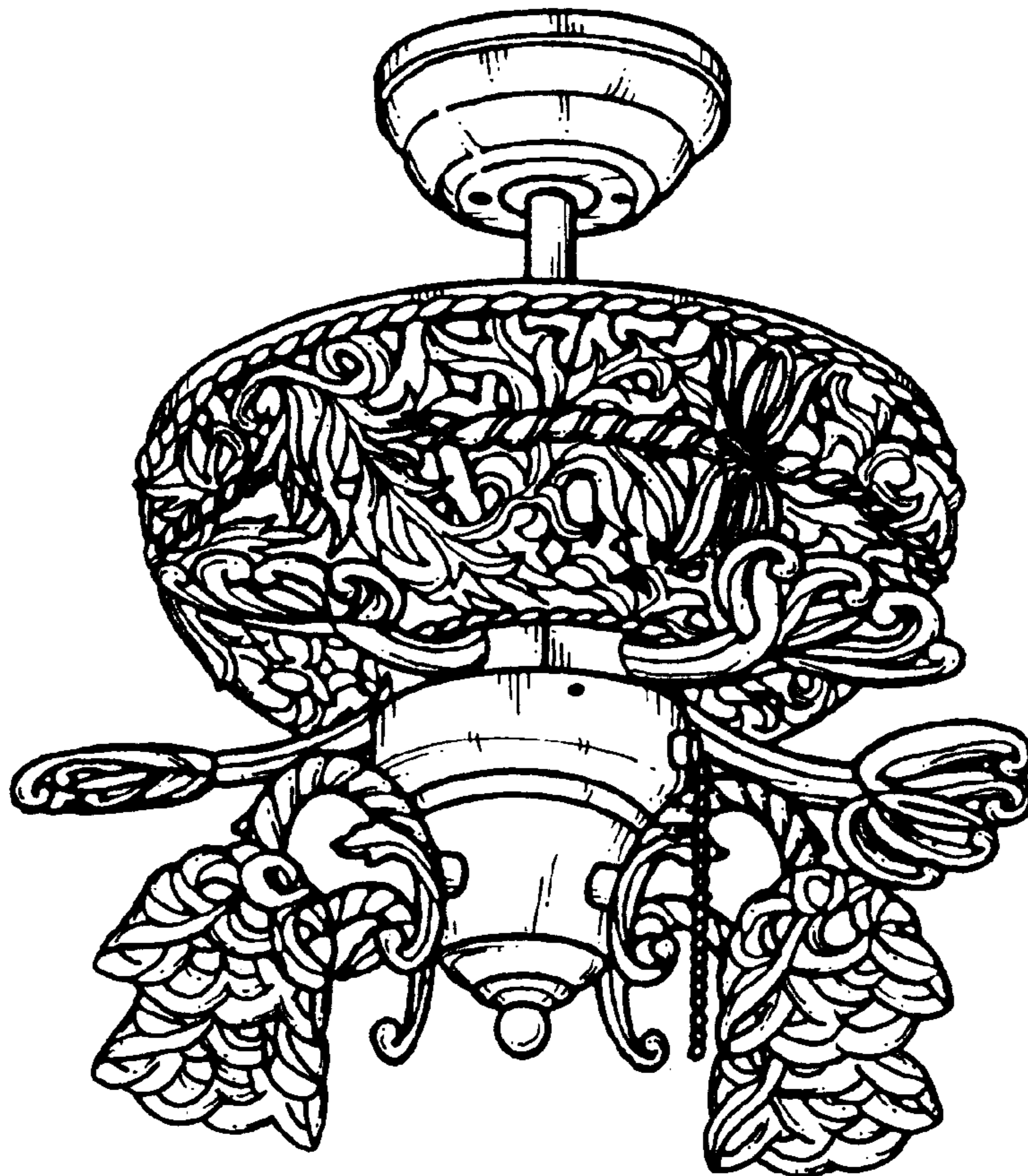
U.S. PATENT DOCUMENTS

- D. 428,648 * 7/2000 Chen D23/411
- D. 434,490 * 11/2000 Tsuji et al. D23/411

The broken line showing of environmental structure in FIG. 8 is for illustrative purposes only and forms no part of the claimed design.

* cited by examiner

1 Claim, 5 Drawing Sheets



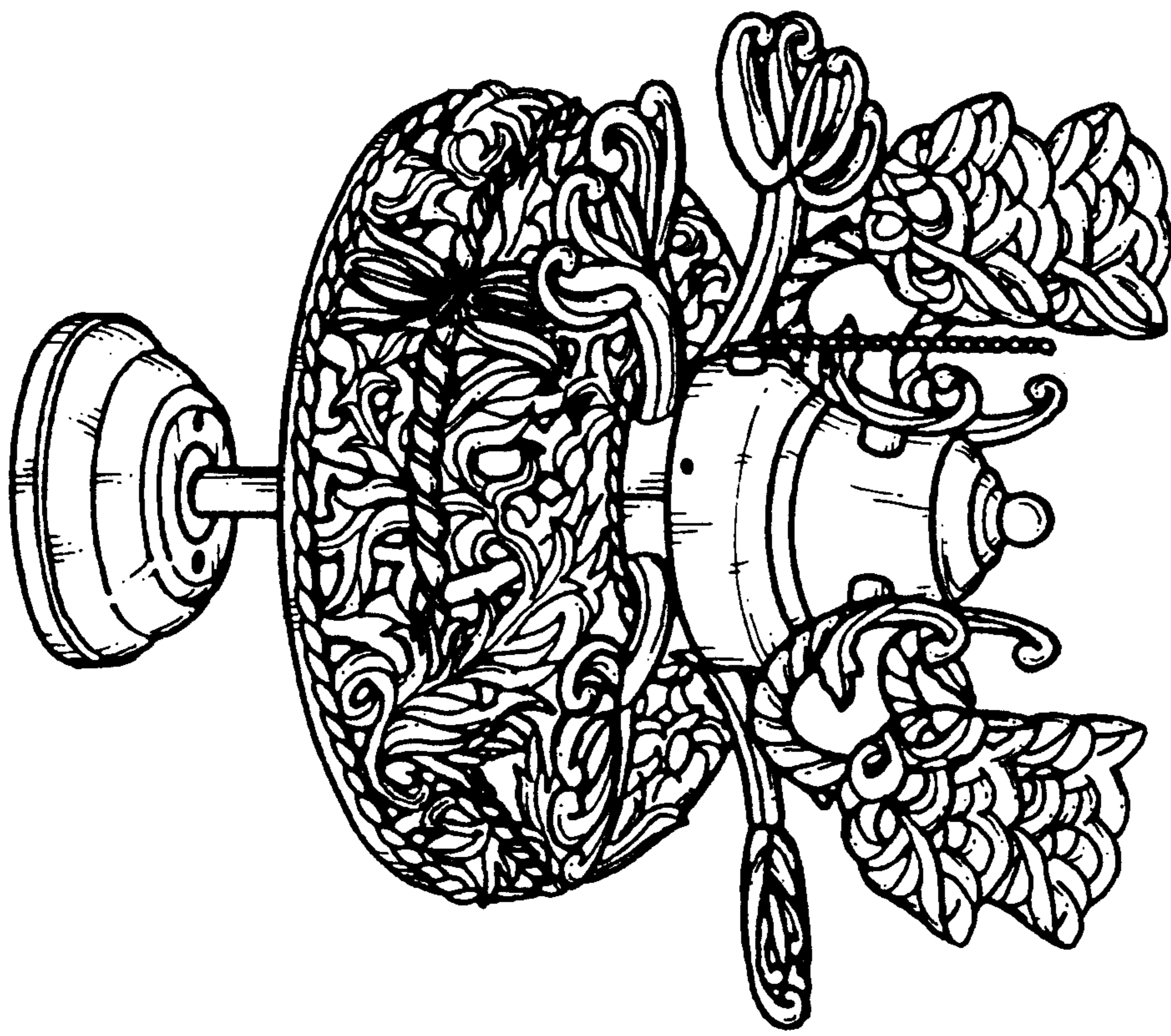


FIG. 1

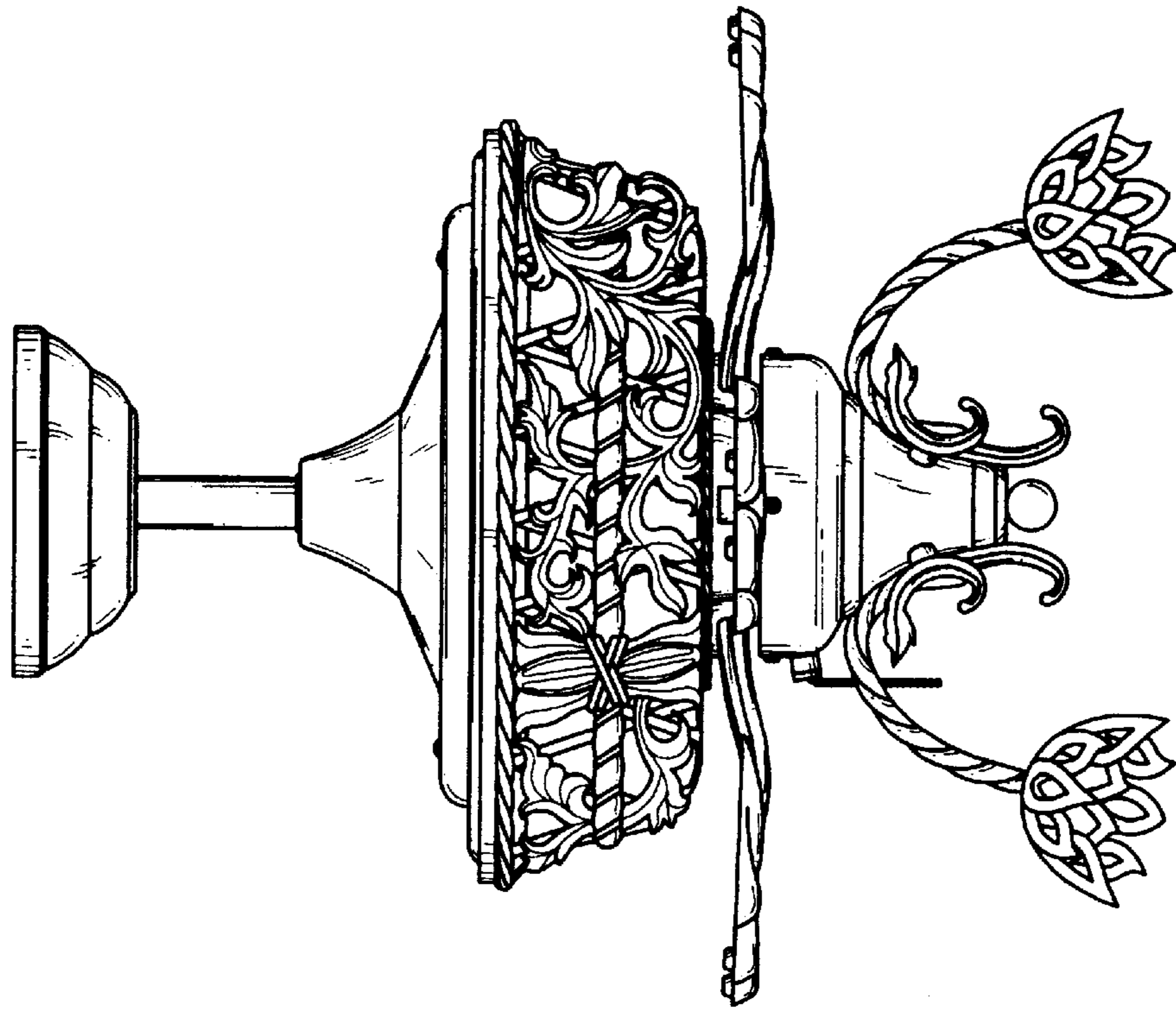


FIG. 2

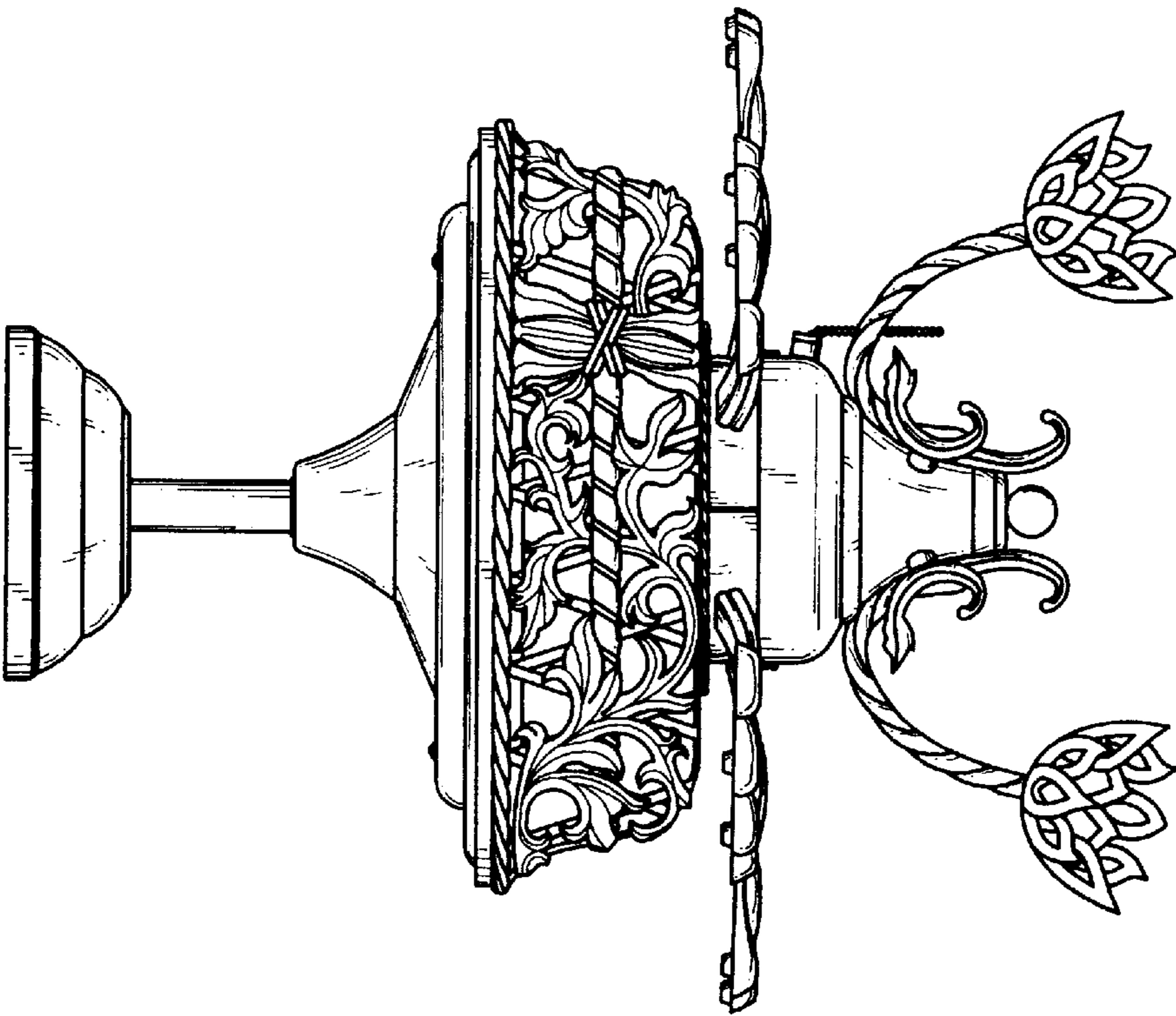


FIG. 3

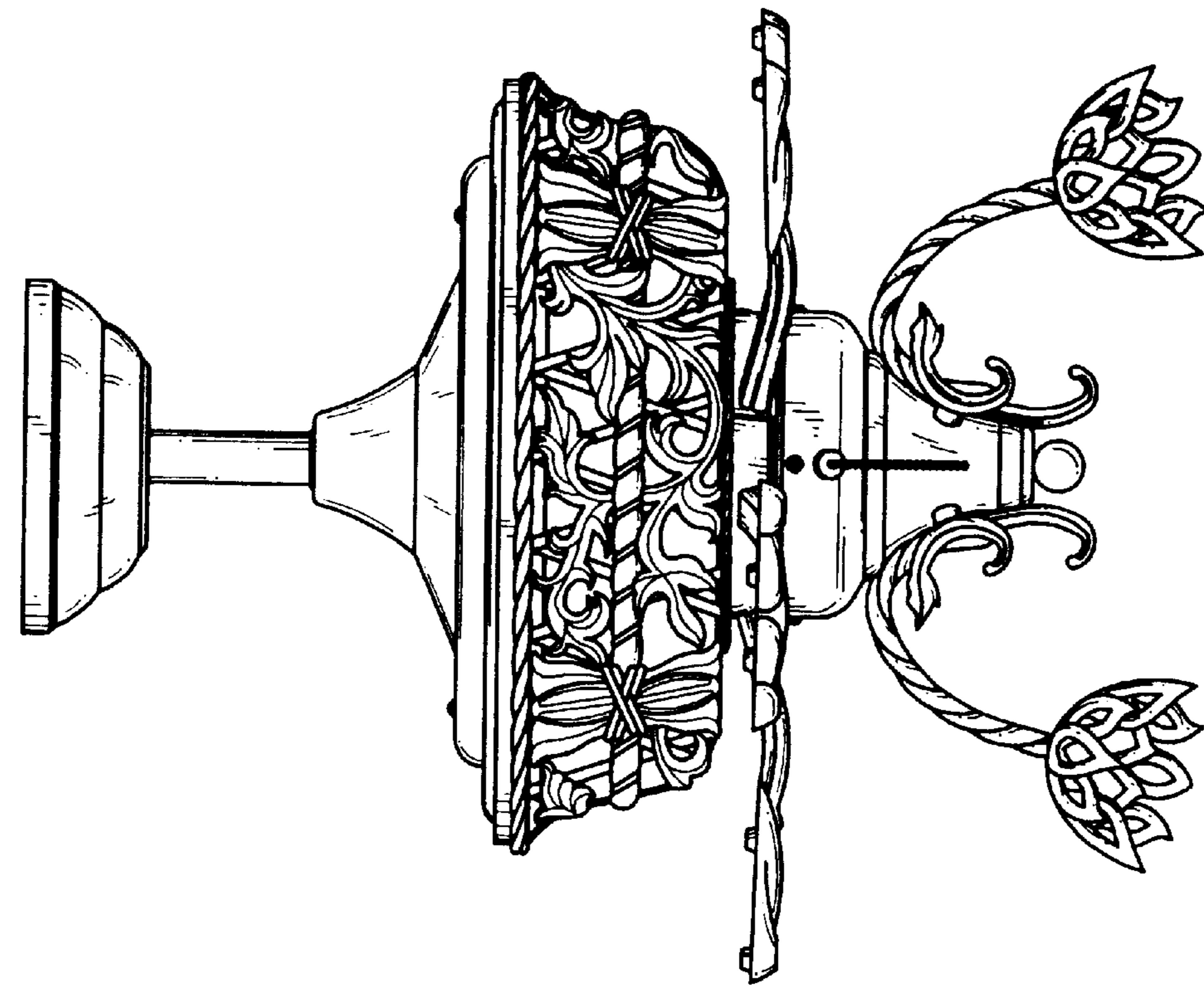


FIG.5

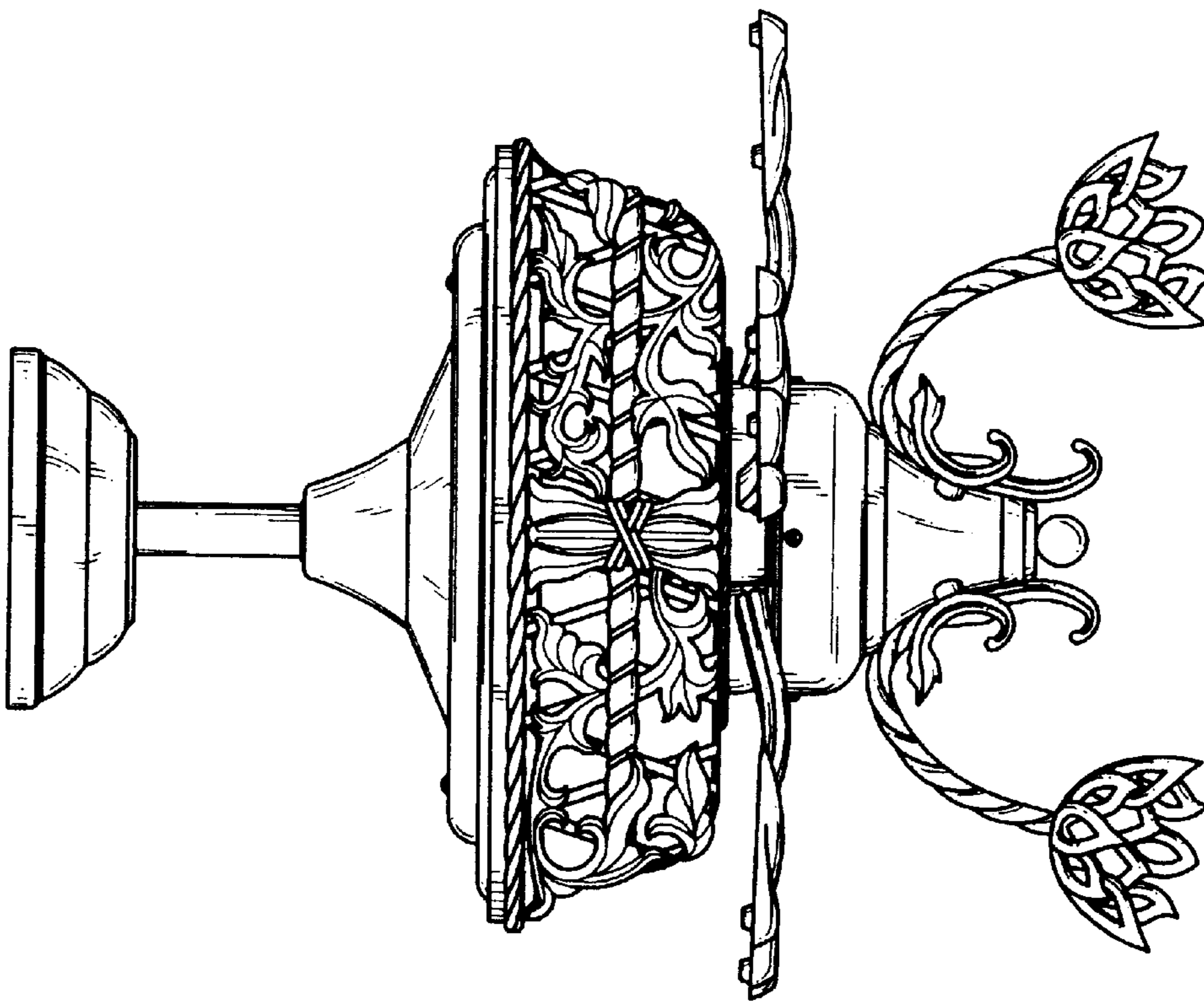


FIG.4

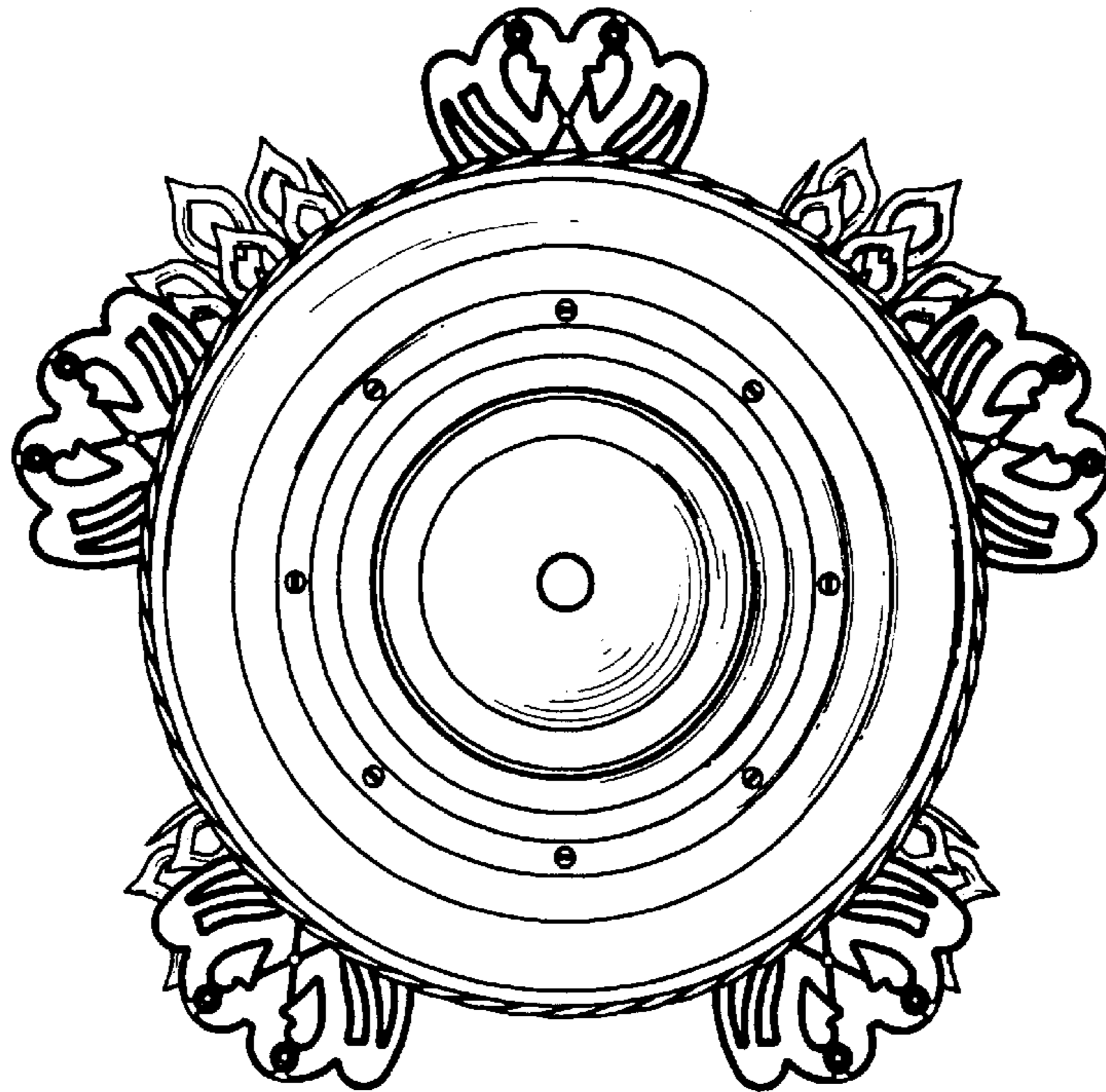


FIG. 6

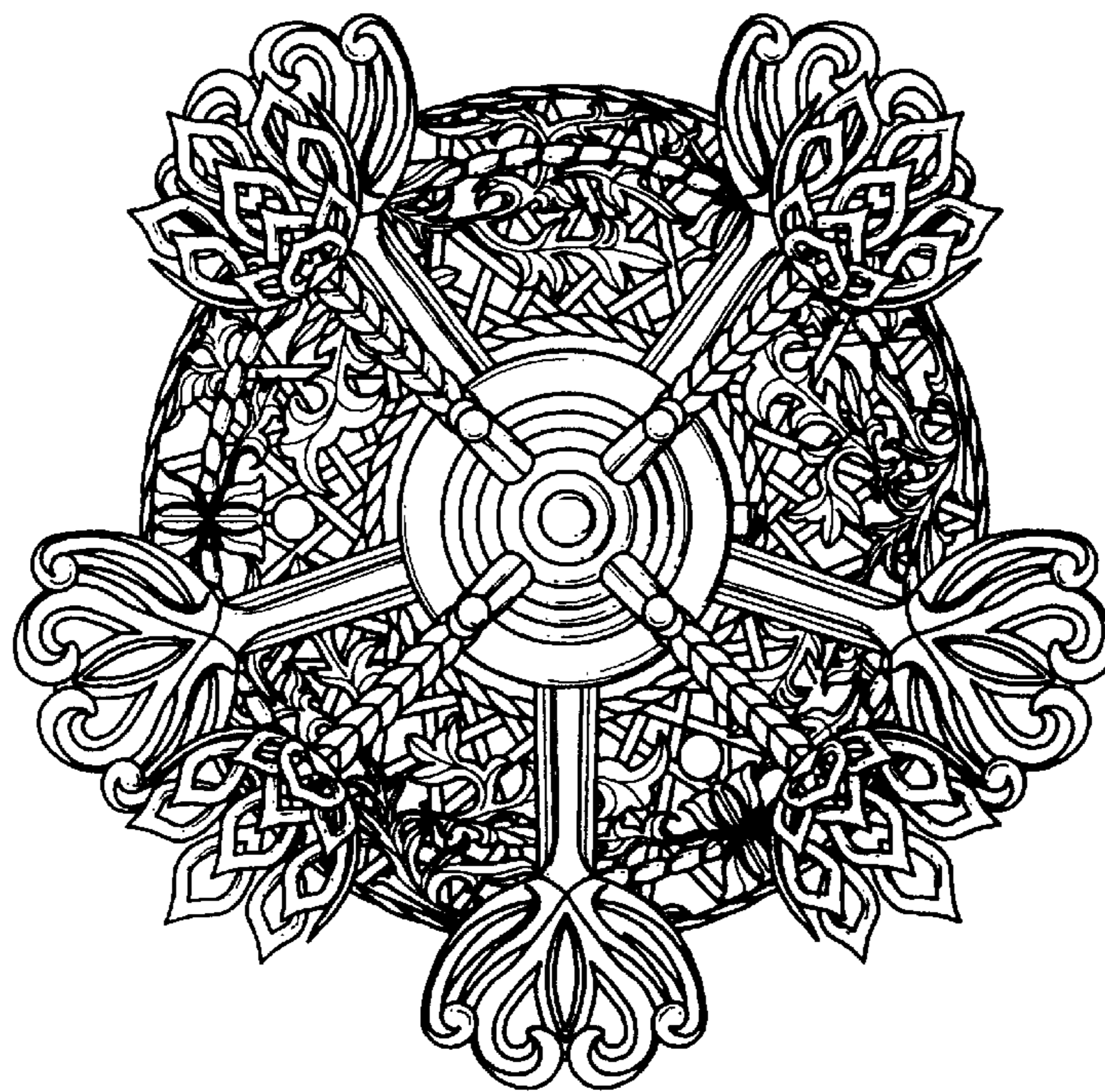


FIG. 7

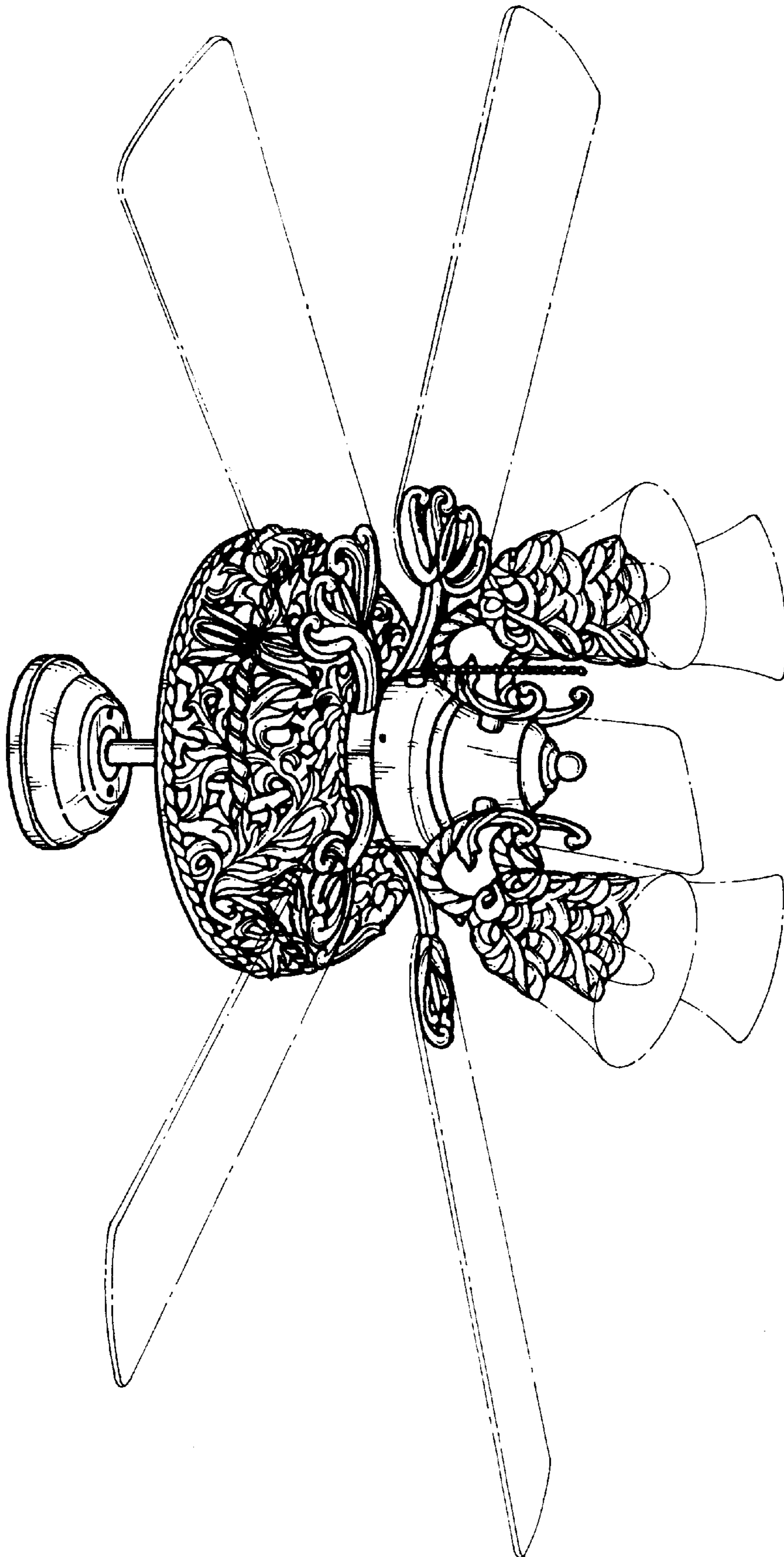


FIG.8