



US00D451592B1

(12) **United States Design Patent**
Dolan

(10) **Patent No.:** **US D451,592 S**

(45) **Date of Patent:** **** Dec. 4, 2001**

(54) **COMBINED CEILING FAN MOTOR HOUSING AND LIGHT FIXTURE UNIT**

Monte Carlo Fan, Fort Worth, TX, 1997–1998 p. 17 Model 5CZ52PB.*

(76) **Inventor:** **Patrick S. Dolan**, 1901 NW. Upshur St., Portland, OR (US) 97209

Minka–Aire, Corona, CA, Cat. 1996 p. 15 Model F807.*

(**) **Term:** **14 Years**

* cited by examiner

(21) **Appl. No.:** **29/134,727**

Primary Examiner—Lisa Lichtenstein

(22) **Filed:** **Dec. 27, 2000**

(57) **CLAIM**

(51) **LOC (7) Cl.** **23-04**

The ornamental design for a combined ceiling fan motor housing and light fixture unit, as shown and described.

(52) **U.S. Cl.** **D23/411; D23/377; D23/379; D23/385**

DESCRIPTION

(58) **Field of Search** D23/411, 377, D23/379, 385, 392, 364; 416/5; D26/59, 81–86, 88, 72, 57; 362/96

(56) **References Cited**

U.S. PATENT DOCUMENTS

| | | | | | |
|------------|---|---------|--------|-------|---------|
| D. 339,191 | * | 9/1993 | Vieyra | | D23/411 |
| D. 372,080 | * | 7/1996 | Dolan | | D23/411 |
| D. 384,739 | * | 10/1997 | Dolan | | D23/411 |
| D. 435,901 | * | 1/2001 | Tsuji | | D23/411 |

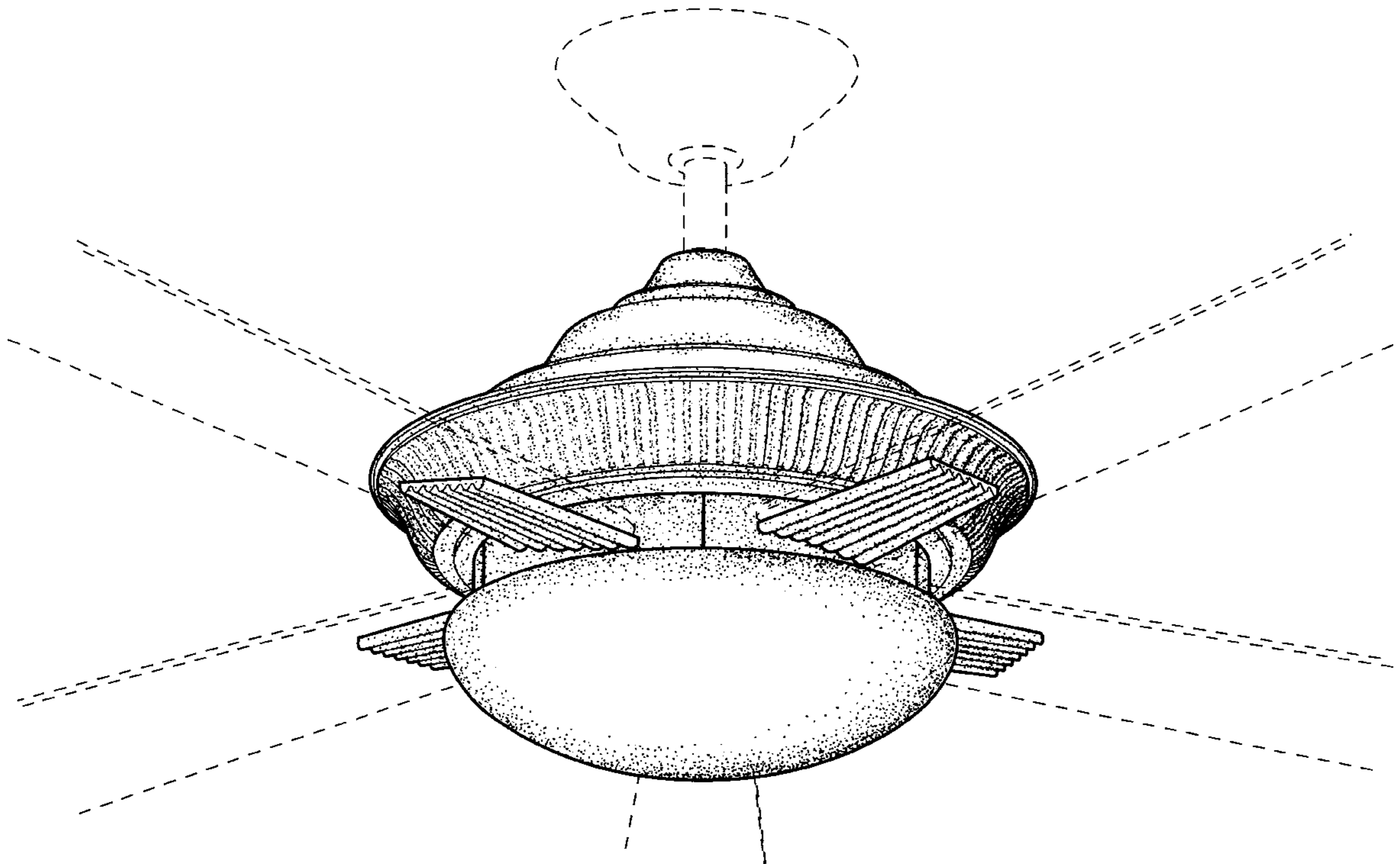
FIG. 1 is a perspective view thereof;
FIG. 2 is a front elevational view thereof;
FIG. 3 is a right side view thereof;
FIG. 4 is a left side view thereof;
FIG. 5 is a top plan view thereof; and,
FIG. 6 is a bottom plan view thereof.

OTHER PUBLICATIONS

Monte Carlo Fan, Fort Worth, TX, Nov. 1997, no page # given Model MC18PB.*
Monte Carlo Fan, Fort Worth, TX, 1997–1998 p. 4 Model 5ME56PWO.*

The broken line showing of environmental structure in FIGS. 1–6 is for illustrative purposes only and forms no part of the claimed design.

1 Claim, 6 Drawing Sheets



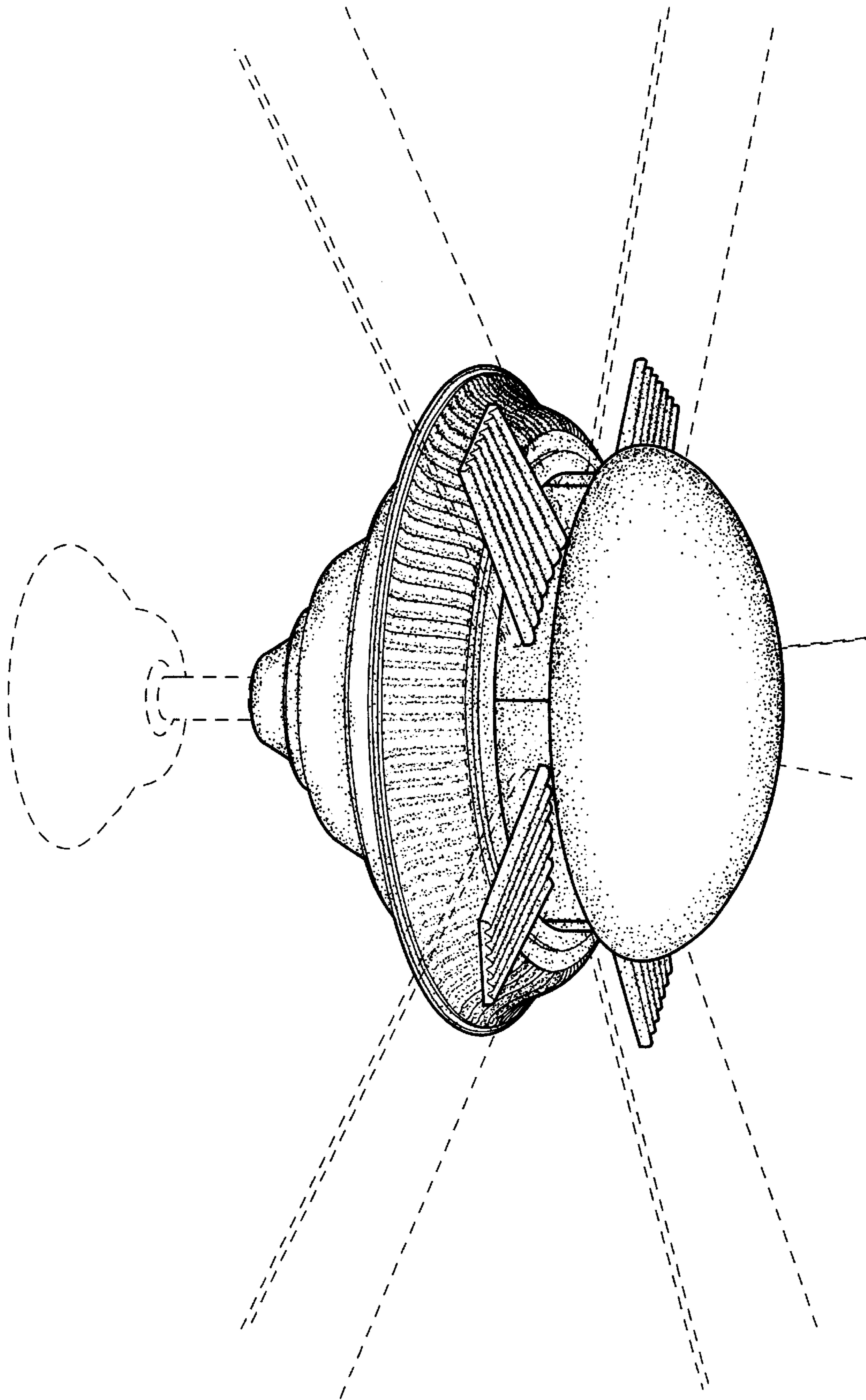


FIG. 1

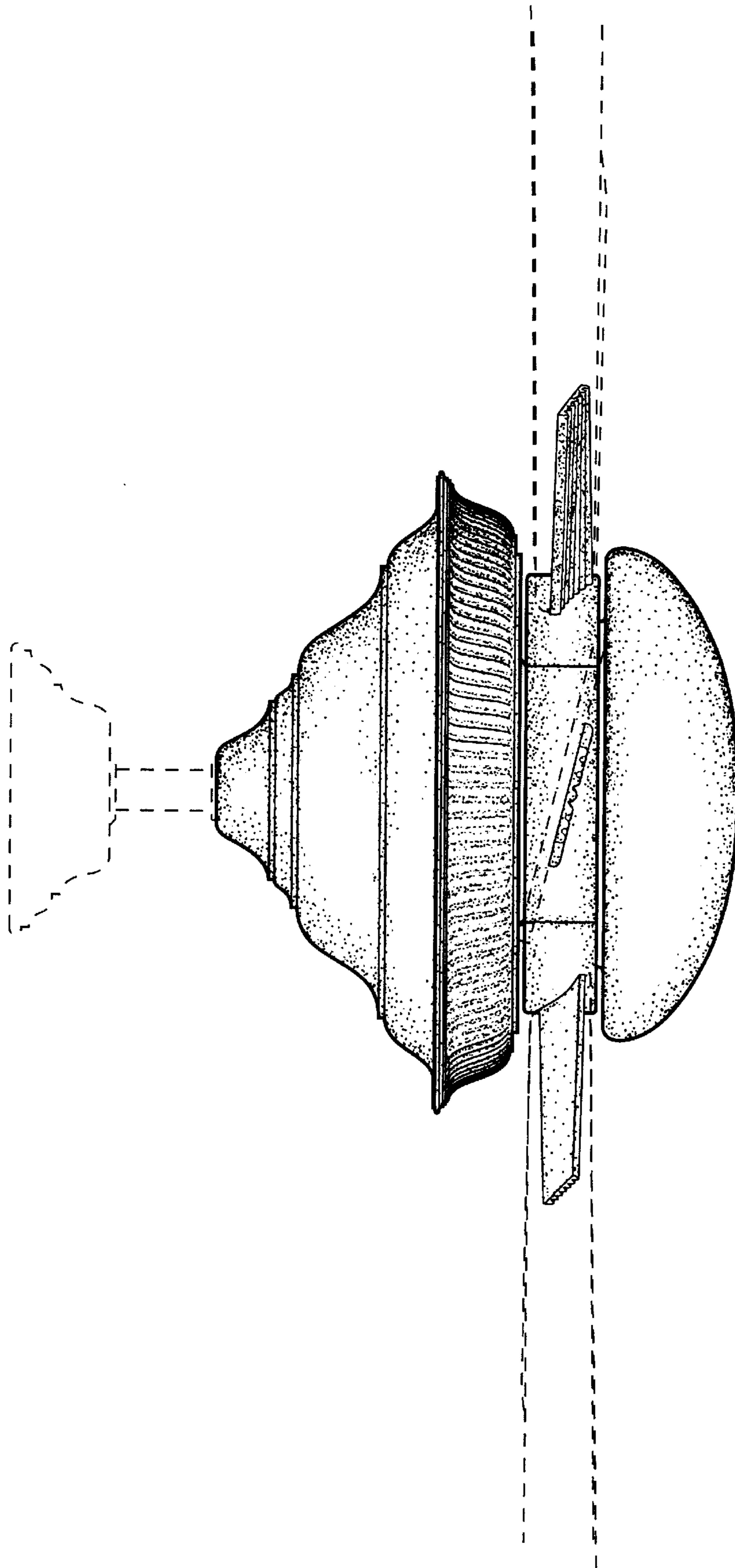


FIG. 2

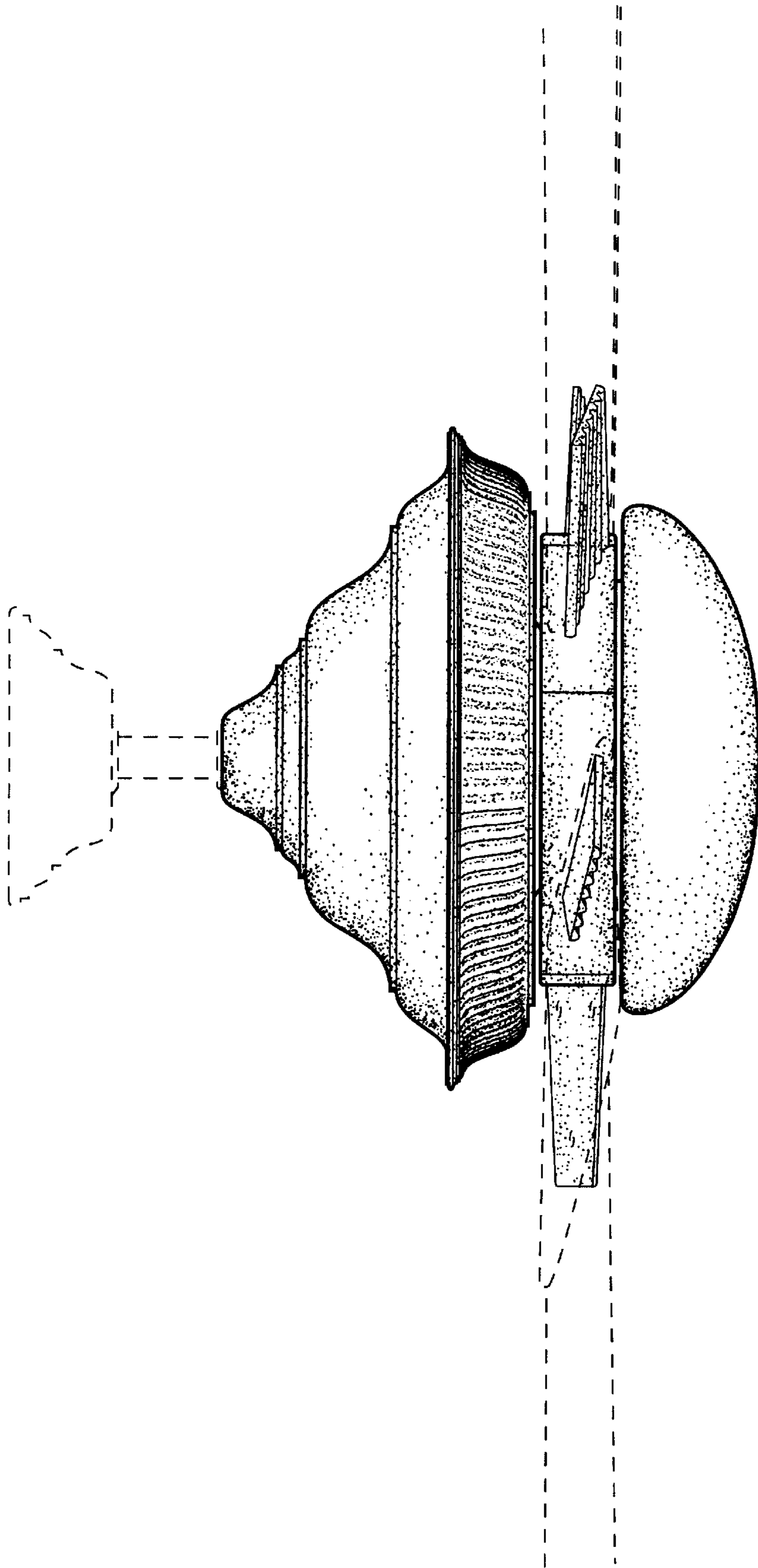


FIG. 3

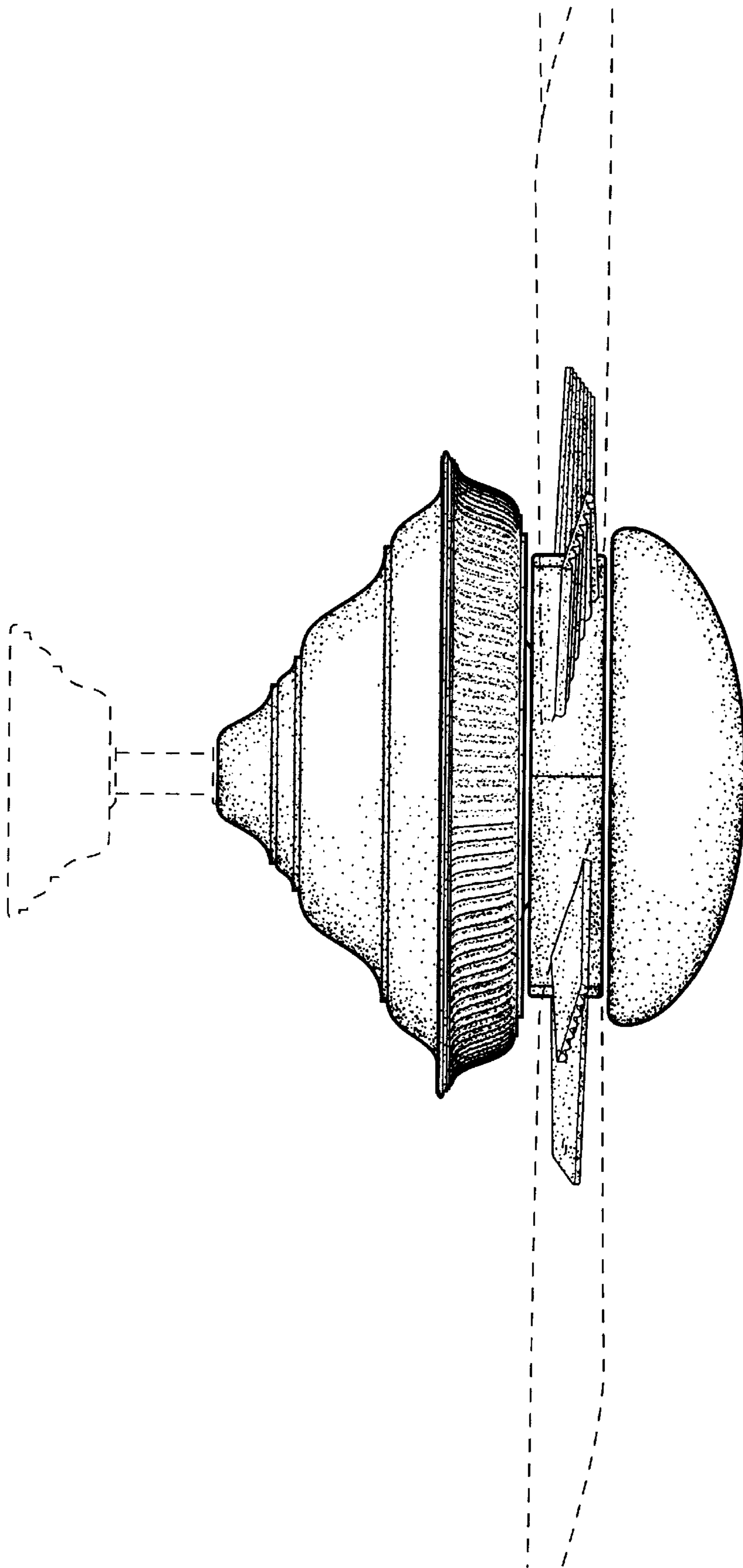


FIG. 4

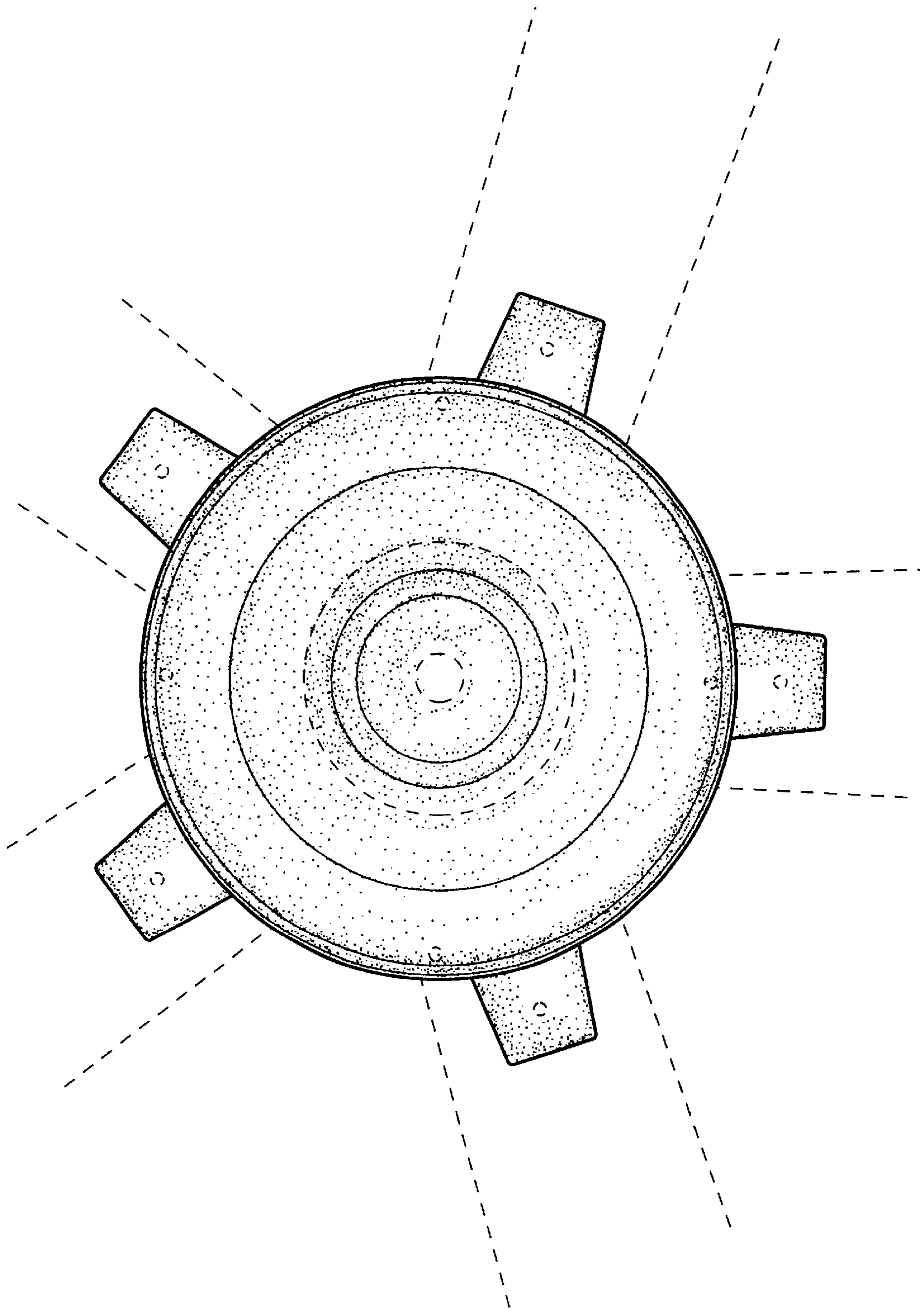


FIG. 5

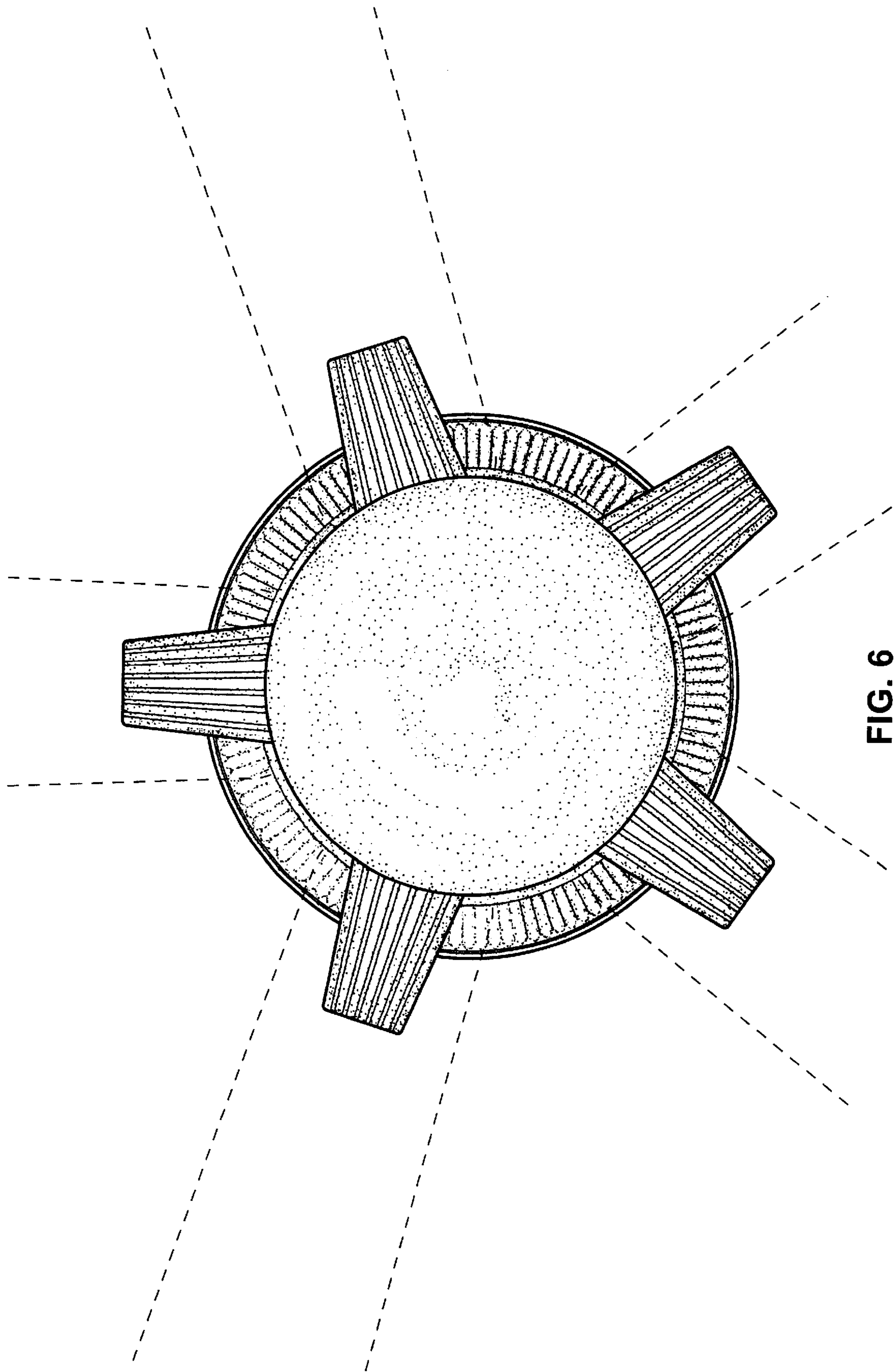


FIG. 6