



US00D451589B1

(12) **United States Design Patent**  
**Axelsson**

(10) **Patent No.:** **US D451,589 S**

(45) **Date of Patent:** **\*\* Dec. 4, 2001**

(54) **TURNING ENDS FOR HEAT EXCHANGERS**

(75) Inventor: **Magnus Axelsson, Läckeby (SE)**

(73) Assignee: **Läckeby Water AB (SE)**

(\*\*) Term: **14 Years**

(21) Appl. No.: **29/124,640**

(22) Filed: **Jun. 8, 2000**

(51) **LOC (7) Cl.** ..... **23-04**

(52) **U.S. Cl.** ..... **D23/387**

(58) **Field of Search** ..... D23/387, 386,  
D23/393; 454/277; 248/222.41, 27.1; 292/300-302

(56) **References Cited**

**U.S. PATENT DOCUMENTS**

D. 271,900 \* 12/1983 Efstris ..... D23/387

D. 296,584 \* 7/1988 Hilton ..... D23/386

D. 380,259 \* 6/1997 Artz ..... D23/393

4,502,368 \* 3/1985 Hempel ..... 454/277

\* cited by examiner

*Primary Examiner*—Mitchell Siegel

(74) *Attorney, Agent, or Firm*—Orum & Roth

(57) **CLAIM**

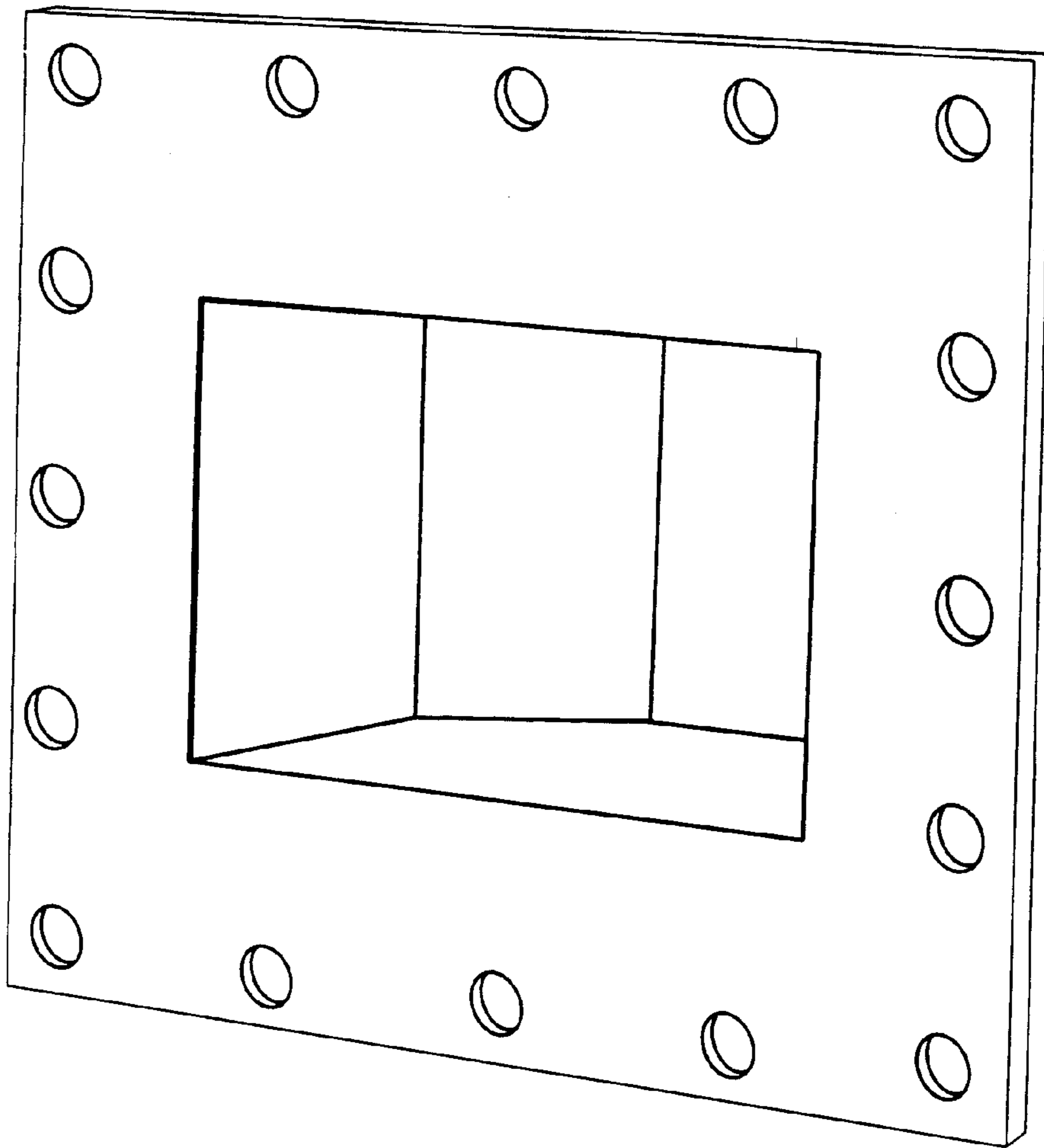
I claim the ornamental design for the turning ends for heat exchangers, as shown and described.

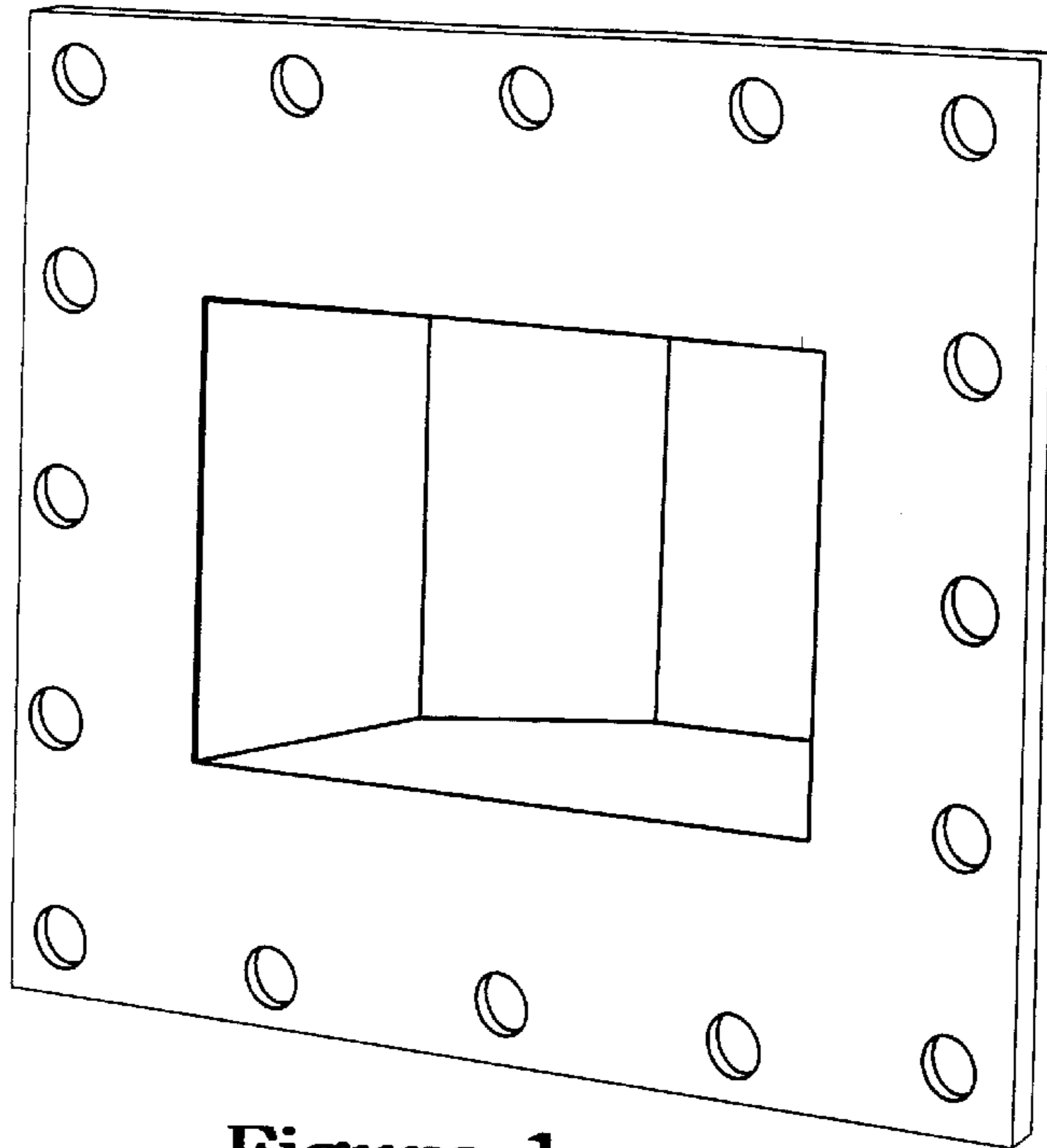
**DESCRIPTION**

FIG. 1 is a prospective view of the inside showing my new design; and,

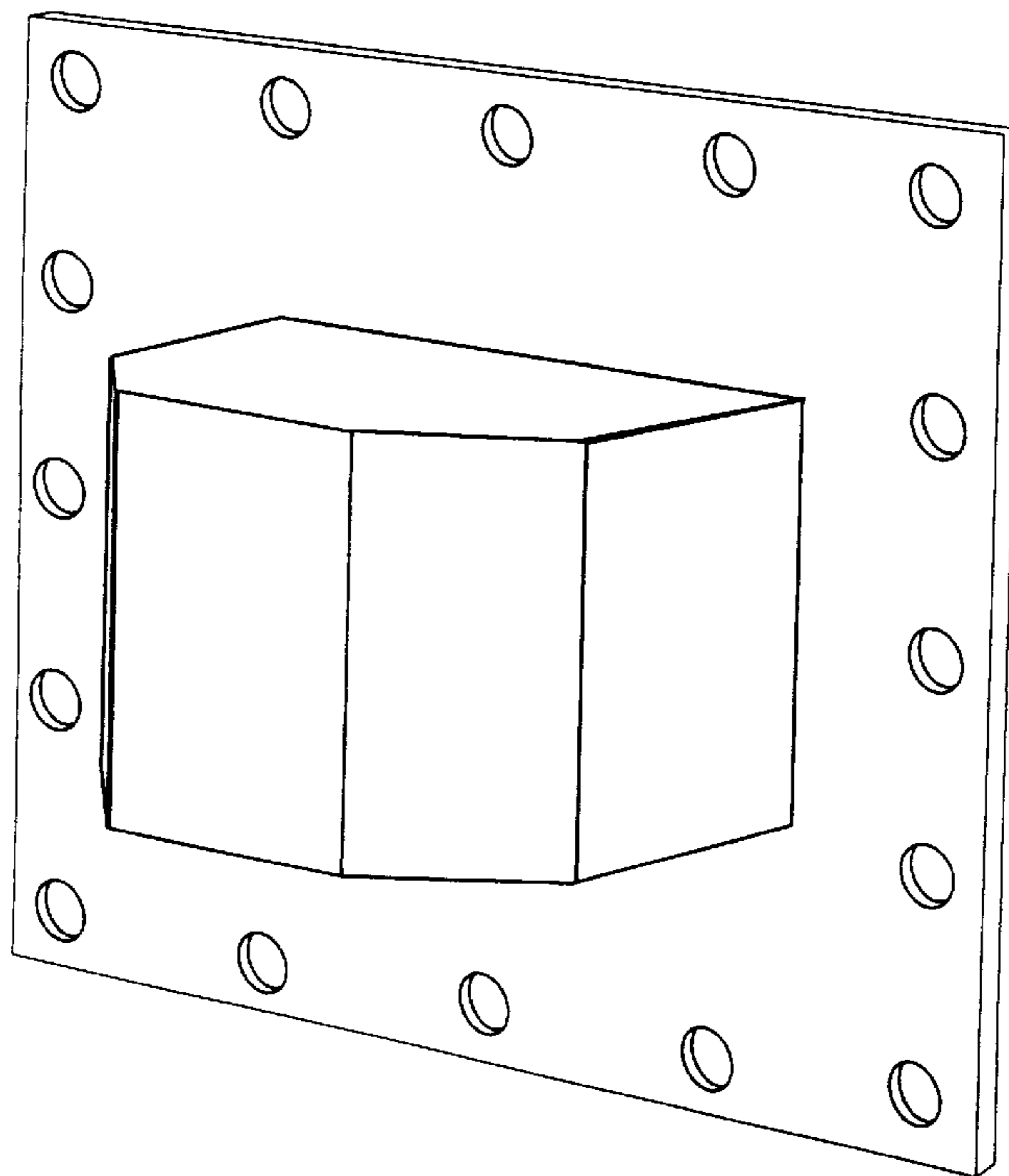
FIG. 2 is a prospective view of the outside from the opposite direction.

**1 Claim, 1 Drawing Sheet**





**Figure 1**



**Figure 2**