



US00D451588B1

(12) **United States Design Patent**
Steiner

(10) **Patent No.:** **US D451,588 S**

(45) **Date of Patent:** **** Dec. 4, 2001**

(54) **BASKET BALL SPORTS PORTABLE FAN**

D. 394,501 * 5/1998 Bloom D23/379
3,624,939 * 12/1971 Gossard D9/307

(76) **Inventor:** **Gregory A. Steiner**, 7 S. 550 Donwood
Dr., Naperville, IL (US) 60567

* cited by examiner

(**) **Term:** **14 Years**

Primary Examiner—Lisa Lichtenstein
(74) *Attorney, Agent, or Firm*—Basil E. Demeur; Alan B. Samlan

(21) **Appl. No.:** **29/128,679**

(22) **Filed:** **Aug. 29, 2000**

(57) **CLAIM**

(51) **LOC (7) Cl.** **23-04**

I claim the ornamental design for a basket ball sports portable fan, as shown and described.

(52) **U.S. Cl.** **D23/379**

(58) **Field of Search** D9/307; D23/328,
D23/381, 382, 379; 416/95, 146 R

DESCRIPTION

(56) **References Cited**

FIG. 1 is a front elevational view; and,
FIG. 2 is a side elevational view thereof, the other side being
a mirror image of that shown.

U.S. PATENT DOCUMENTS

D. 349,954 * 8/1994 Steiner D23/379

1 Claim, 2 Drawing Sheets

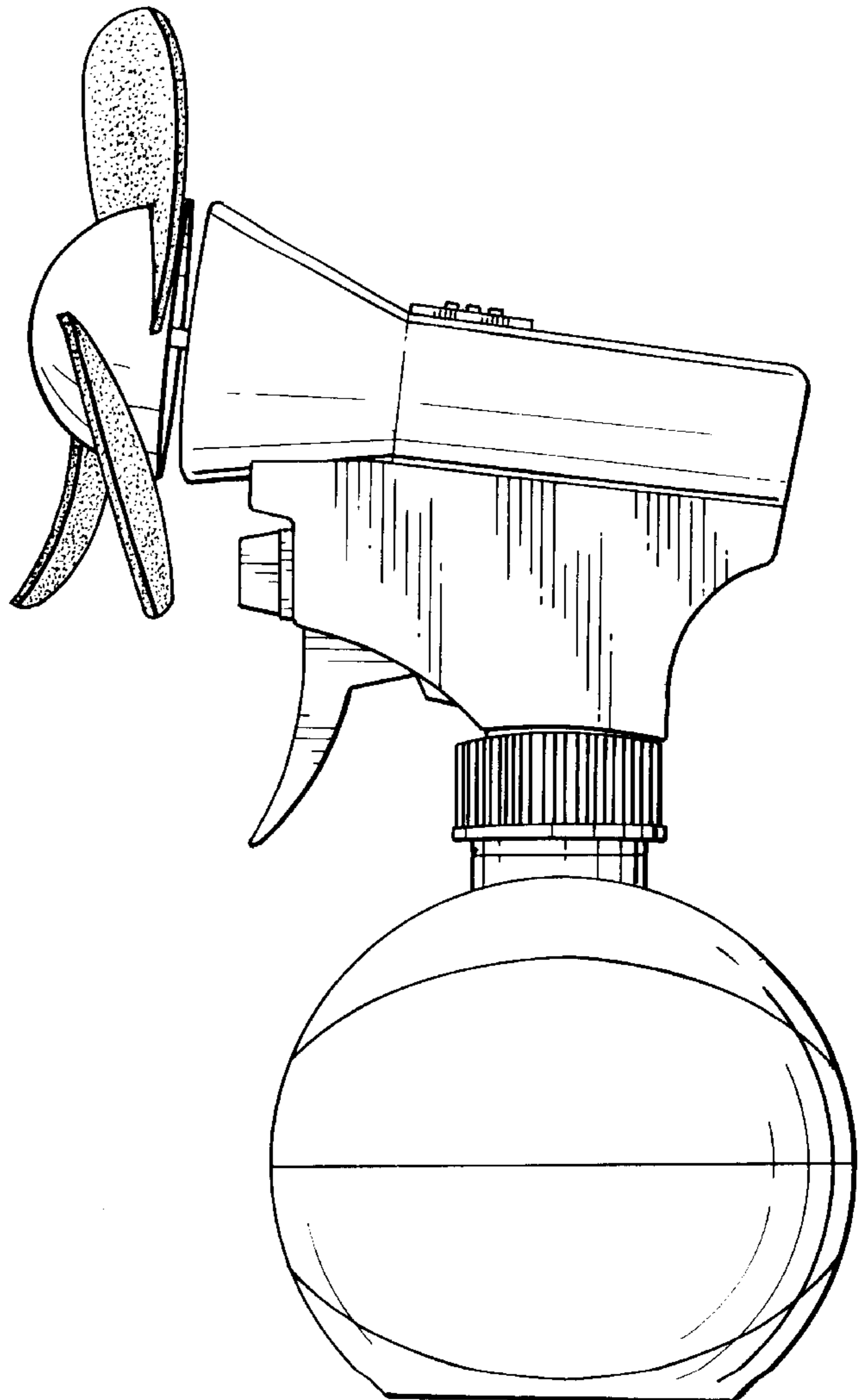
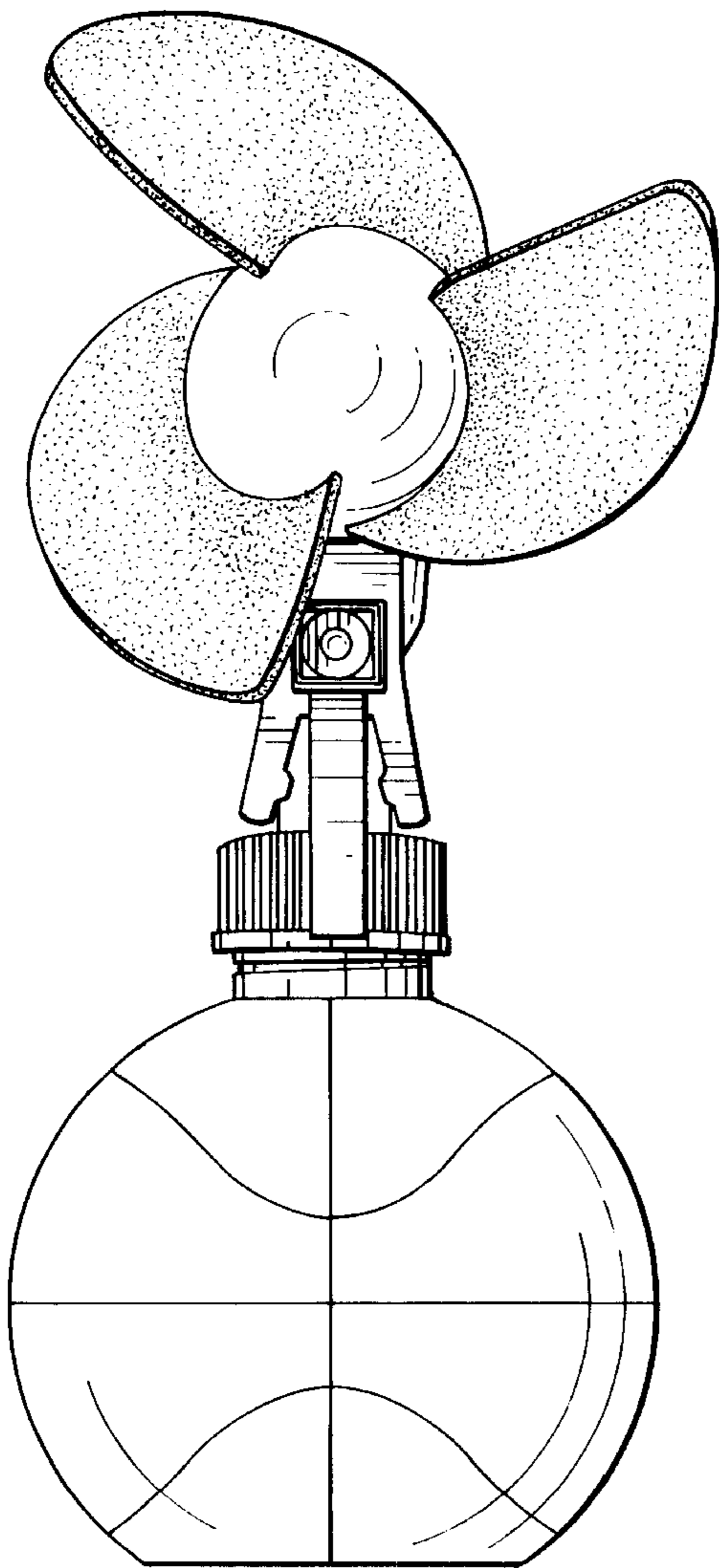


FIG. 1

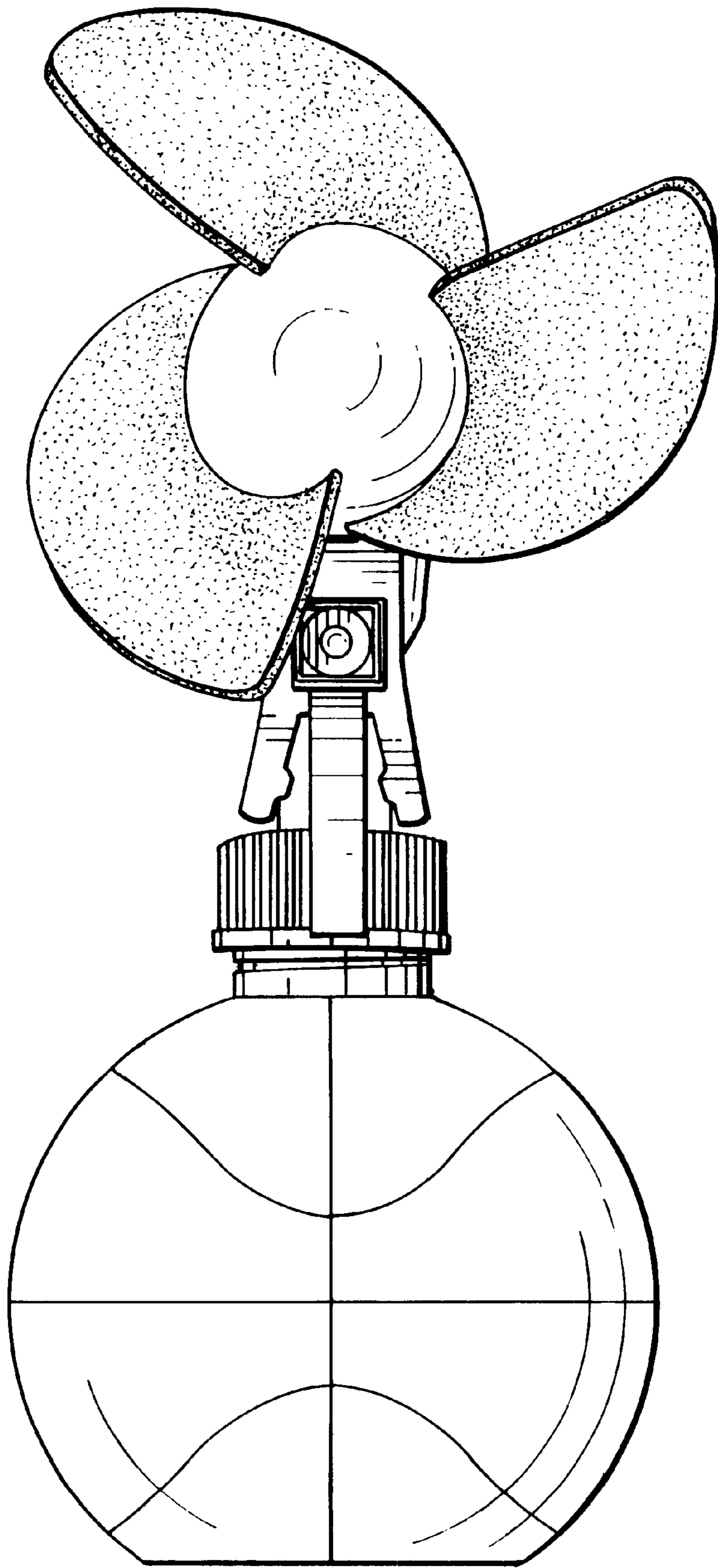


FIG. 2

