



US00D451586B1

(12) **United States Design Patent**
Oya et al.

(10) **Patent No.:** **US D451,586 S**

(45) **Date of Patent:** **** Dec. 4, 2001**

(54) **AIR CONDITIONER**

D. 417,910 * 12/1999 Nonaka D23/351
D. 426,626 * 6/2000 Nonaka D23/351

(75) Inventors: **Hiroshi Oya; Yoshimi Okamoto;**
Akira Otsuki; Toru Fujisawa; Hideki
Oba, all of Osaka-fu (JP)

OTHER PUBLICATIONS

Fujitsu Catalog, "Large Size" (2000).
Fujitsu Catalog, "Heat Pump Systems" (2000).
Mitsubishi Catalog, "Mr. SLIM" (1997).

(73) Assignee: **Sanyo Electric Co., Ltd., Osaka-Fu**
(JP)

* cited by examiner

(**) Term: **14 Years**

Primary Examiner—B. J. Bullock

(21) Appl. No.: **29/130,222**

(74) *Attorney, Agent, or Firm*—Weingarten, Schurgin,
Gagnebin & Lebovici LLP

(22) Filed: **Sep. 28, 2000**

(30) **Foreign Application Priority Data**

(57) **CLAIM**

Mar. 30, 2000 (JP) 12-008023

We claim the ornamental design for an air conditioner, as shown and described.

(51) **LOC (7) Cl.** **23-04**

DESCRIPTION

(52) **U.S. Cl.** **D23/351**

(58) **Field of Search** D23/351-354,
D23/333; 62/259.1, 259.4, 262, 263, 304,
324.1, DIG. 16; 312/236; 454/201, 202,
203, 204

FIG. 1 is a bottom, front, and right side perspective view of our design for an air conditioner;
FIG. 2 is a top plan view thereof;
FIG. 3 is a front view thereof;
FIG. 4 is a bottom view thereof;
FIG. 5 is a backside view thereof;
FIG. 6 is a right side view thereof;
FIG. 7 is a left side view thereof; and,
FIG. 8 is a perspective view thereof, where lower flaps are open.

(56) **References Cited**

U.S. PATENT DOCUMENTS

D. 327,736 * 7/1992 Shimano et al. D23/351
D. 351,648 * 10/1994 Ikeda et al. D23/351
D. 361,833 * 8/1995 Shingenari D23/351
D. 368,305 * 3/1996 Shingenari et al. D23/351
D. 402,020 * 12/1998 Aihara et al. D23/351

1 Claim, 4 Drawing Sheets

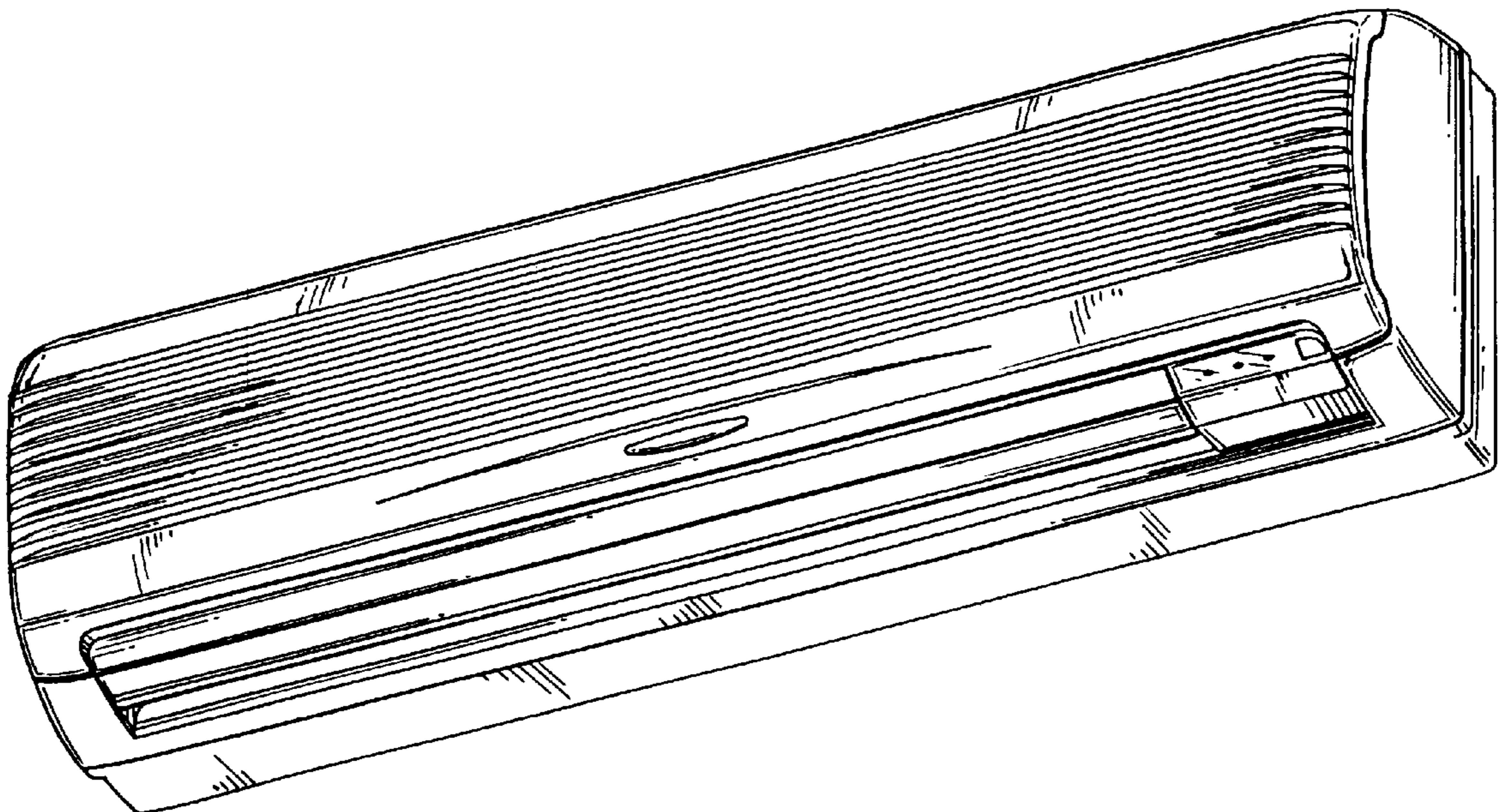


Fig. 1

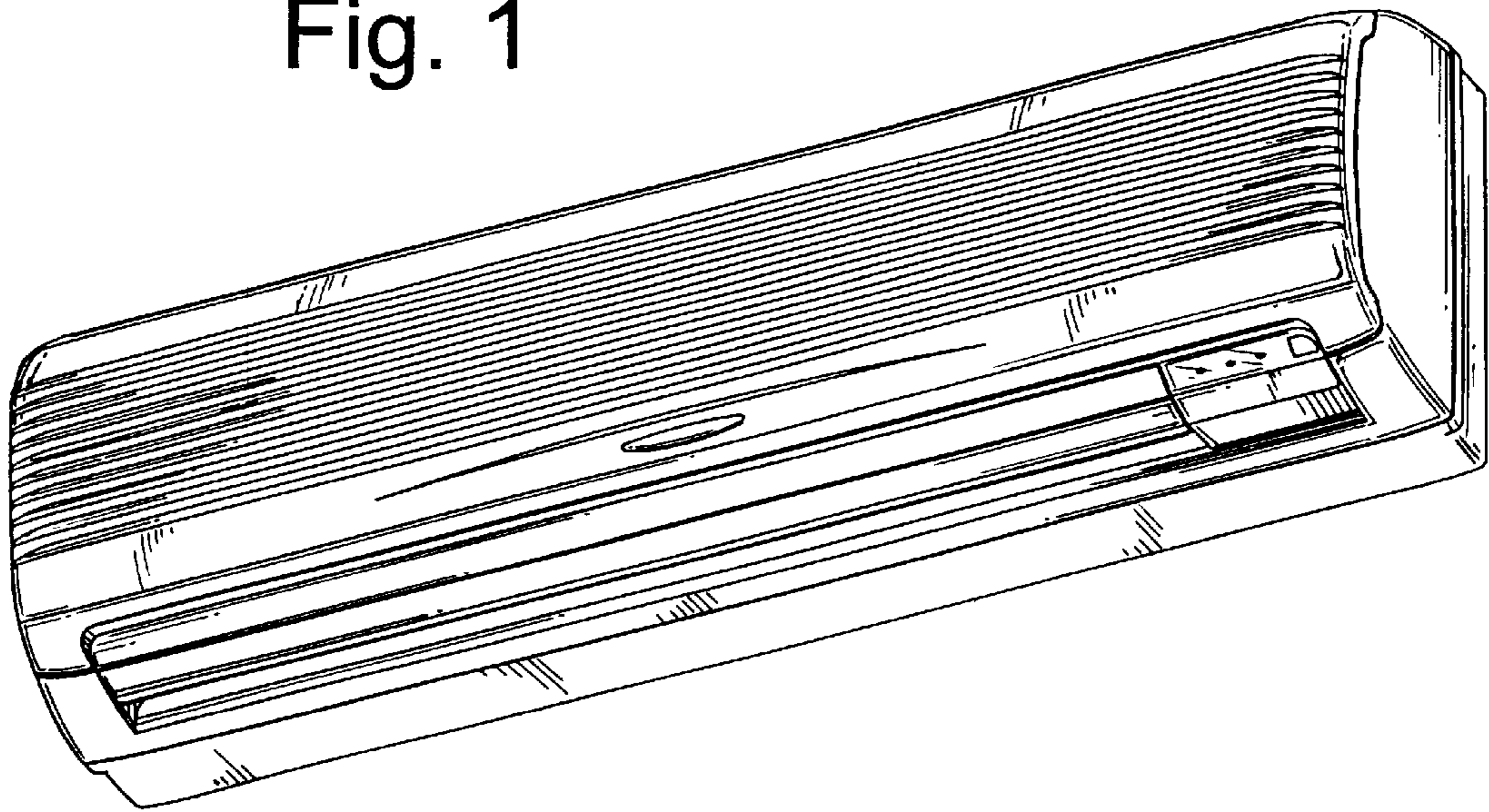


Fig. 2

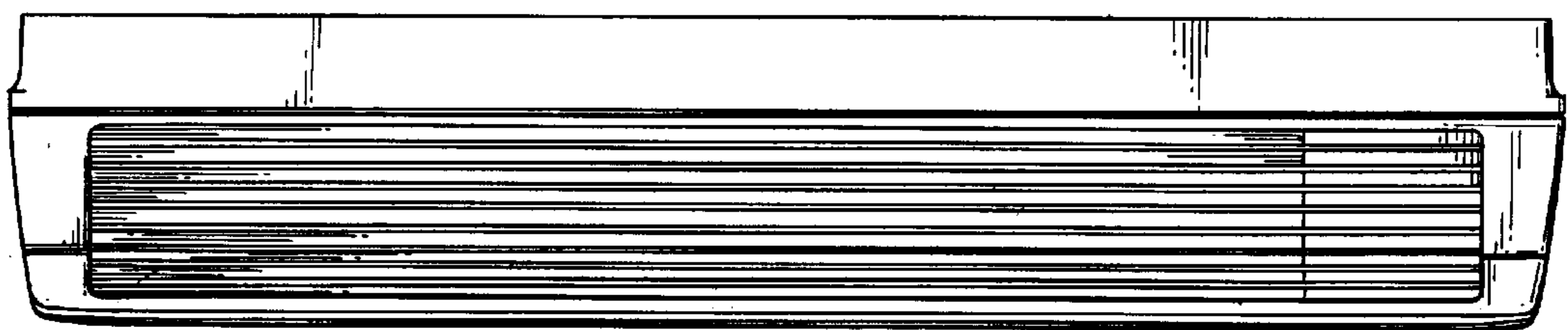


Fig. 3

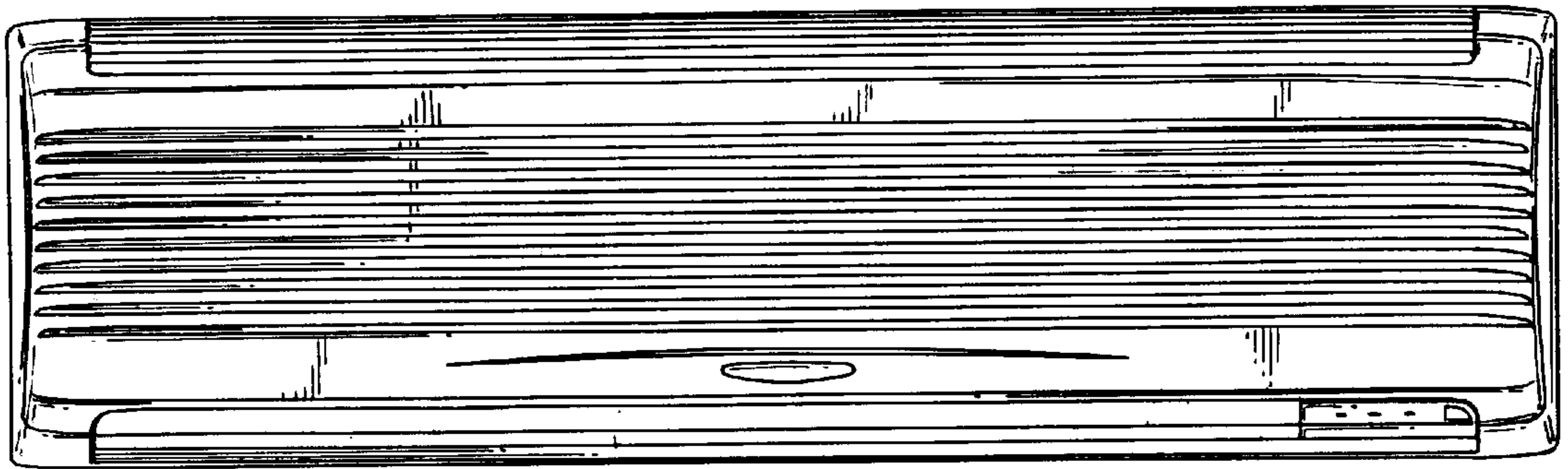


Fig. 4

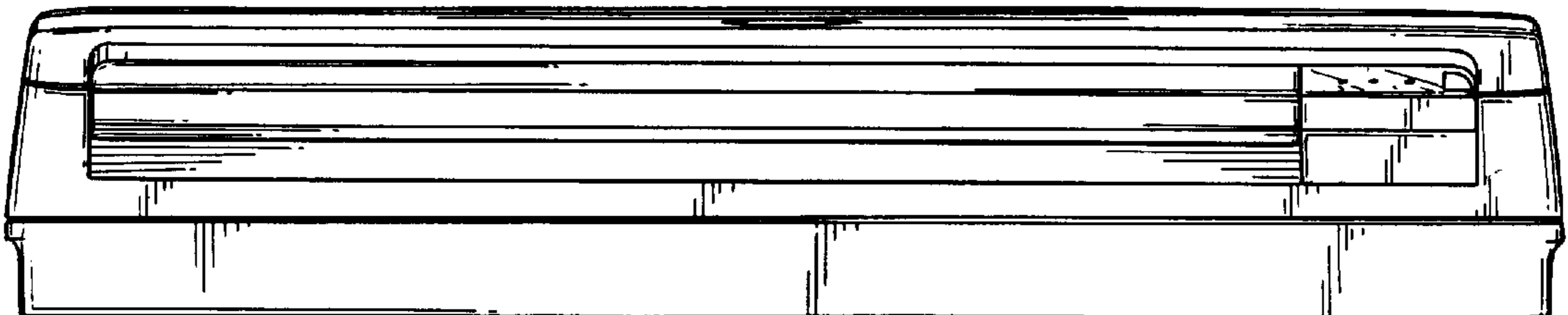


Fig. 5

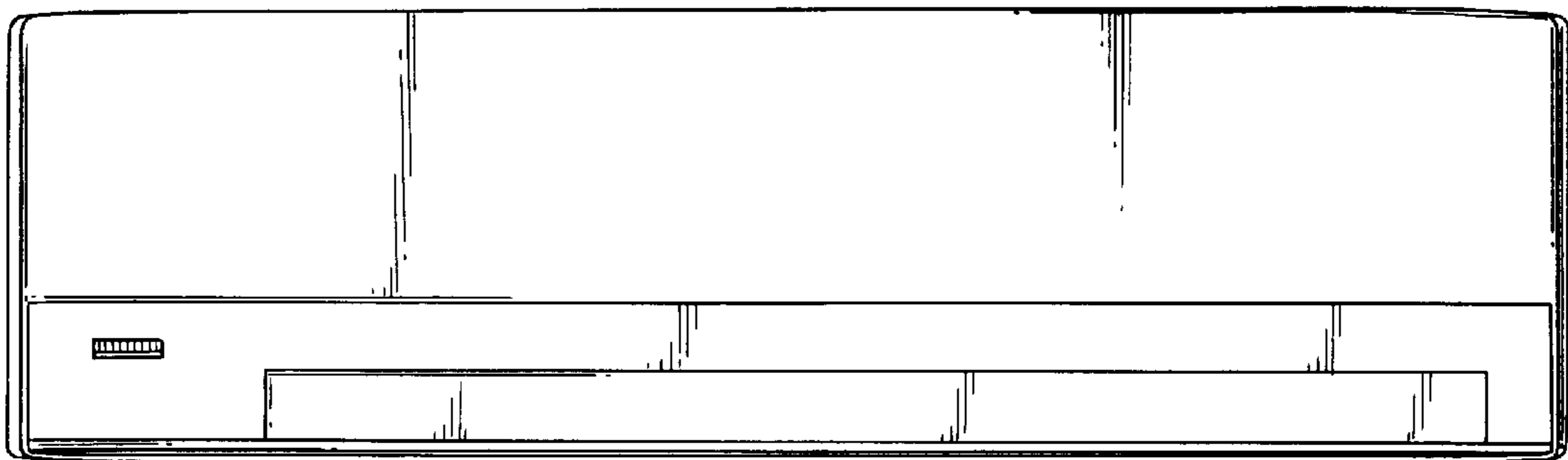


Fig. 6

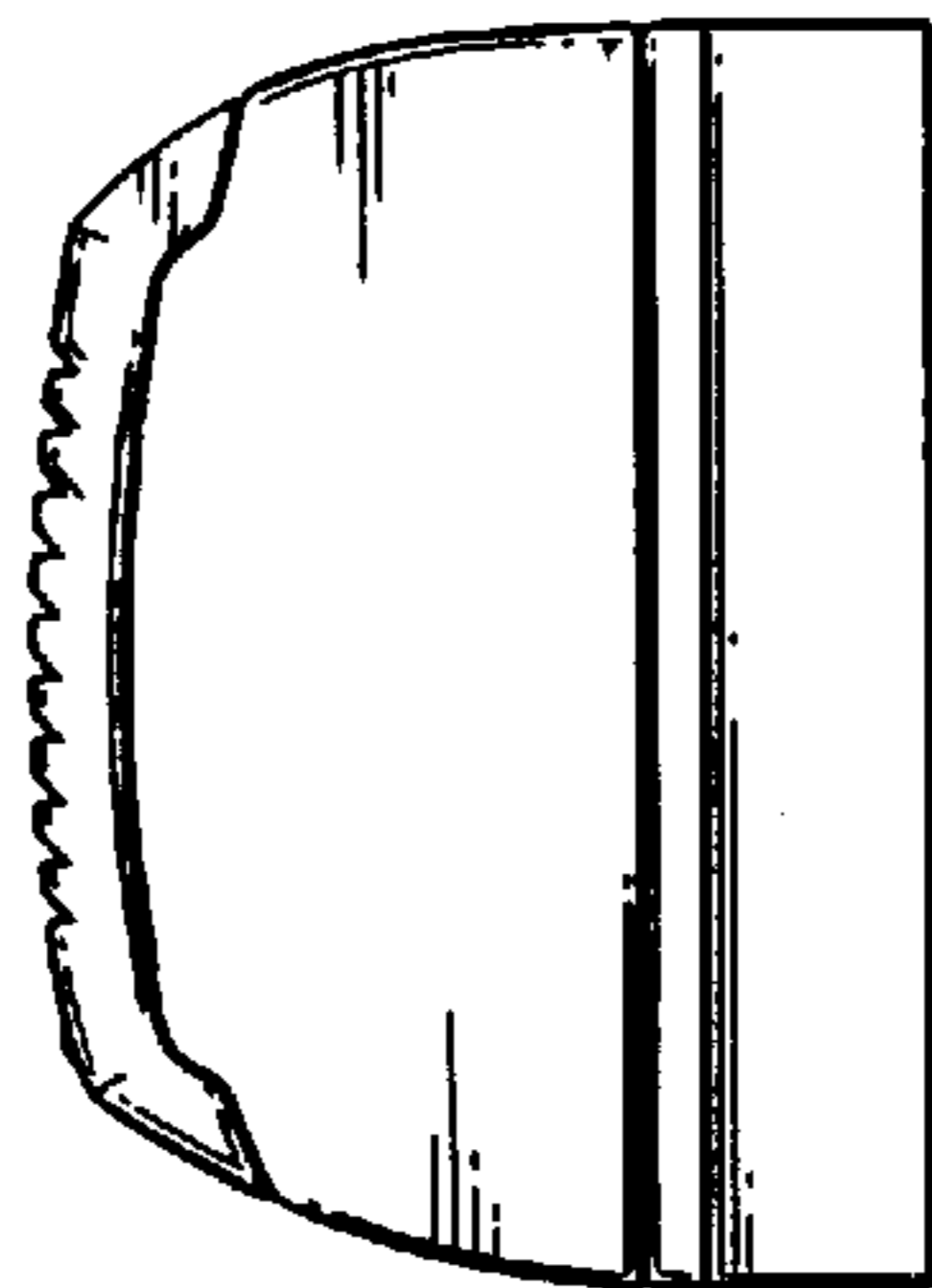


Fig. 7

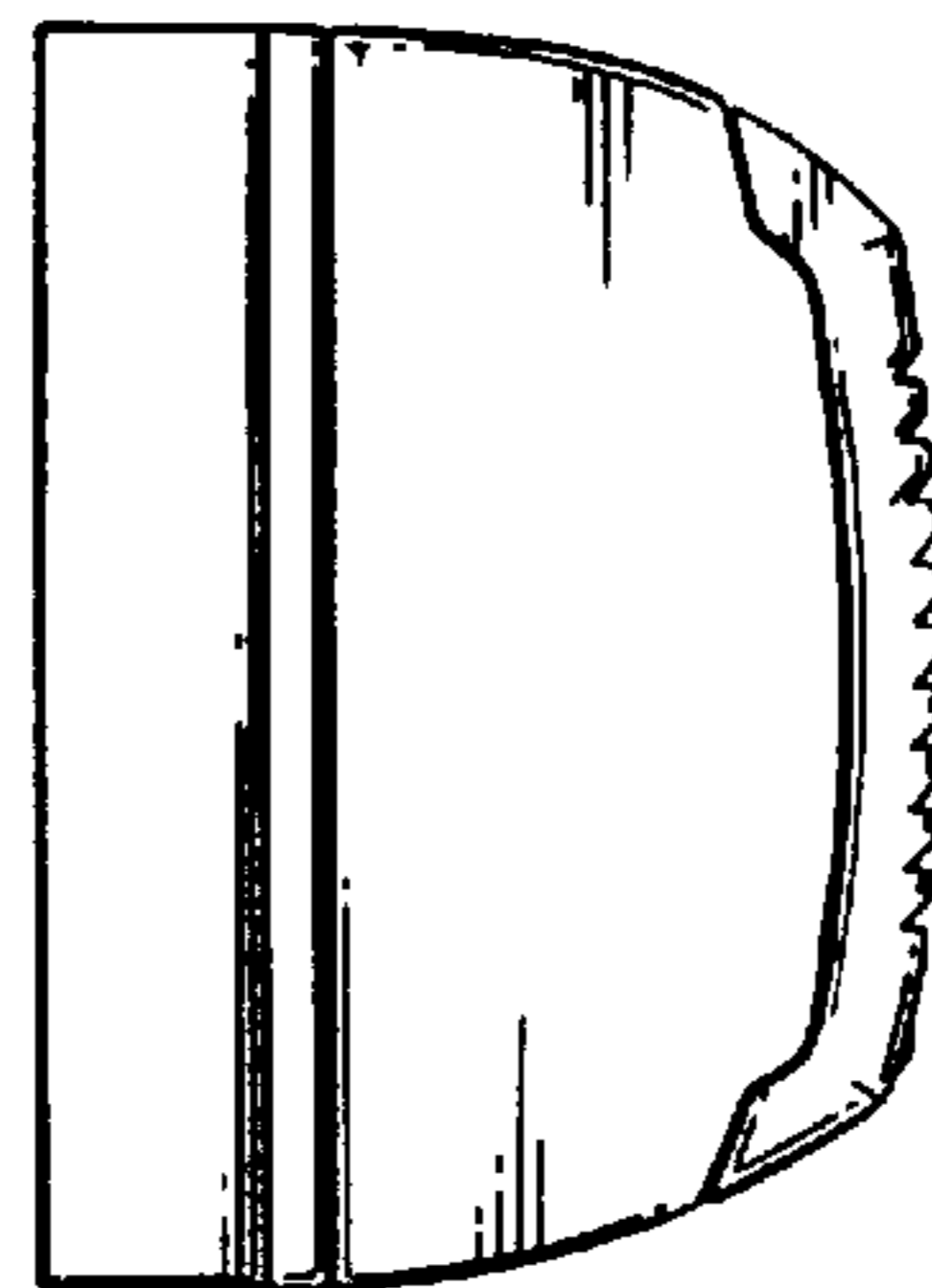
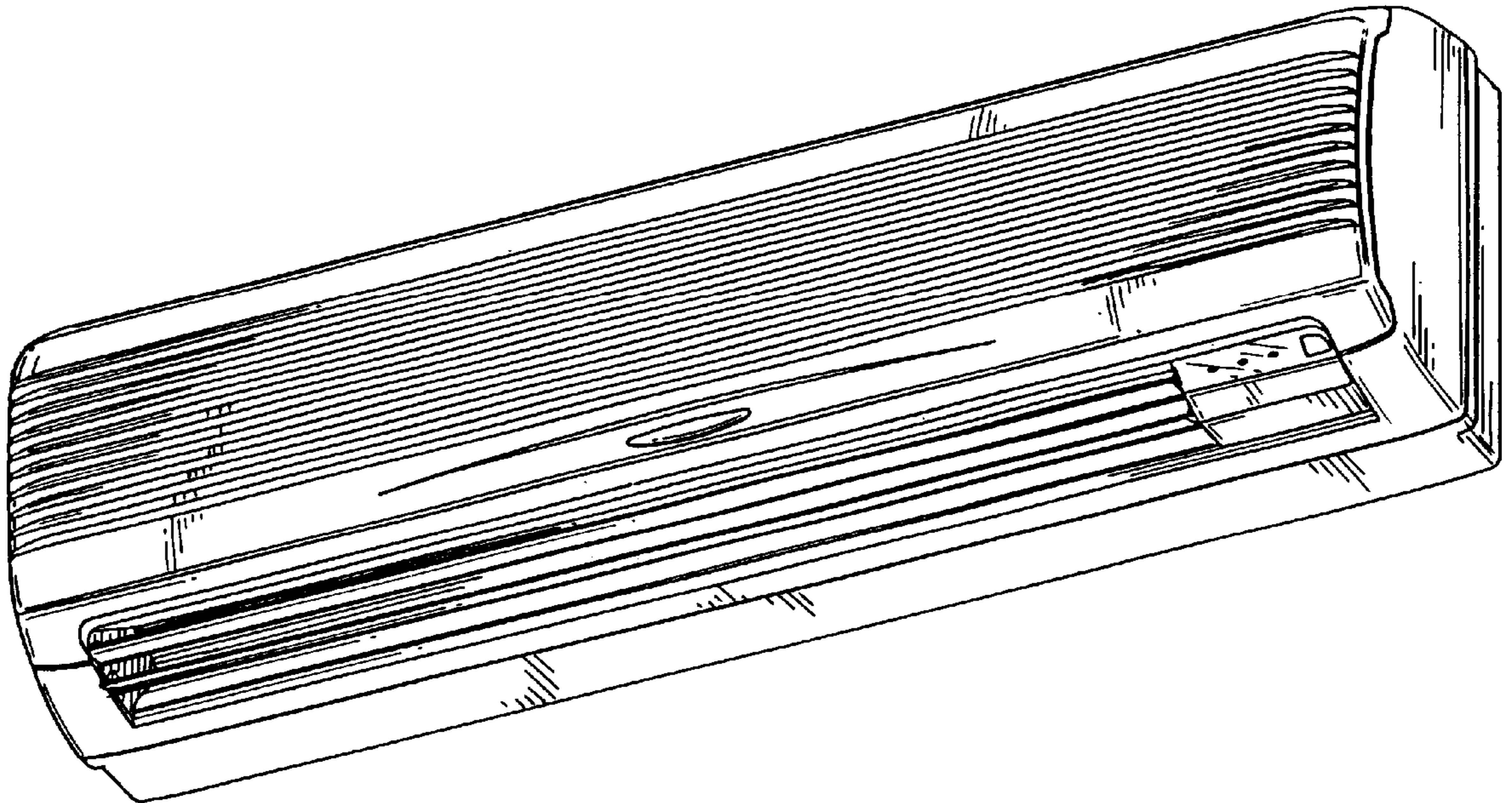


Fig. 8



UNITED STATES PATENT AND TRADEMARK OFFICE
CERTIFICATE OF CORRECTION

PATENT NO. : Des. 451,586 S
DATED : December 4, 2001
INVENTOR(S) : Hiroshi Oya et al.

Page 1 of 1

It is certified that error appears in the above-identified patent and that said Letters Patent is hereby corrected as shown below:

Title page,

Item [30], **Foreign Application Priority Data**, "12-008023" should read
-- 2000-008023 --.

Signed and Sealed this

Twenty-sixth Day of November, 2002

Attest:



Attesting Officer

JAMES E. ROGAN
Director of the United States Patent and Trademark Office