



US00D451581B1

(12) **United States Design Patent**  
**Shanklin et al.**

(10) **Patent No.:** **US D451,581 S**

(45) **Date of Patent:** **\*\* Dec. 4, 2001**

(54) **HOSE END SPRAYER**

(75) Inventors: **Donald Shanklin**, Fullerton; **Ronald F. Englhard**, Mission Viejo, both of CA (US)

(73) Assignee: **Hayes Products, LLC**, Buena Park, CA (US)

(\*\*) Term: **14 Years**

(21) Appl. No.: **29/134,571**

(22) Filed: **Dec. 22, 2000**

(51) **LOC (7) Cl.** ..... **23-01**

(52) **U.S. Cl.** ..... **D23/225; D23/213**

(58) **Field of Search** ..... **D23/213, 225; 239/459, 316-318, 310; D9/434**

(56) **References Cited**

**U.S. PATENT DOCUMENTS**

- D. 319,292 \* 8/1991 Gunzel et al. .... D23/213
- D. 433,095 \* 10/2000 Beaver et al. .... D23/225
- 5,213,265 \* 5/1993 Englhard et al. .... 239/310

\* cited by examiner

*Primary Examiner*—Robin V. Taylor

(74) *Attorney, Agent, or Firm*—Knobbe, Martens, Olson & Bear, LLP

(57) **CLAIM**

The ornamental design for a hose end sprayer, as shown and described.

**DESCRIPTION**

This application is based on and claims priority to U.S. patent application No. 09/542,956, filed Apr. 3, 2000, the entire content of which is hereby expressly incorporated by reference.

FIG. 1 is a perspective view of the hose end sprayer of the present invention.

FIG. 2 is a right side elevational view thereof;

FIG. 3 is a top plan view thereof;

FIG. 4 is a bottom plan view thereof;

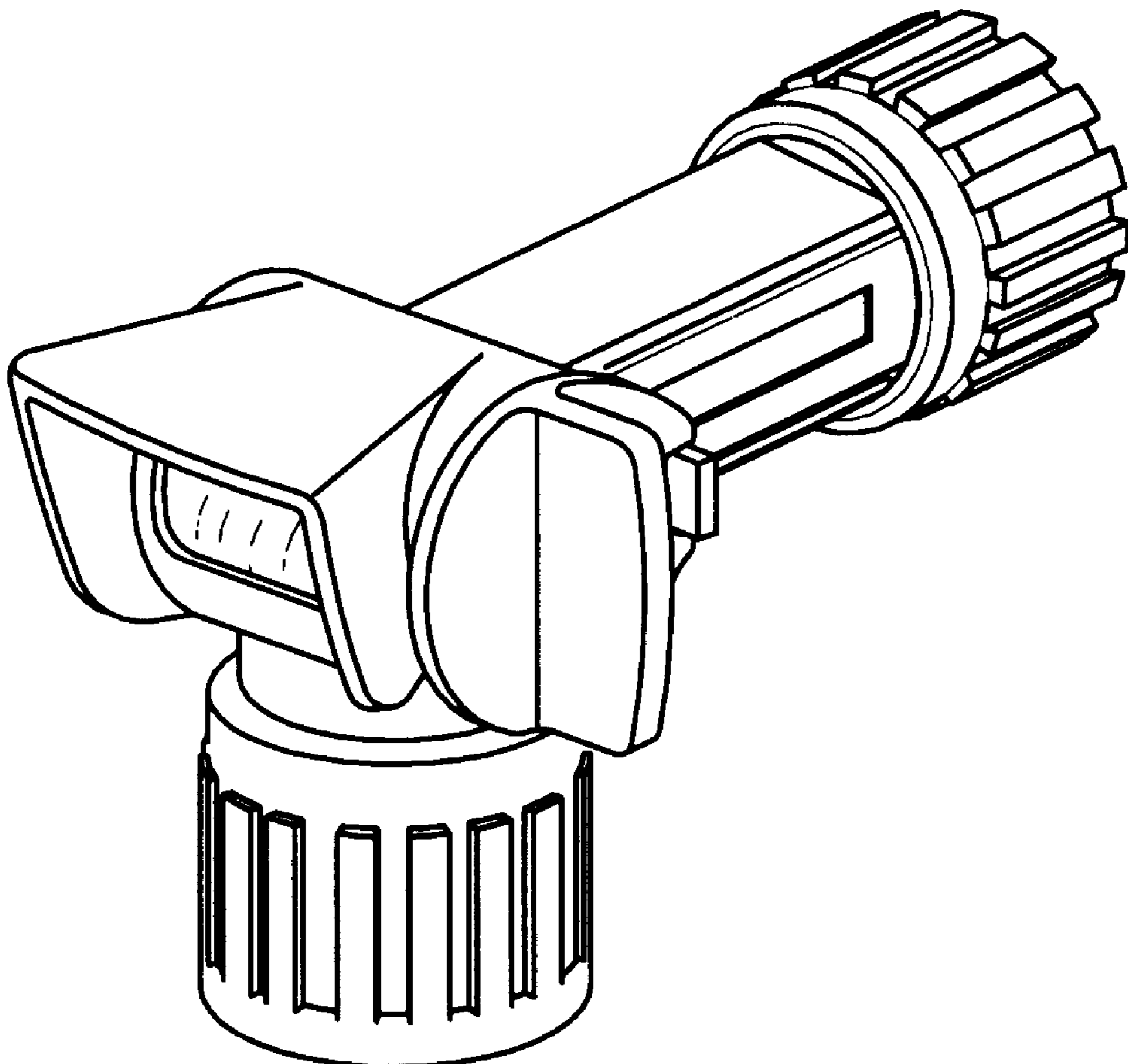
FIG. 5 is a left side elevational view thereof;

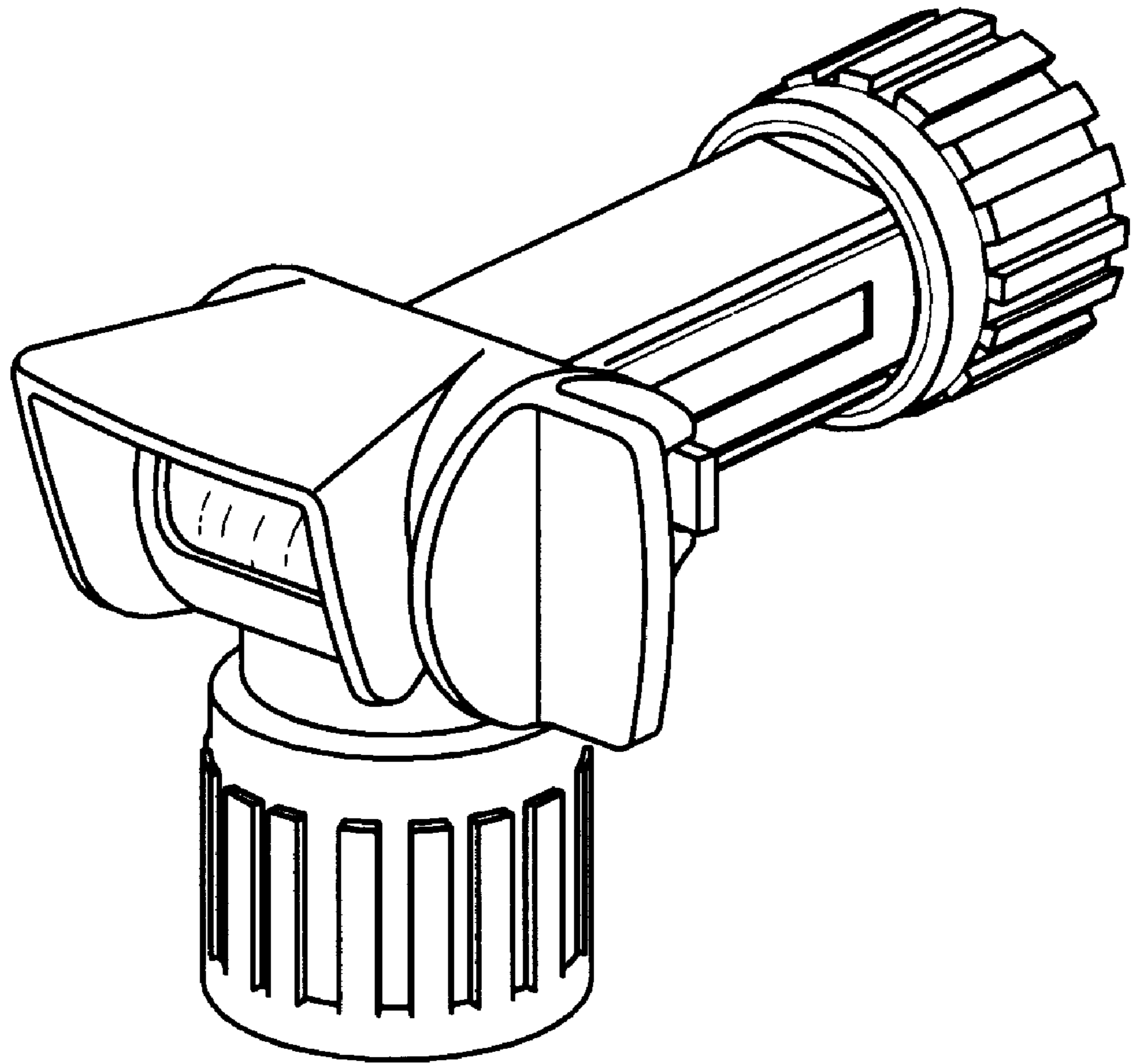
FIG. 6 is a front elevational view thereof; and,

FIG. 7 is a rear elevational view thereof.

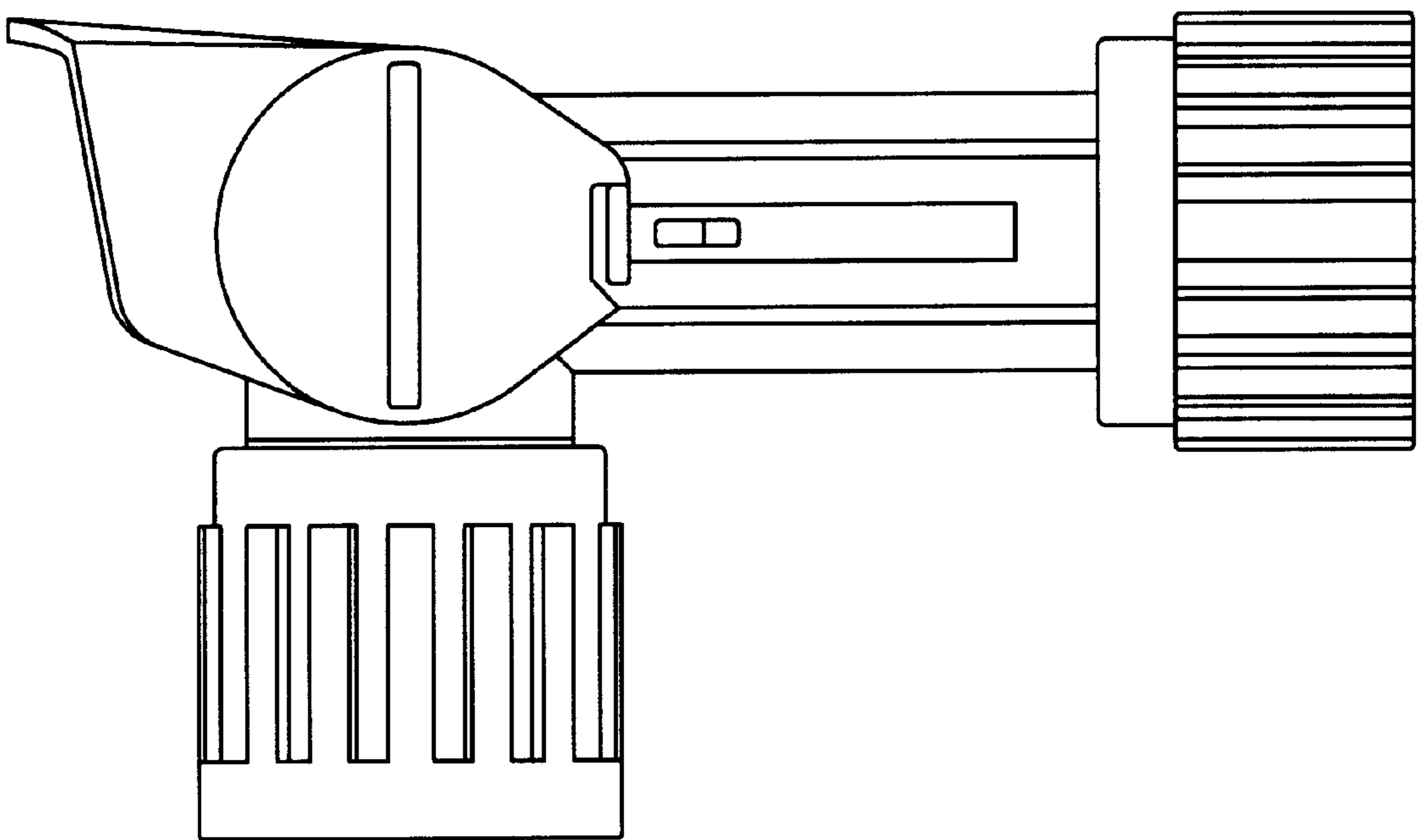
In the Figures, the broken lines are for illustrative purposes and form no part of the claimed design.

**1 Claim, 6 Drawing Sheets**

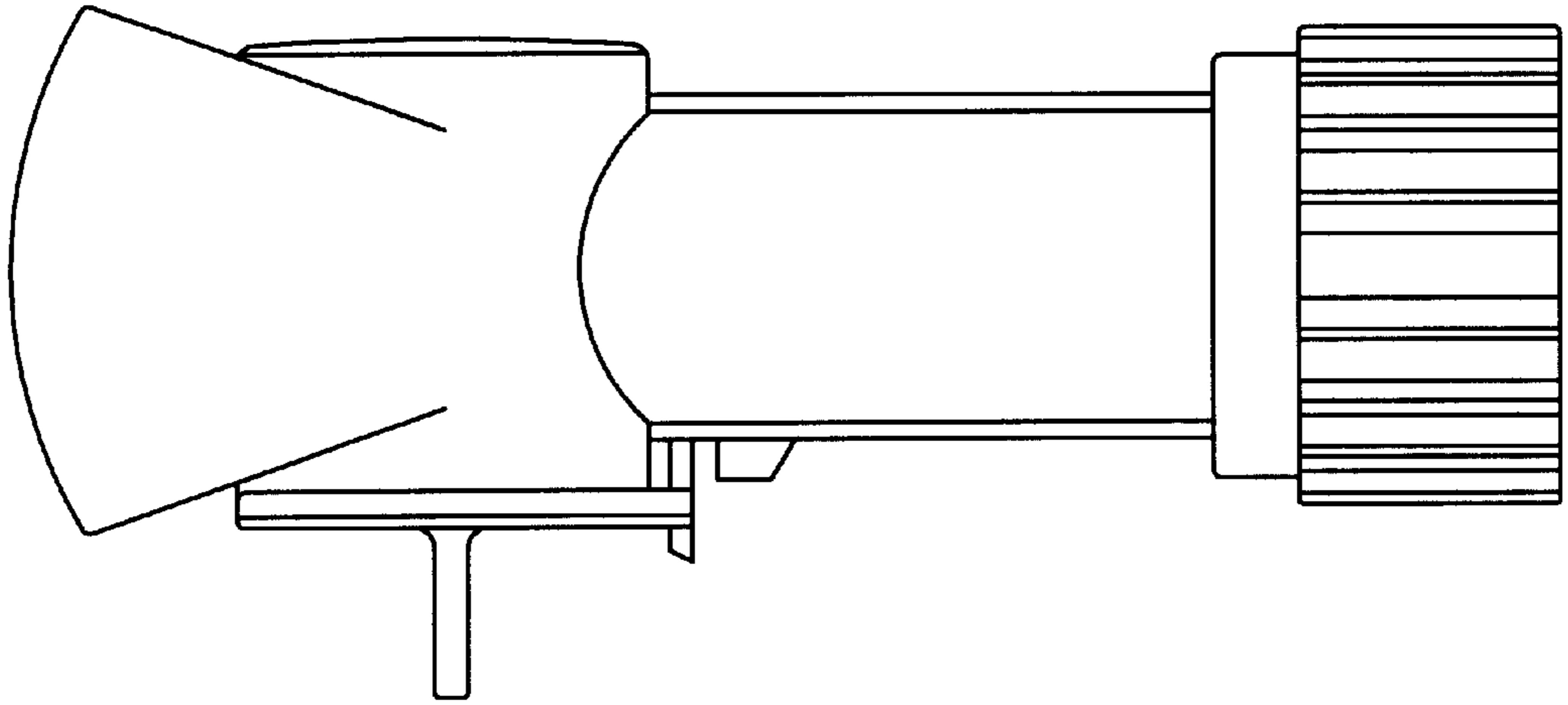




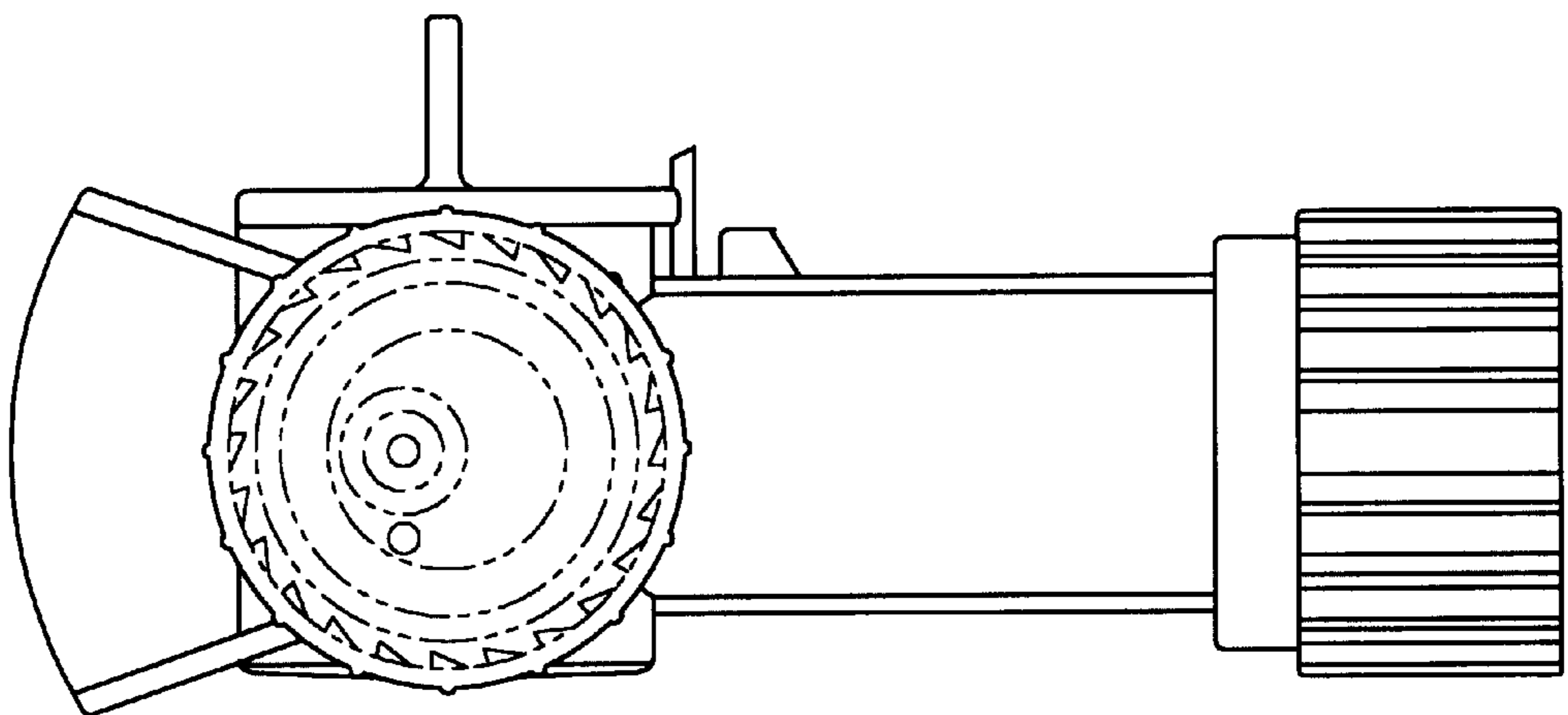
*Fig. 1*



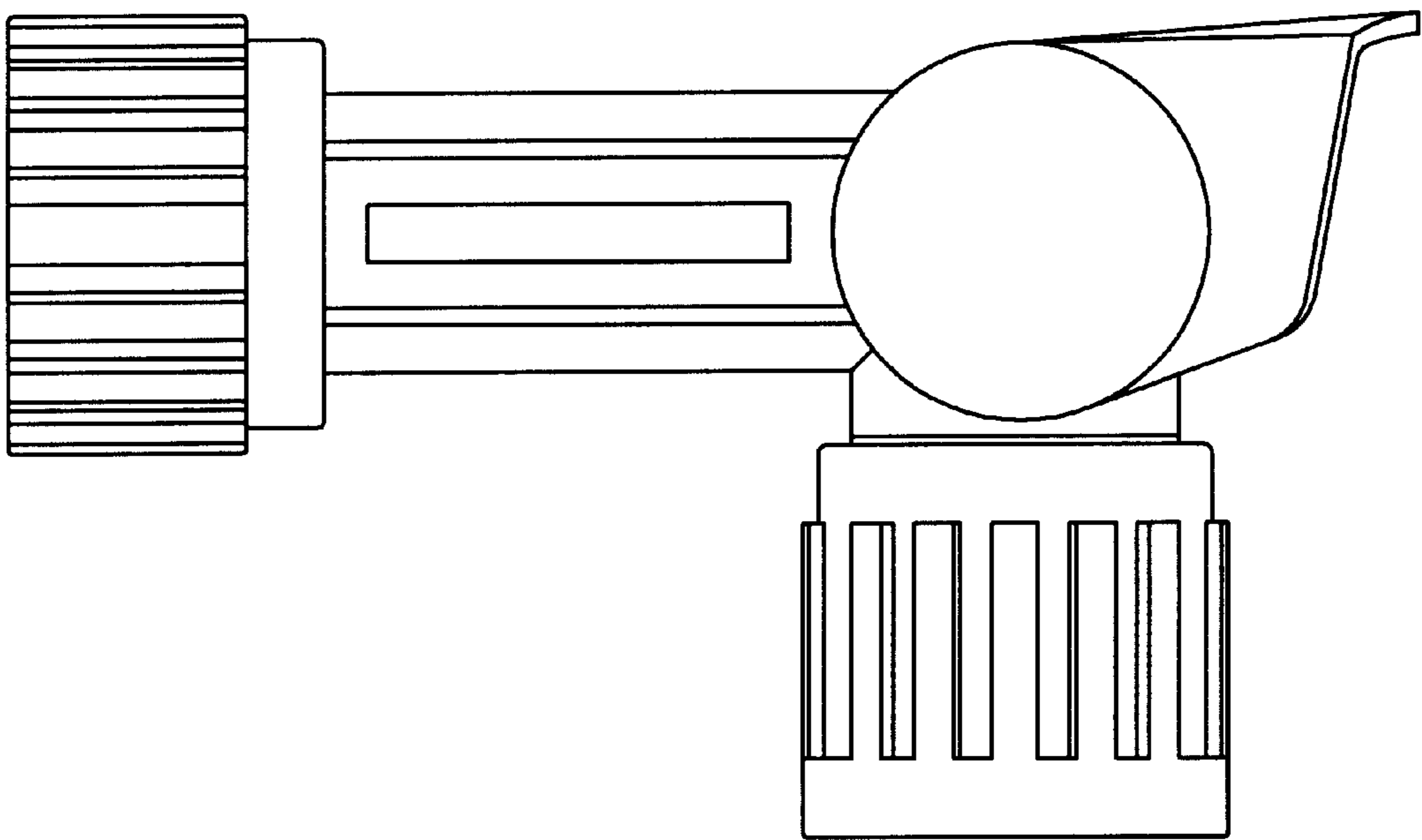
*Fig. 2*



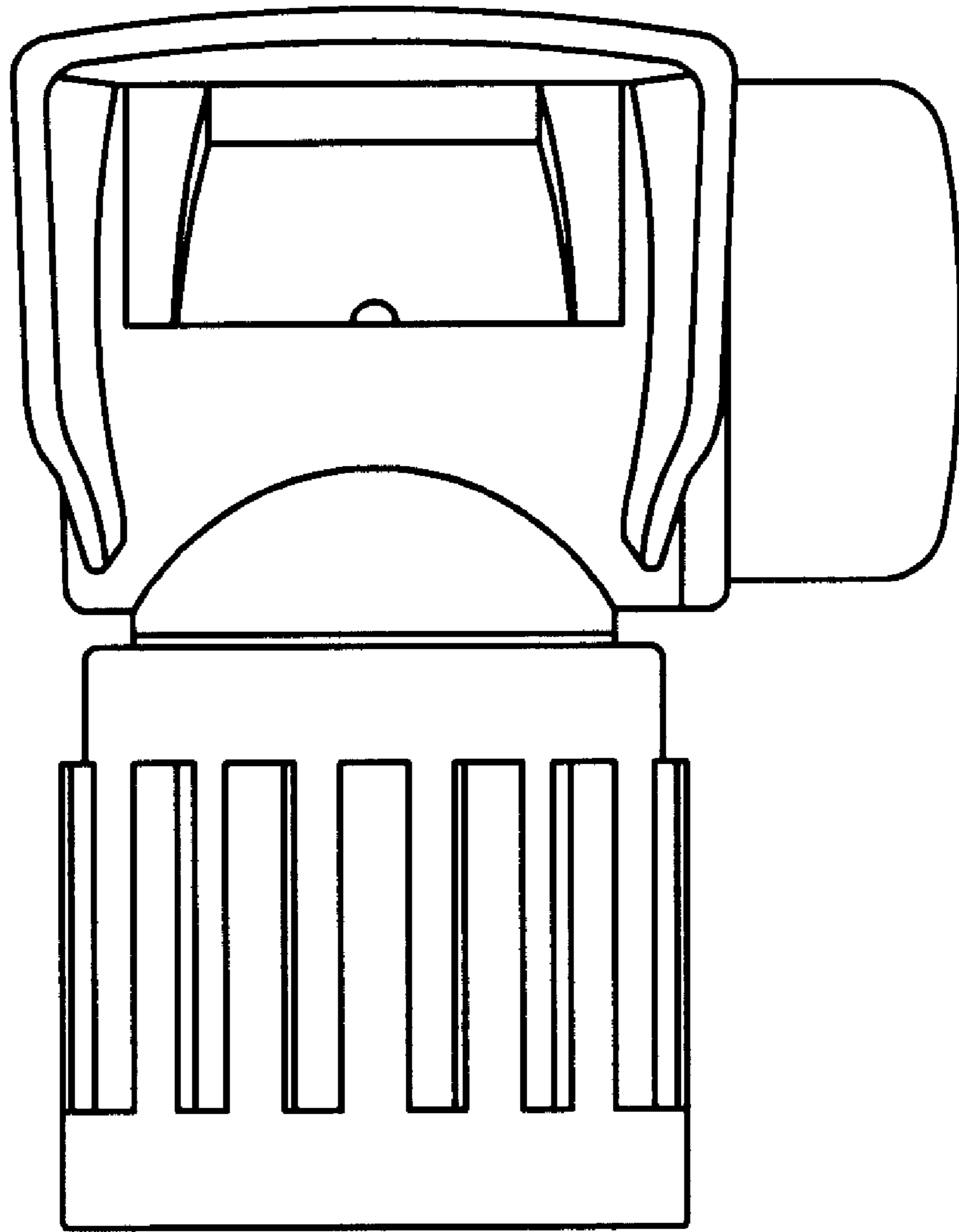
*Fig. 3*



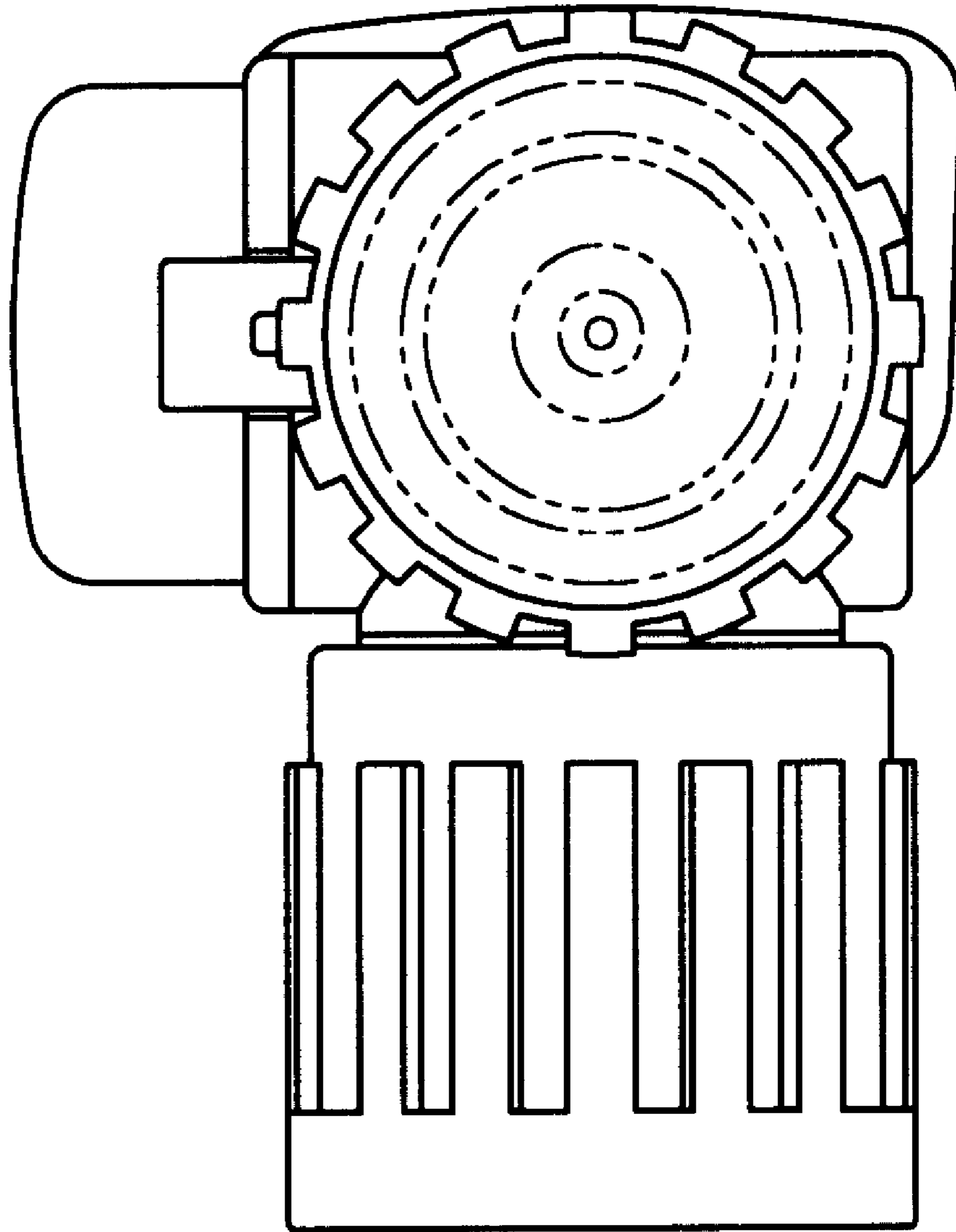
*Fig. 4*



*Fig. 5*



*Fig. 6*



*Fig. 7*