



US00D451577B1

(12) **United States Design Patent**  
**Duarte**

(10) **Patent No.:** **US D451,577 S**

(45) **Date of Patent:** **\*\* Dec. 4, 2001**

(54) **FISHING REEL**

(75) **Inventor:** **Lou Duarte**, Huntingdon Valley, PA (US)

(73) **Assignee:** **Penn Fishing Tackle Manufacturing Co**, Philadelphia, PA (US)

(\*\*) **Term:** **14 Years**

(21) **Appl. No.:** **29/137,100**

(22) **Filed:** **Feb. 12, 2001**

(51) **LOC (7) Cl.** ..... **22-05**

(52) **U.S. Cl.** ..... **D22/140**

(58) **Field of Search** ..... D22/137-142;  
43/20, 21, 21.2, 22; 242/223, 224, 234,  
311, 322, 390

(56) **References Cited**

**U.S. PATENT DOCUMENTS**

- D. 284,396 \* 6/1986 Iinuma et al. .... D22/140
- D. 348,303 \* 6/1994 Kameda et al. .... D22/140
- D. 378,277 \* 3/1997 Napolitan et al. .... D22/140 X
- D. 425,169 \* 5/2000 Iwabuchi ..... D22/140

\* cited by examiner

*Primary Examiner*—Catherine R. Oliver

(74) *Attorney, Agent, or Firm*—Frank J. Benasutti

(57) **CLAIM**

The ornamental design for a fishing reel, as shown and described.

**DESCRIPTION**

FIG. 1 is a right front perspective view of a fishing reel showing my new design;

FIG. 2 is a left front perspective view of the device shown in FIG. 1;

FIG. 3 is a rear elevation view of the device shown in FIG. 1.

FIG. 4 is a front elevation view of the device shown in FIG. 1.

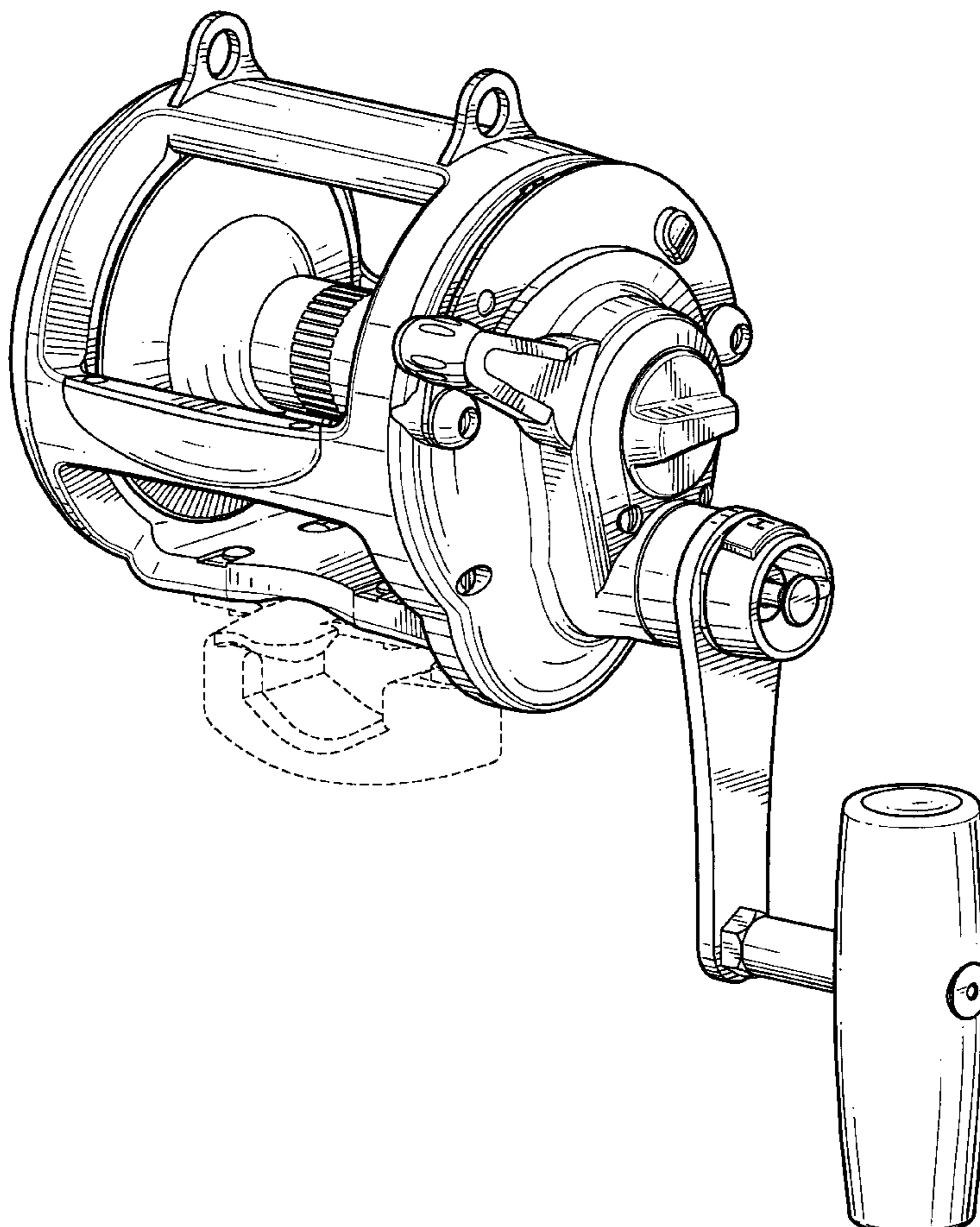
FIG. 5 is a right end elevation view of the device shown in FIG. 1.

FIG. 6 is a left end elevation view of the device shown in FIG. 1.

FIG. 7 is a top plan view of the device shown in FIG. 1; and, FIG. 8 is a bottom plan view of the device shown in FIG. 1.

The dash lines form no part of the design and are included for environmental purposes only.

**1 Claim, 7 Drawing Sheets**



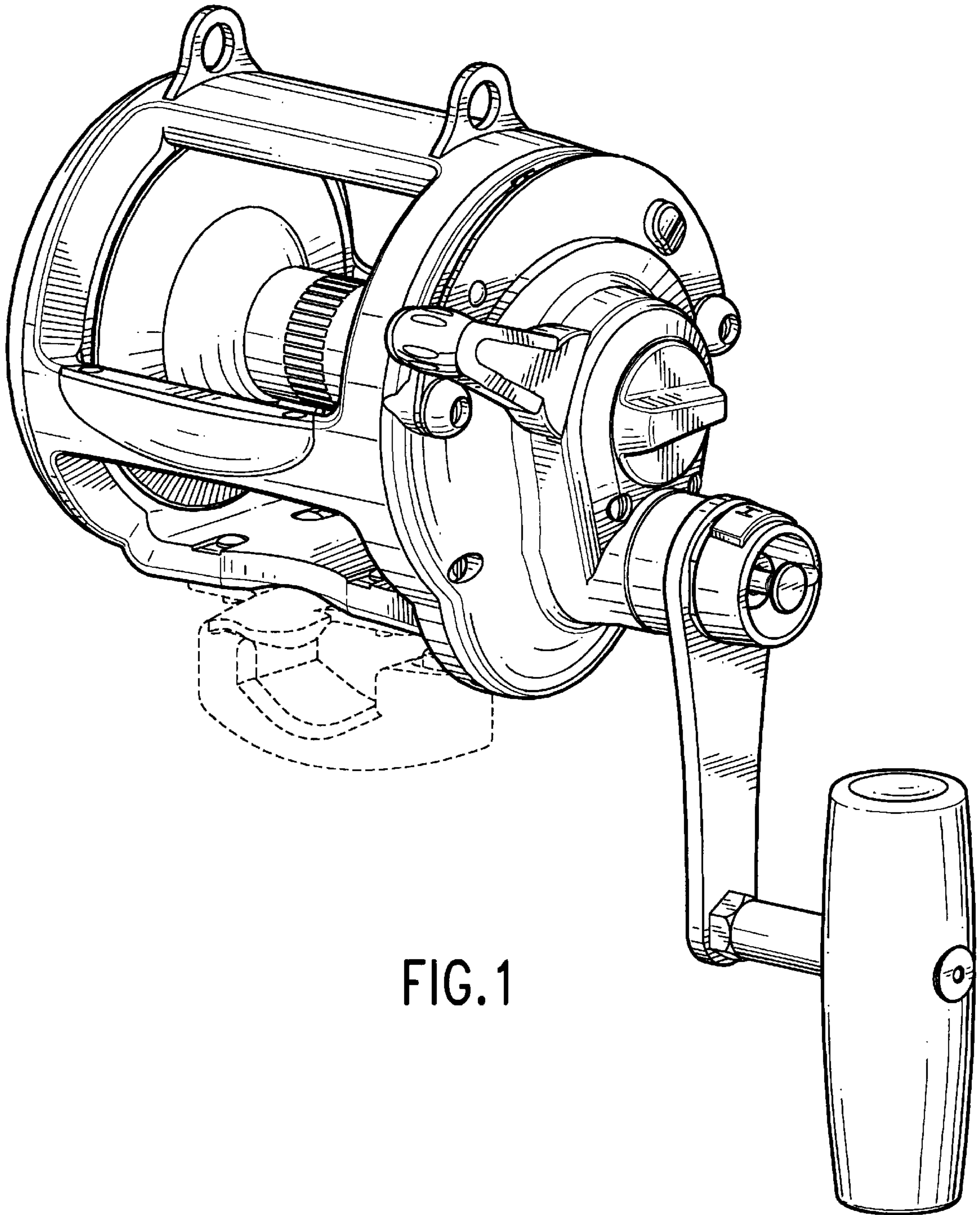


FIG. 1

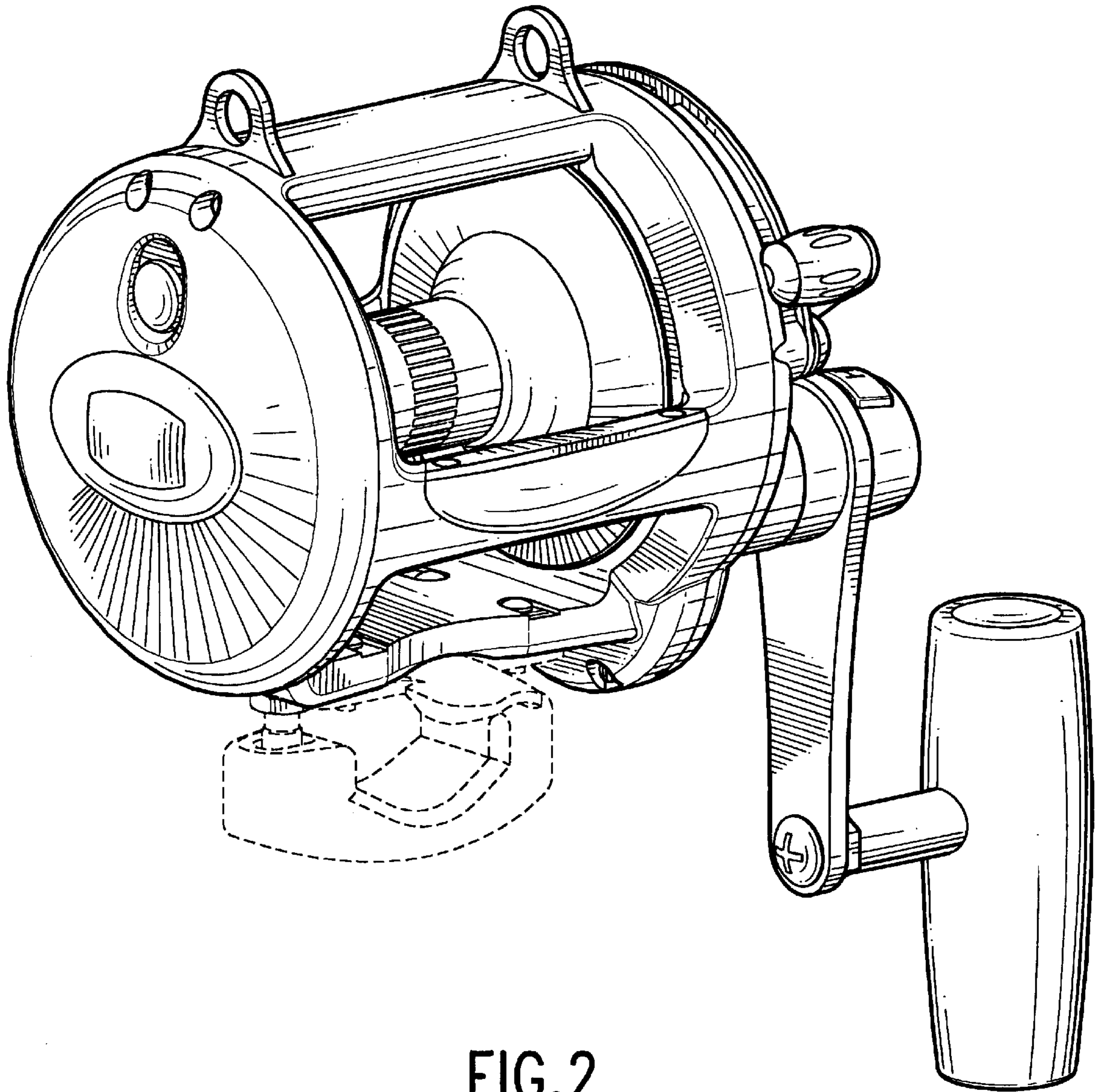


FIG.2

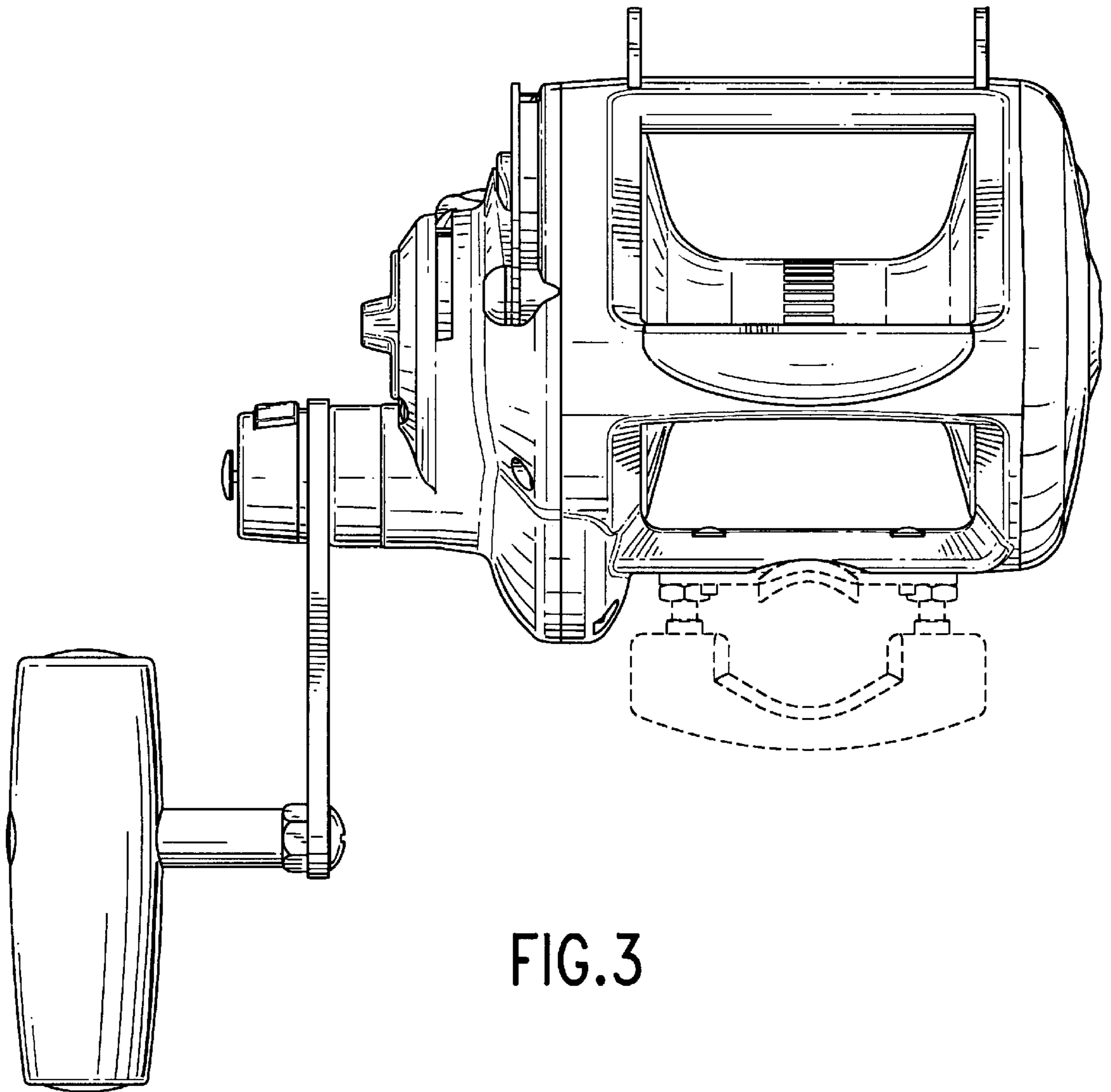


FIG. 3

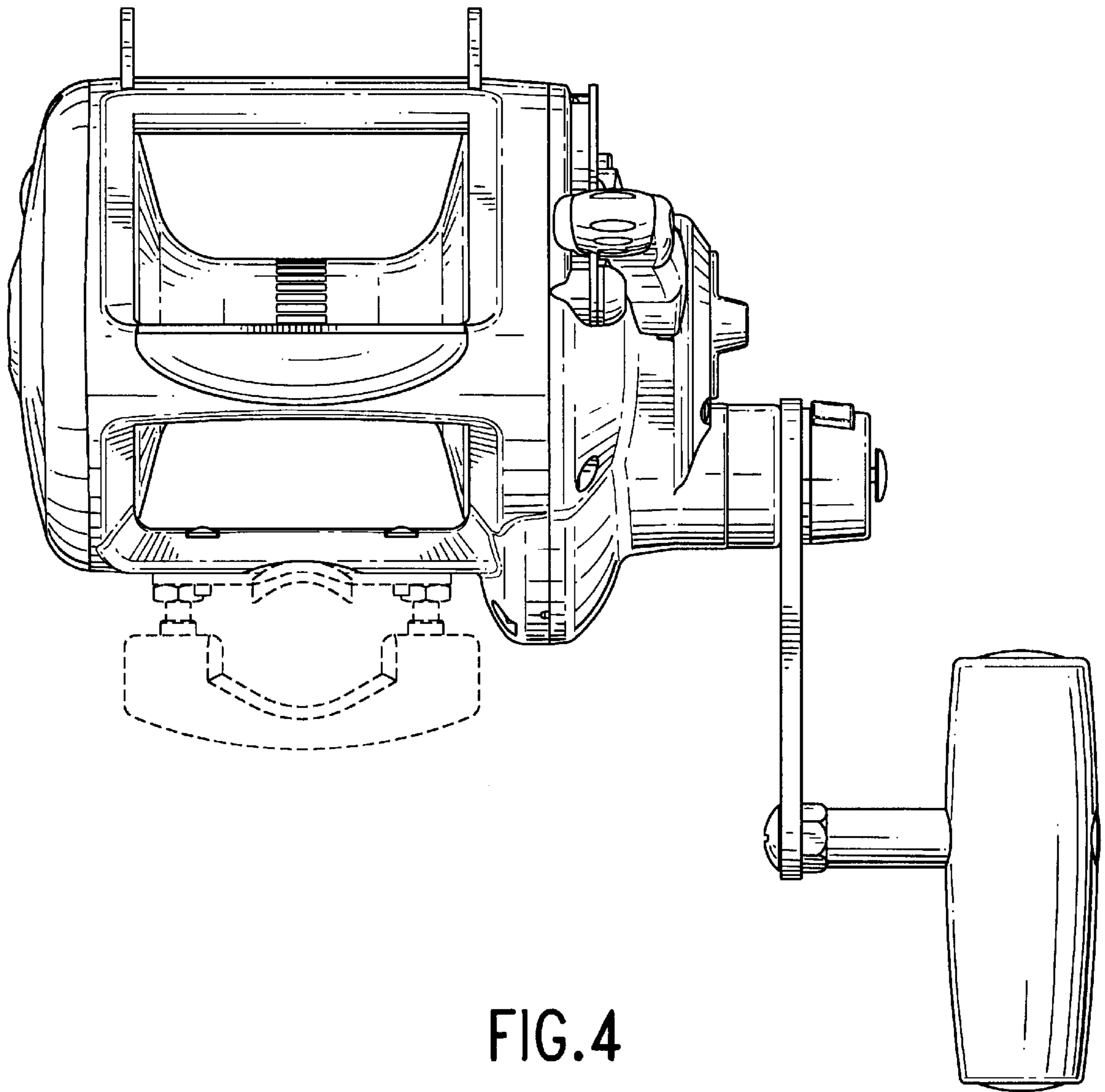


FIG.4

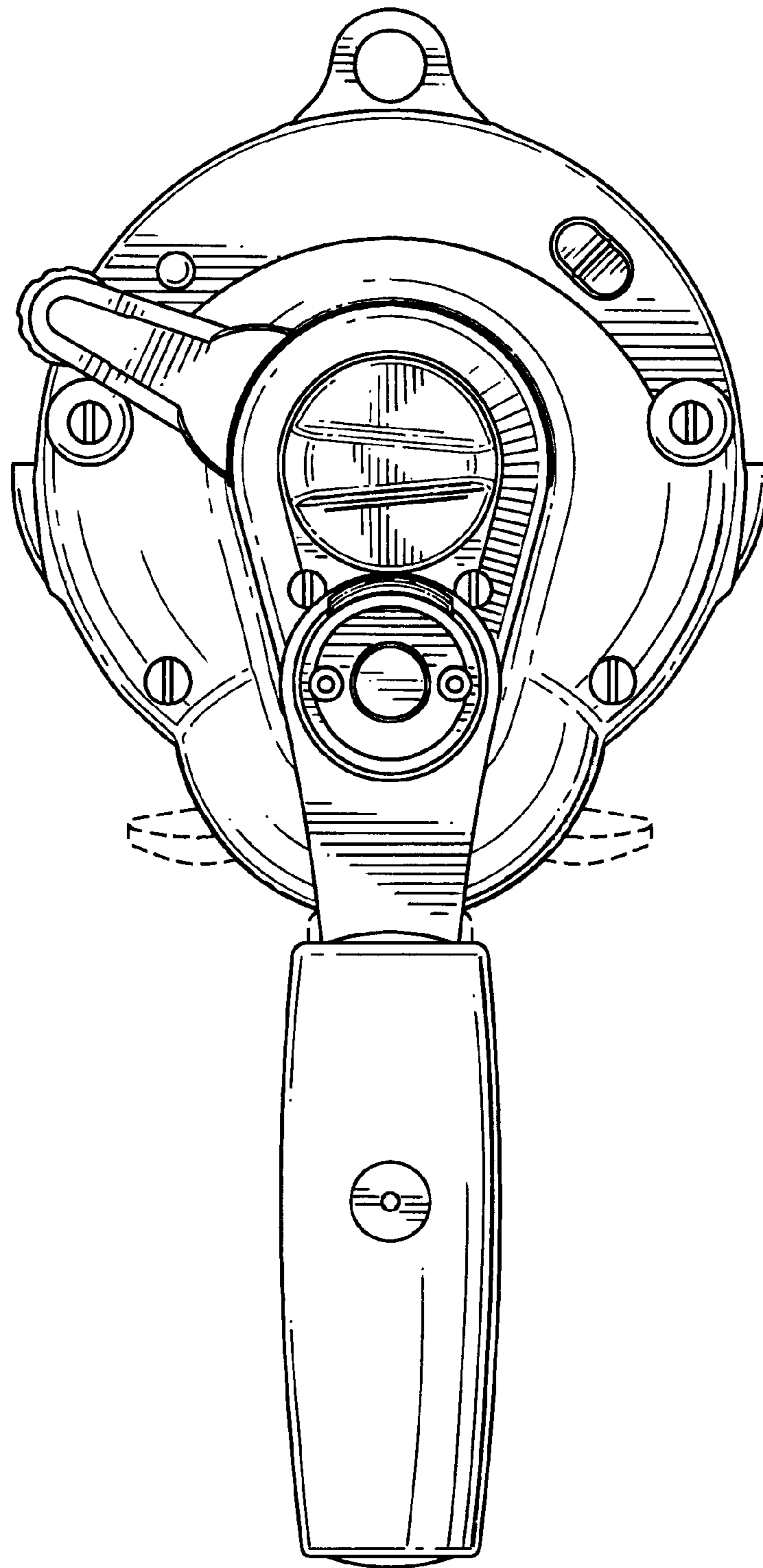


FIG. 5

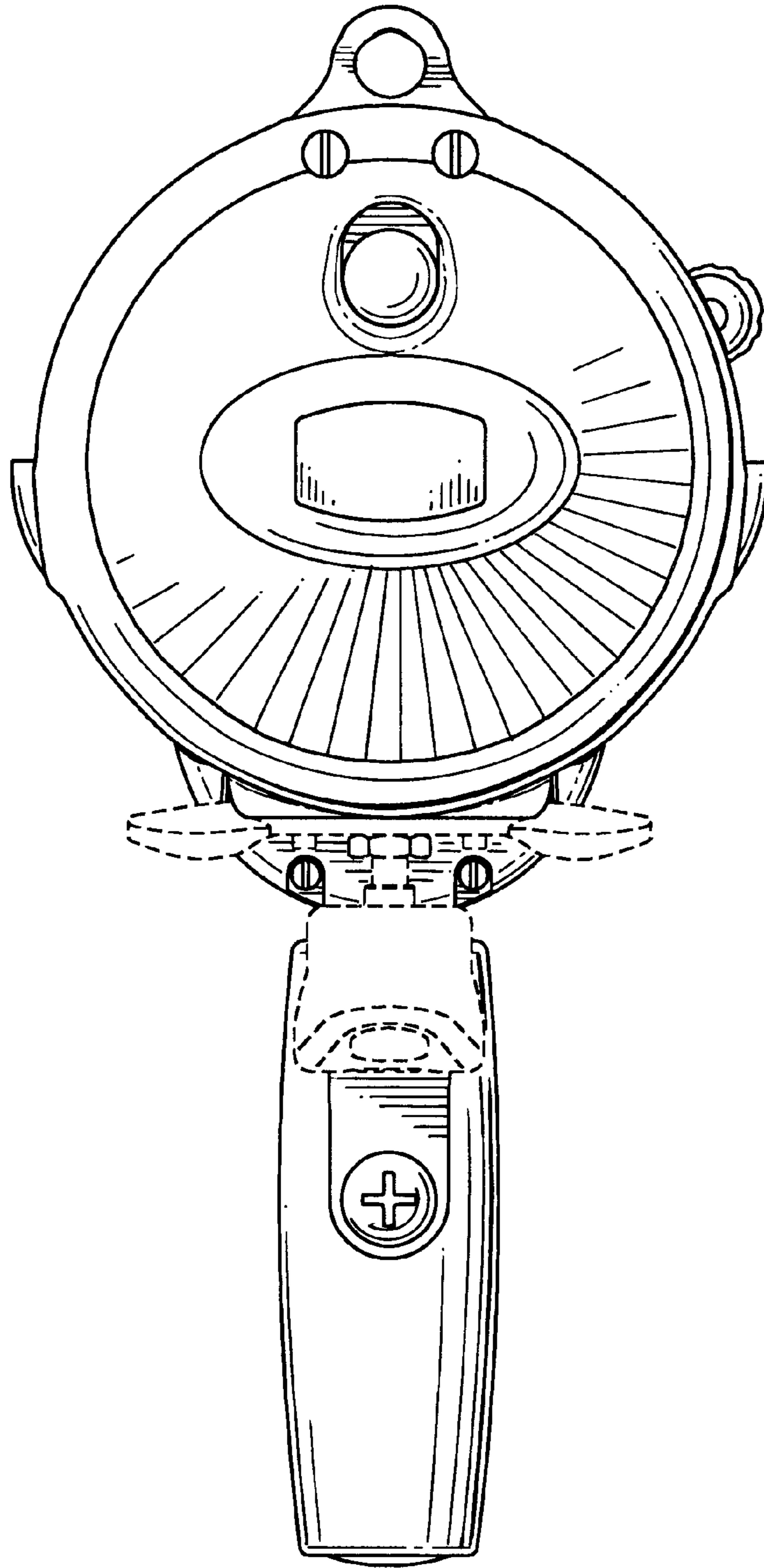


FIG.6

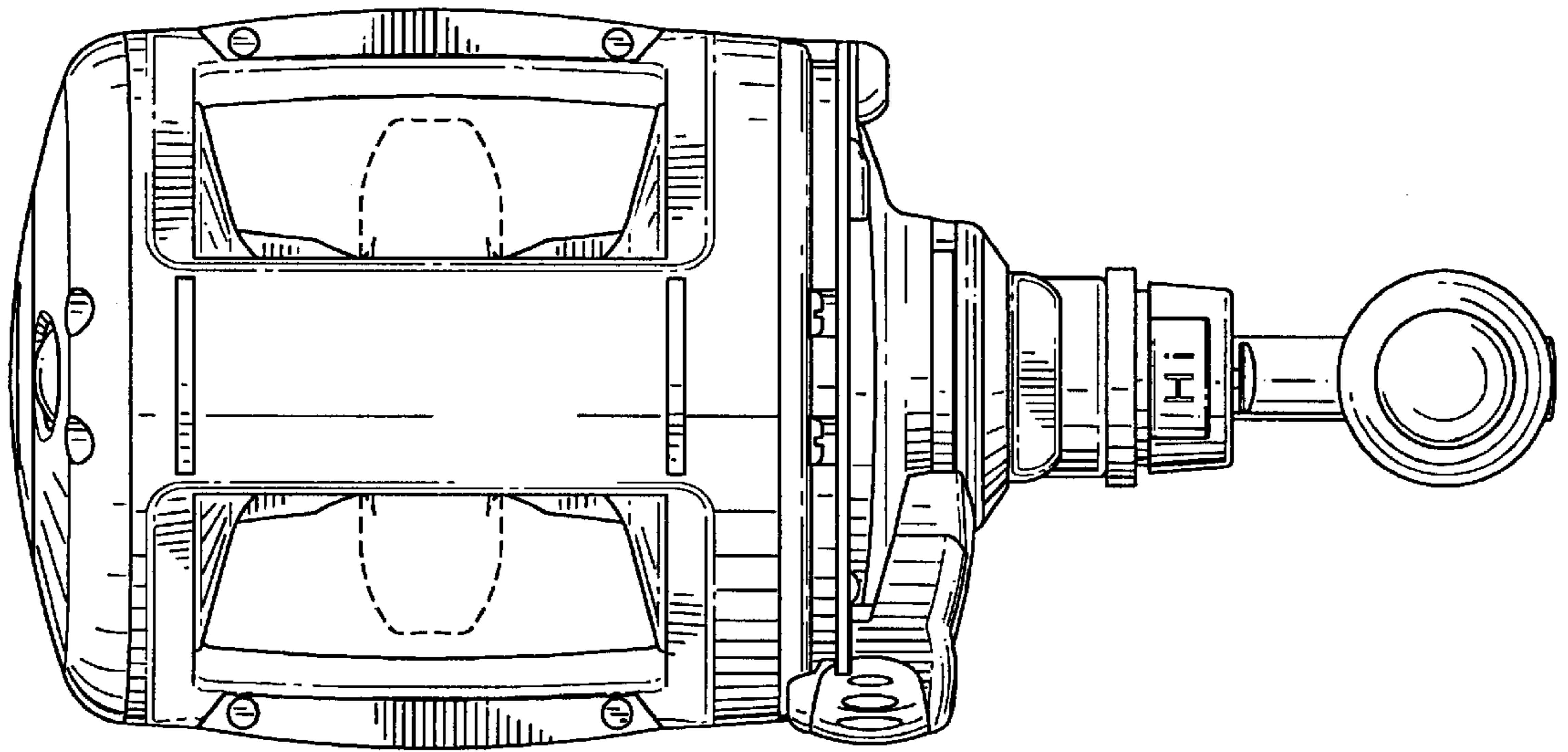


FIG. 7

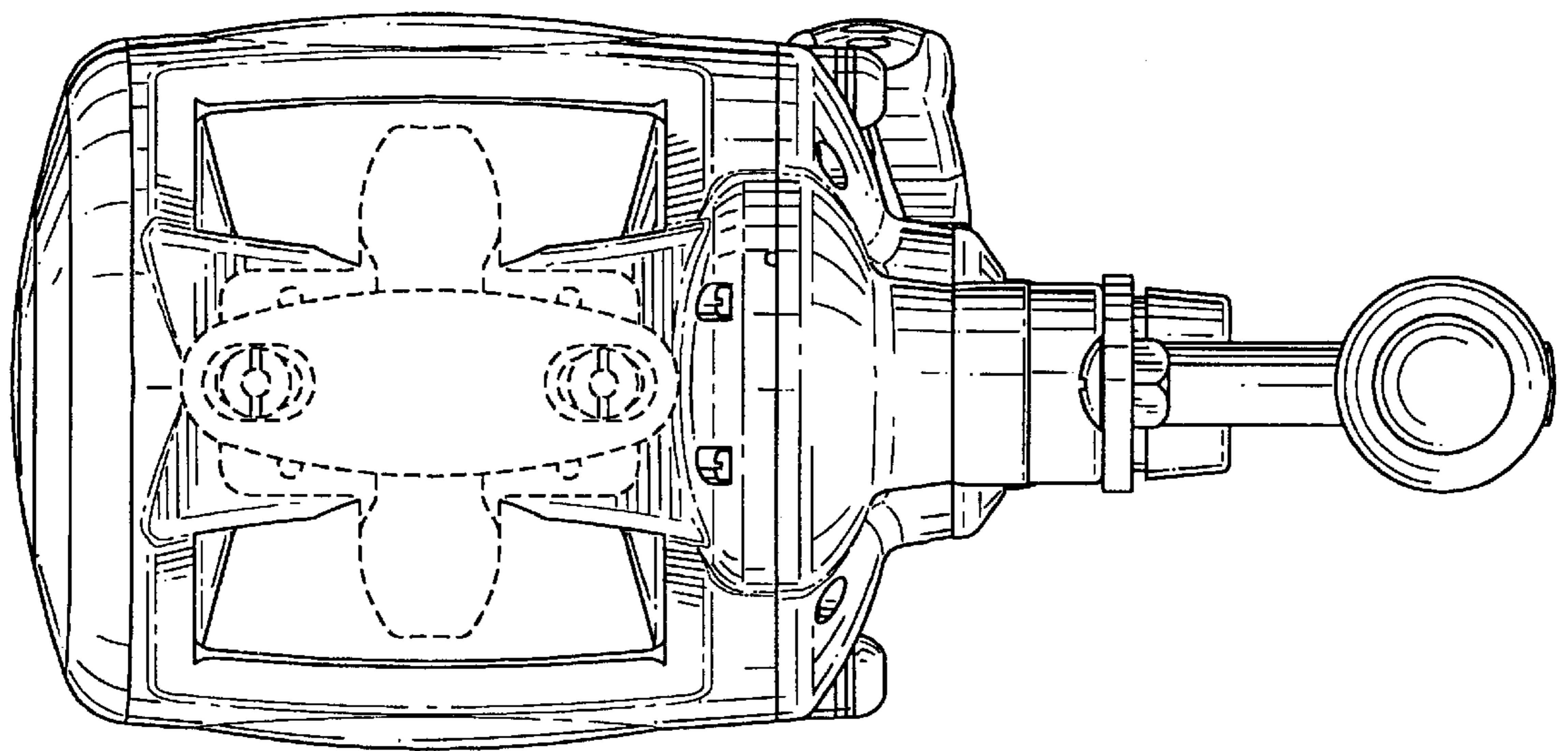


FIG. 8