



US00D451568B1

(12) **United States Design Patent**  
**Gordon**

(10) **Patent No.:** **US D451,568 S**

(45) **Date of Patent:** **\*\* Dec. 4, 2001**

(54) **INFLATABLE WEDGE FOR DIVING ONTO A WATER SLIDE**

D. 407,259 \* 3/1999 Jackson ..... D6/604  
5,409,411 \* 4/1995 Schrieber ..... 441/80

(75) Inventor: **Donald W. Gordon**, Draper, UT (US)

\* cited by examiner

(73) Assignee: **Aviva Sports, L.L.C.**, Montreal, MO (US)

*Primary Examiner*—Kay H. Chin  
(74) *Attorney, Agent, or Firm*—Mallinckrodt & Mallinckrodt; Robert R. Mallinckrodt; Brian R. Rayve

(\*\*) Term: **14 Years**

(57) **CLAIM**

(21) Appl. No.: **29/132,214**

The ornamental design for an inflatable wedge for diving onto a water slide, as shown and described.

(22) Filed: **Nov. 3, 2000**

**DESCRIPTION**

(51) **LOC (7) Cl.** ..... **21-06**

(52) **U.S. Cl.** ..... **D21/802; D21/801**

(58) **Field of Search** ..... D21/801, 802,  
D21/803, 808, 809, 810; D6/596, 601,  
604; 5/462, 601, 633, 644, 652; 441/40,  
41, 88, 66, 67, 129-131

FIG. 1 is a front and right side perspective view of an inflatable wedge for diving onto a water slide showing my new design;

FIG. 2 is a rear and left view thereof;

FIG. 3 is a right-side elevational view thereof;

FIG. 4 is a left-side elevational view thereof;

FIG. 5 is a top plan view thereof;

FIG. 6 is a bottom plan view thereof;

FIG. 7 is a front elevational view thereof; and,

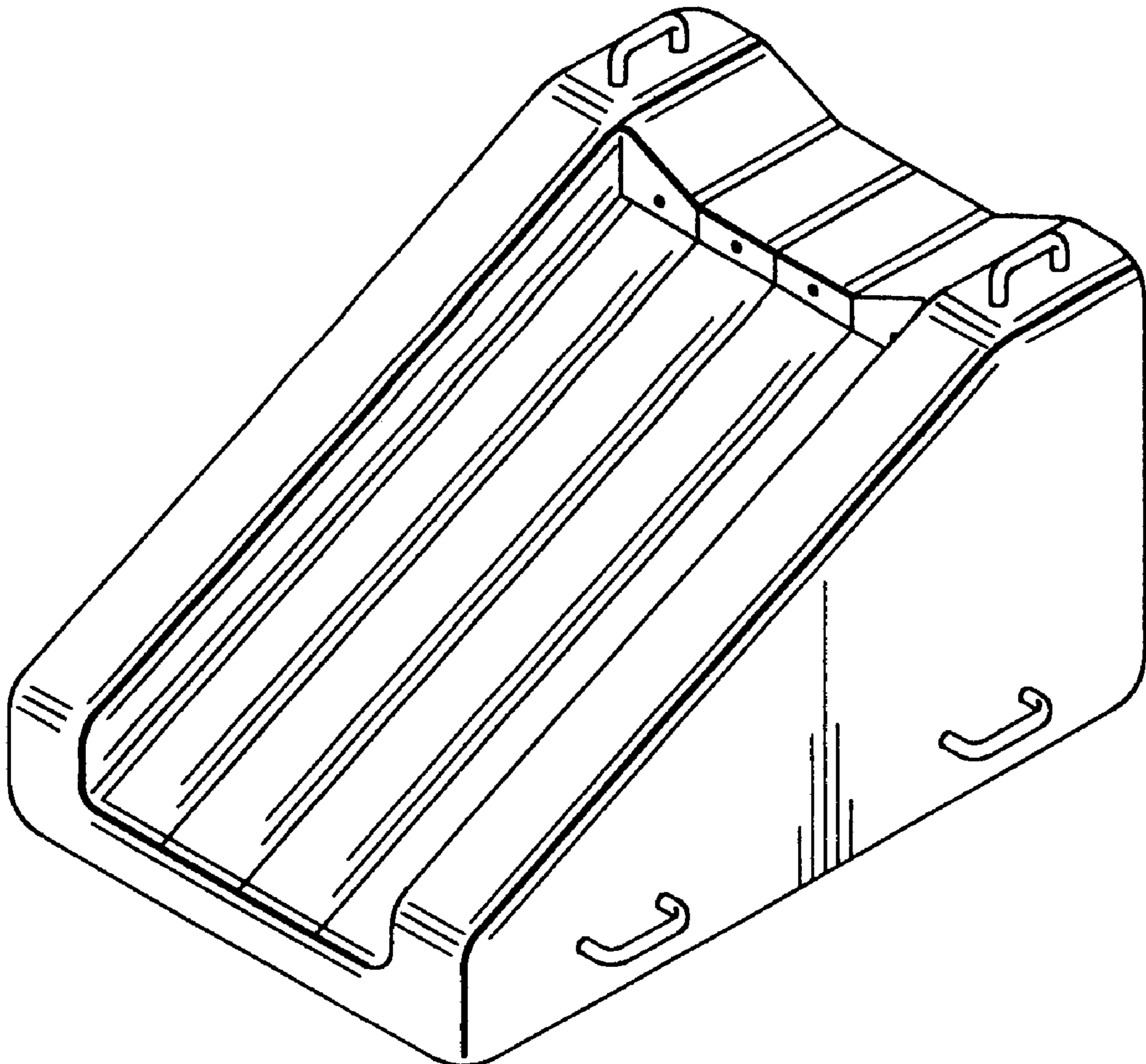
FIG. 8 is a rear elevational view thereof.

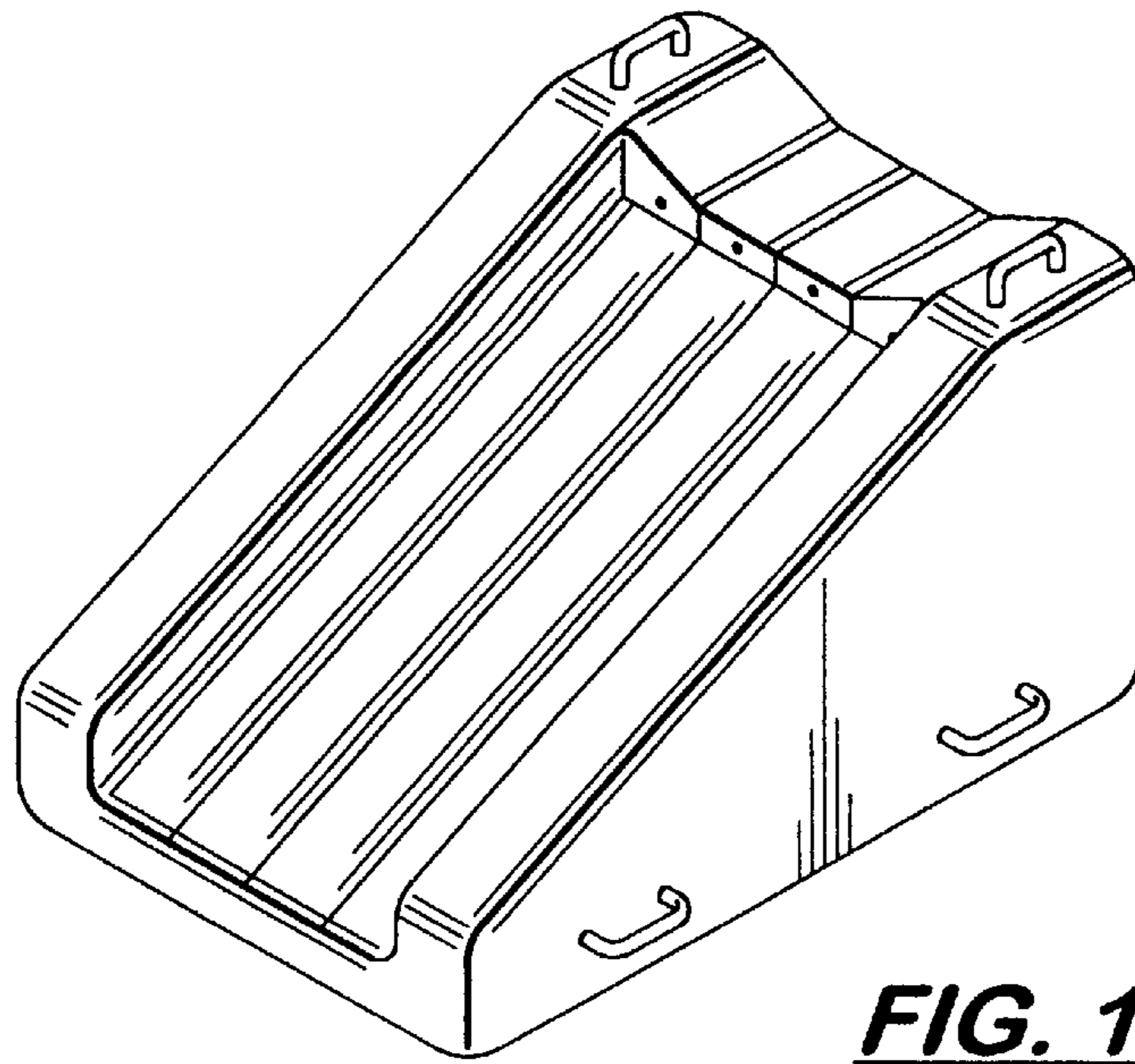
(56) **References Cited**

**U.S. PATENT DOCUMENTS**

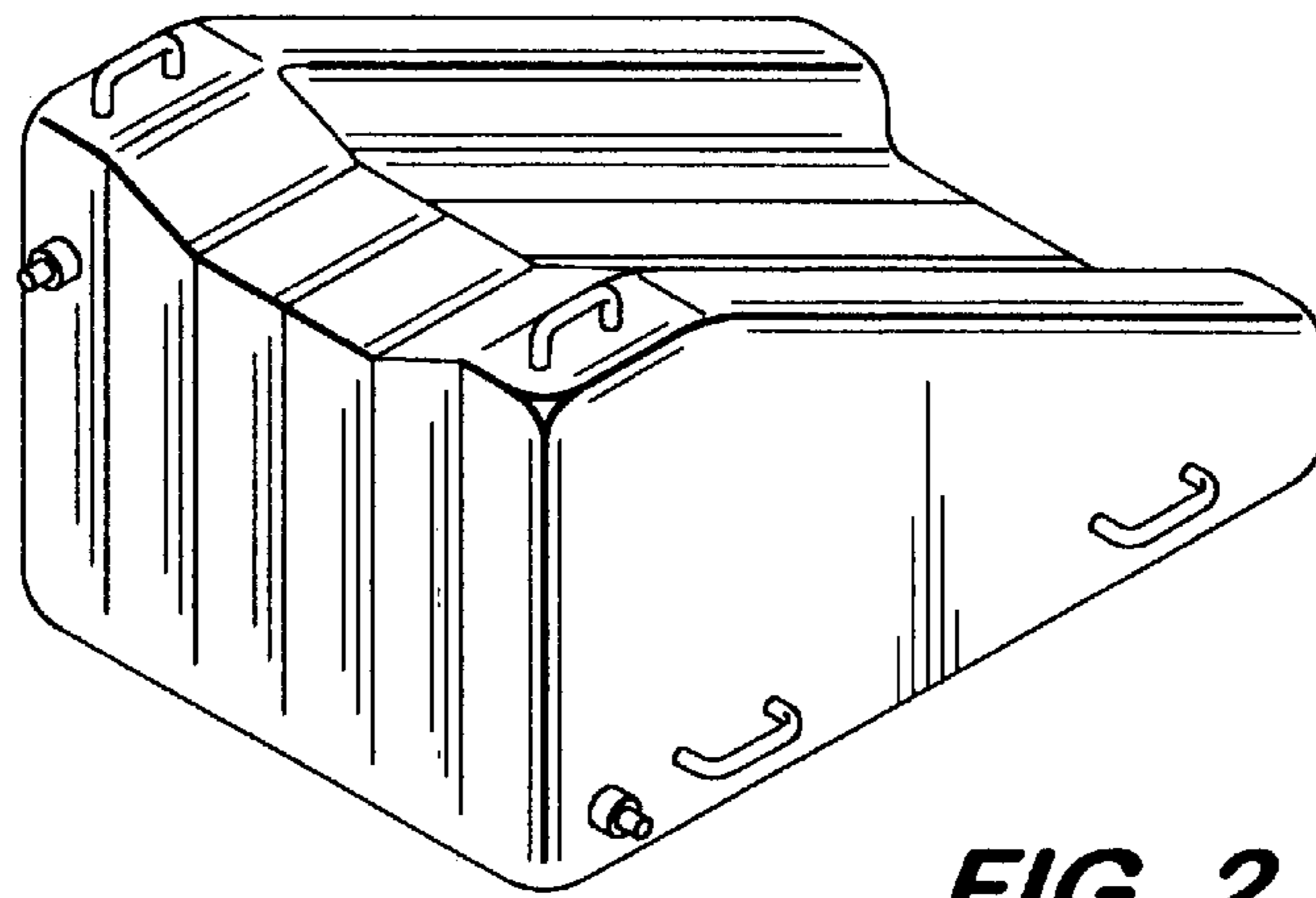
D. 327,198 \* 6/1992 Erker, Jr. et al. .... D6/601  
D. 375,989 \* 11/1996 Jacobs ..... D21/809

**1 Claim, 2 Drawing Sheets**

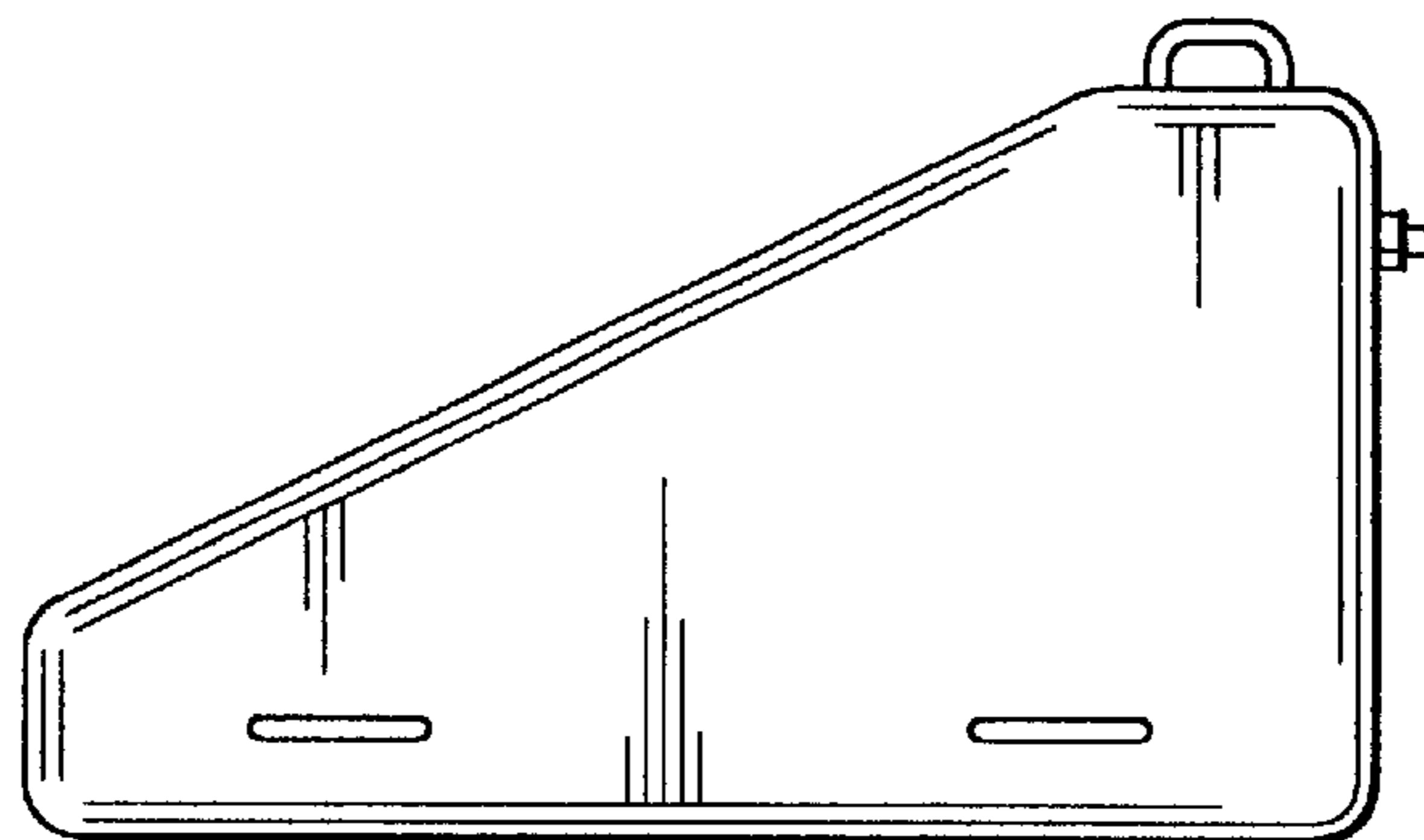




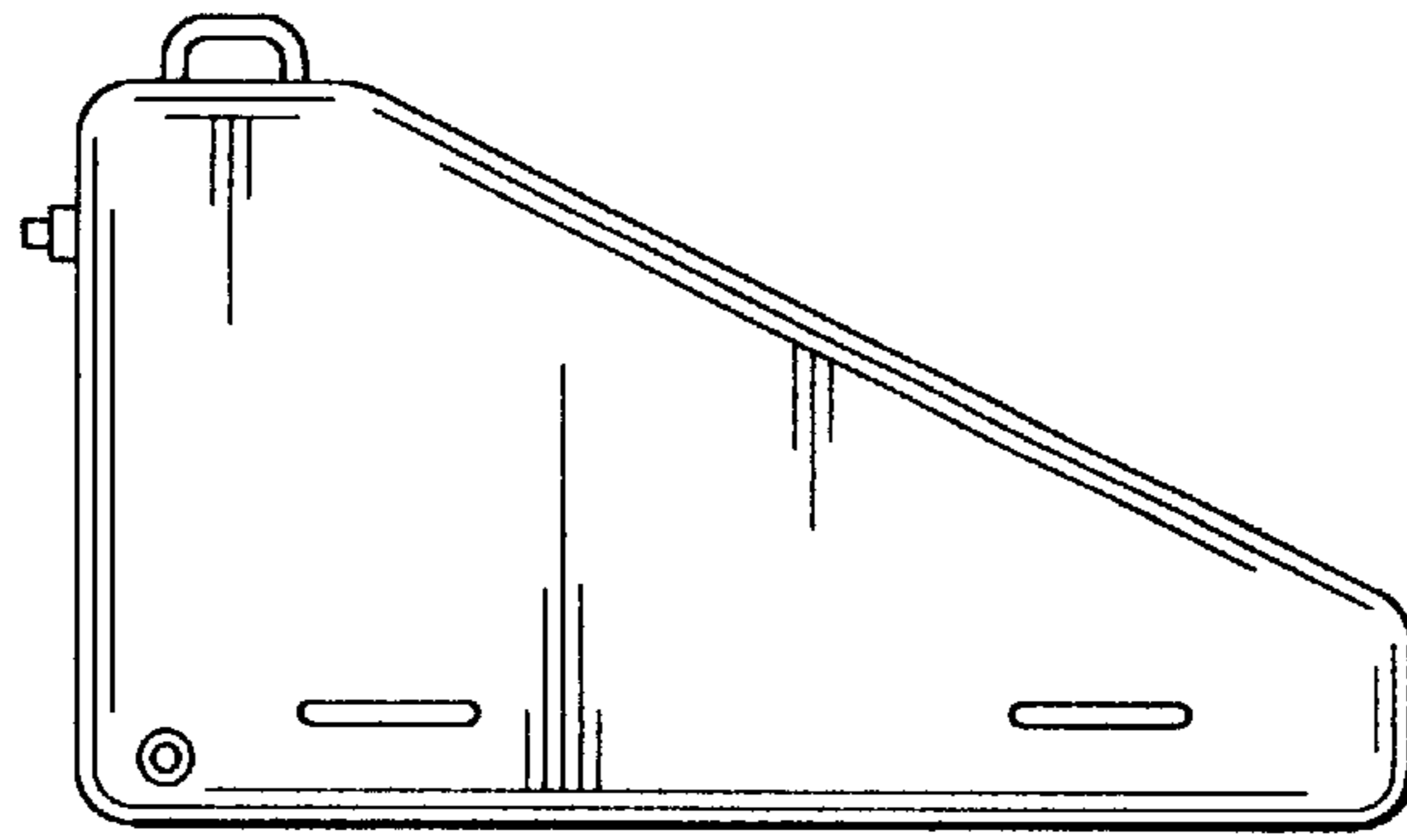
**FIG. 1**



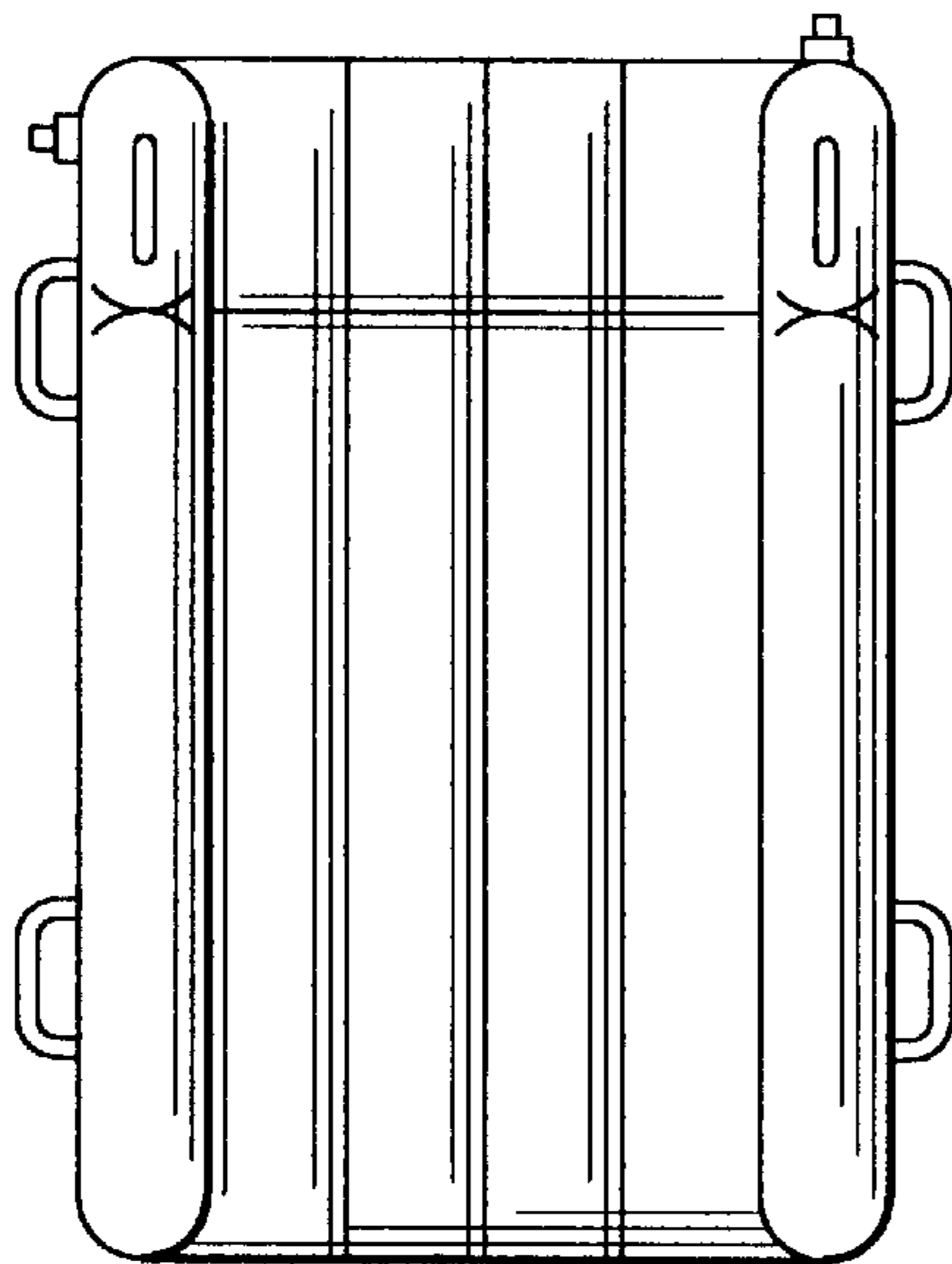
**FIG. 2**



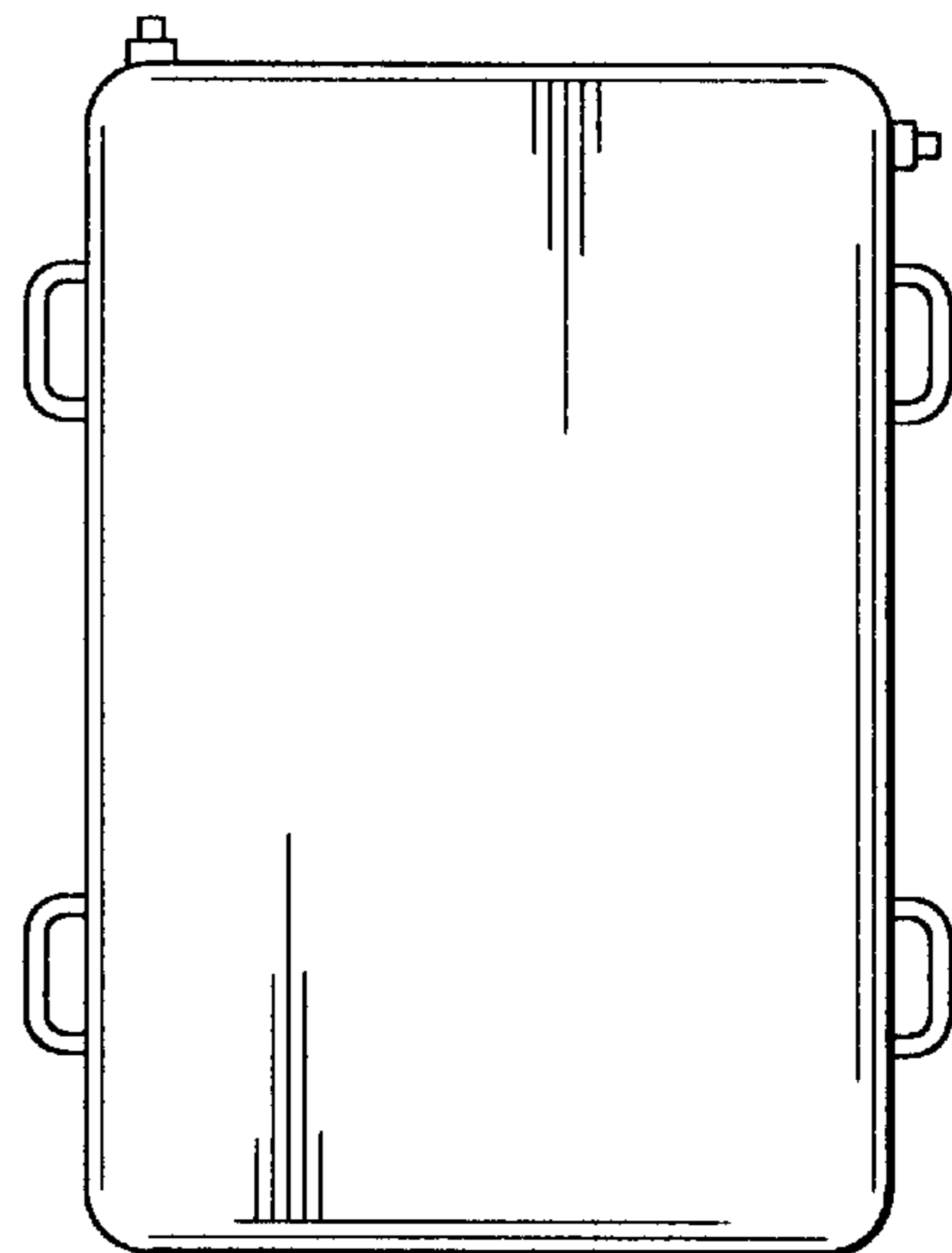
**FIG. 3**



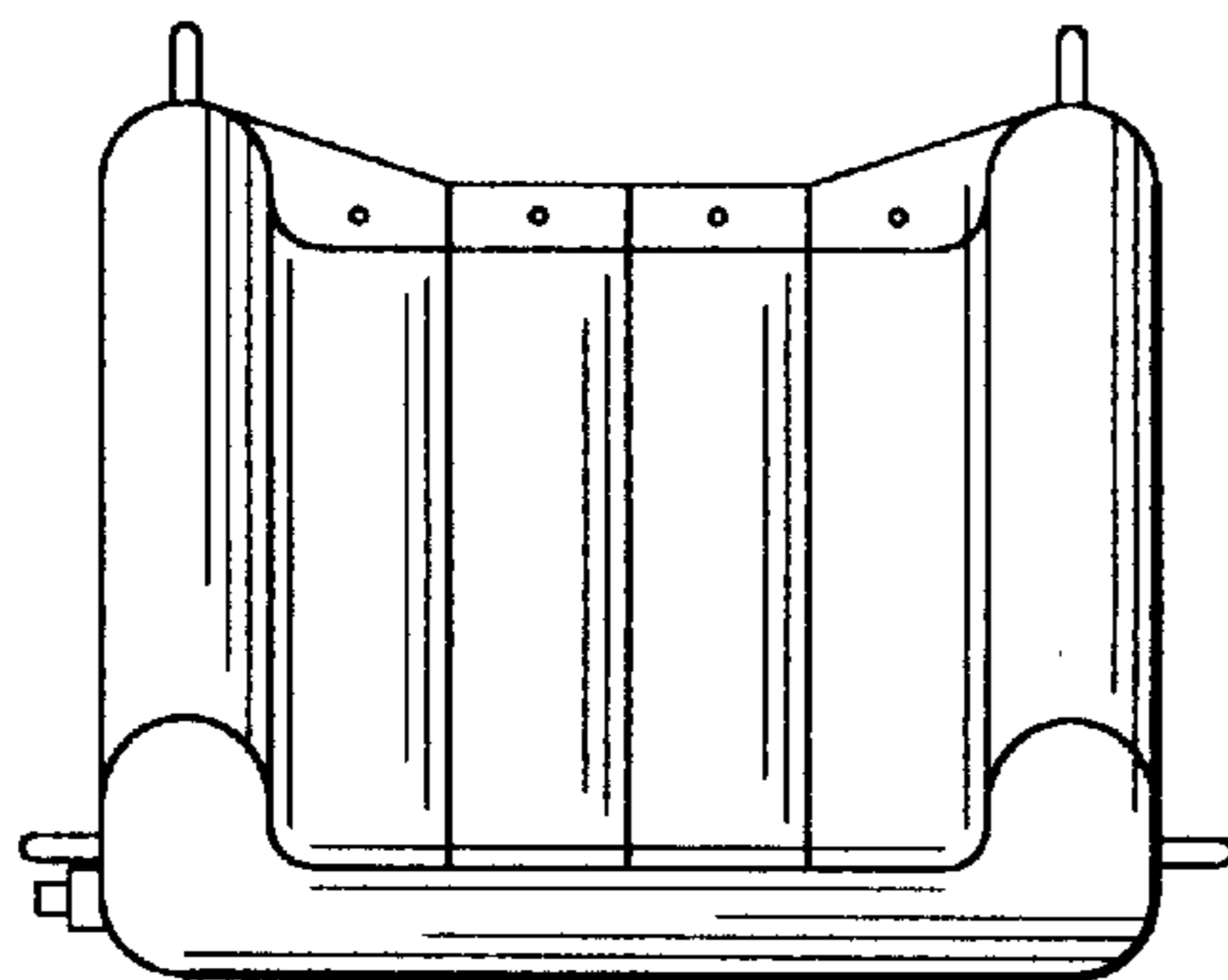
**FIG. 4**



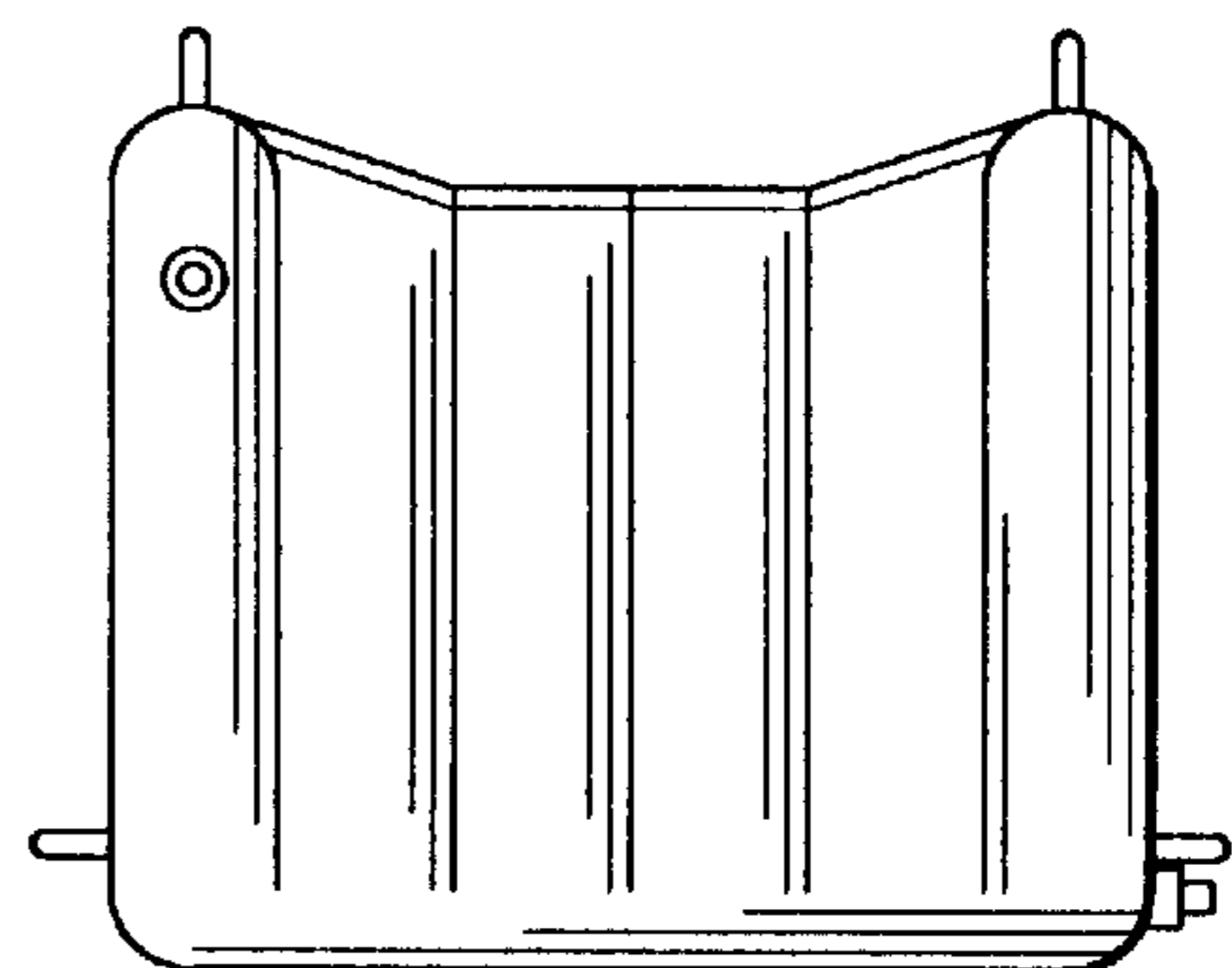
**FIG. 5**



**FIG. 6**



**FIG. 7**



**FIG. 8**