



US00D451566B1

(12) **United States Design Patent**  
**De Chenne**

(10) **Patent No.:** **US D451,566 S**

(45) **Date of Patent:** **\*\* Dec. 4, 2001**

(54) **BATTING PRACTICE TEE**

(57) **CLAIM**

The ornamental design for a batting practice tee, as shown and described.

(76) **Inventor:** **Durward E. De Chenne**, 16750 NE. Mountain Home Rd., Sherwood, OR (US) 97140

**DESCRIPTION**

(\*\*) **Term:** **14 Years**

FIG. 1 is a perspective view of a batting practice tee showing my new design;

FIG. 2 is a front elevation of the batting practice tee as viewed from the lower left in FIG. 1;

(21) **Appl. No.:** **29/138,109**

FIG. 3 is a rear elevation of the batting practice tee as viewed from the upper right in FIG. 1.

(22) **Filed:** **Mar. 5, 2001**

FIG. 4 is a side elevation of the batting practice tee as viewed from the lower right in FIG. 1, the opposite side elevation being a mirror image thereof;

(51) **LOC (7) Cl.** ..... **21-02**

(52) **U.S. Cl.** ..... **D21/717; D21/780**

FIG. 5 is a top plan view of the batting practice tee as viewed from the top in FIG. 4.

(58) **Field of Search** ..... **D21/717, 780; 473/422, 451, 387, 390-392**

FIG. 6 is a bottom plan view of the batting practice tee as viewed from the bottom in FIG. 4;

(56) **References Cited**

**U.S. PATENT DOCUMENTS**

D. 199,128	*	9/1964	Madsen	.....	D21/780
D. 239,123	*	3/1976	Reed	.....	D21/717
D. 373,806	*	9/1996	Bunnell	.....	D21/717
1,692,233	*	11/1928	Van Patten	.....	473/390

FIG. 7 is a perspective view similar to FIG. 1 but showing the batting practice tee mounting, in broken lines, ball-supporting tube members and storage clips therefor to illustrate the environment of the batting practice tee in one condition for display; and,

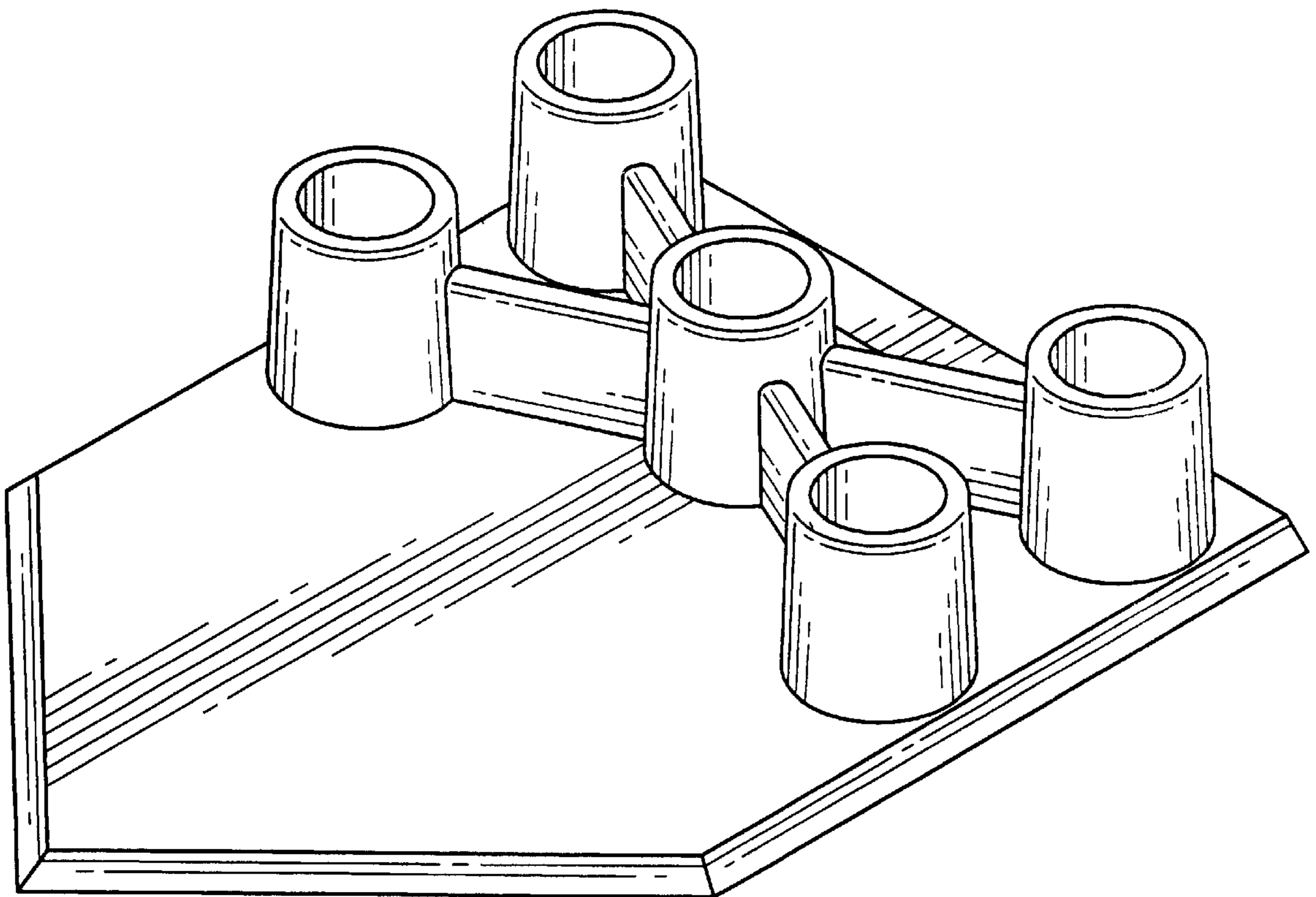
FIG. 8 is a perspective view similar to FIG. 7 but showing the batting practice tee mounting, in broken lines, ball-supporting tube members and storage clips therefor to illustrate the environment of the batting practice tee in another condition for display.

\* cited by examiner

*Primary Examiner*—Dominic Simone

(74) *Attorney, Agent, or Firm*—Olson and Olson

**1 Claim, 4 Drawing Sheets**



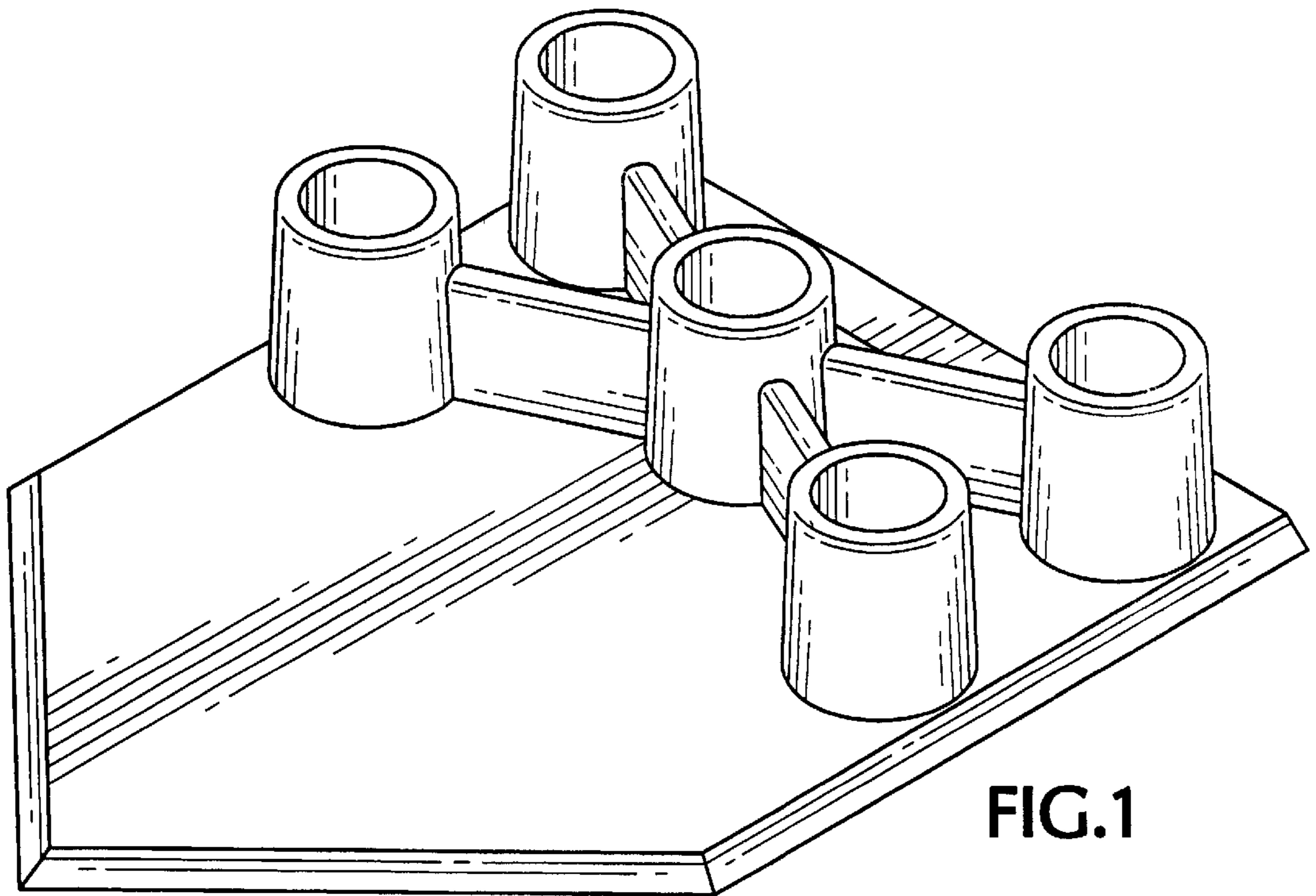


FIG. 1

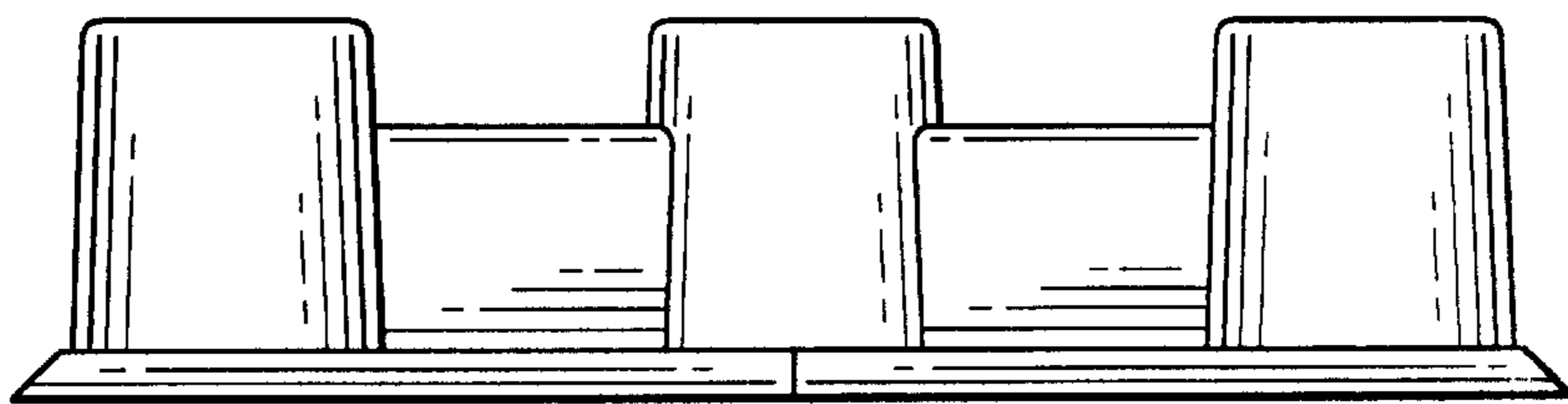


FIG. 2

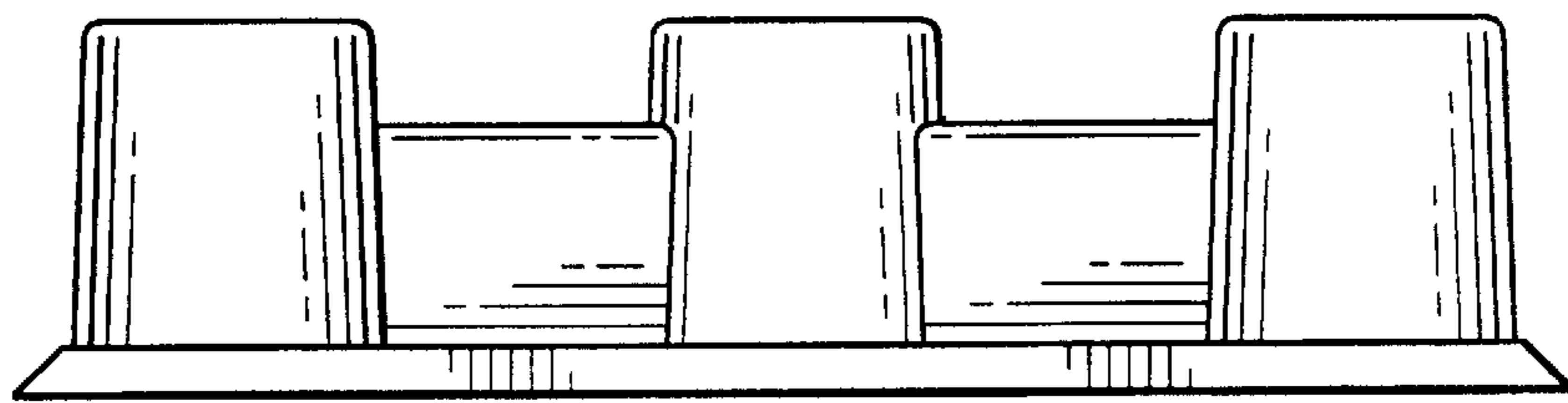


FIG. 3

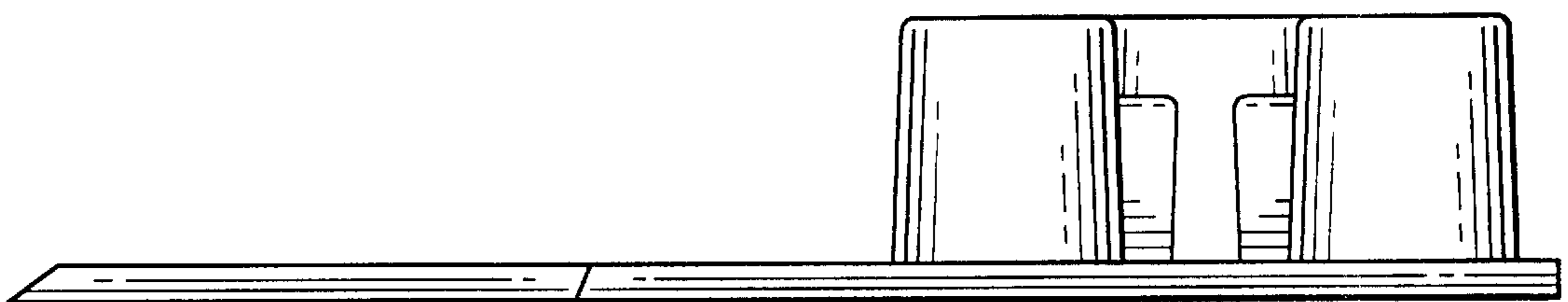
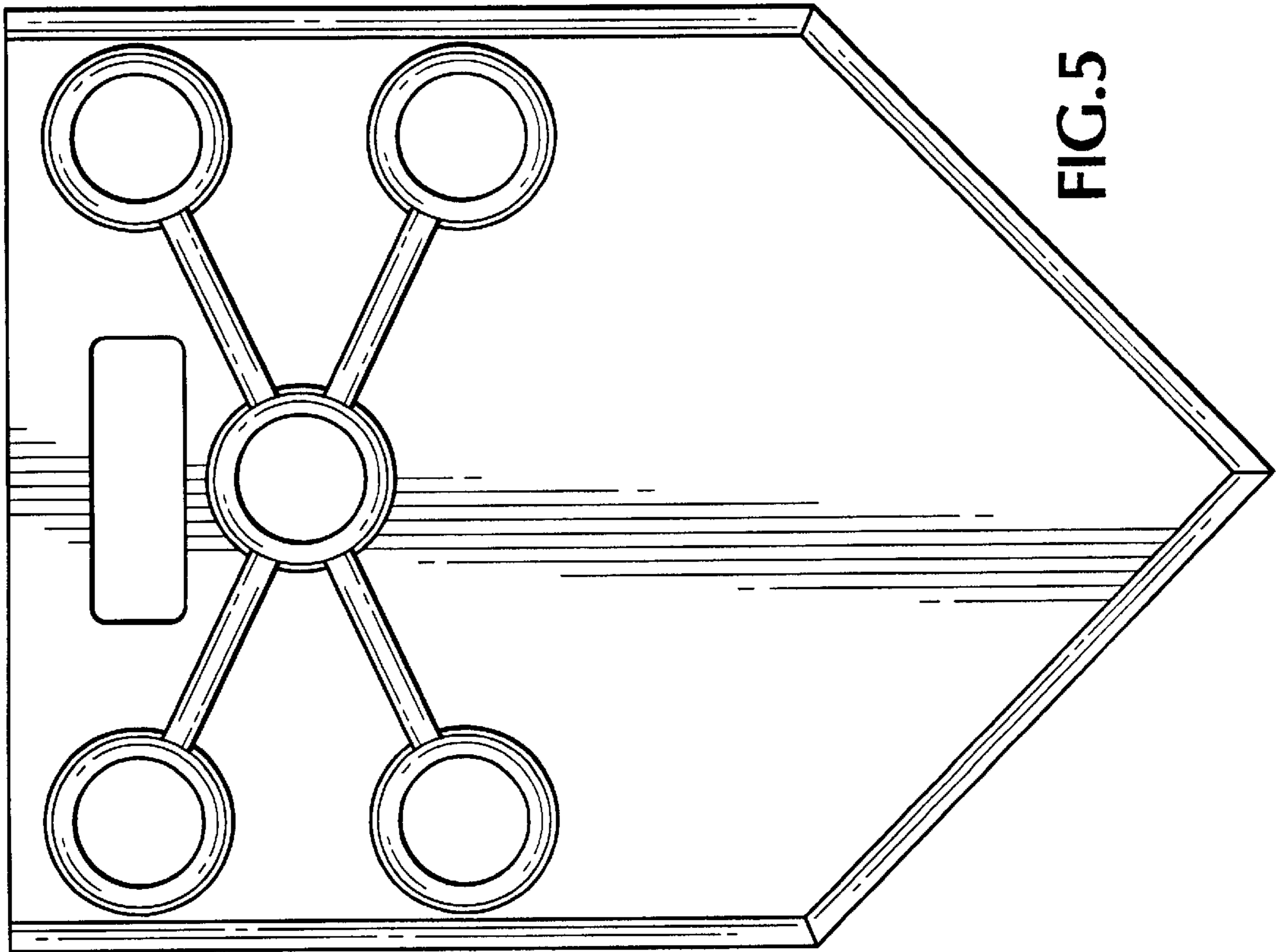
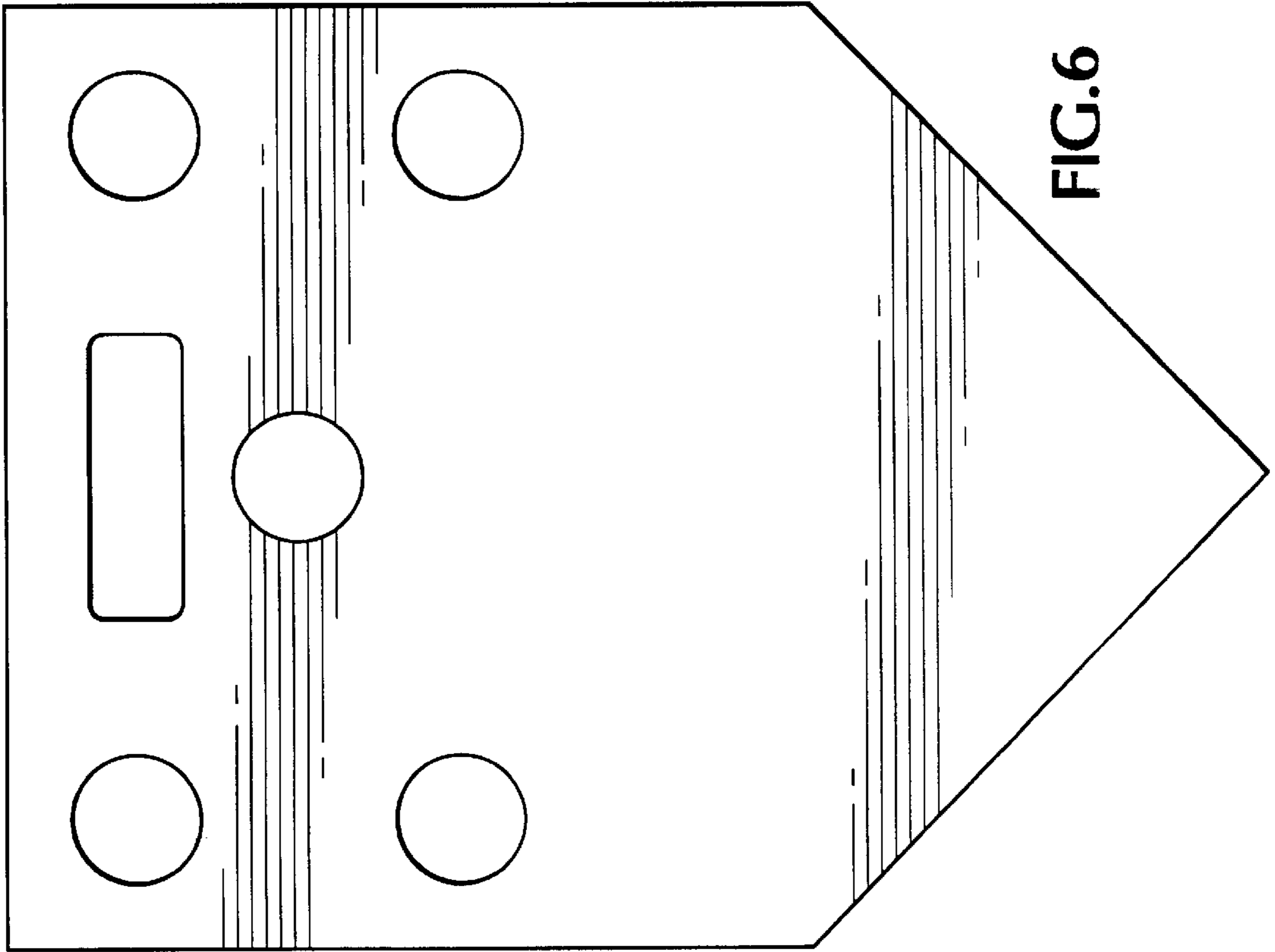


FIG. 4



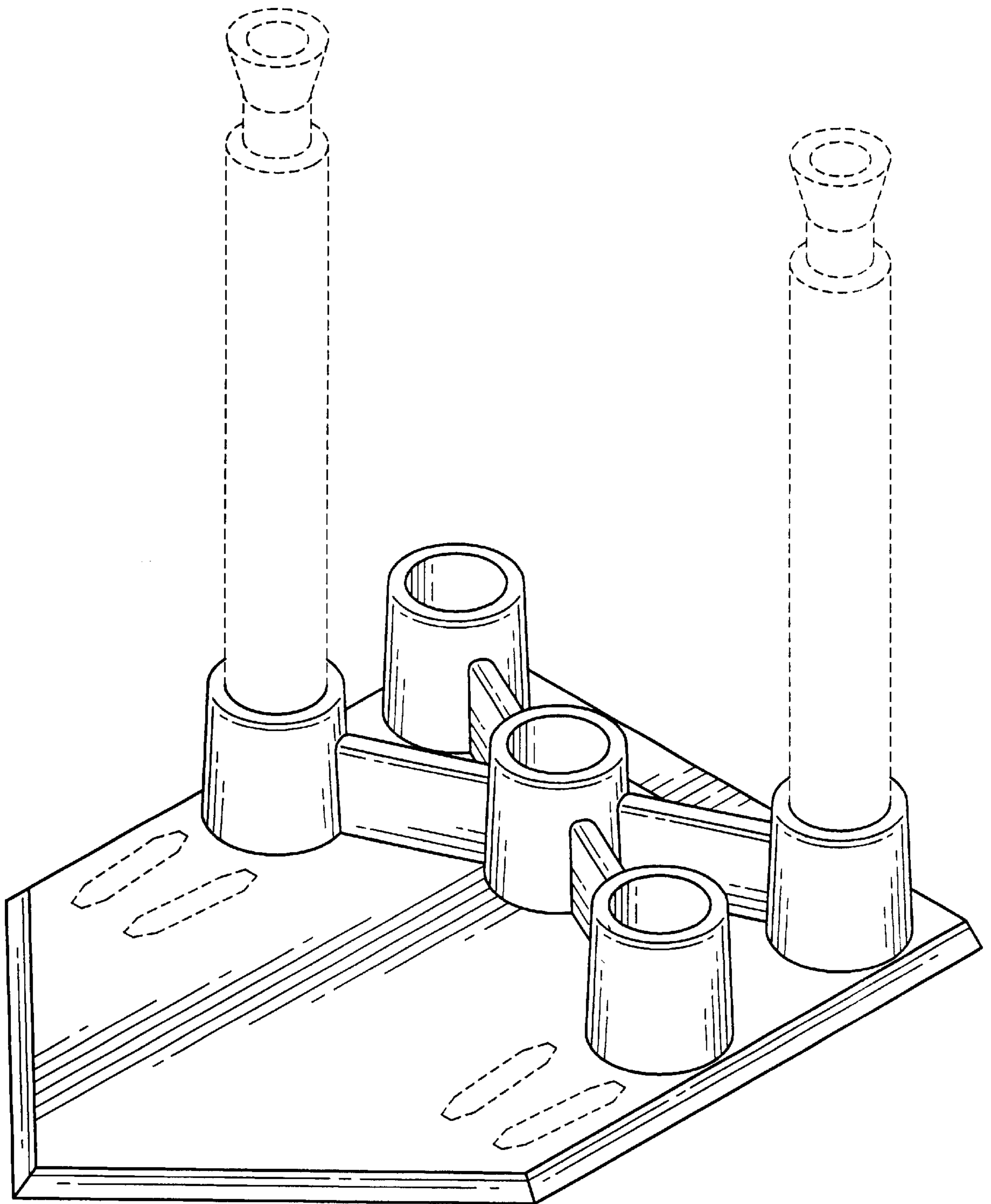


FIG.7

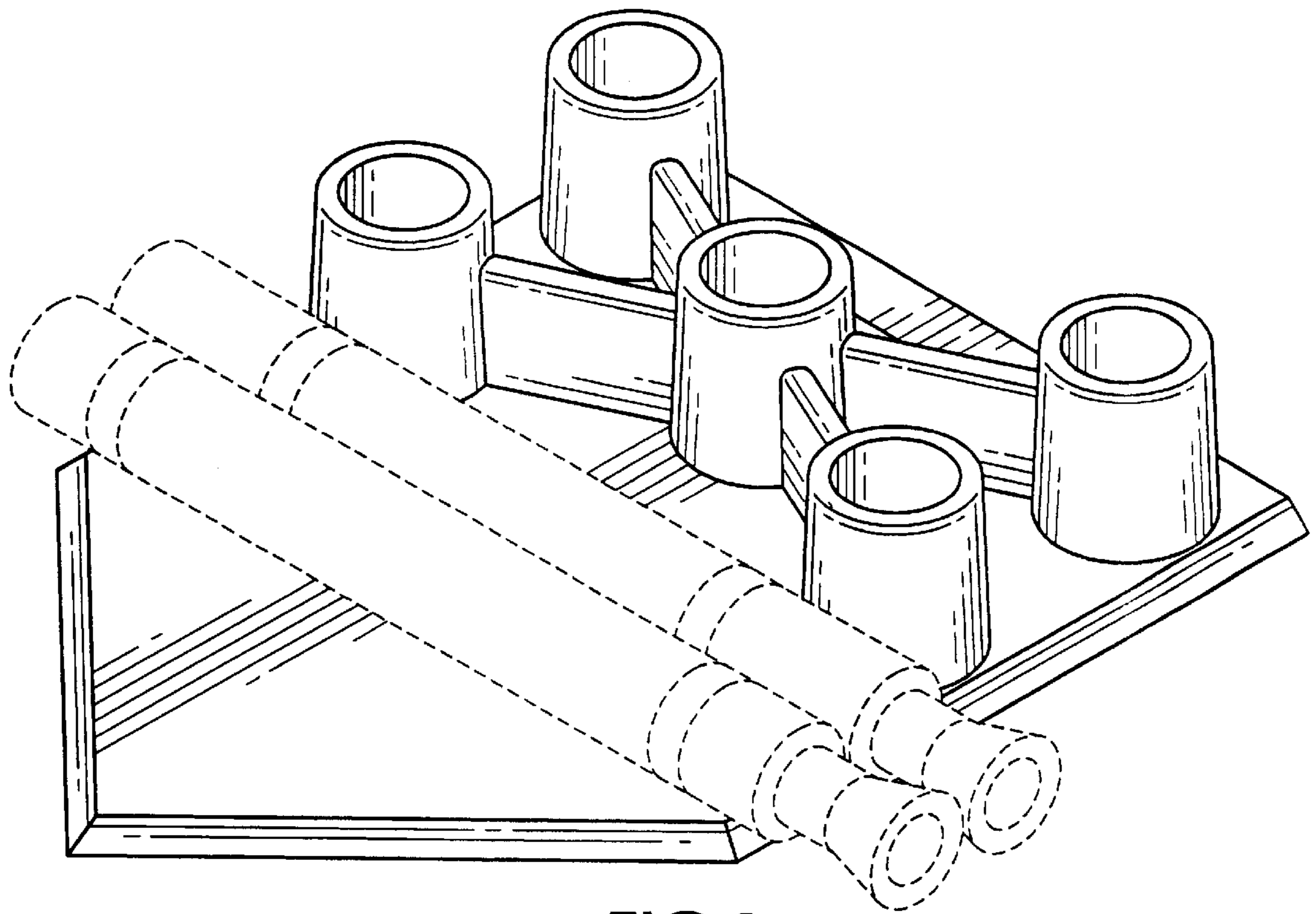


FIG.8