



US00D451558B1

(12) **United States Design Patent**
Sano

(10) **Patent No.:** **US D451,558 S**

(45) **Date of Patent:** **** Dec. 4, 2001**

(54) **PROJECTOR FOR GAME MACHINE**

(75) Inventor: **Rintaro Sano, Tokyo (JP)**

(73) Assignee: **Sega Corporation, Tokyo (JP)**

(**) Term: **14 Years**

(21) Appl. No.: **29/131,373**

(22) Filed: **Oct. 20, 2000**

(30) **Foreign Application Priority Data**

Jul. 17, 2000 (JP) 12-022947

(51) **LOC (7) Cl.** **21-01**

(52) **U.S. Cl.** **D21/333; D21/329; D21/332**

(58) **Field of Search** D21/324, 329,
D21/333, 325, 332; D14/496, 125, 400,
401; 463/1, 29.35, 43, 44, 46, 47; 273/148 B;
364/410; 359/443, 460; 345/156, 501, 903

(56) **References Cited**

U.S. PATENT DOCUMENTS

- D. 335,757 * 5/1993 Ward et al. D21/333
- D. 407,762 * 4/1999 Ota et al. D21/332
- D. 428,939 * 8/2000 Ota et al. D21/332

- D. 429,768 * 8/2000 Smart D21/325
- 5,190,286 * 3/1993 Watanabe et al. 463/34
- 5,688,174 * 11/1997 Kennedy 463/46
- 5,786,933 * 7/1998 Iwai et al. 359/60
- 5,951,015 * 9/1999 Smith et al. 463/34
- 6,120,379 * 9/2000 Tanaka et al. 463/46
- 6,139,432 * 10/2000 Watanabe et al. 463/32

* cited by examiner

Primary Examiner—Prabhakar Deshmukh

(74) *Attorney, Agent, or Firm*—Ladas & Parry

(57) **CLAIM**

The ornamental design for a projector for game machine, as shown and described.

DESCRIPTION

FIG. 1 is a perspective view of a projector for game machine showing my new design;
 FIG. 2 is a front view thereof;
 FIG. 3 is a rear view thereof;
 FIG. 4 is a right side view thereof, the left side view being a mirror image of the right side;
 FIG. 5 is a top view thereof; and,
 FIG. 6 is a bottom view thereof.

1 Claim, 3 Drawing Sheets

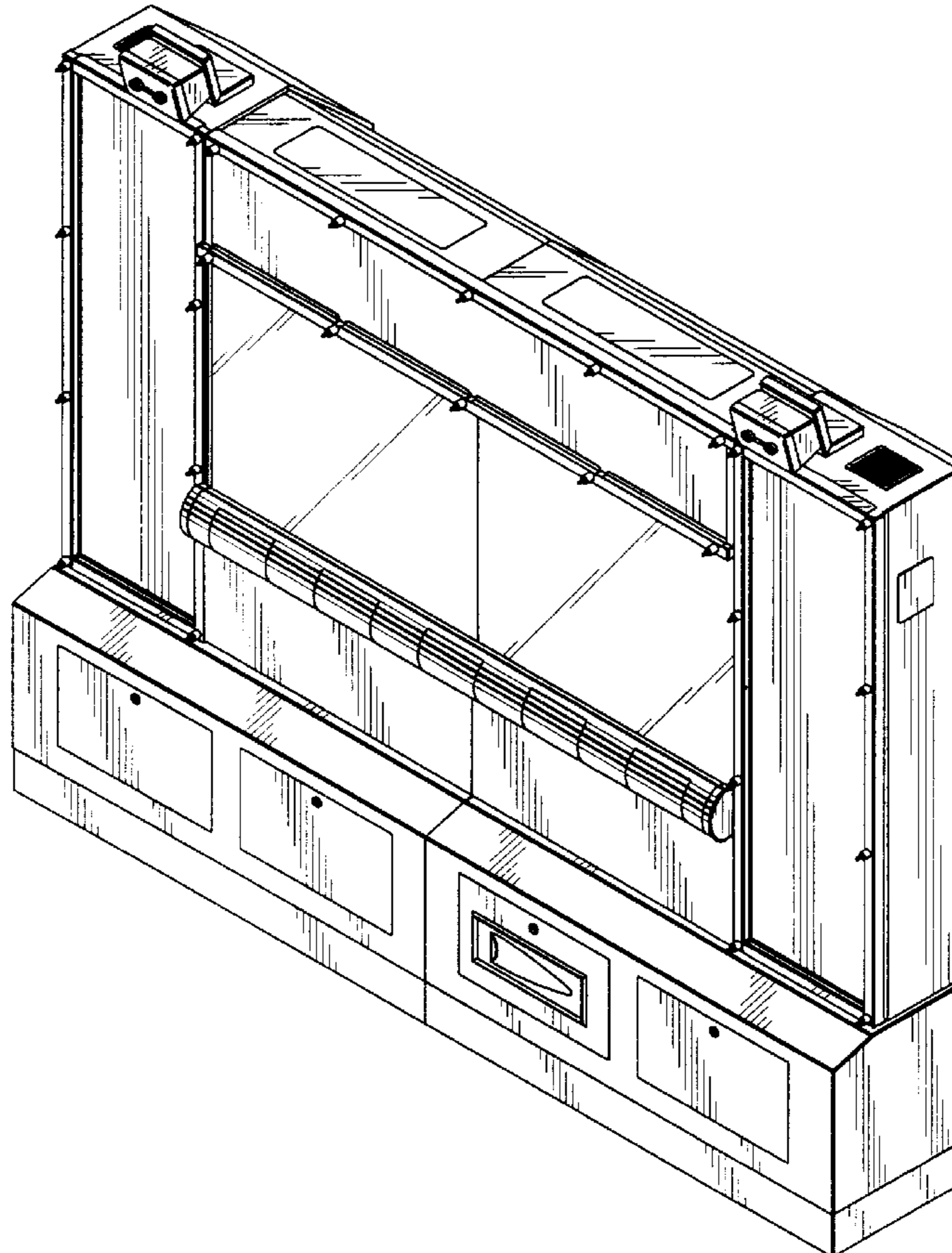


FIG. 1

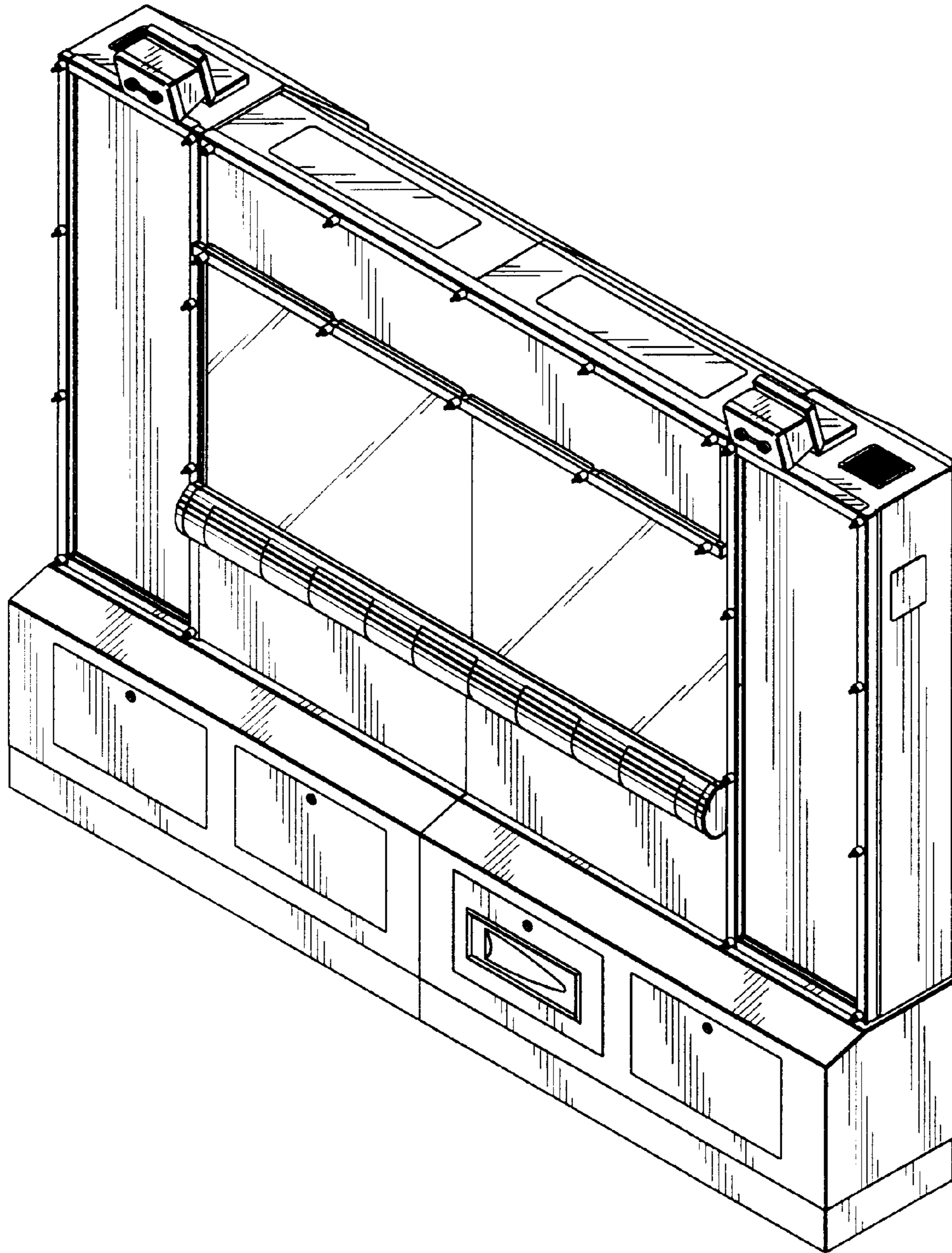


FIG. 2

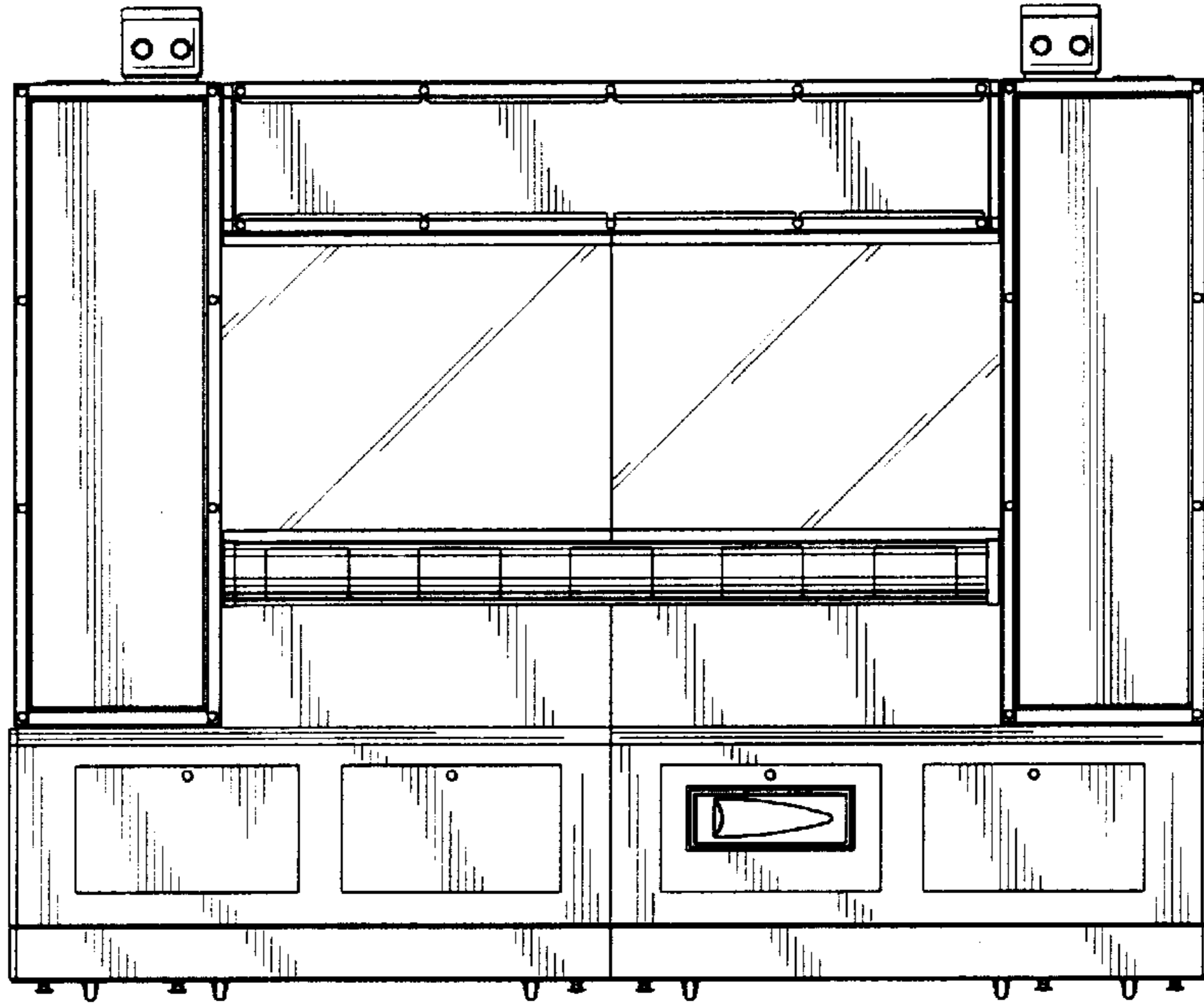


FIG. 3

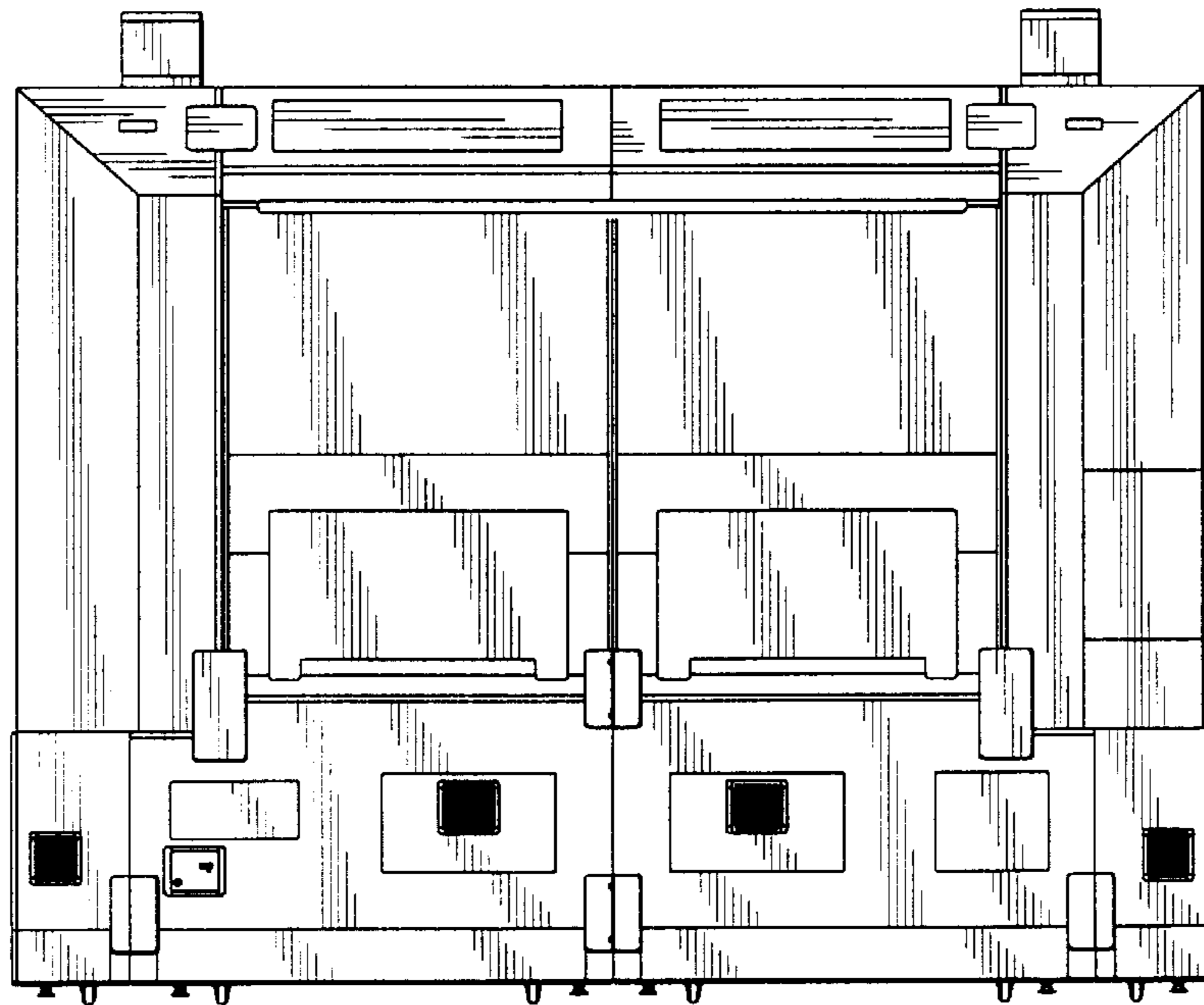


FIG. 4

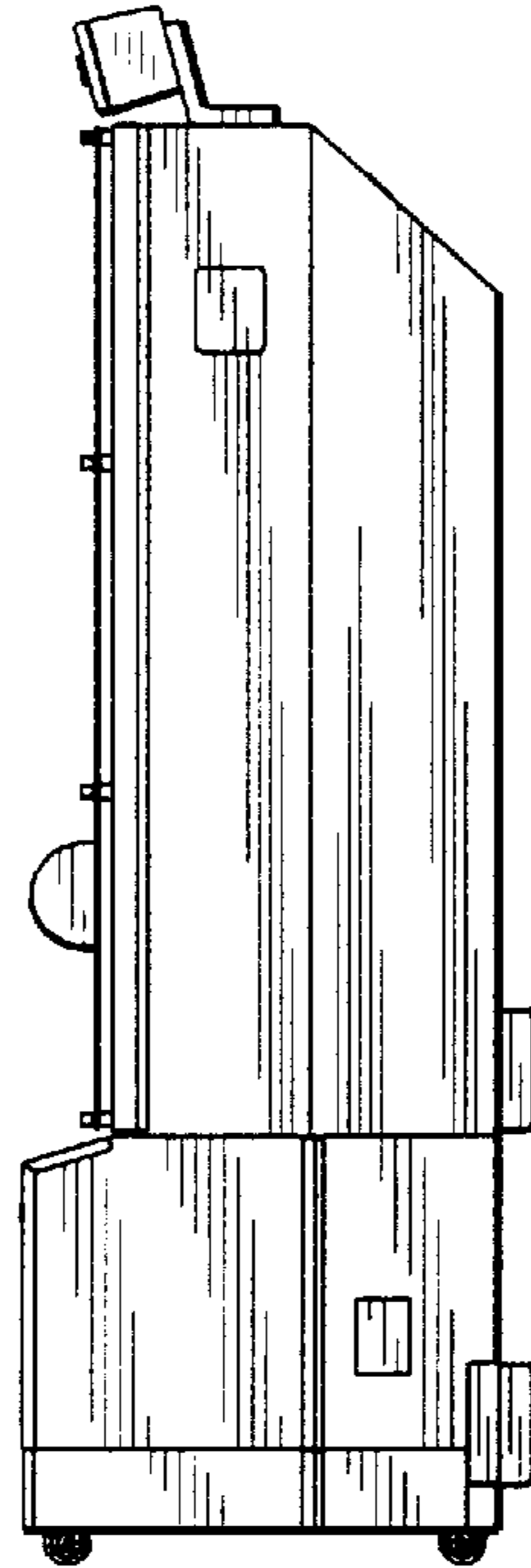


FIG. 5

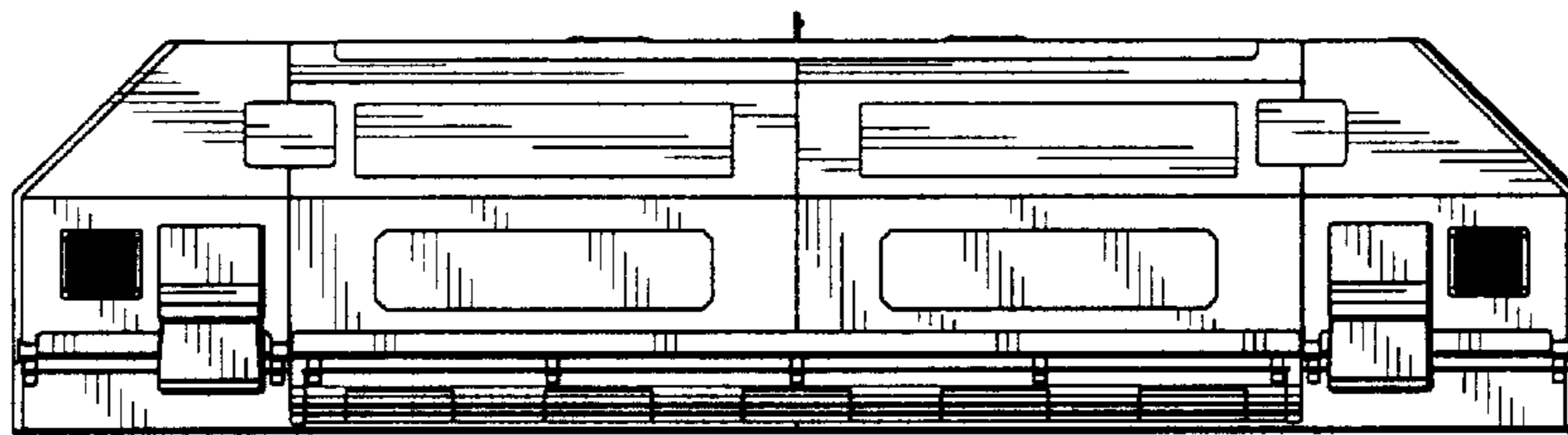


FIG. 6

