



US00D451557B1

(12) **United States Design Patent**  
**Yu**

(10) **Patent No.:** **US D451,557 S**

(45) **Date of Patent:** **\*\* Dec. 4, 2001**

(54) **STEERING WHEEL AND PEDAL FOR TV GAMES**

(75) **Inventor:** **Man-Chiu Yu, Kowloon (CN)**

(73) **Assignee:** **Storm Electronics Company Limited, Kowloon (CN)**

(\*\*) **Term:** **14 Years**

(21) **Appl. No.:** **29/139,851**

(22) **Filed:** **Apr. 6, 2001**

(30) **Foreign Application Priority Data**

Oct. 10, 2000 (HK) ..... 0011450

(51) **LOC (7) Cl.** ..... **21-01**

(52) **U.S. Cl.** ..... **D21/328; D21/333; D21/320**

(58) **Field of Search** ..... D21/320, 329, D21/330, 333, 548, 549; D12/175, 176; D14/412-416, 400, 401; 446/7, 445; 434/45; 273/148 B, 440, 441, 442; 463/1, 29-35, 46, 47, 6, 23

(56) **References Cited**

**U.S. PATENT DOCUMENTS**

- D. 393,493 \* 4/1998 Lee ..... D21/320
- D. 400,935 \* 11/1998 Murasaki et al. .... D21/398
- D. 410,970 \* 6/1999 Larian ..... D21/329

- D. 420,708 \* 2/2000 Holmes et al. .... D21/329
- 5,056,787 \* 10/1991 Mitsuyoshi ..... 273/148 B
- 5,106,102 \* 4/1992 Mitsumoto ..... 273/442
- 5,573,440 \* 11/1996 Achneider et al. .... 446/404
- 5,823,876 \* 10/1998 Unbehand ..... 463/37
- 5,829,745 \* 11/1998 Houle ..... 273/148 B
- 5,989,123 \* 11/1999 Tosaki et al. .... 463/47

**OTHER PUBLICATIONS**

Thrustmaster, NASCAR Pro Digital, 1998.\*

\* cited by examiner

*Primary Examiner*—Prabhakar Deshmukh

(74) *Attorney, Agent, or Firm*—Alix, Yale & Ristas, LLP

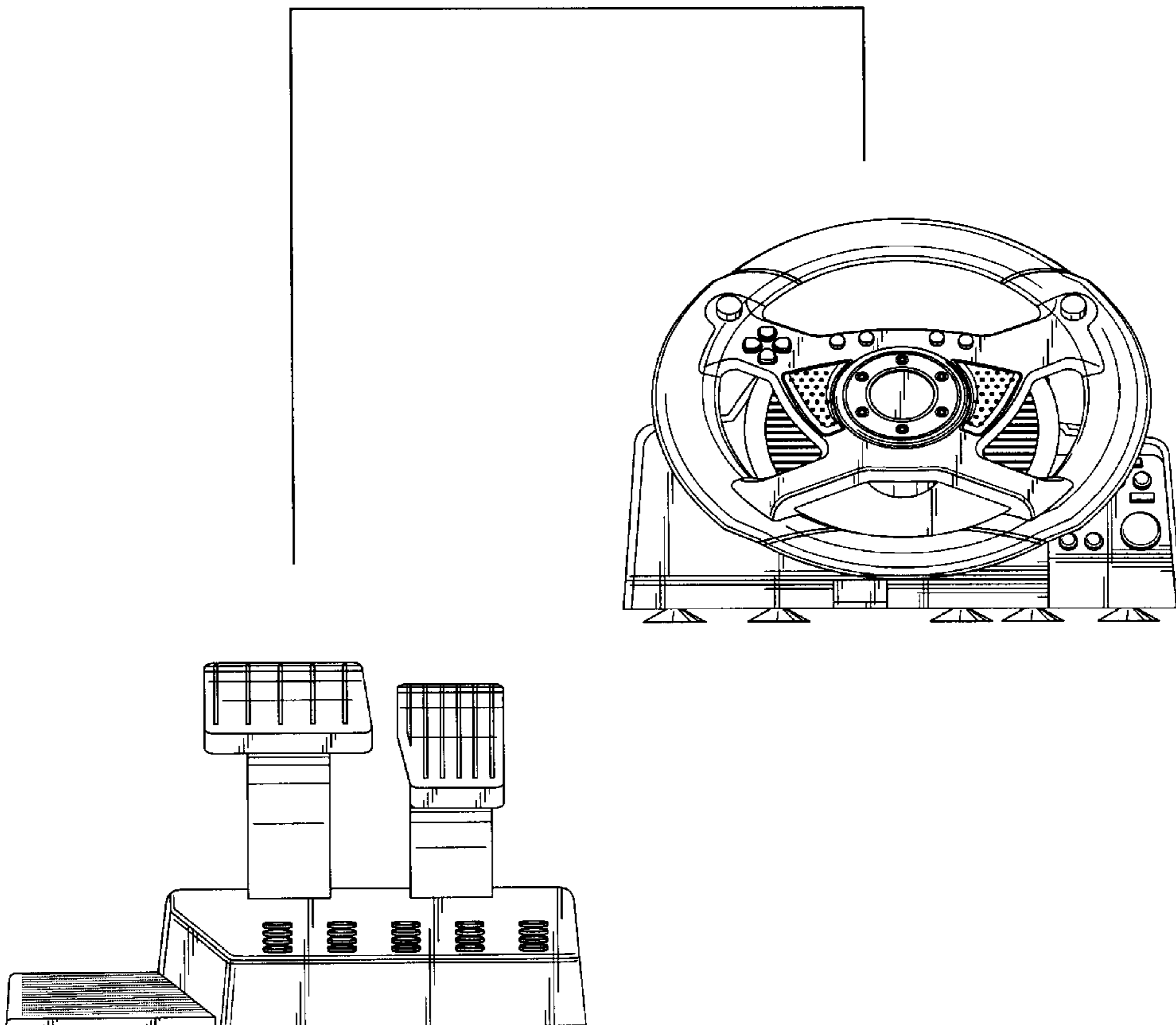
(57) **CLAIM**

The ornamental design for a steering wheel and pedal for TV games, as shown and described.

**DESCRIPTION**

FIG. 1 is a front view of a steering wheel and pedal for TV games showing my new design;  
 FIG. 2 is a rear elevational view thereof;  
 FIG. 3 is a top plan view thereof;  
 FIG. 4 is a bottom plan view thereof;  
 FIG. 5 is a right side elevational view thereof; and,  
 FIG. 6 is a left side elevational view thereof.

**1 Claim, 6 Drawing Sheets**



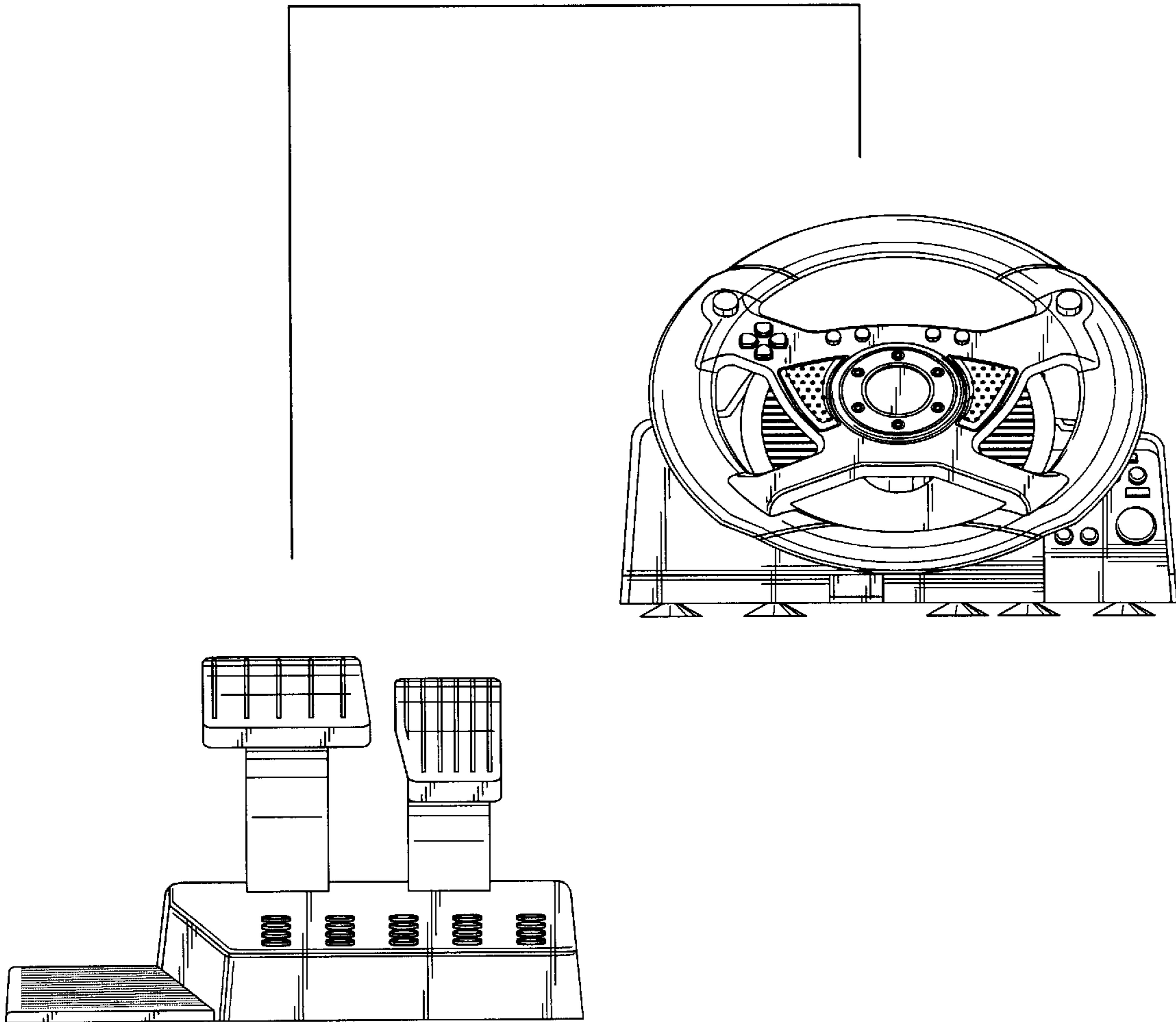


FIG. 1

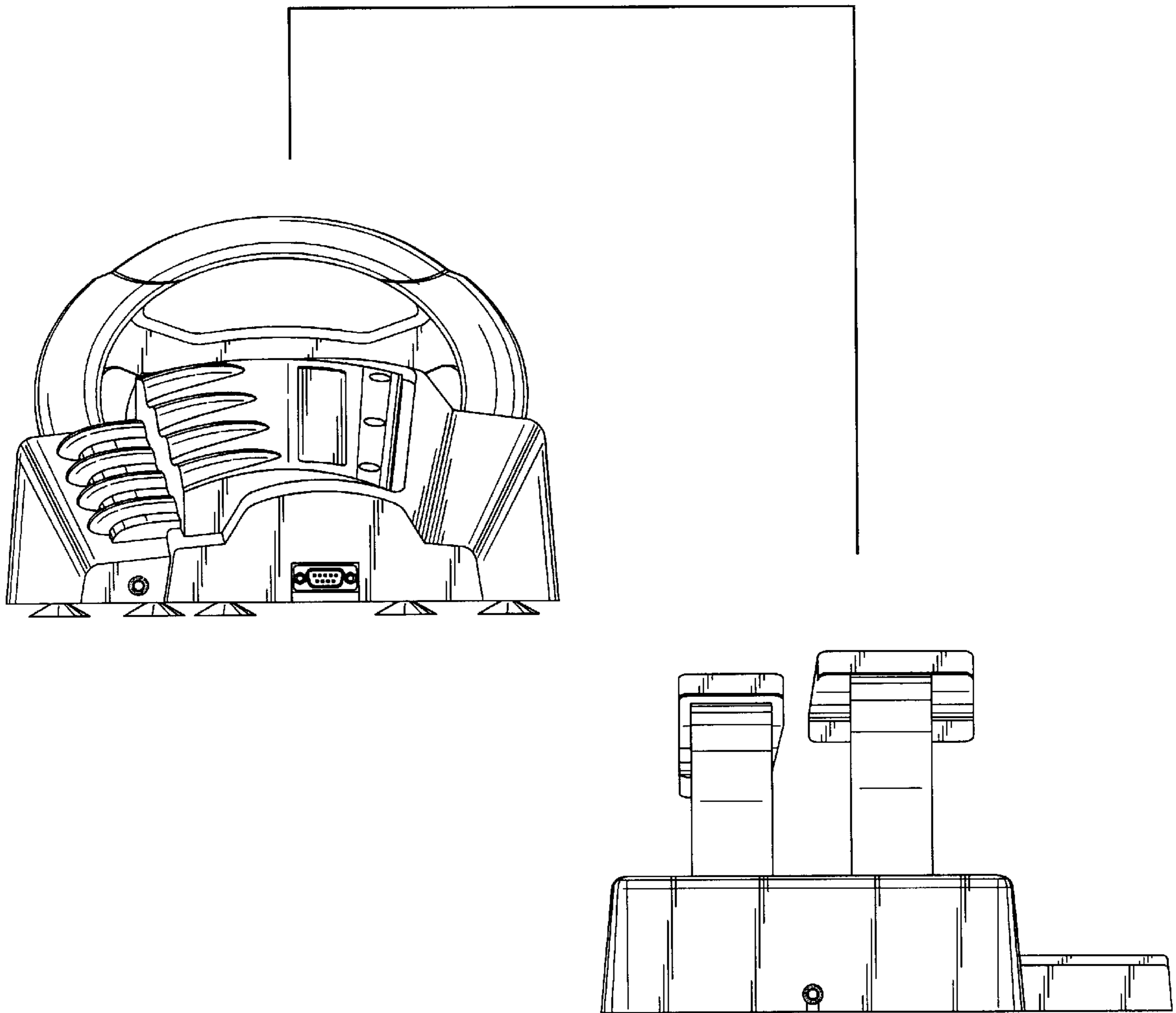


FIG. 2

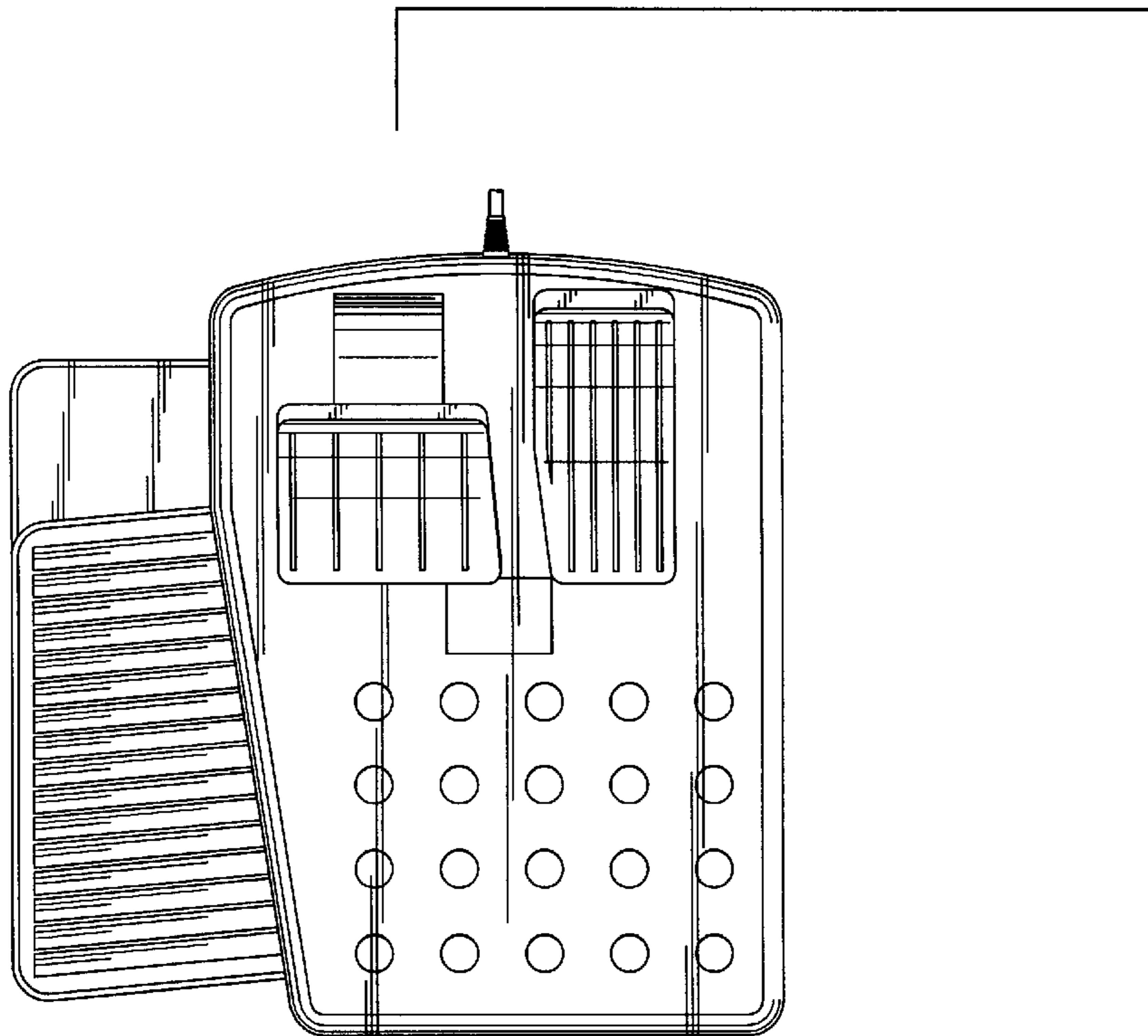
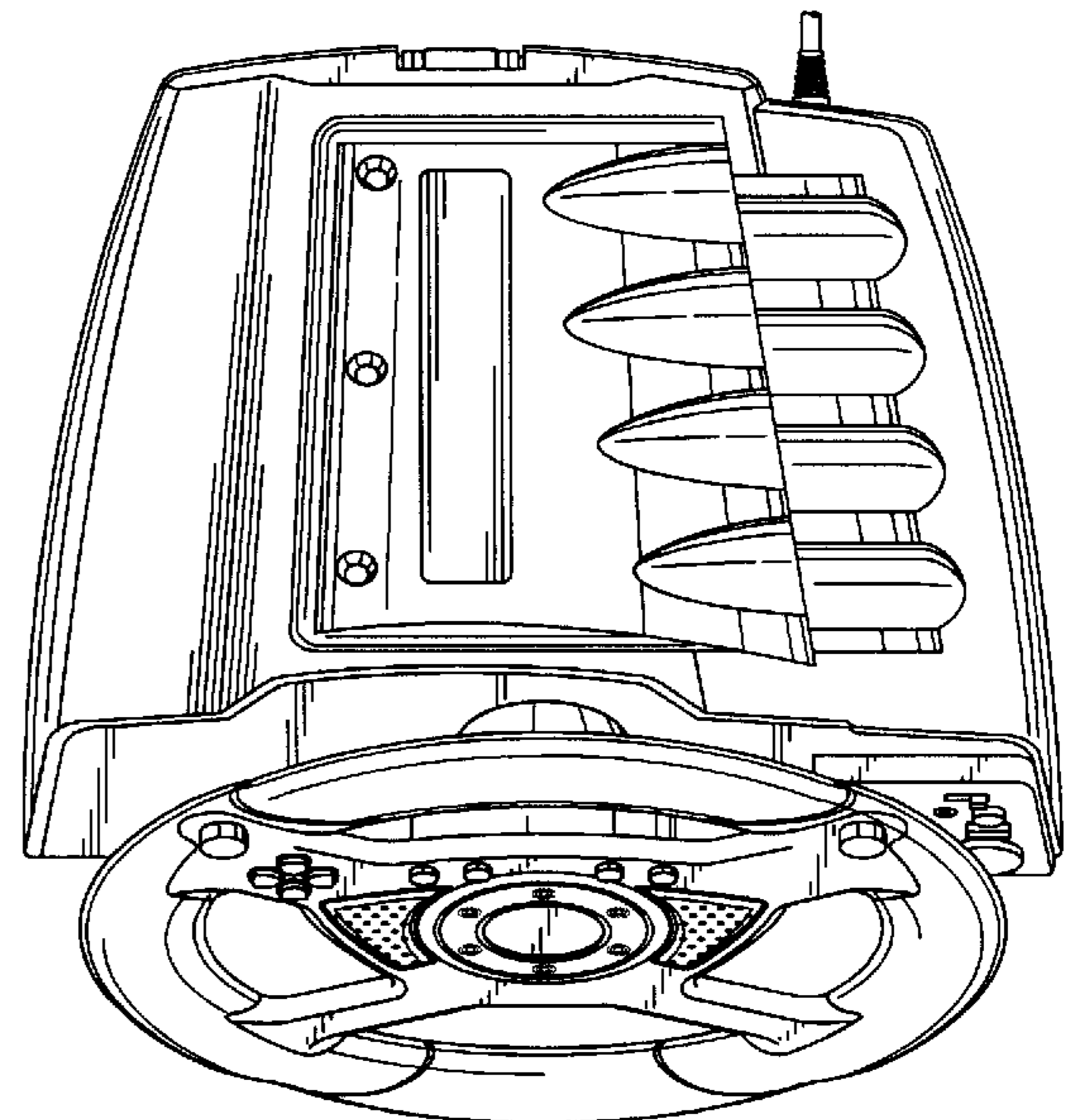


FIG. 3



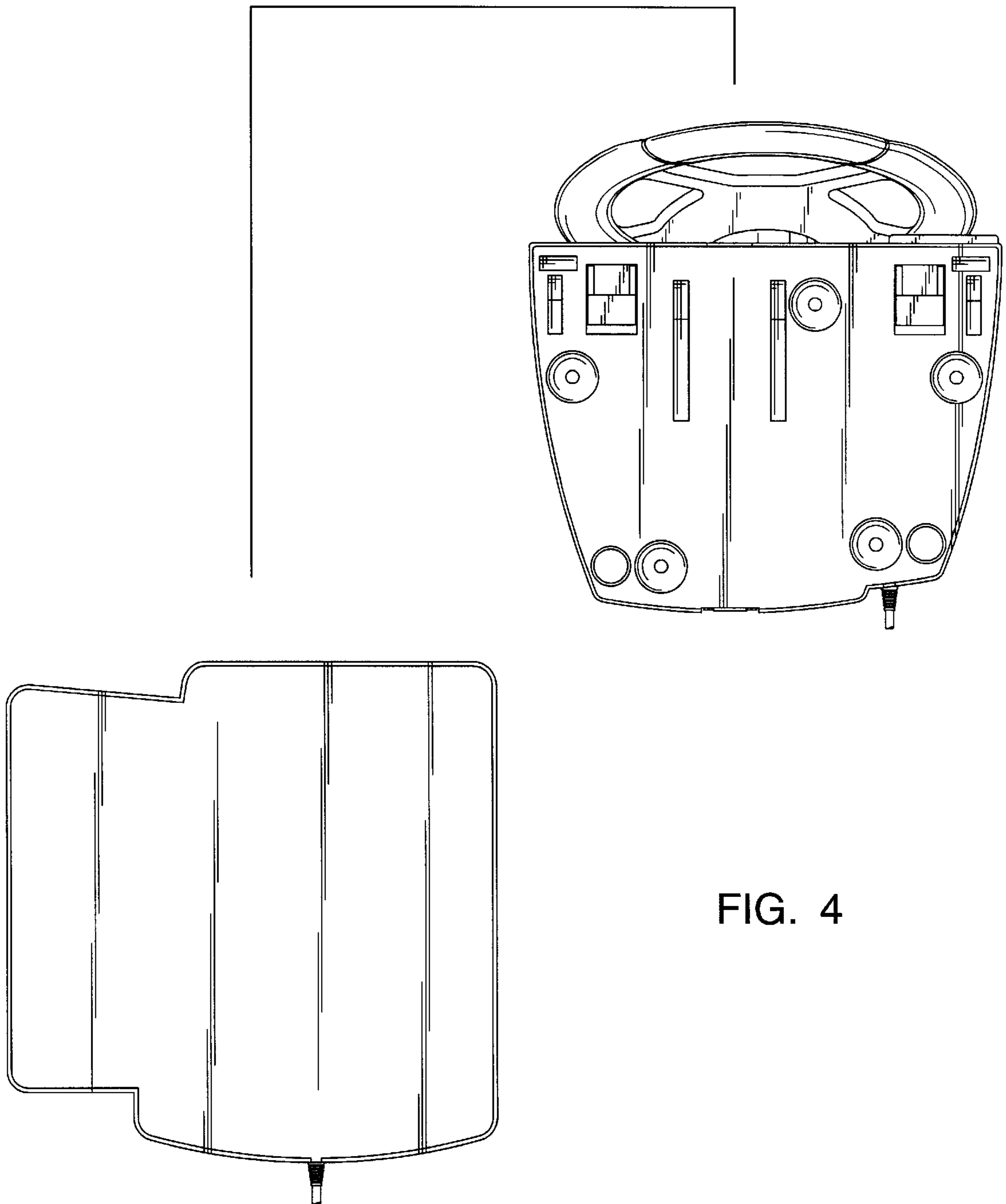


FIG. 4

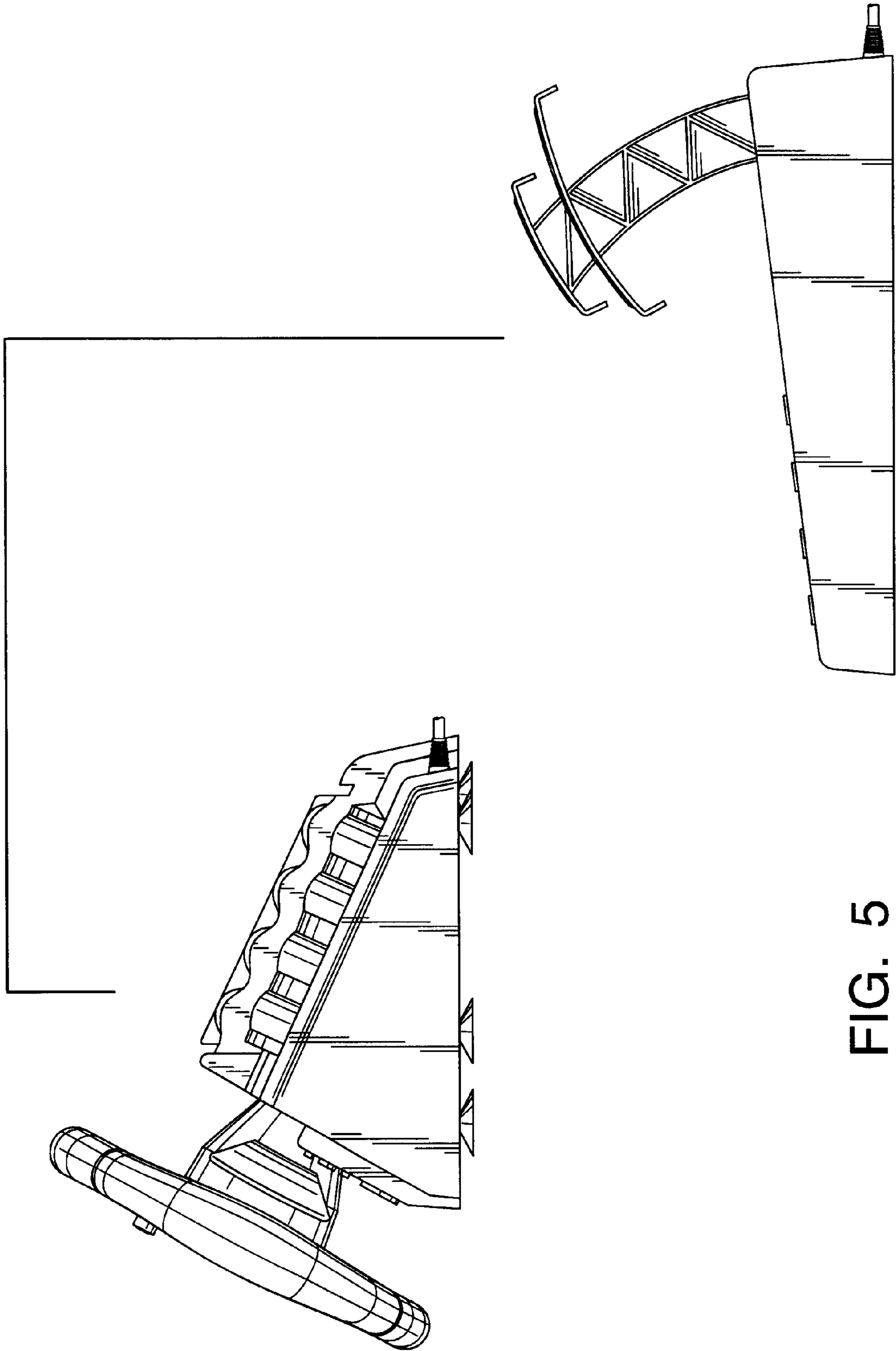


FIG. 5

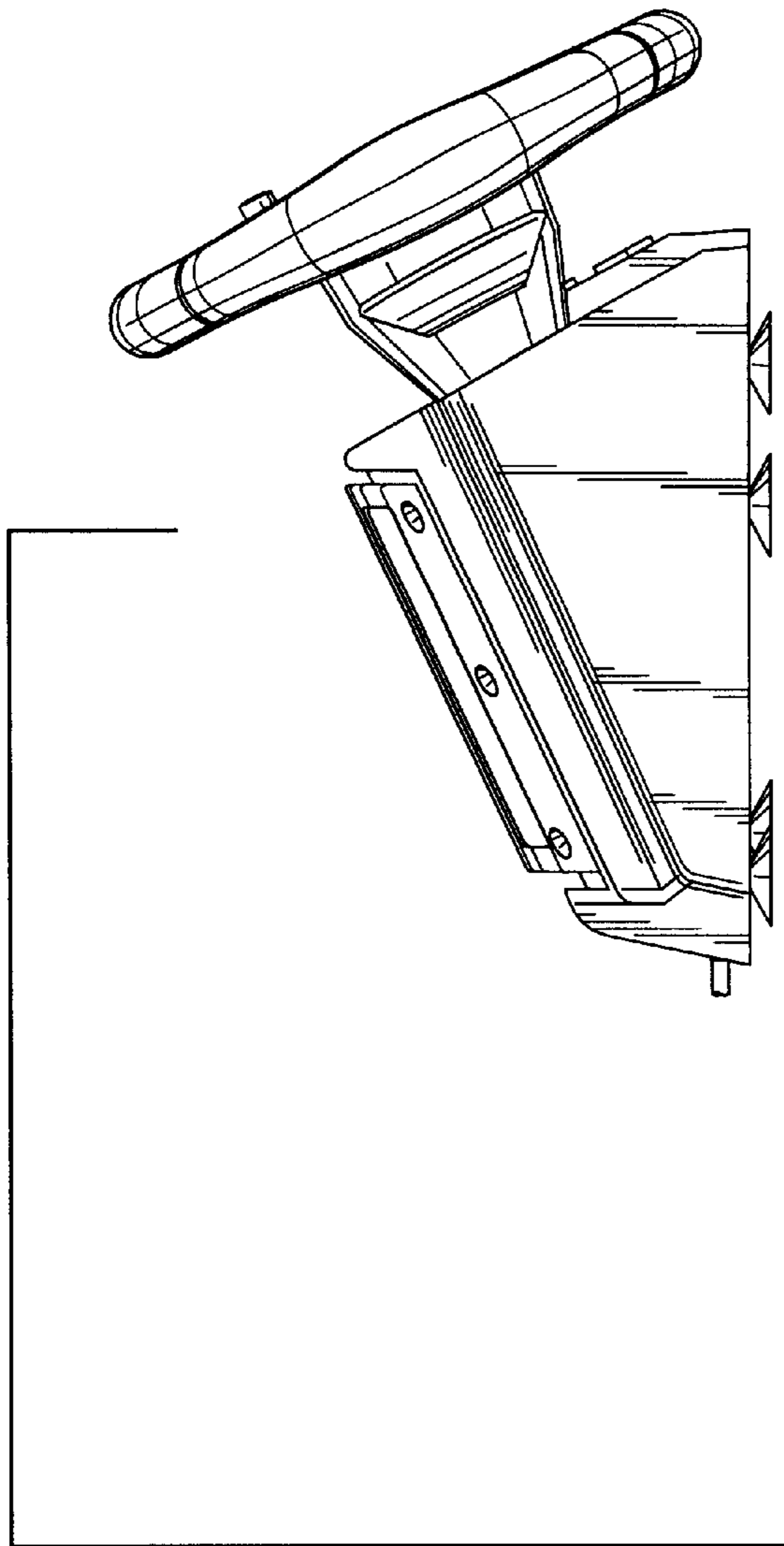


FIG. 6

