



US00D451555B1

(12) **United States Design Patent**
Smith

(10) **Patent No.:** **US D451,555 S**

(45) **Date of Patent:** **** Dec. 4, 2001**

(54) **SET OF COMPONENTS FOR A DROP-IN NAMEPLATE**

5,987,794 11/1999 Lavi et al. 40/611

* cited by examiner

(76) **Inventor:** **Richard Smith**, 99 Farrell St., Long Beach, NY (US) 11561

Primary Examiner—Marcus A. Jackson
(74) *Attorney, Agent, or Firm*—Richard L. Miller, P.A.

(**) **Term:** **14 Years**

(57) **CLAIM**

(21) **Appl. No.:** **29/132,961**

The ornamental design for: set of components for a drop-in nameplate, as shown and described.

(22) **Filed:** **Jul. 5, 2000**

DESCRIPTION

(51) **LOC (7) Cl.** **20-02**

(52) **U.S. Cl.** **D20/42**

(58) **Field of Search** D20/10, 40, 41, D20/42, 43; 40/584, 597, 611, 617, 620, 621, 622, 642.02, 649, 658, 661, 666

FIG. 1 is a diagrammatic perspective view of a set of assembled components showing my new design for a drop-in nameplate;

FIG. 2 is a top view of the frame component;

FIG. 3 is a front view of the frame component;

FIG. 4 is a rear view of the frame component;

FIG. 5 is a bottom view of the frame component, the left side and right side being identical thereto;

FIG. 6 is a top view of the lens component;

FIG. 7 is a front view of the lens component;

FIG. 8 is a rear view of the lens component; and,

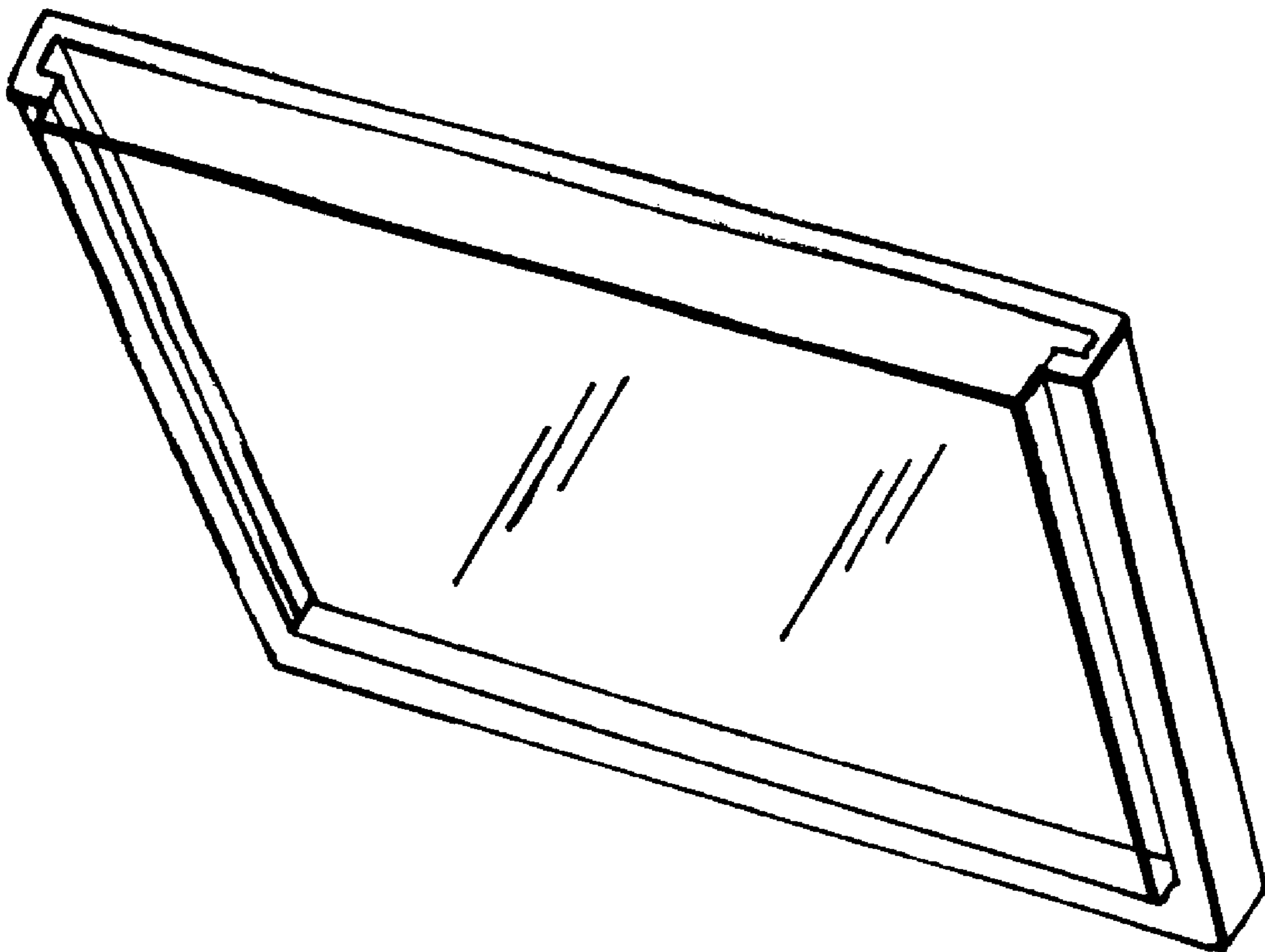
FIG. 9 is a left side elevational view of the lens component, the right side being identical thereto.

(56) **References Cited**

U.S. PATENT DOCUMENTS

D. 388,468	*	12/1997	Rife	D20/42
D. 402,223	*	12/1998	Stella	D20/42
D. 407,120	*	3/1999	Dunn et al.	D20/42
D. 425,565	*	5/2000	Bowie	D20/42
4,144,664		3/1979	De Korte	40/609
5,018,291		5/1991	Pasquale et al.	40/642
5,365,683		11/1994	Borja	40/152.1
5,419,134		5/1995	Gibson	40/606

1 Claim, 1 Drawing Sheet



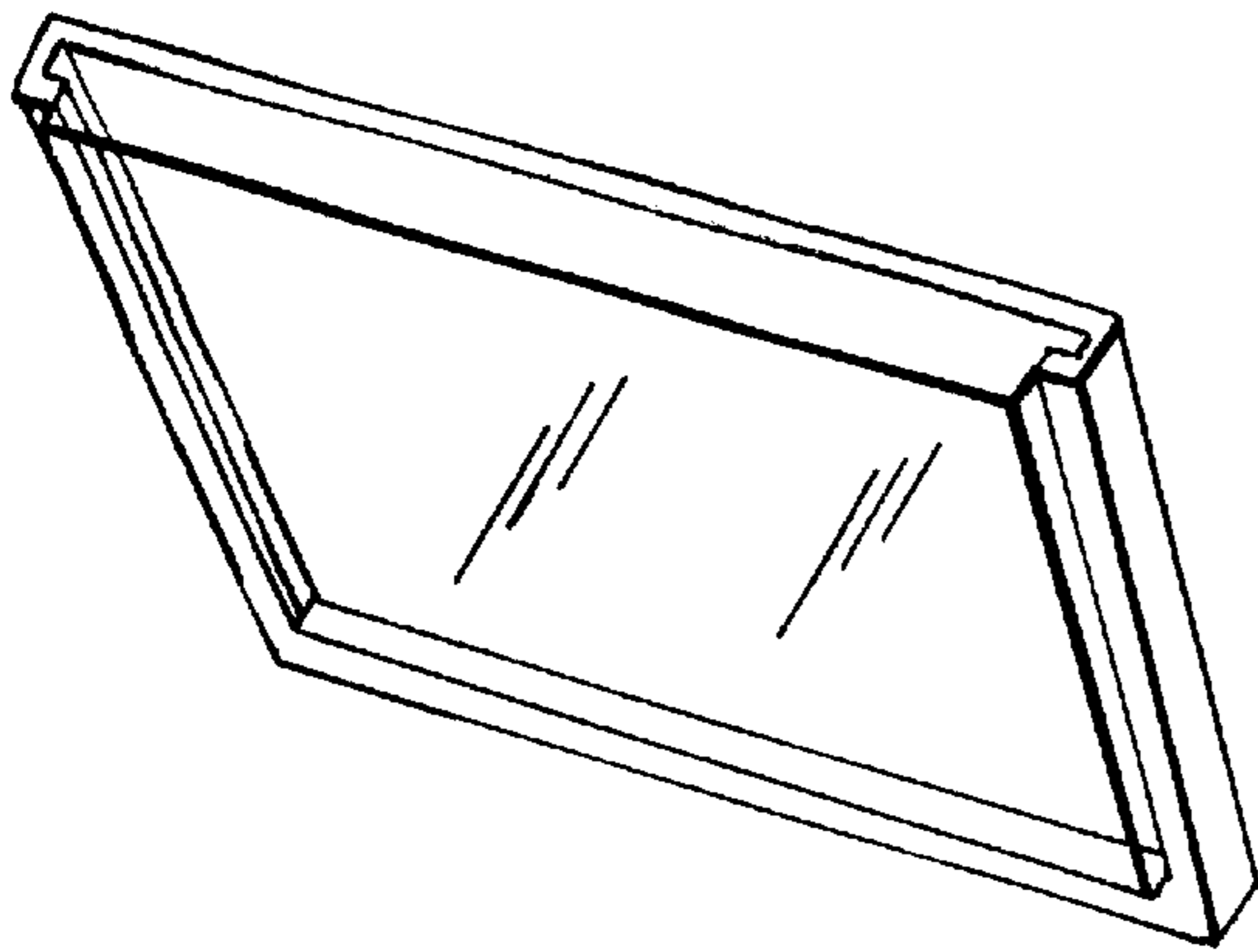


Fig. 1

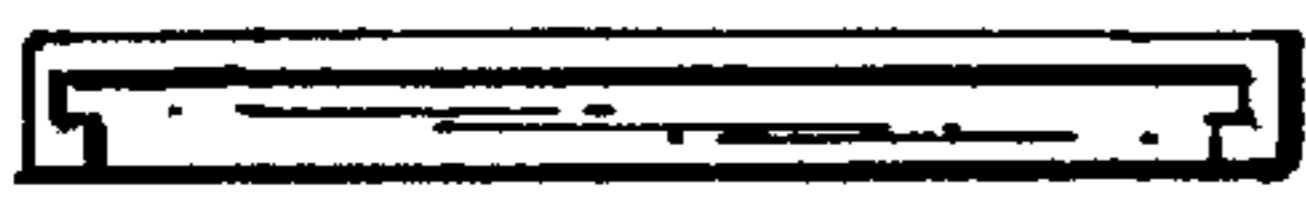


Fig. 2

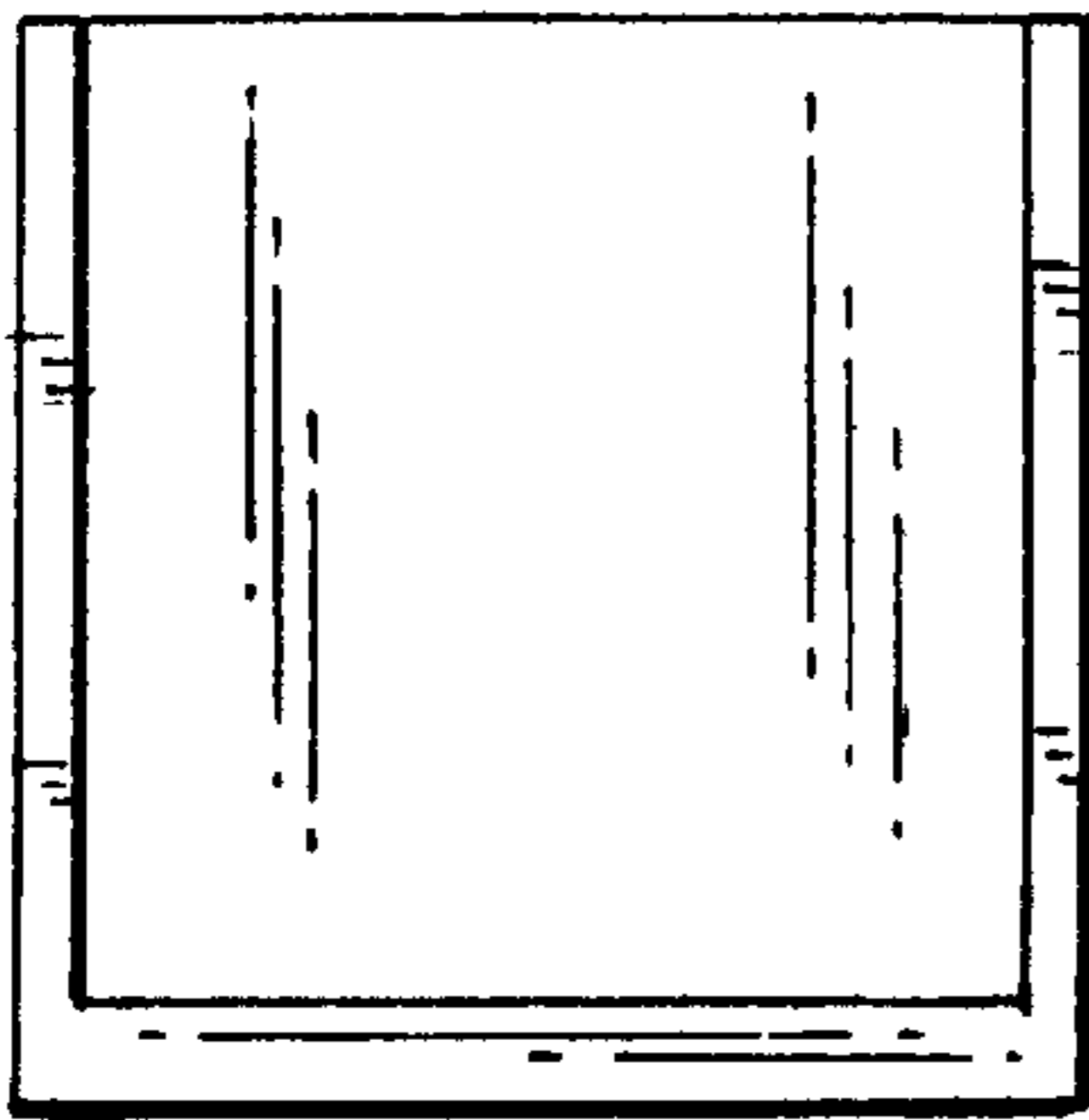


Fig. 3

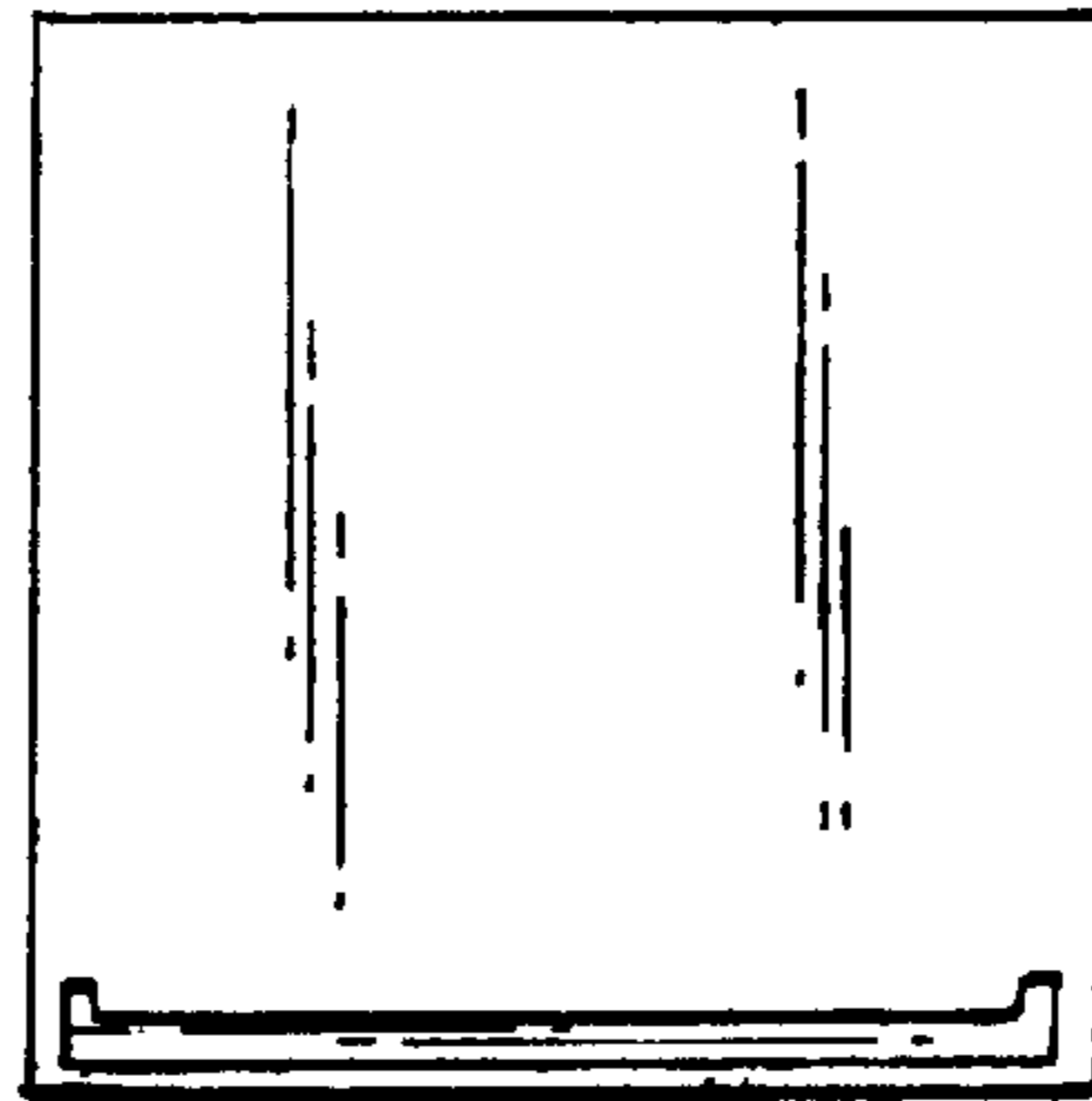


Fig. 4



Fig. 5



Fig. 6

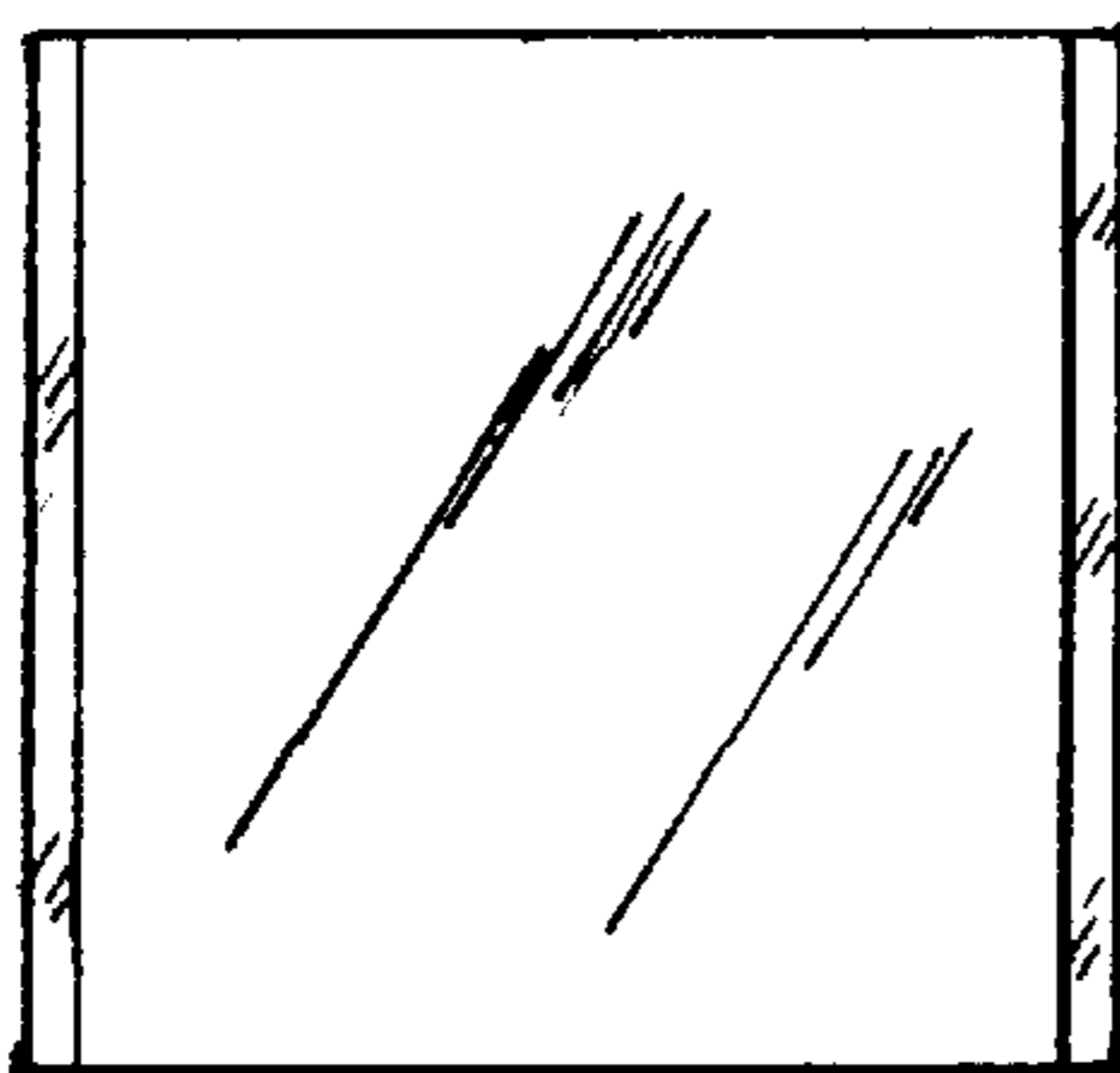


Fig. 7

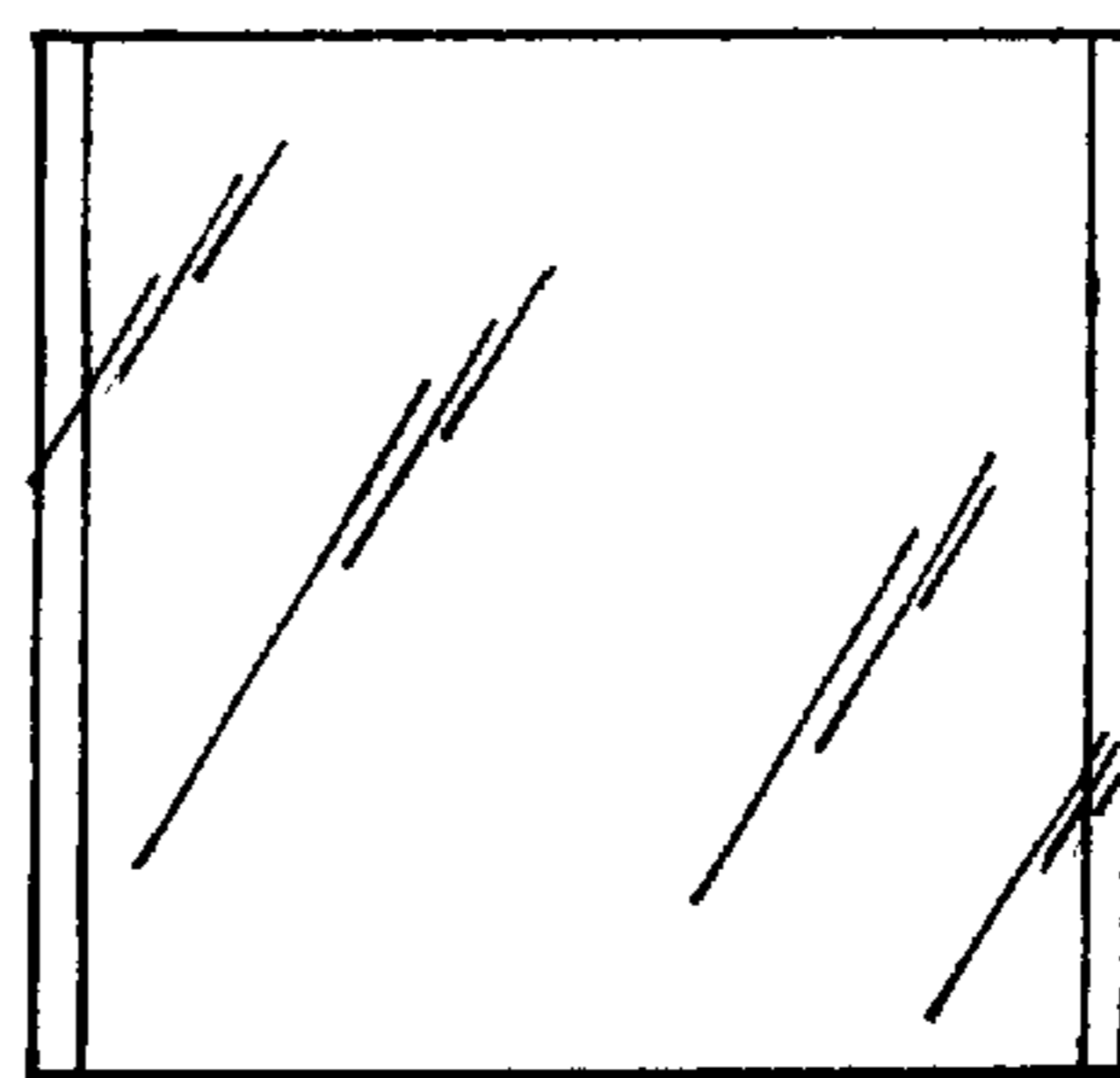


Fig. 8



Fig. 9