



US00D451550B1

(12) **United States Design Patent**  
**Cheris et al.**

(10) **Patent No.:** **US D451,550 S**

(45) **Date of Patent:** **\*\* Dec. 4, 2001**

(54) **PAPER CLIP-BUSINESS CARD HOLDER**

(75) Inventors: **Albert B. Cheris**, Deerfield; **Mark Dziersk**, Chicago, both of IL (US)

(73) Assignee: **Tenex Corporation**, Elk Grove Village, IL (US)

(\*\*) Term: **14 Years**

(21) Appl. No.: **29/140,328**

(22) Filed: **Apr. 17, 2001**

(51) **LOC (7) Cl.** ..... **19-02**

(52) **U.S. Cl.** ..... **D19/75**

(58) **Field of Search** ..... D6/512, 515, 518;  
D19/65, 75, 77, 79, 93, 94, 95, 96, 97,  
99, 100, 86, 92; 40/358; 206/214, 224,  
39, 39.1-39.7; 221/74, 152, 212, 312 C;  
211/11, 126.1, 126.2-126.7

(56) **References Cited**

**U.S. PATENT DOCUMENTS**

- D. 327,503 \* 6/1992 Szablak et al. .... D19/92
- D. 362,273 \* 9/1995 Trombly ..... D19/92
- D. 362,572 \* 9/1995 Joseph, Jr. .... D19/92

D. 362,687 \* 9/1995 Kirchhoff et al. .... D19/86

\* cited by examiner

*Primary Examiner*—Gary D. Watson

*Assistant Examiner*—Elizabeth Albert

(74) *Attorney, Agent, or Firm*—Cook, Alex, McFarron, Manzo, Cummings & Mehler, Ltd.

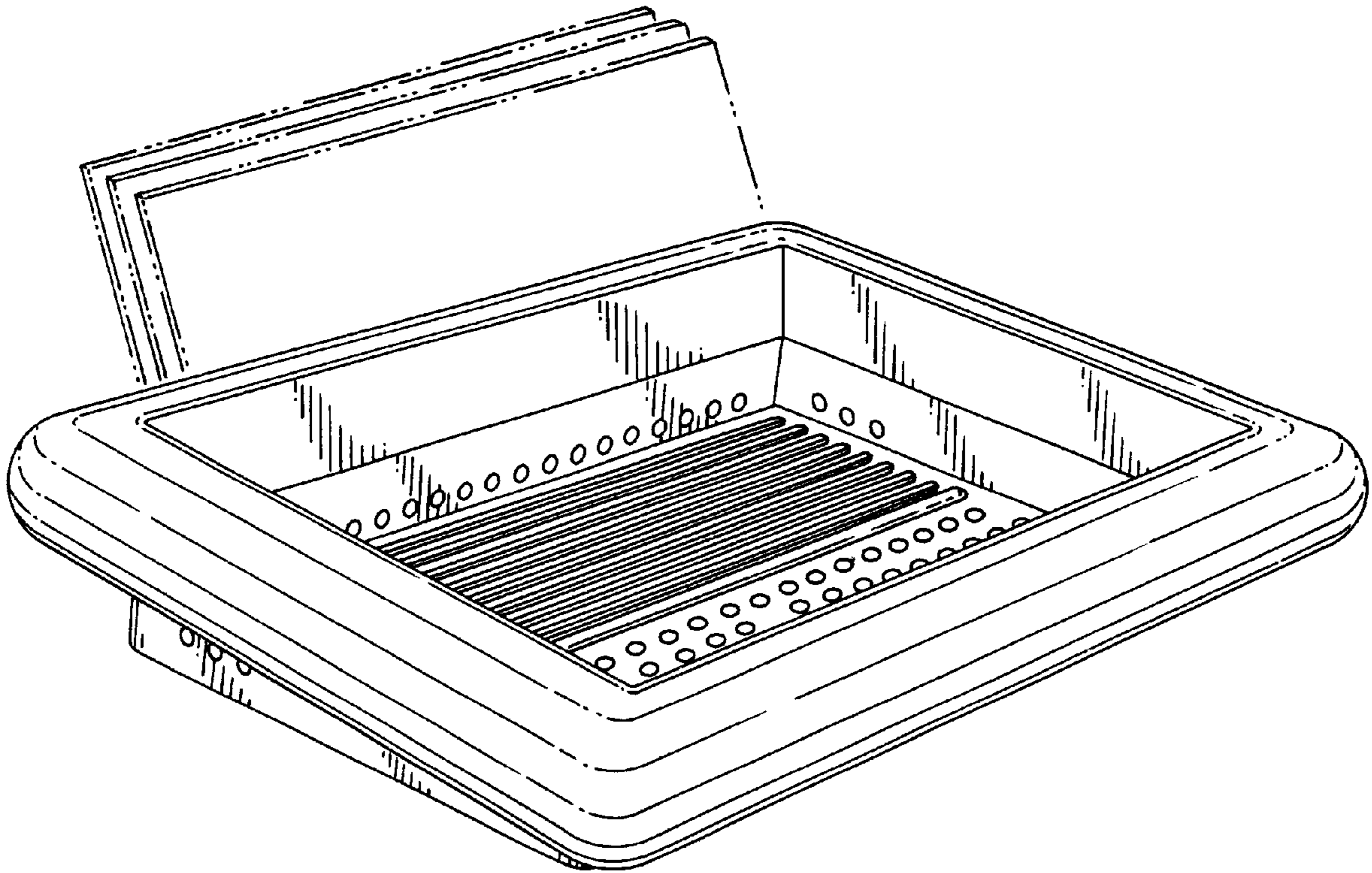
(57) **CLAIM**

The ornamental design for a paper clip-business card holder, as shown and described.

**DESCRIPTION**

FIG. 1 is a perspective view of a paper clip-business card holder of our design;  
 FIG. 2 is a front elevational view thereof;  
 FIG. 3 is a rear elevational view thereof;  
 FIG. 4 is an elevational view of one side thereof, the opposite side being substantially a mirror image thereof;  
 FIG. 5 is a top plan view thereof; and,  
 FIG. 6 is a bottom plan view thereof.  
 The broken lines showing business cards in FIG. 1 are for illustrative purposes only and form no part of the claimed design.

**1 Claim, 2 Drawing Sheets**



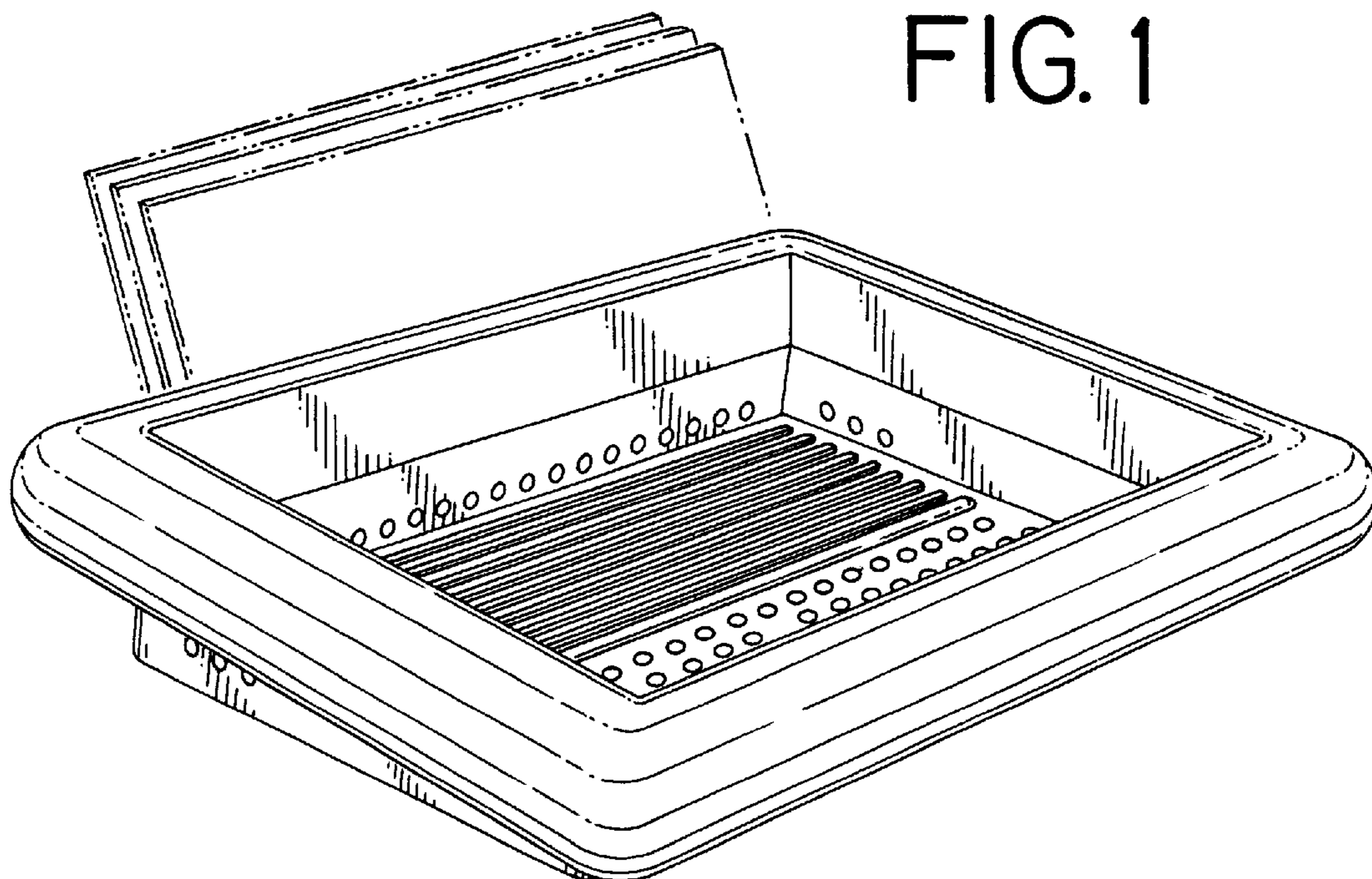


FIG. 2

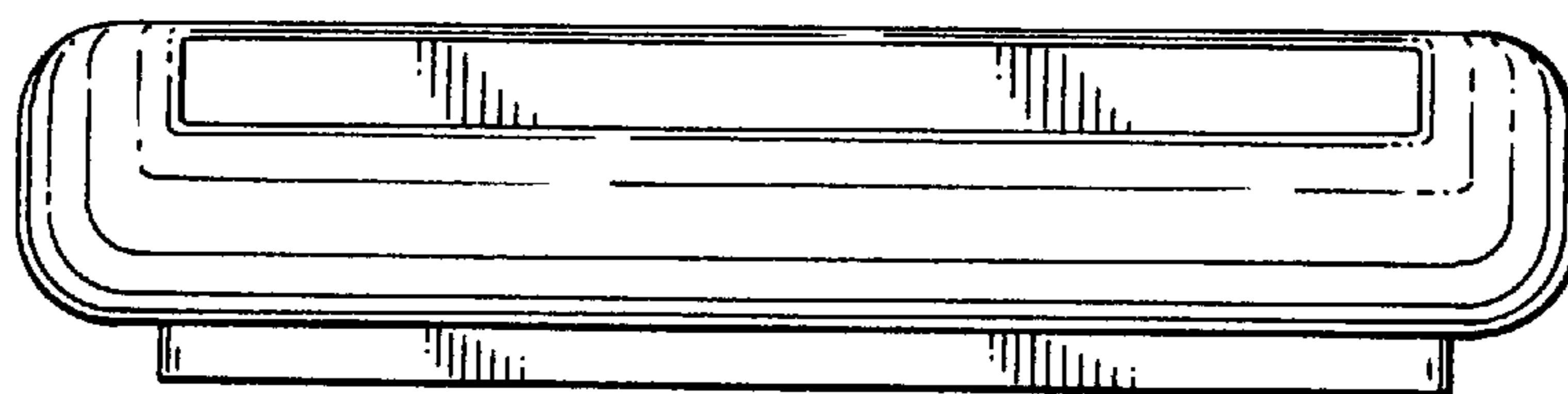


FIG. 3

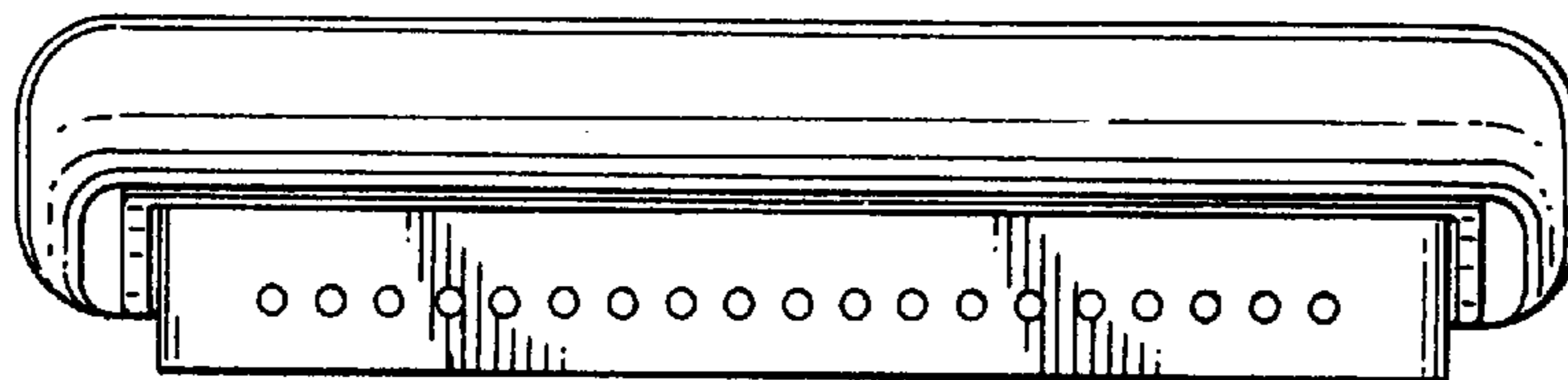


FIG. 4

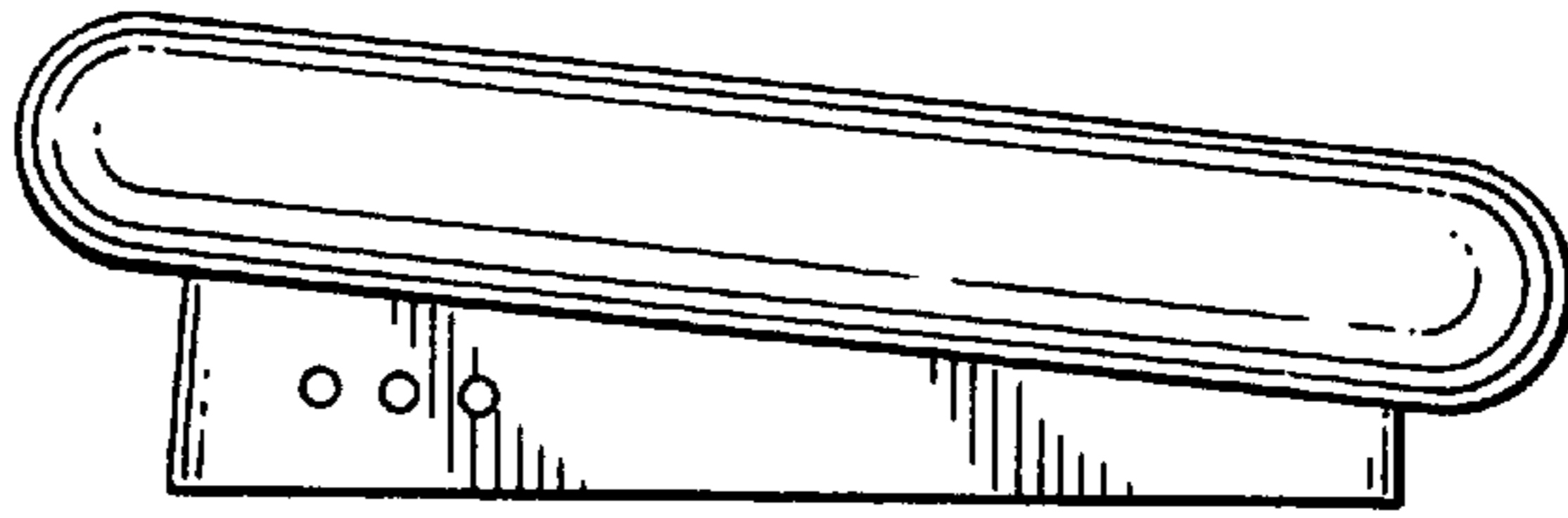


FIG. 5

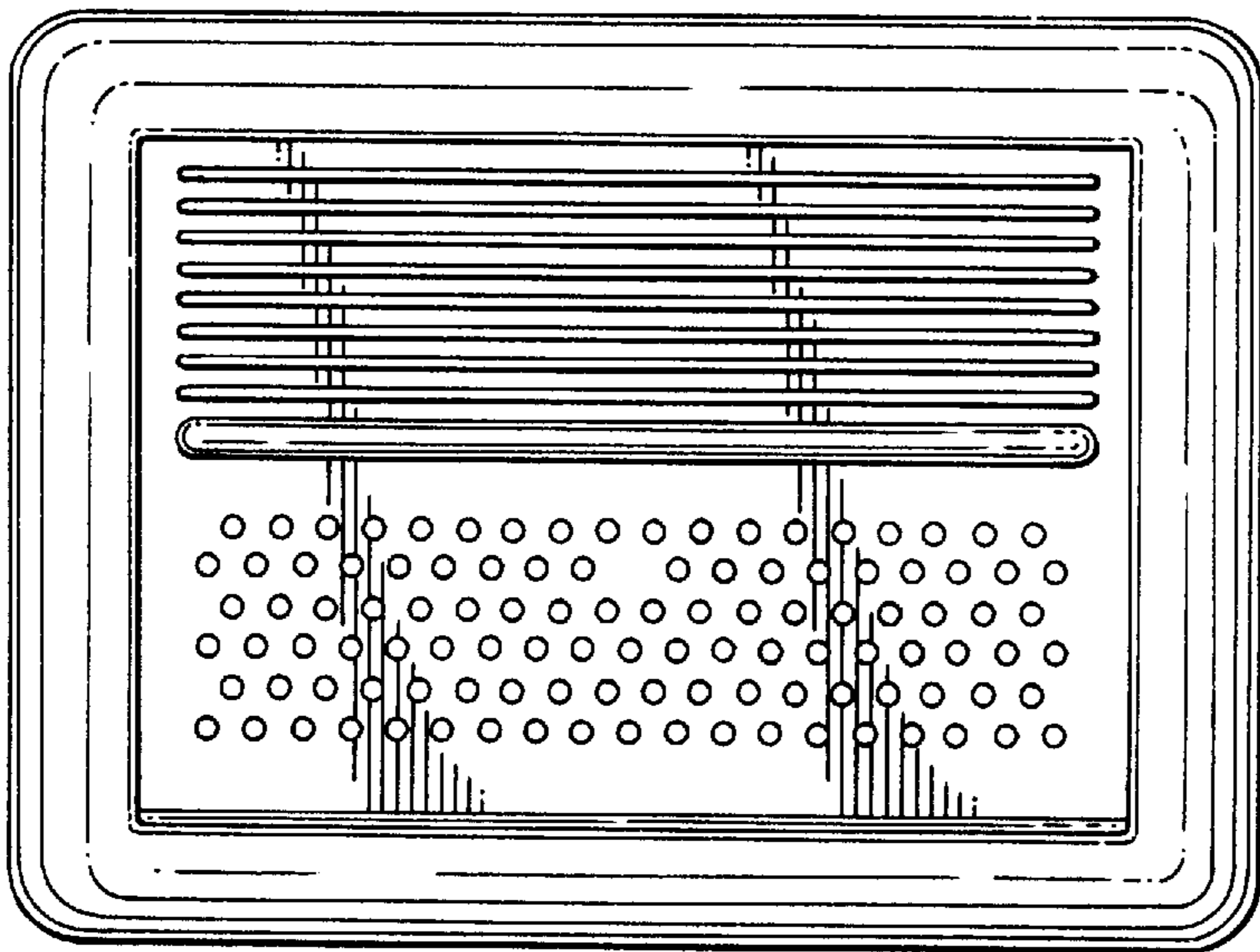


FIG. 6

