



US00D451542B1

(12) **United States Design Patent**  
**Ishizawa et al.**

(10) **Patent No.:** **US D451,542 S**

(45) **Date of Patent:** **\*\* Dec. 4, 2001**

(54) **INK PACK**

(75) Inventors: **Taku Ishizawa; Atsushi Kobayashi,**  
both of Nagano (JP)

(73) Assignee: **Seiko Epson Corporation,** Nagano-ken  
(JP)

(\*\*) Term: **14 Years**

(21) Appl. No.: **29/137,013**

(22) Filed: **Feb. 8, 2001**

(30) **Foreign Application Priority Data**

Aug. 9, 2000 (JP) ..... 12-021985

(51) **LOC (7) Cl.** ..... **18-02**

(52) **U.S. Cl.** ..... **D18/56; 347/86**

(58) **Field of Search** ..... D18/56; 347/86,  
347/87, 9, 92; 222/107, 464.1, 541.6

(56) **References Cited**

**U.S. PATENT DOCUMENTS**

D. 341,157	*	11/1993	Kitahara et al. ....	D18/56
D. 392,995	*	3/1998	Sasaki .....	D18/56
D. 437,350	*	2/2001	Hsu .....	D18/56
D. 444,814	*	7/2001	Hunt .....	D18/56
4,049,033	*	9/1977	Ralston, Jr. ....	604/408
4,484,351	*	11/1984	Leeuwe et al. ....	383/9
4,984,712	*	1/1991	Renault .....	222/107

5,226,564	*	7/1993	Steer et al. ....	222/107
5,261,881	*	11/1993	Riner .....	222/107
5,307,091	*	4/1994	DeCoste, Jr. ....	347/86
5,373,965	*	12/1994	Halm et al. ....	222/107
5,574,489	*	11/1996	Cowger et al. ....	347/86
5,647,511	*	7/1997	Bond .....	222/107
5,691,755	*	11/1997	Pawlowski, Jr. et al. ....	347/86
5,699,936	*	12/1997	Sakamoto .....	222/107
6,053,606	*	4/2000	Yamaguchi et al. ....	347/86
6,106,112	*	8/2000	Okubo et al. ....	347/86
6,220,702	*	4/2001	Nakamura et al. ....	347/86
6,227,662	*	5/2001	Takata .....	347/86
6,241,122	*	6/2001	Araki et al. ....	222/107

\* cited by examiner

*Primary Examiner*—Cathy Anne MacCormac

(74) *Attorney, Agent, or Firm*—Stroock & Stroock & Lavan  
LLP

(57) **CLAIM**

The ornamental design for an ink pack, as shown and described.

**DESCRIPTION**

FIG. 1 is a front perspective view of an ink pack;  
FIG. 2 is a front elevational view thereof;  
FIG. 3 is a top plan view thereof;  
FIG. 4 is a left side elevational view thereof; and,  
FIG. 5 is a right side elevational view thereof.

**1 Claim, 3 Drawing Sheets**

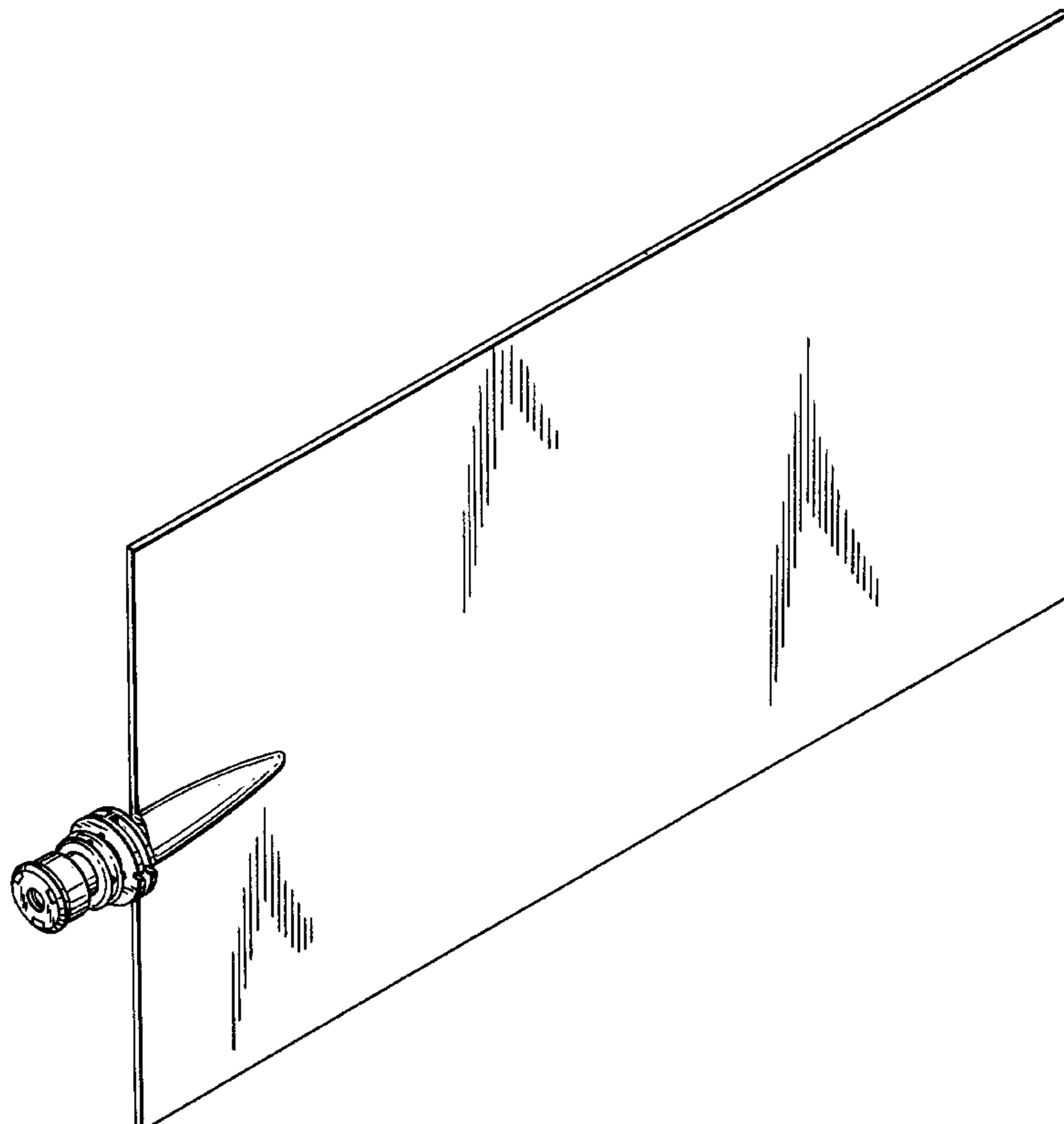
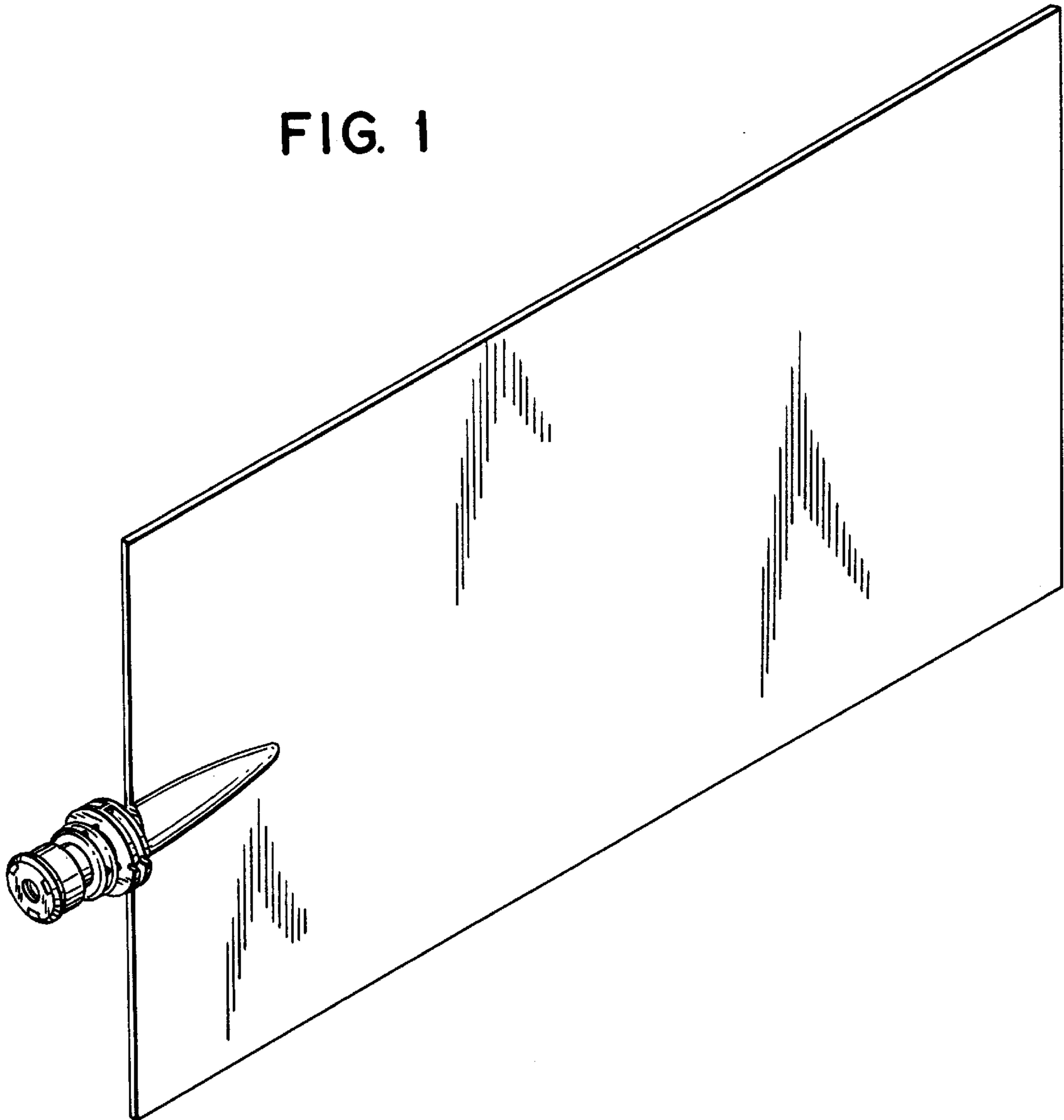


FIG. 1



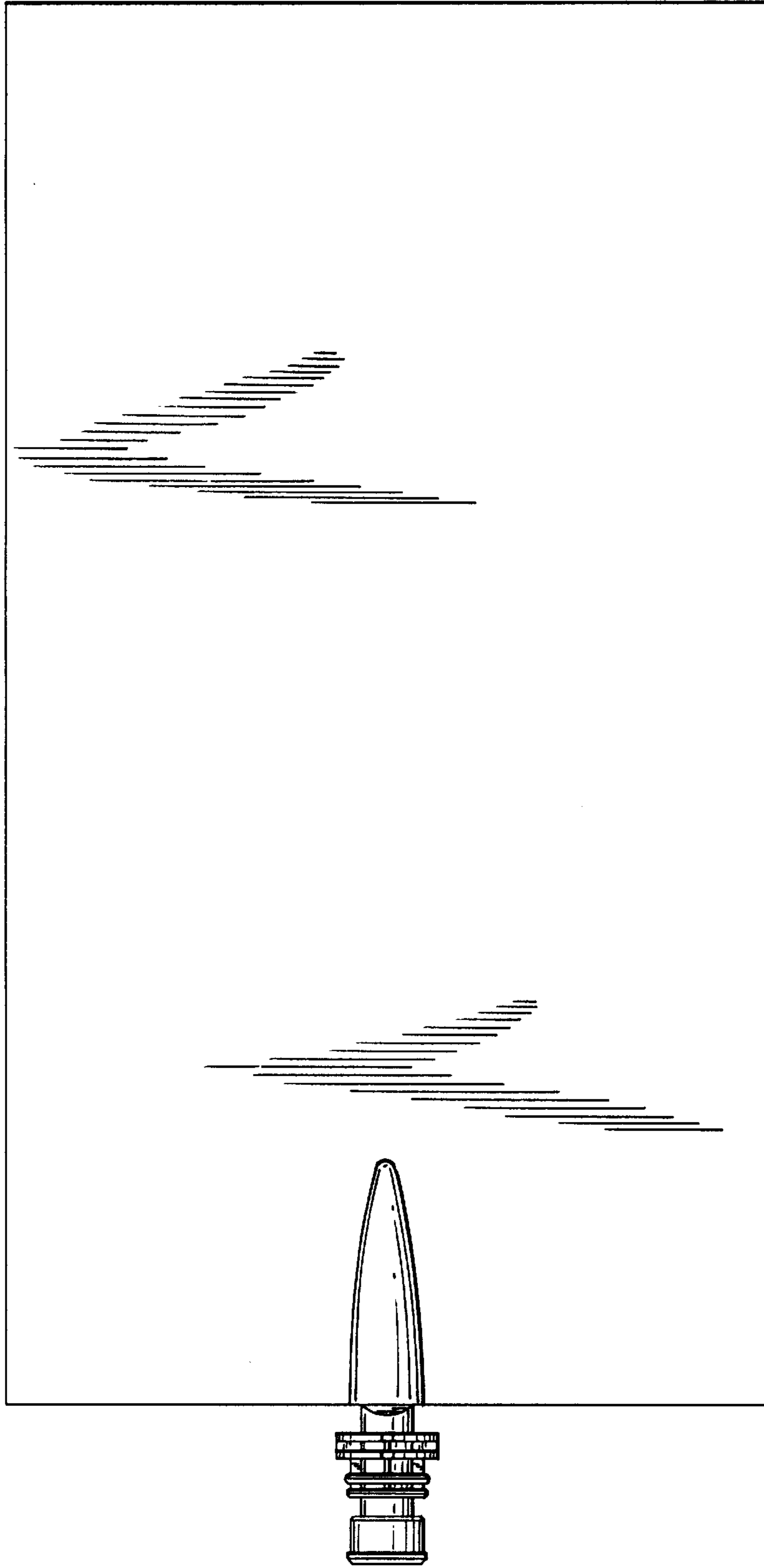


FIG. 2

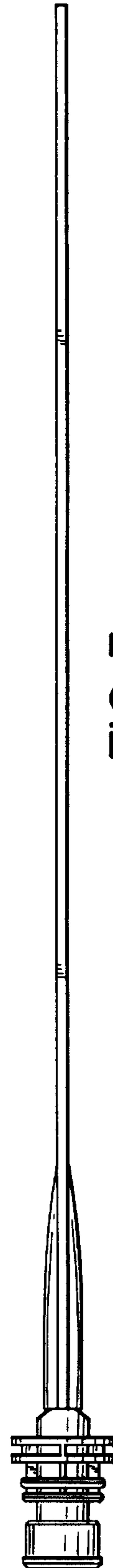


FIG. 3

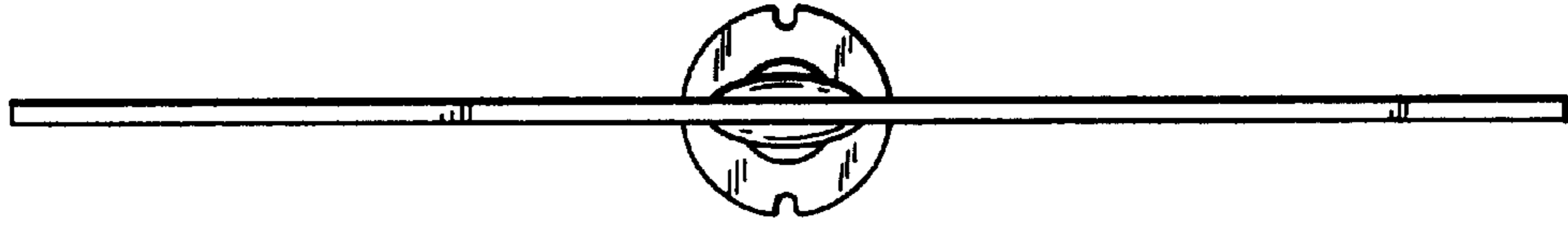


FIG. 5

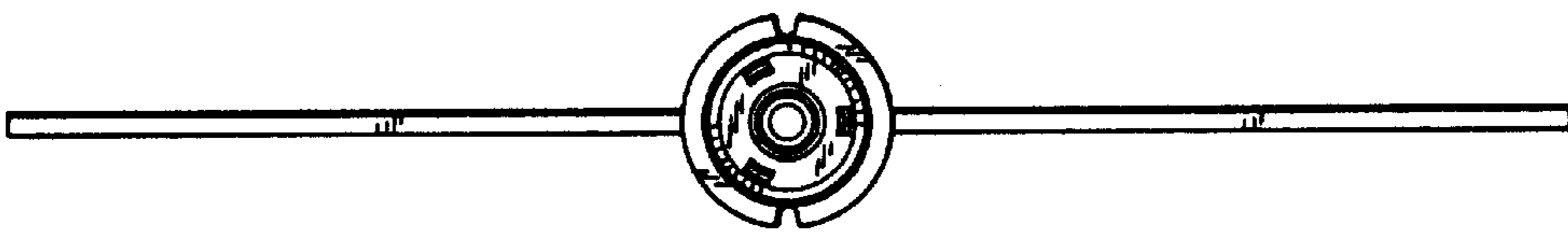


FIG. 4