



US00D451540B1

(12) **United States Design Patent**
Tokuda et al.

(10) **Patent No.:** **US D451,540 S**

(45) **Date of Patent:** **** Dec. 4, 2001**

(54) **PRINTER**

(75) Inventors: **Hiroyuki Tokuda**, Irvine; **Aage Ryoichi Granaas**, Redwood City, both of CA (US)

(73) Assignee: **Canon Kabushiki Kaisha**, Tokyo (JP)

(**) Term: **14 Years**

(21) Appl. No.: **29/129,447**

(22) Filed: **Sep. 13, 2000**

(51) **LOC (7) Cl.** **14-02**

(52) **U.S. Cl.** **D18/55**

(58) **Field of Search** D18/50, 54-55,
D18/36-39; D14/462-470; 400/613, 613.1-613.4,
690.1-690.4, 691-694

(56) **References Cited**

U.S. PATENT DOCUMENTS

- D. 363,506 * 10/1995 Inukai D18/55
- D. 367,882 * 3/1996 Parsey et al. D18/55

- D. 400,918 * 11/1998 Kobayashi et al. D18/55
- D. 430,894 * 9/2000 Inoue D18/54
- D. 433,443 * 11/2000 Ito et al. D18/55
- D. 435,266 * 12/2000 Sekine et al. D18/55
- D. 435,860 * 1/2001 Chen D18/55
- D. 439,607 * 3/2001 Inoue et al. D18/54

* cited by examiner

Primary Examiner—Cathy Anne MacCormac

(74) *Attorney, Agent, or Firm*—Fitzpatrick, Cella, Harper & Scinto

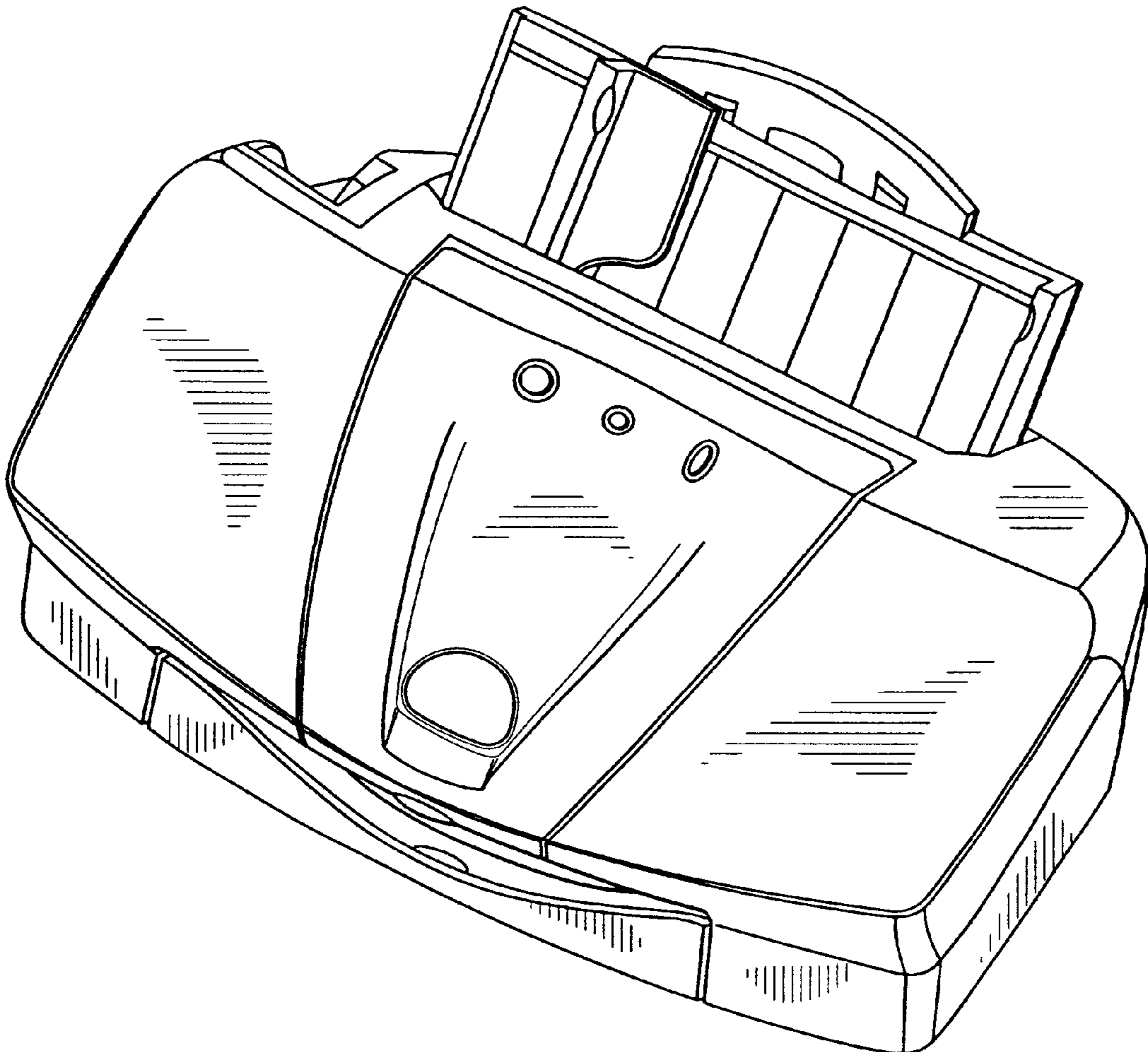
(57) **CLAIM**

The ornamental design for a printer, as shown and described.

DESCRIPTION

FIG. 1 is a perspective view of the printer;
FIG. 2 is a front view of the printer;
FIG. 3 is a rear view of the printer;
FIG. 4 is a left side view of the printer;
FIG. 5 is a right side view of the printer; and,
FIG. 6 is a top view of the printer.

1 Claim, 3 Drawing Sheets



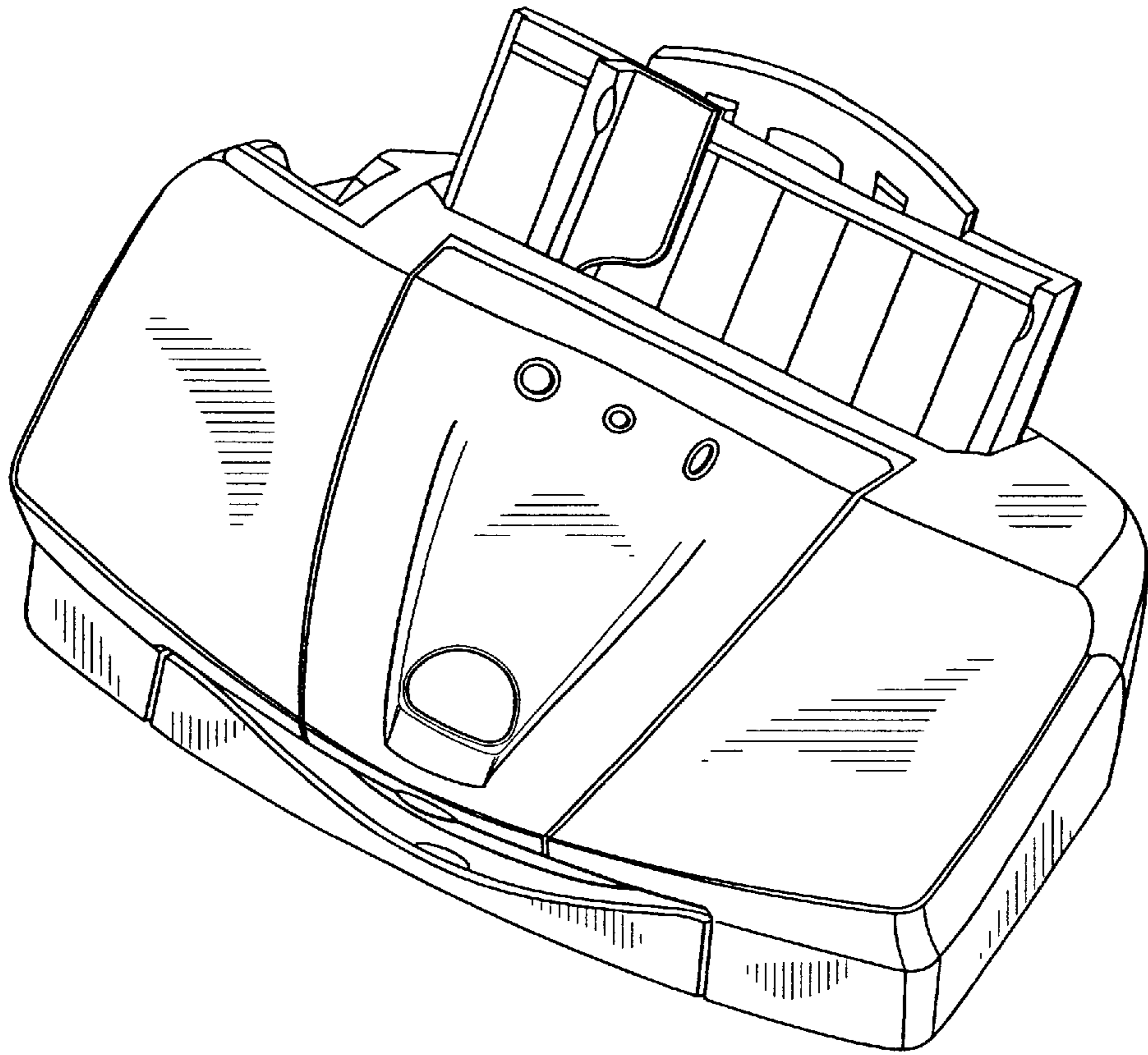


FIG. 1

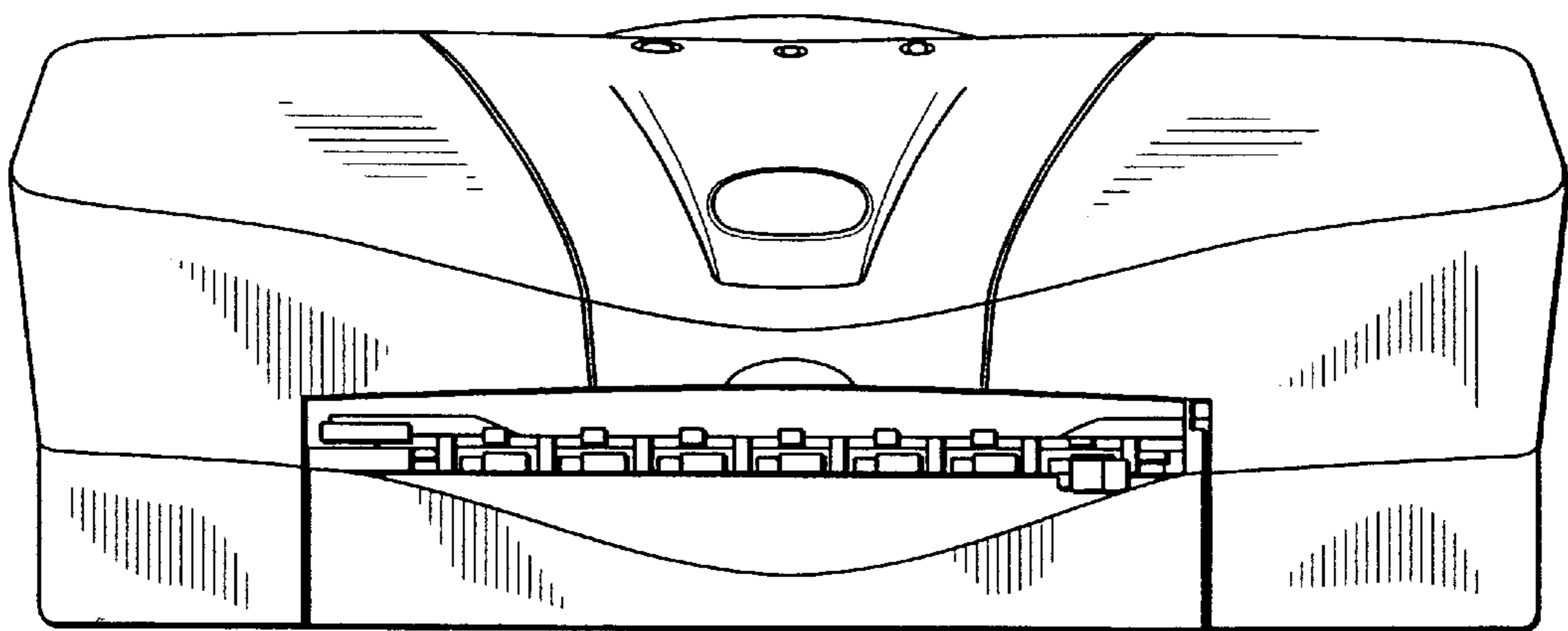


FIG. 2

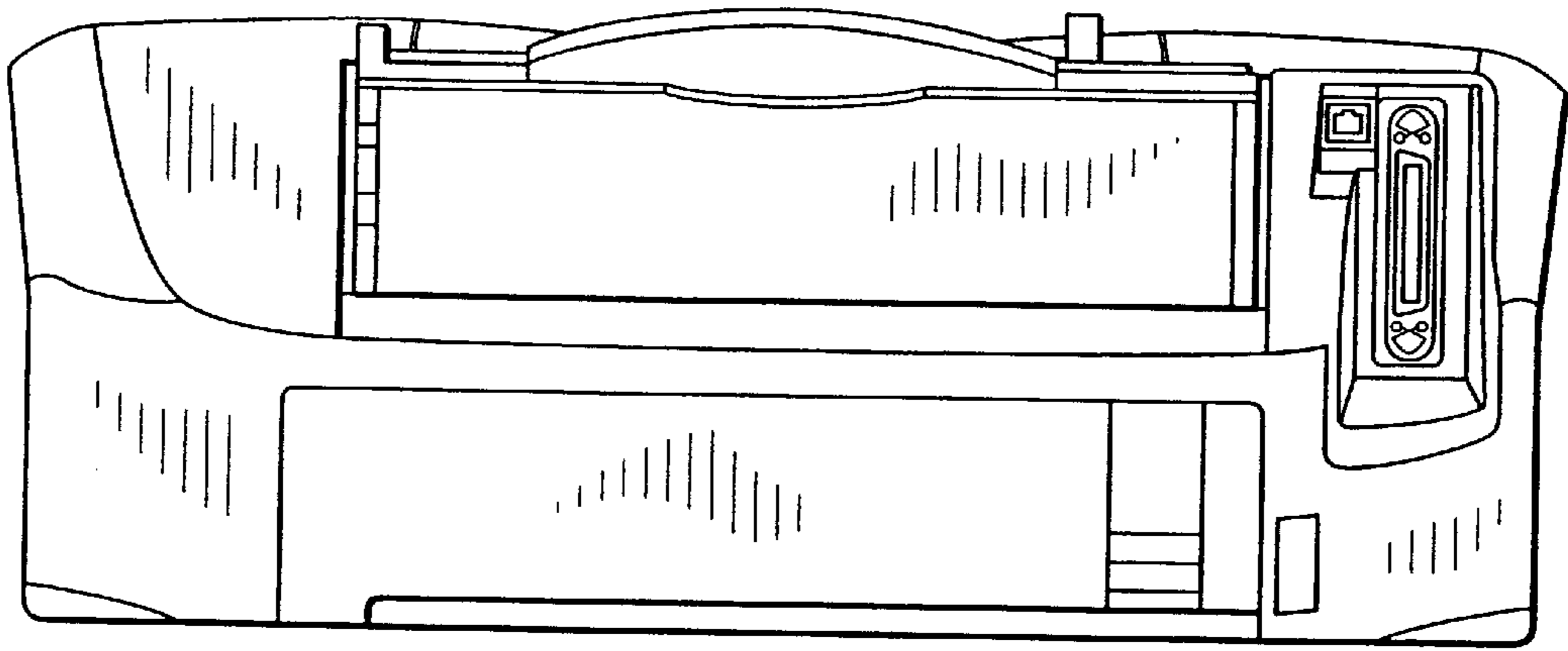


FIG. 3

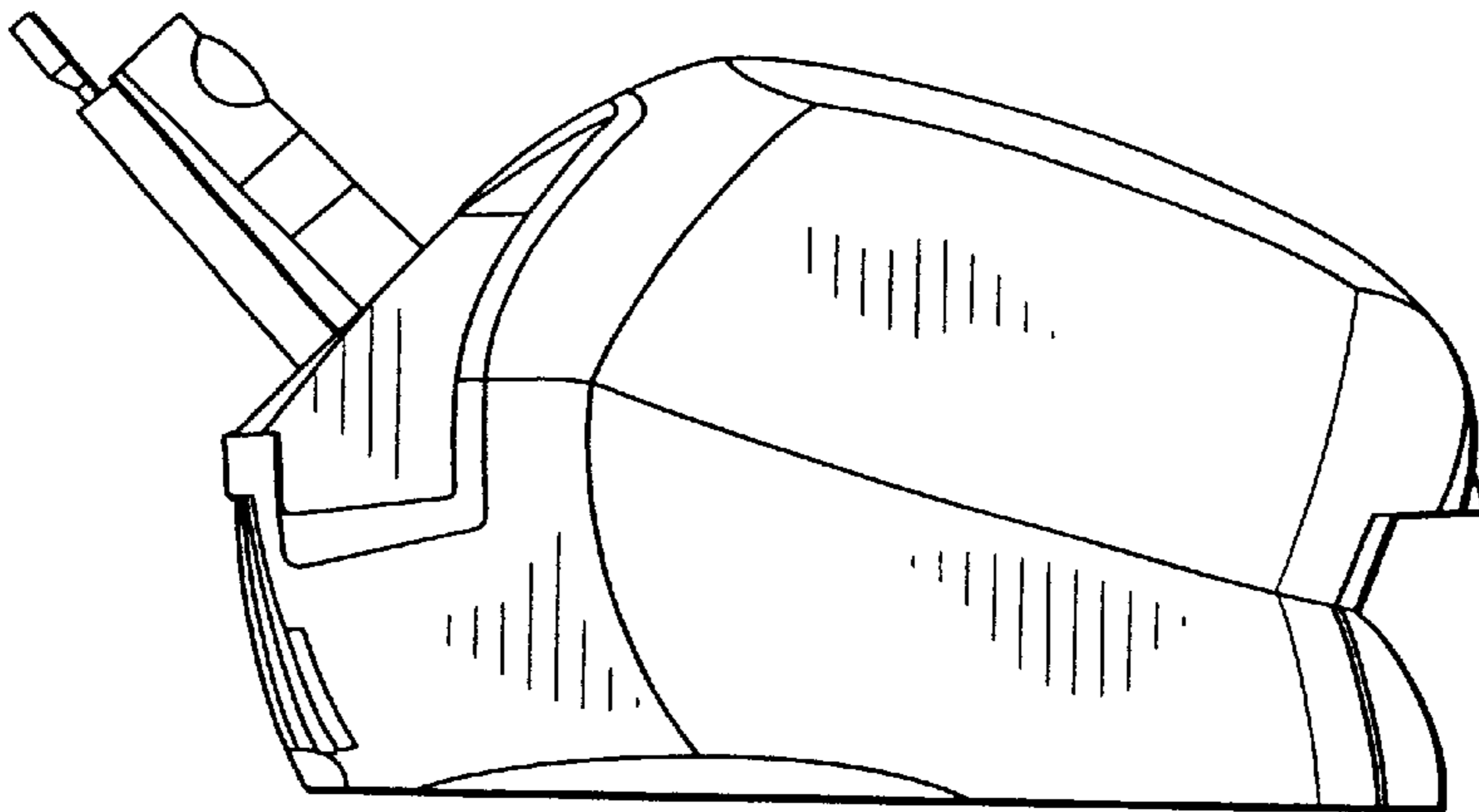


FIG. 4

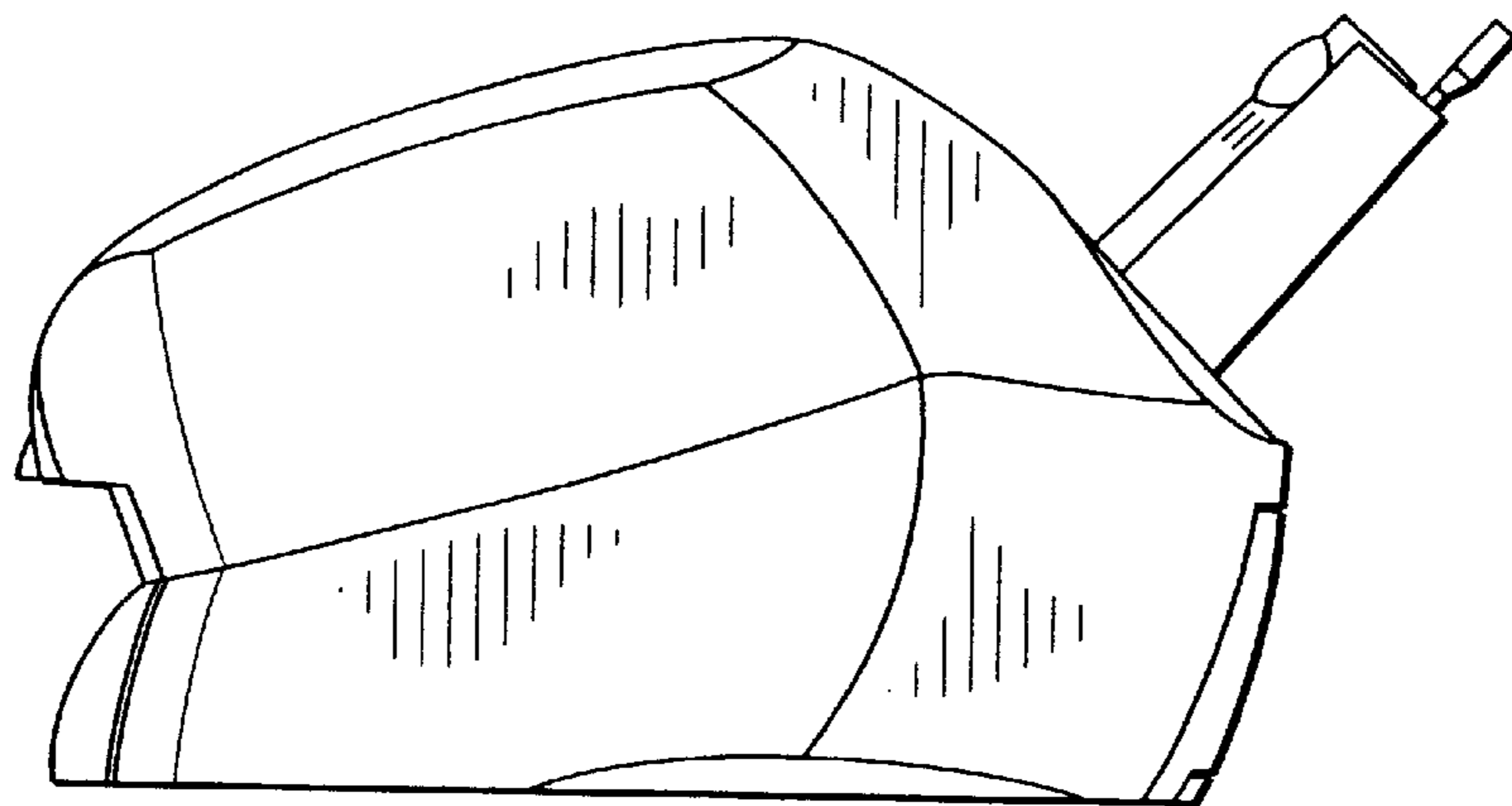


FIG. 5

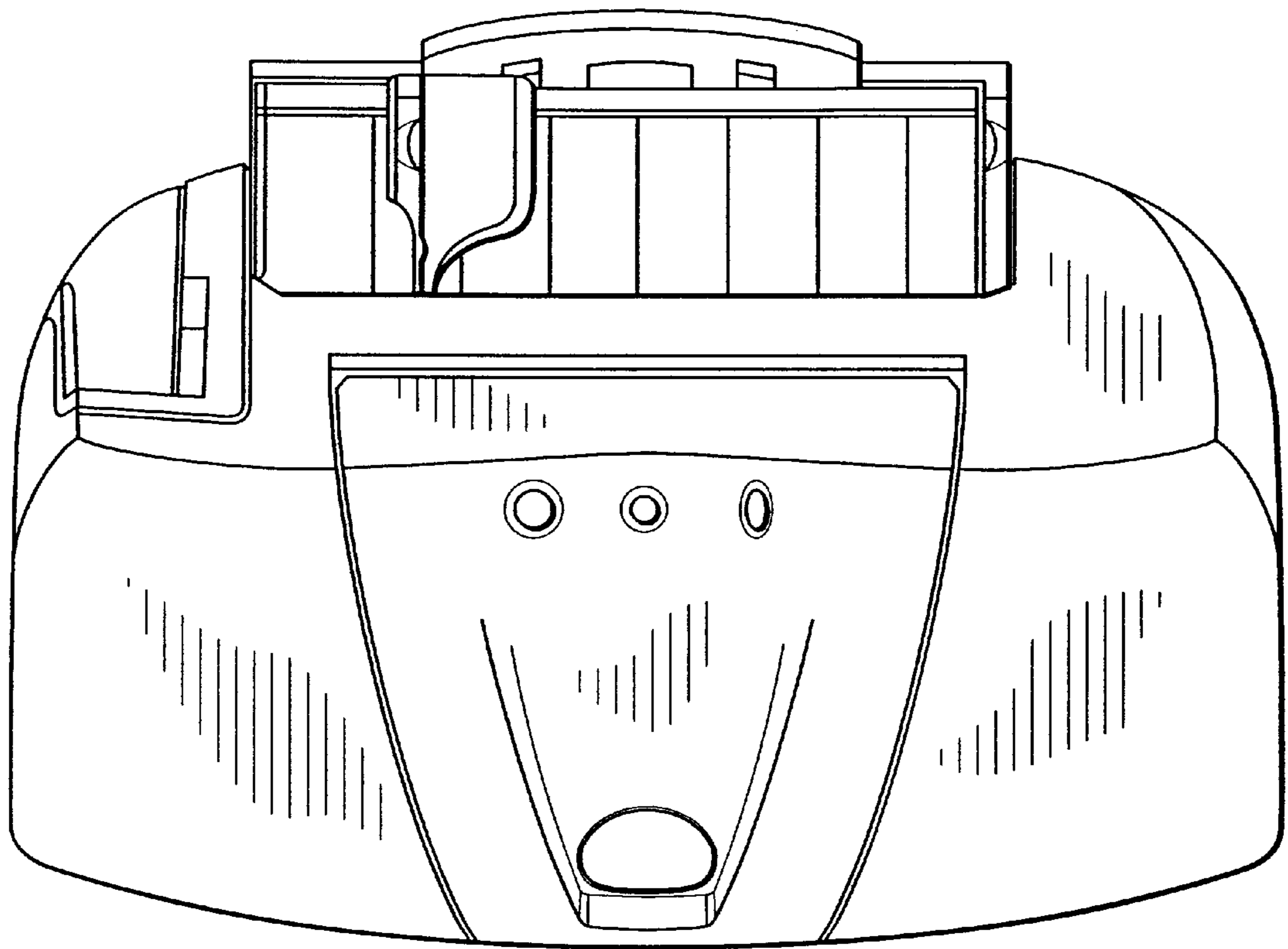


FIG. 6