



US00D451538B1

(12) **United States Design Patent**
Schwamkrug et al.

(10) **Patent No.:** **US D451,538 S**

(45) **Date of Patent:** **** Dec. 4, 2001**

(54) **DEVELOPER SUPPLYING DEVICE FOR AN IMAGE FORMING APPARATUS**

(75) Inventors: **Christian Schwamkrug**, Zell am See (AT); **Tsutomu Ashikari**, Osaka (JP)

(73) Assignee: **Kyocera Mita Corporation**, Osaka (JP)

(**) Term: **14 Years**

(21) Appl. No.: **29/138,503**

(22) Filed: **Mar. 16, 2001**

(30) **Foreign Application Priority Data**

Sep. 19, 2000 (JP) 12-026175

(51) **LOC (7) Cl.** **16-03**

(52) **U.S. Cl.** **D18/40**

(58) **Field of Search** D18/40, 43, 56; 399/24-28, 61, 99, 106, 111, 262; 222/DIG. 1

(56) **References Cited**

U.S. PATENT DOCUMENTS

D. 379,829 * 6/1997 Hayashi D18/56

D. 401,618 * 11/1998 Ikehata D18/43

D. 428,050 * 7/2000 Nishiyama et al. D18/43

D. 436,986 * 1/2001 Joroku et al. D18/43

D. 442,214 * 5/2001 Hayashi D18/43

* cited by examiner

Primary Examiner—Caron D. Veynar

(74) *Attorney, Agent, or Firm*—Smith, Gambrell & Russell, LLP

(57) **CLAIM**

The ornamental design for a developer supplying device for an image forming apparatus, as shown and described.

DESCRIPTION

FIG. 1 is a perspective view of a developer supplying device for an image forming apparatus showing our new design; FIG. 2 shows a front elevation view thereof; FIG. 3 shows a left side elevation view thereof; FIG. 4 shows a right side elevation view thereof; FIG. 5 shows a rear elevation view thereof; FIG. 6 shows a top plan view thereof; and, FIG. 7 shows a bottom plan view thereof.

1 Claim, 3 Drawing Sheets

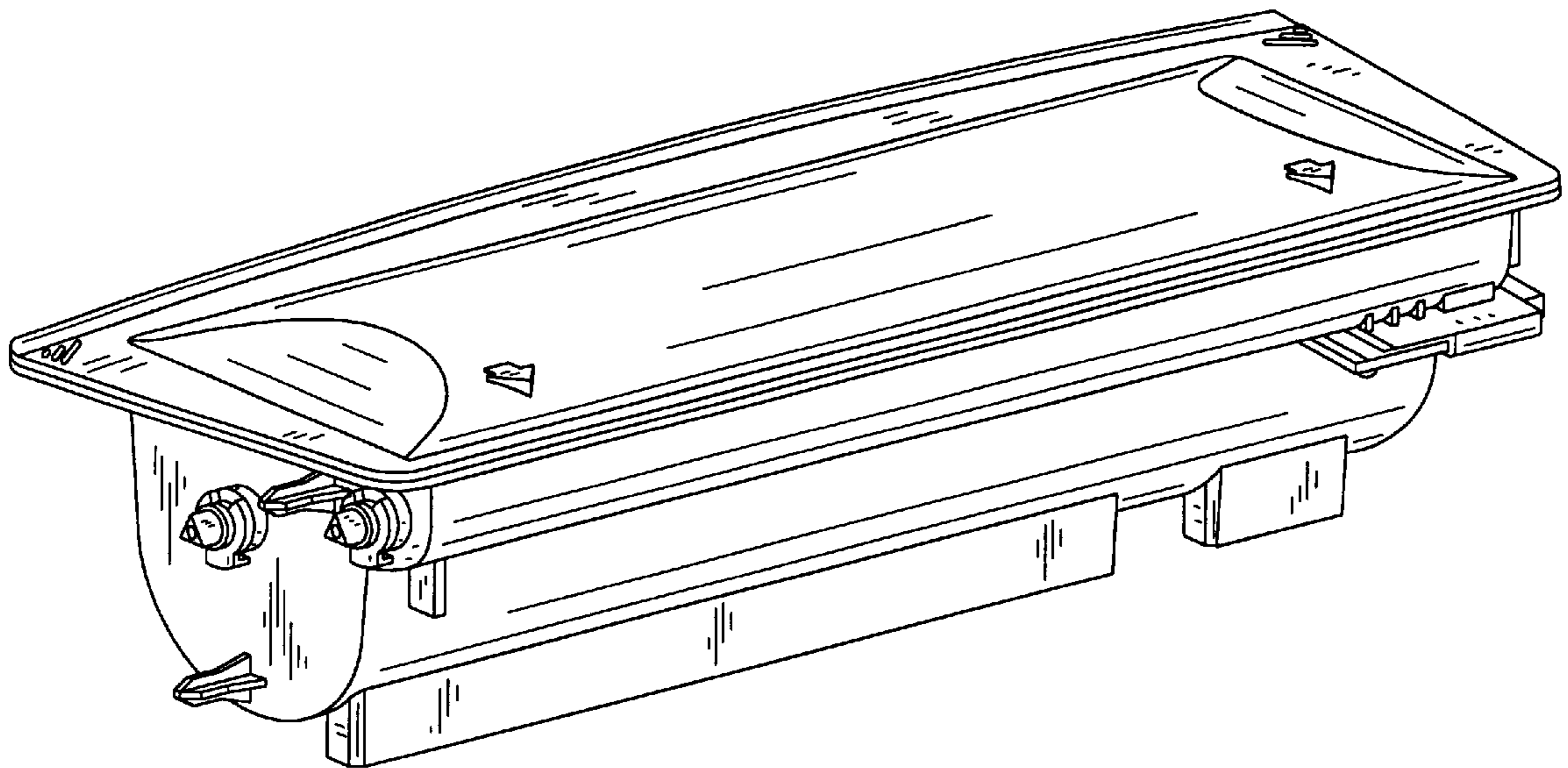


FIG. 1

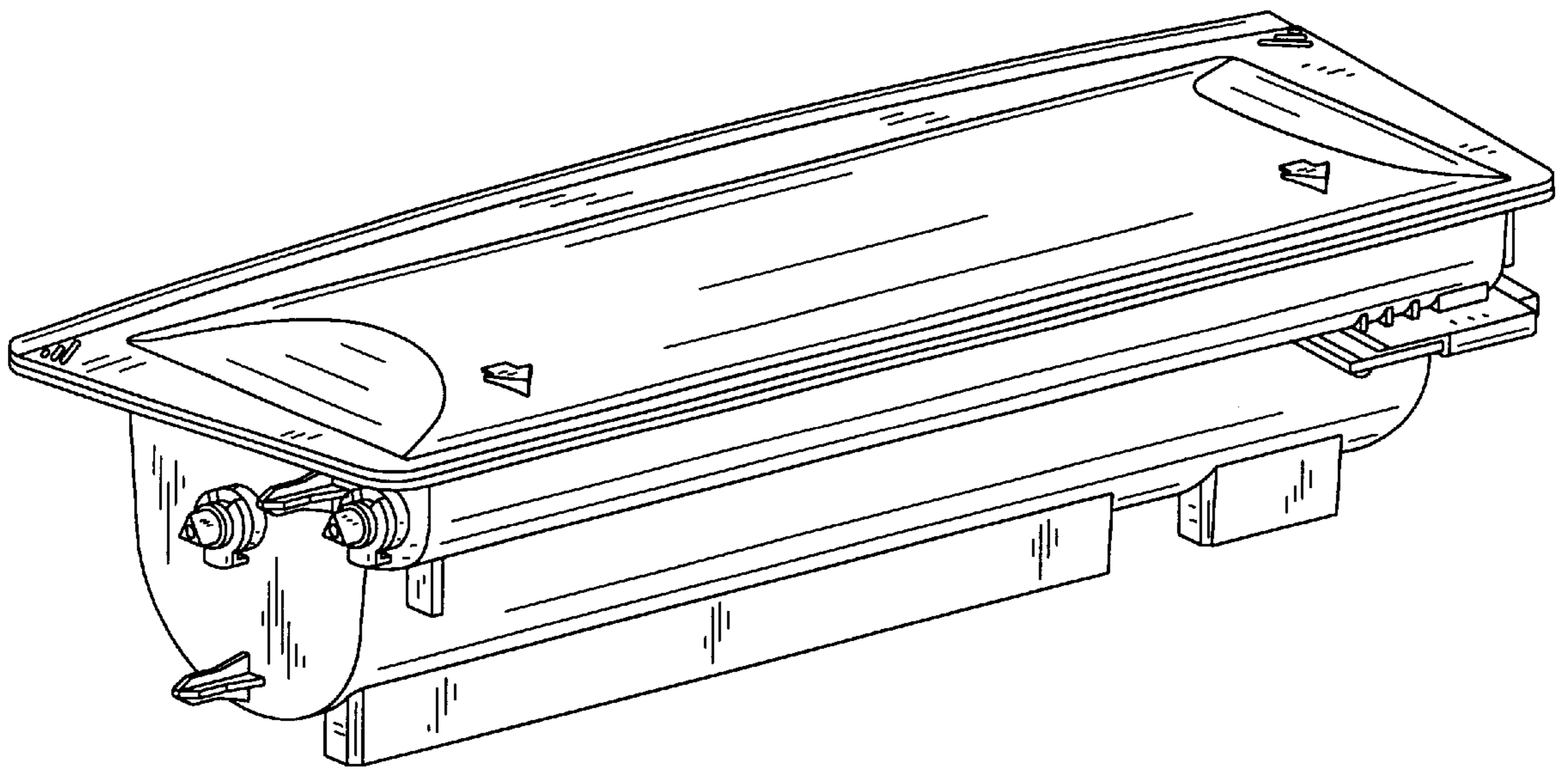


FIG. 2

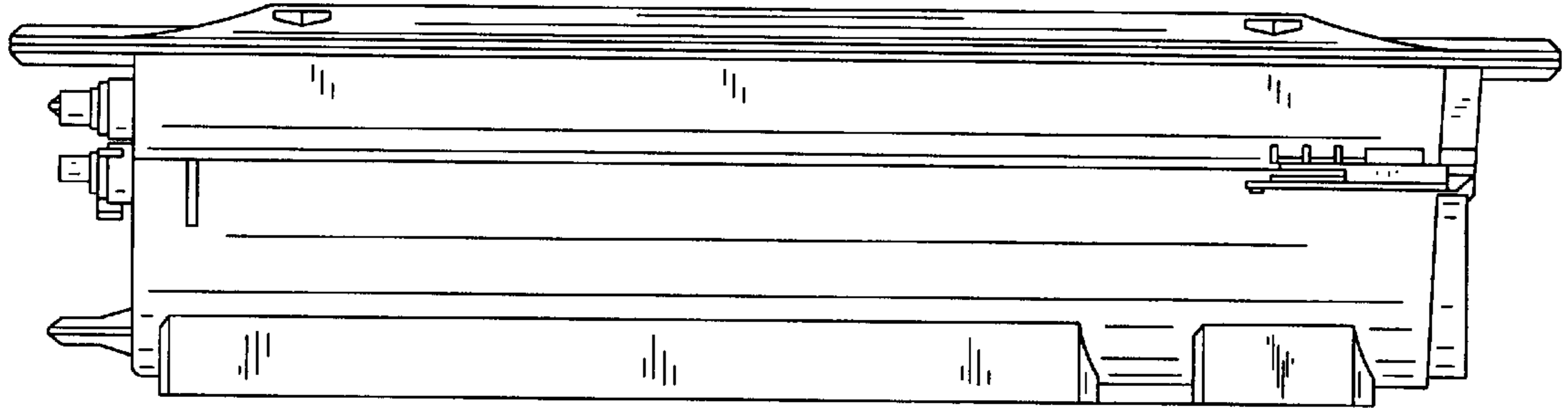


FIG. 3

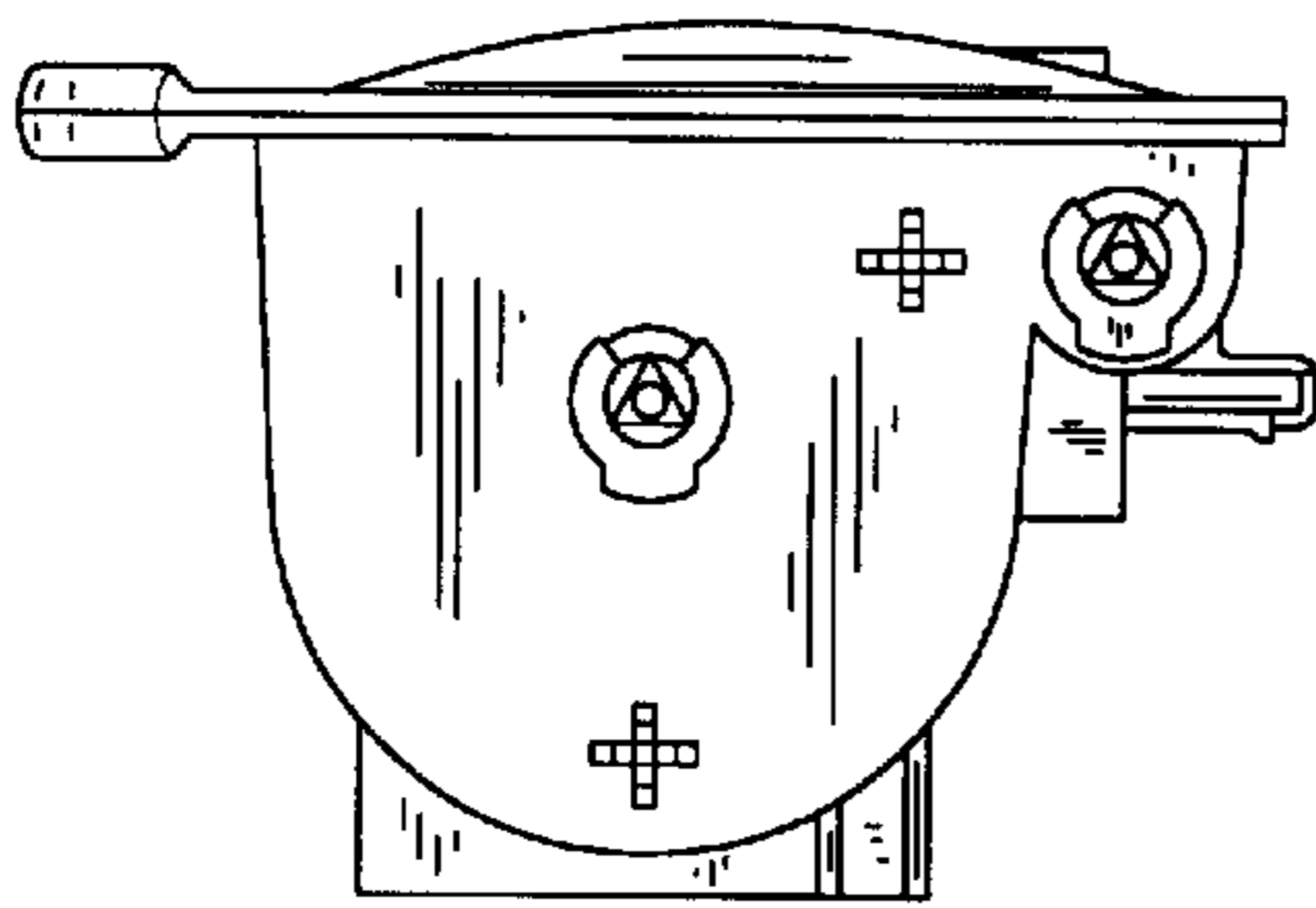


FIG. 4

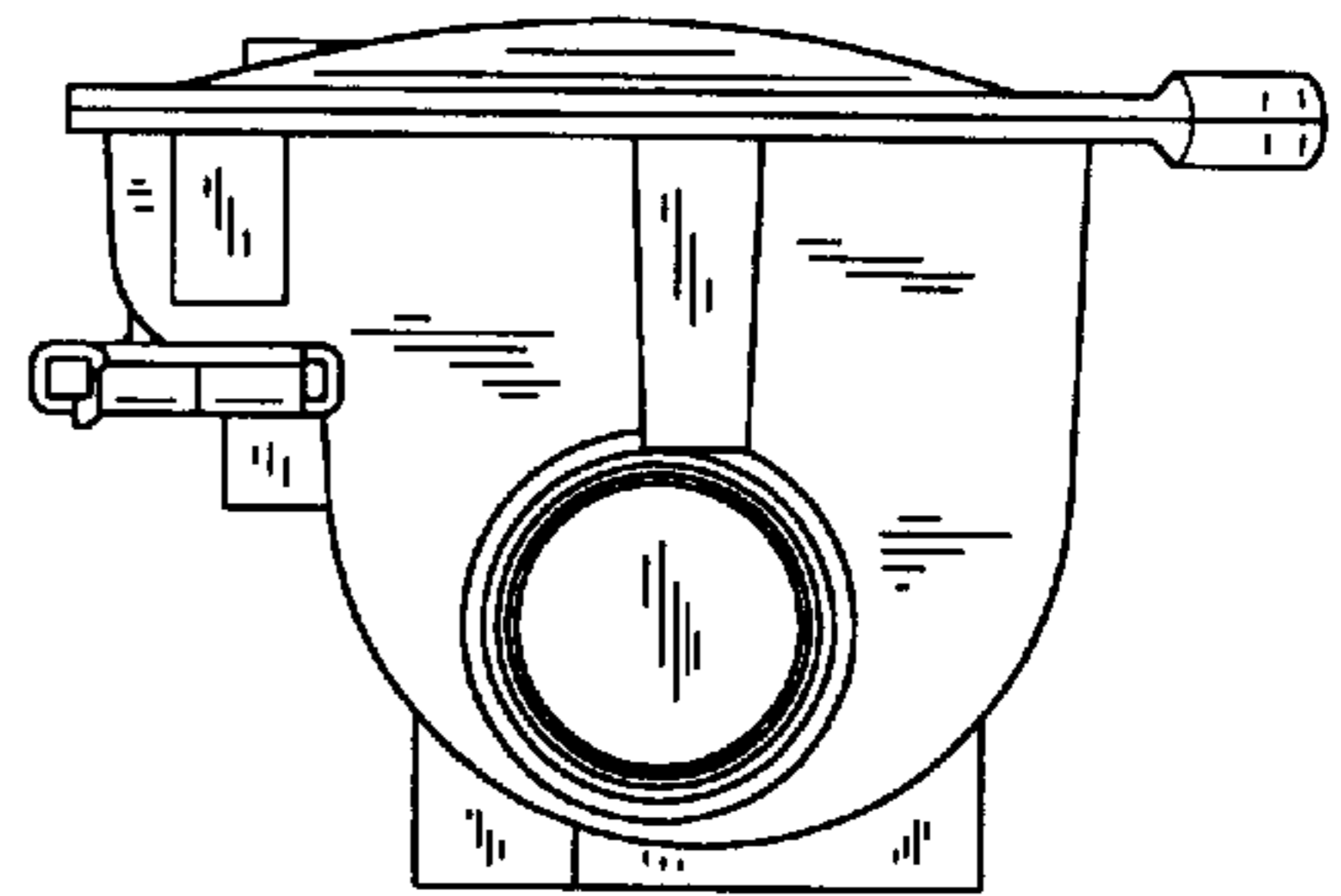


FIG. 5

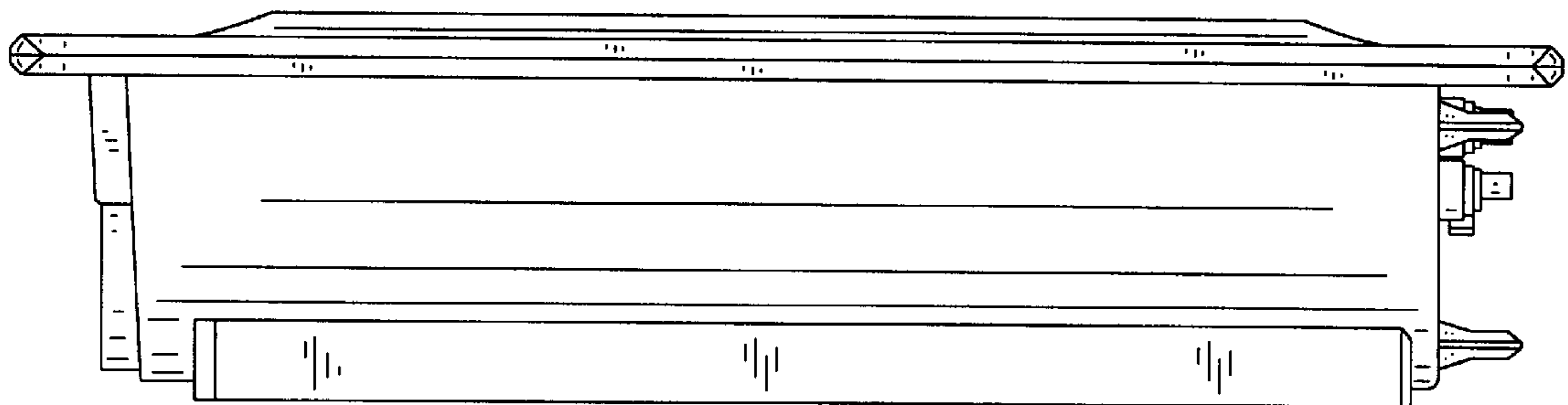


FIG. 6

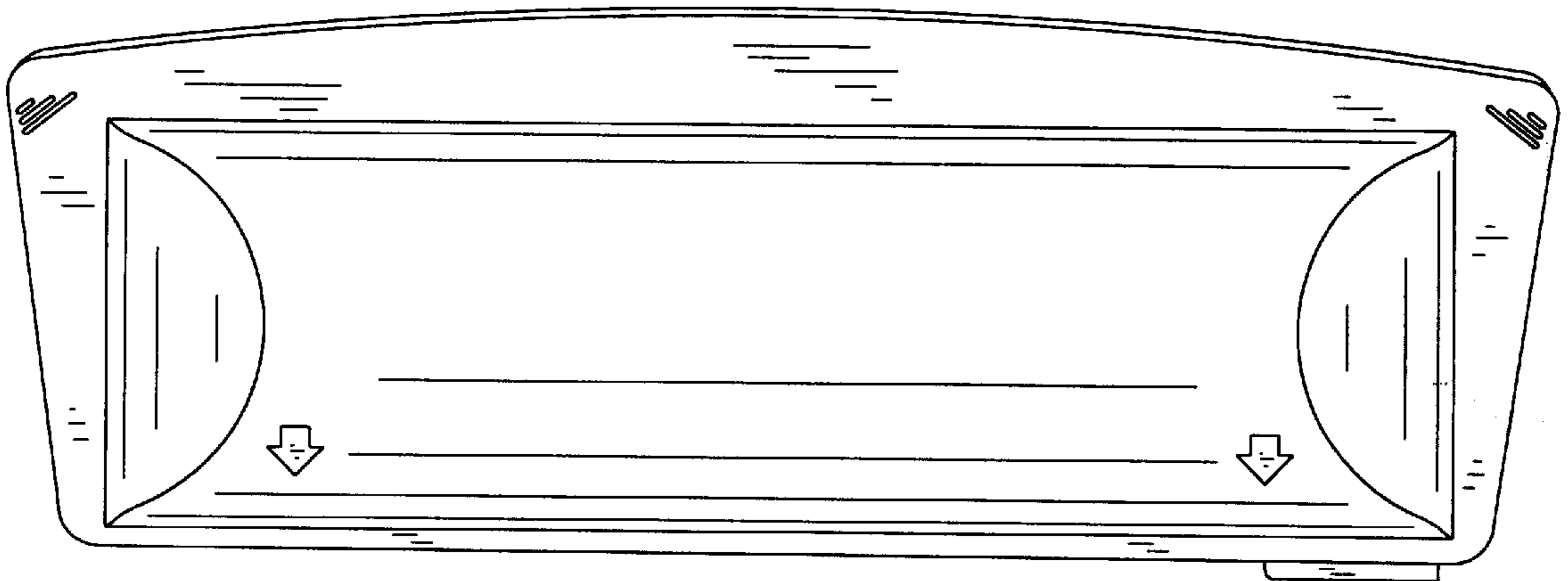


FIG. 7

