



US00D451537B1

(12) **United States Design Patent**  
**Ozawa et al.**

(10) **Patent No.:** **US D451,537 S**

(45) **Date of Patent:** **\*\* Dec. 4, 2001**

(54) **IMAGE FORMING APPARATUS**

D. 395,668 \* 6/1998 Yasuda ..... D18/43  
D. 408,845 \* 4/1999 Harumoto ..... D18/43

(75) Inventors: **Junichi Ozawa; Takashi Kanagawa;**  
**Tomokazu Kurita**, all of Ebina (JP)

\* cited by examiner

(73) Assignee: **Fuji Xerox Co., Ltd.**, Tokyo (JP)

*Primary Examiner*—Caron D. Veynar

(74) *Attorney, Agent, or Firm*—Oliff & Berridge, PLC

(\*\*) Term: **14 Years**

(57) **CLAIM**

(21) Appl. No.: **29/133,746**

The ornamental design for an image forming apparatus, as shown and described.

(22) Filed: **Dec. 7, 2000**

**DESCRIPTION**

(30) **Foreign Application Priority Data**

Jun. 13, 2000 (JP) ..... 12-015867

FIG. 1 is a perspective view of the top, front and left side of an image forming apparatus showing our new design;

FIG. 2 is a perspective view of the rear, bottom and right side thereof;

(51) **LOC (7) Cl.** ..... **16-03**

(52) **U.S. Cl.** ..... **D18/40**

FIG. 3 is a top plan view thereof;

FIG. 4 is a front view thereof;

(58) **Field of Search** ..... D18/40, 43, 56;

FIG. 5 is a bottom view thereof;

FIG. 6 is a left side view thereof;

399/24, 25, 27, 28, 31, 130, 262

FIG. 7 is a right side view thereof; and,

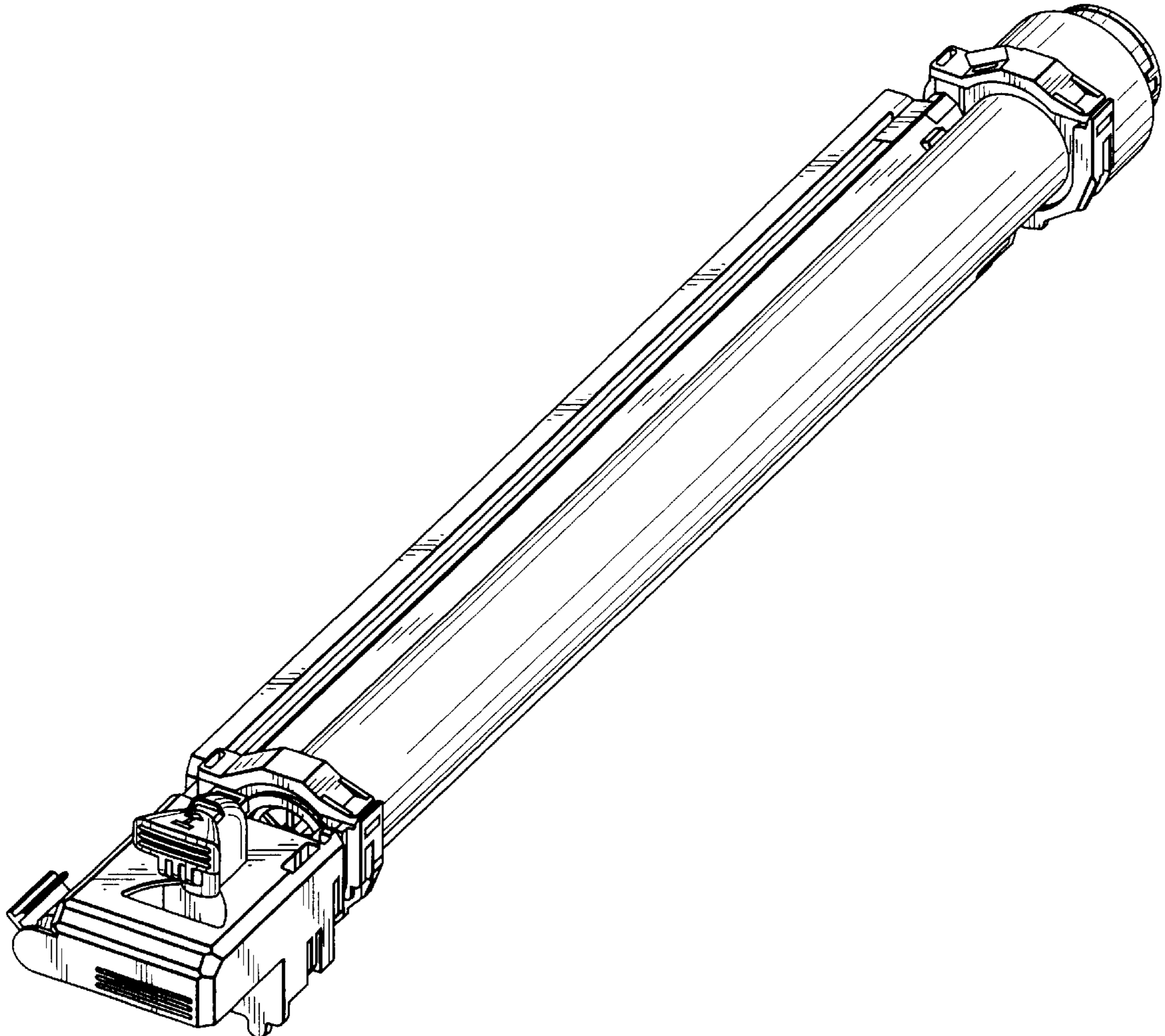
FIG. 8 is a rear view thereof.

(56) **References Cited**

**U.S. PATENT DOCUMENTS**

D. 381,677 \* 7/1997 Makino ..... D18/43

**1 Claim, 4 Drawing Sheets**



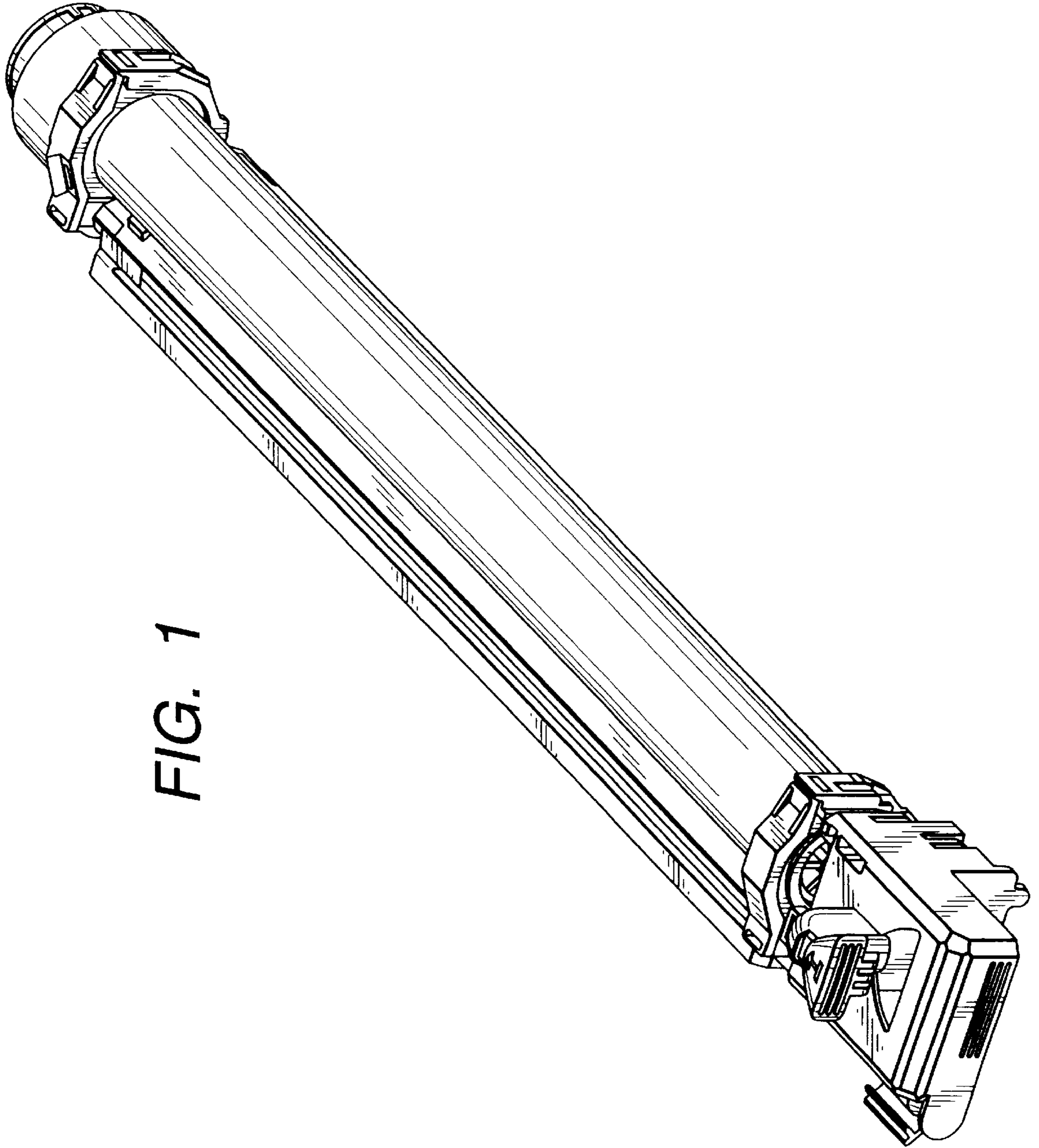


FIG. 1

FIG. 2

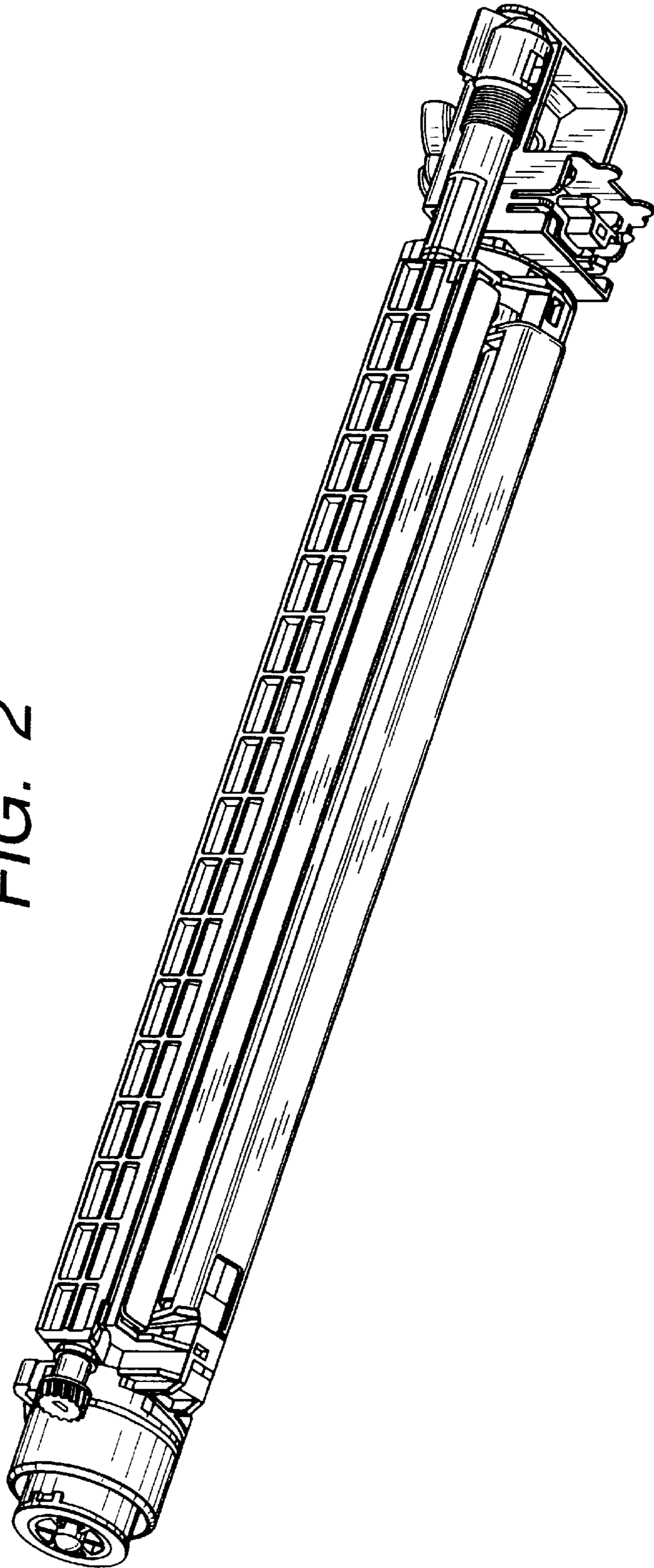


FIG. 3

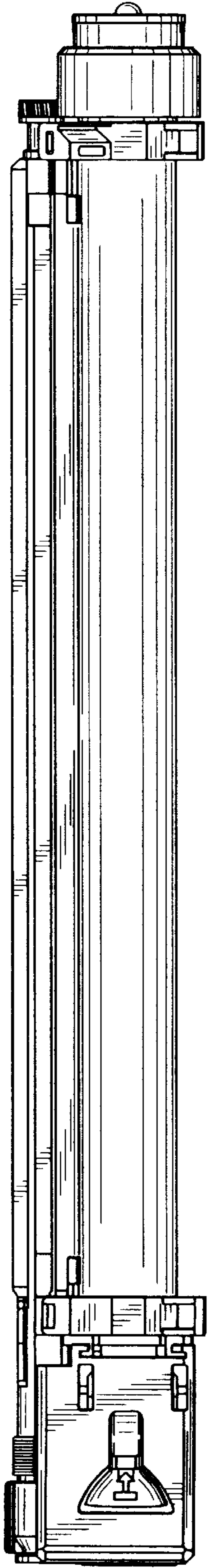


FIG. 4



FIG. 5

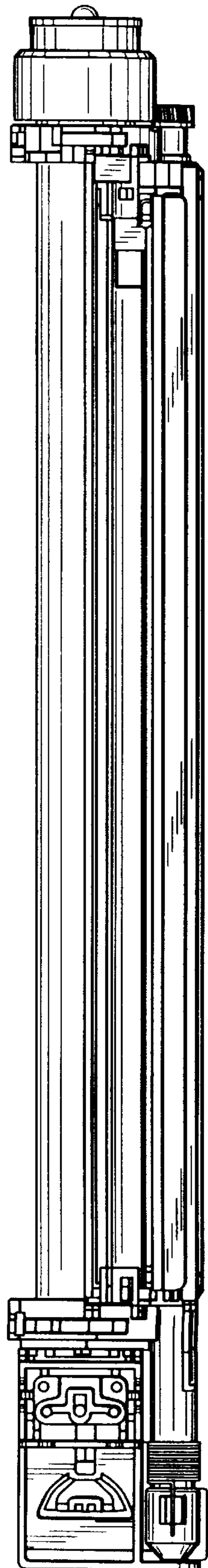


FIG. 6

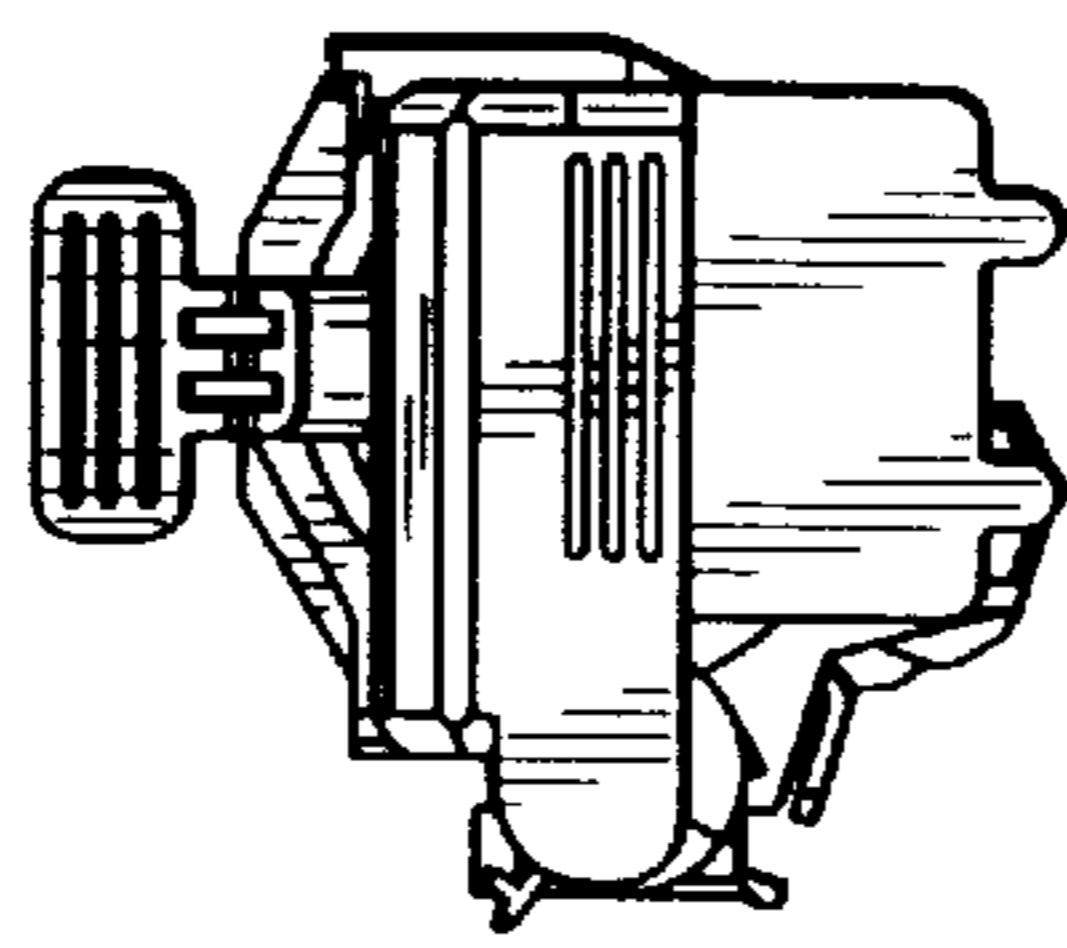


FIG. 7

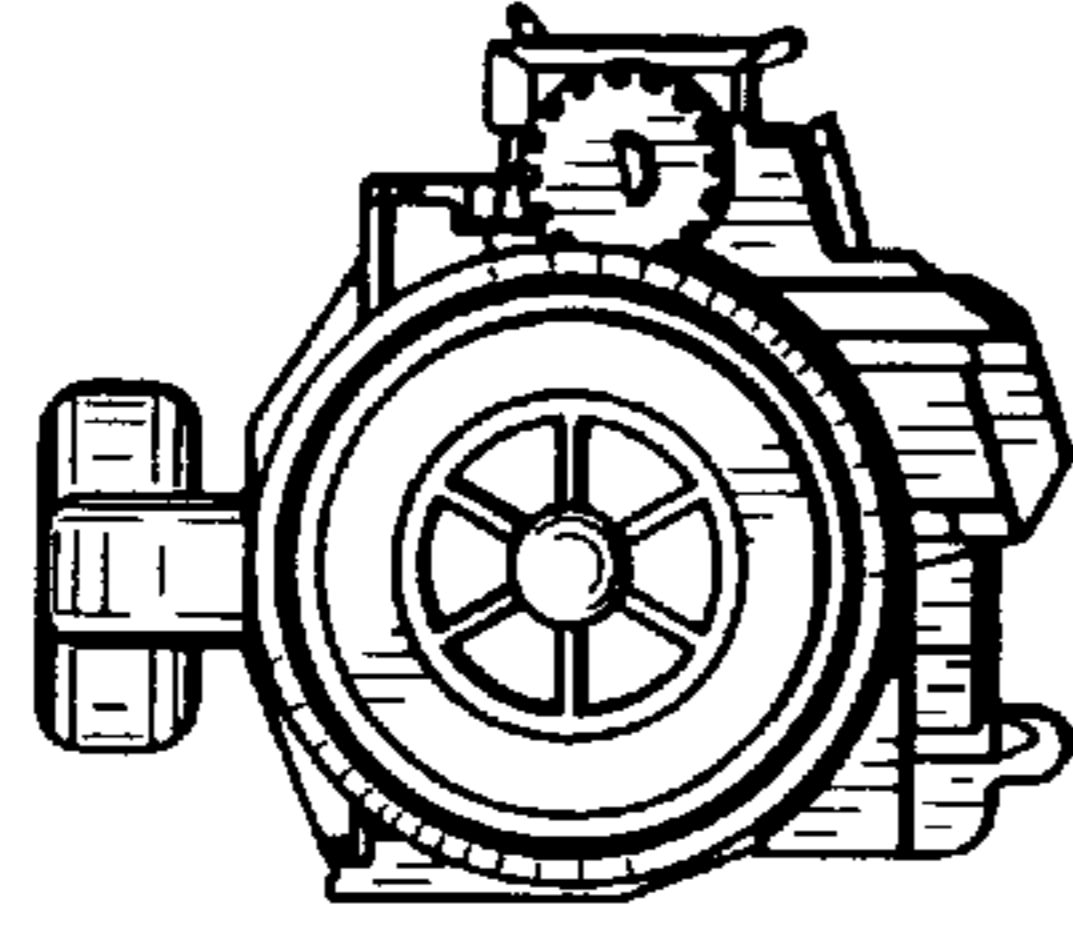


FIG. 8

