



US00D451535B1

(12) **United States Design Patent**
Lee

(10) **Patent No.:** **US D451,535 S**

(45) **Date of Patent:** **** Dec. 4, 2001**

(54) **TOUCH SCREEN CASH REGISTER**

D. 428,047 * 7/2000 Kolls D18/4.6

(76) Inventor: **June Lee**, Blk 171 #05-507 Ang Mo
Kio Avenue 4, Singapore 56071 (SG)

* cited by examiner

(**) Term: **14 Years**

Primary Examiner—Caron D. Veynar

(74) *Attorney, Agent, or Firm*—Rosenberg, Klein & Lee

(21) Appl. No.: **29/138,186**

(57) **CLAIM**

(22) Filed: **Mar. 9, 2001**

The ornamental design for a touch screen cash register, as shown.

(51) **LOC (7) Cl.** **18-01**

DESCRIPTION

(52) **U.S. Cl.** **D18/4.6**

(58) **Field of Search** D18/4.1–4.6, 12.3;
D14/371, 374, 383, 388; 705/15, 16, 17

FIG. 1 is a perspective view of a touch screen cash register, showing my new design;

FIG. 2 is a front elevational view thereof;

FIG. 3 is a rear elevational view thereof;

FIG. 4 is a left elevational view thereof;

FIG. 5 is a right elevational view thereof;

FIG. 6 is top plan view thereof; and,

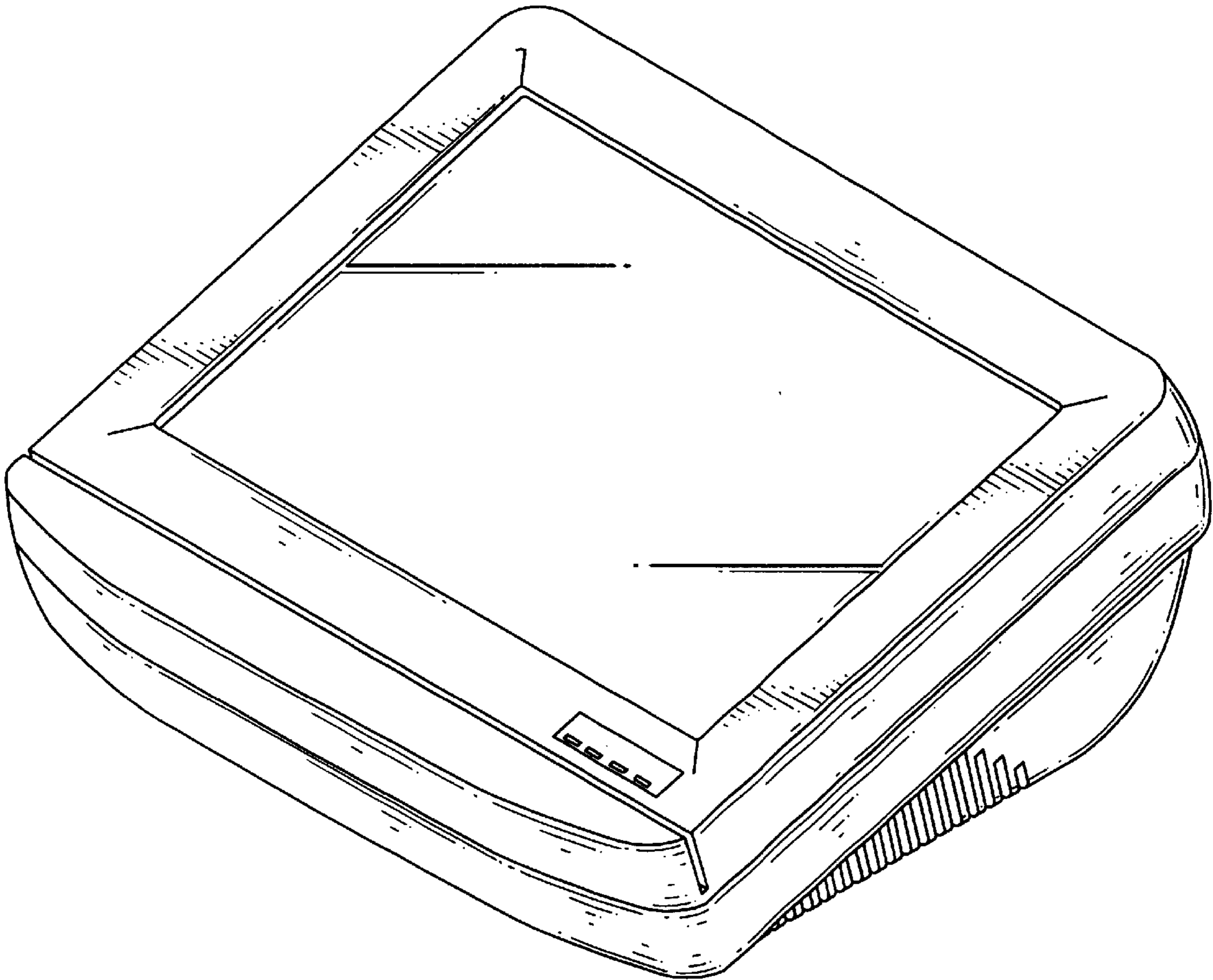
FIG. 7 is a bottom plan view thereof.

(56) **References Cited**

U.S. PATENT DOCUMENTS

- D. 362,427 * 9/1995 Mizusugi et al. D18/4.4
- D. 385,903 * 11/1997 Kim D18/4.4
- D. 420,040 * 2/2000 Mizusugi et al. D18/4.4
- D. 424,602 * 5/2000 Lin D18/4.3
- D. 427,231 * 6/2000 Ono D18/4.6

1 Claim, 4 Drawing Sheets



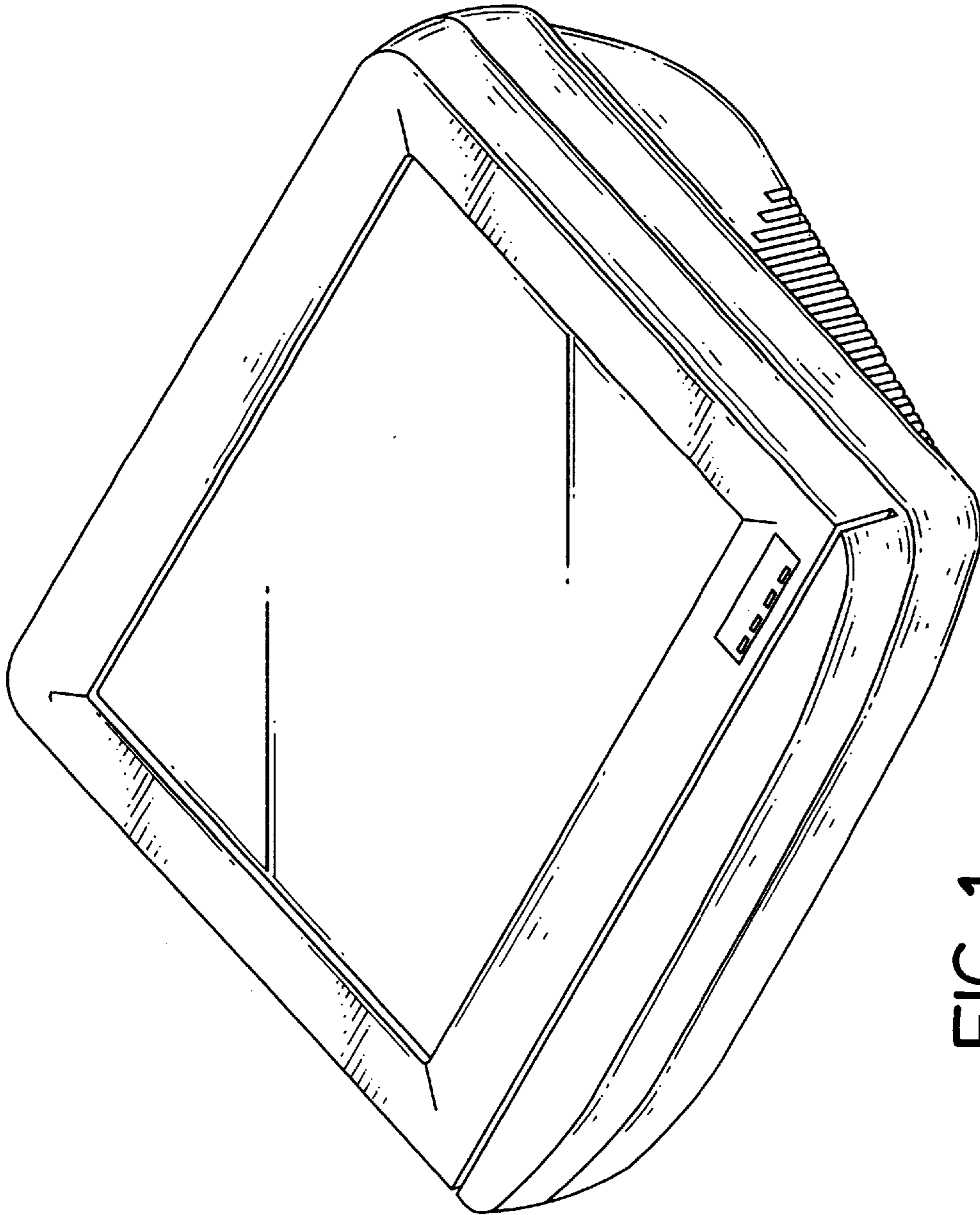


FIG. 1

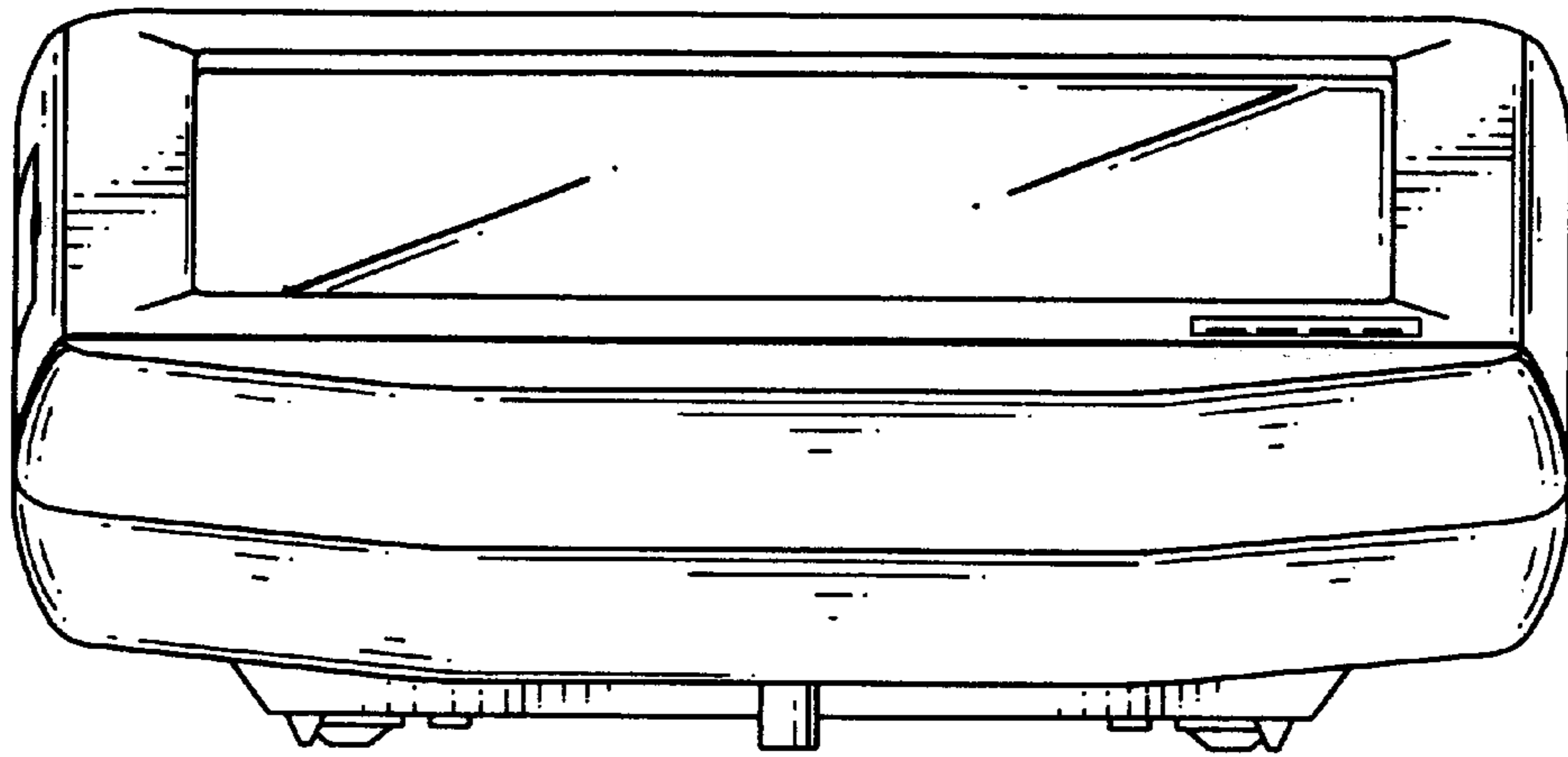


FIG. 2

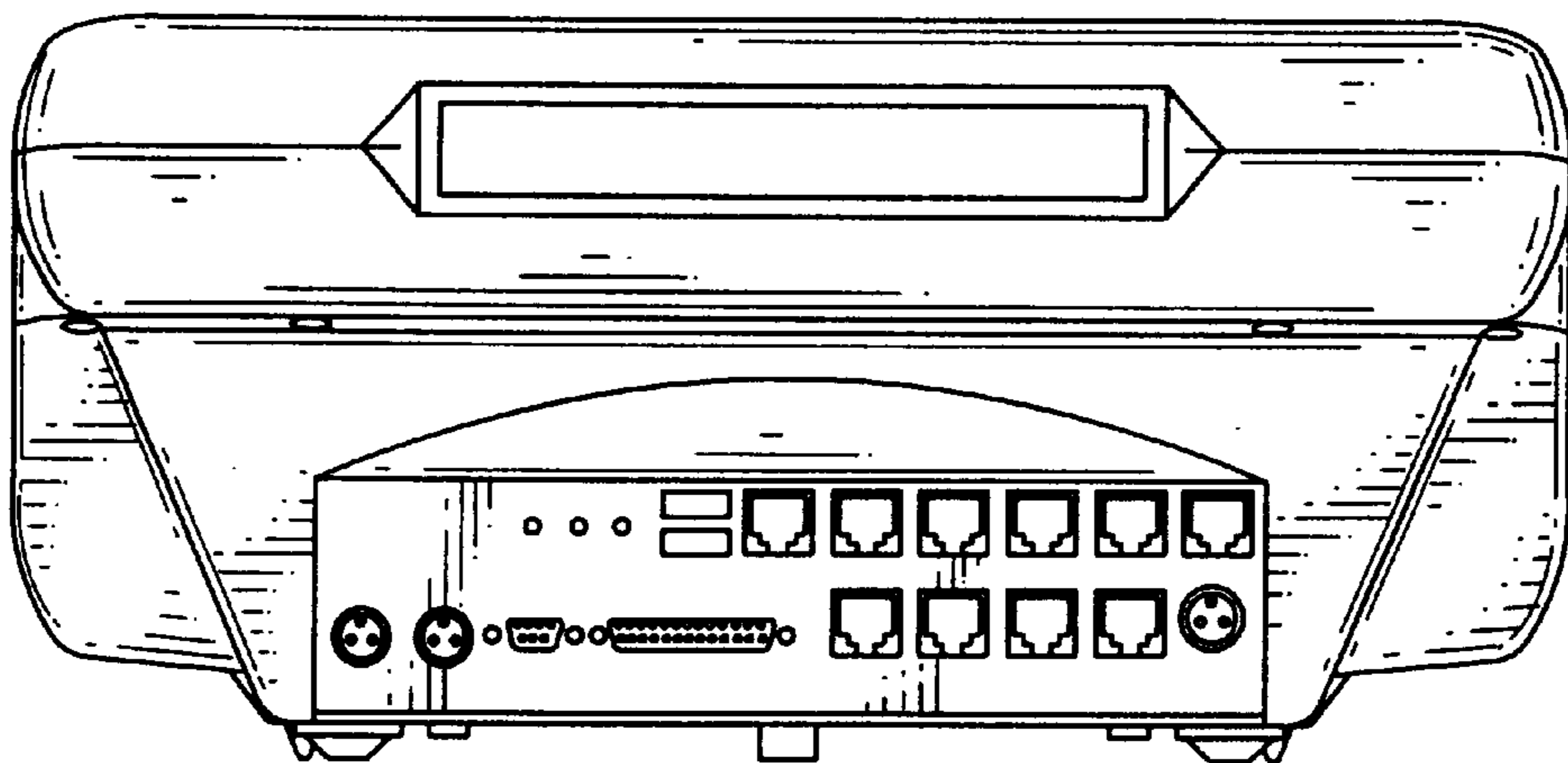


FIG. 3

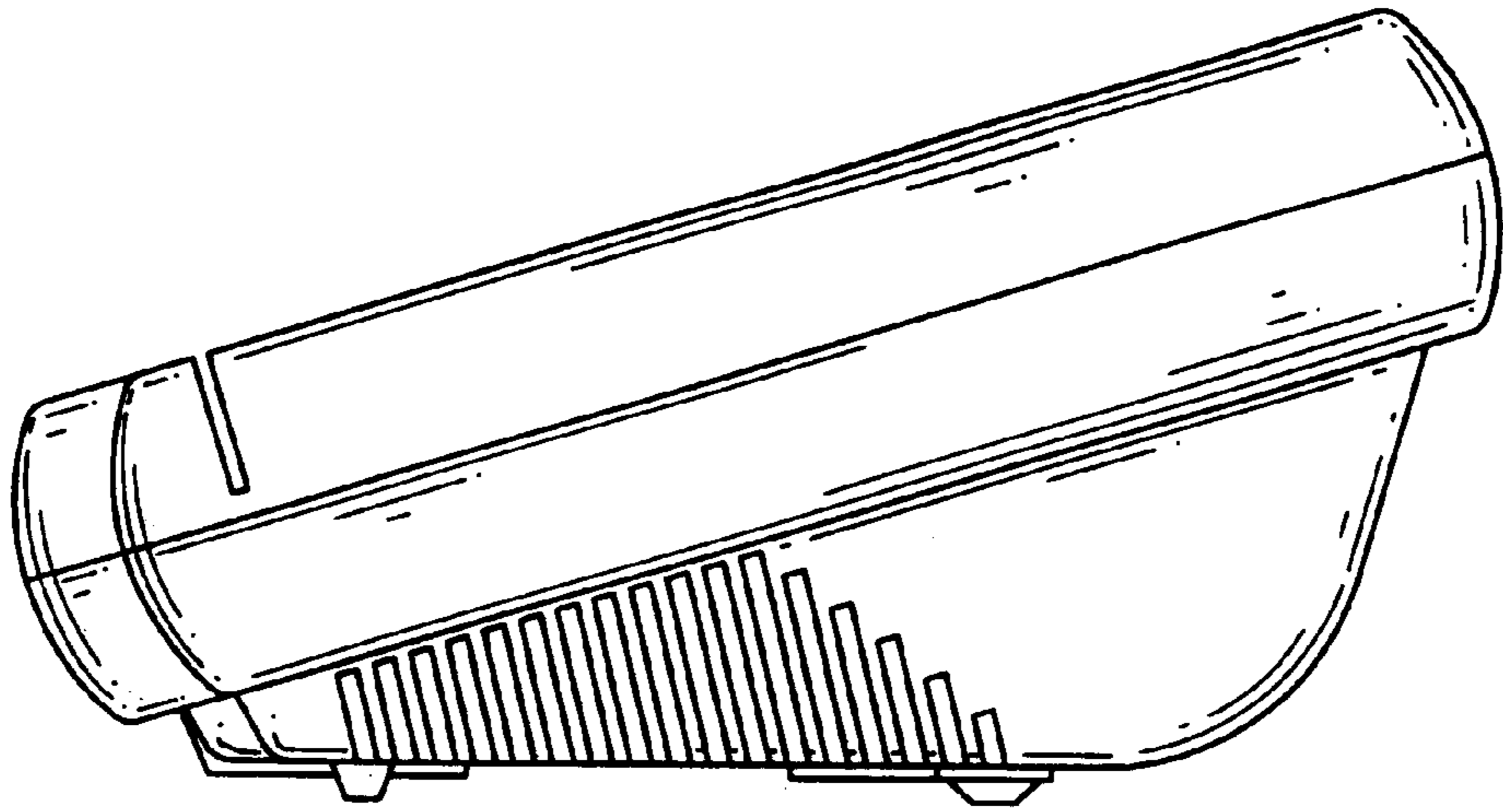


FIG. 5

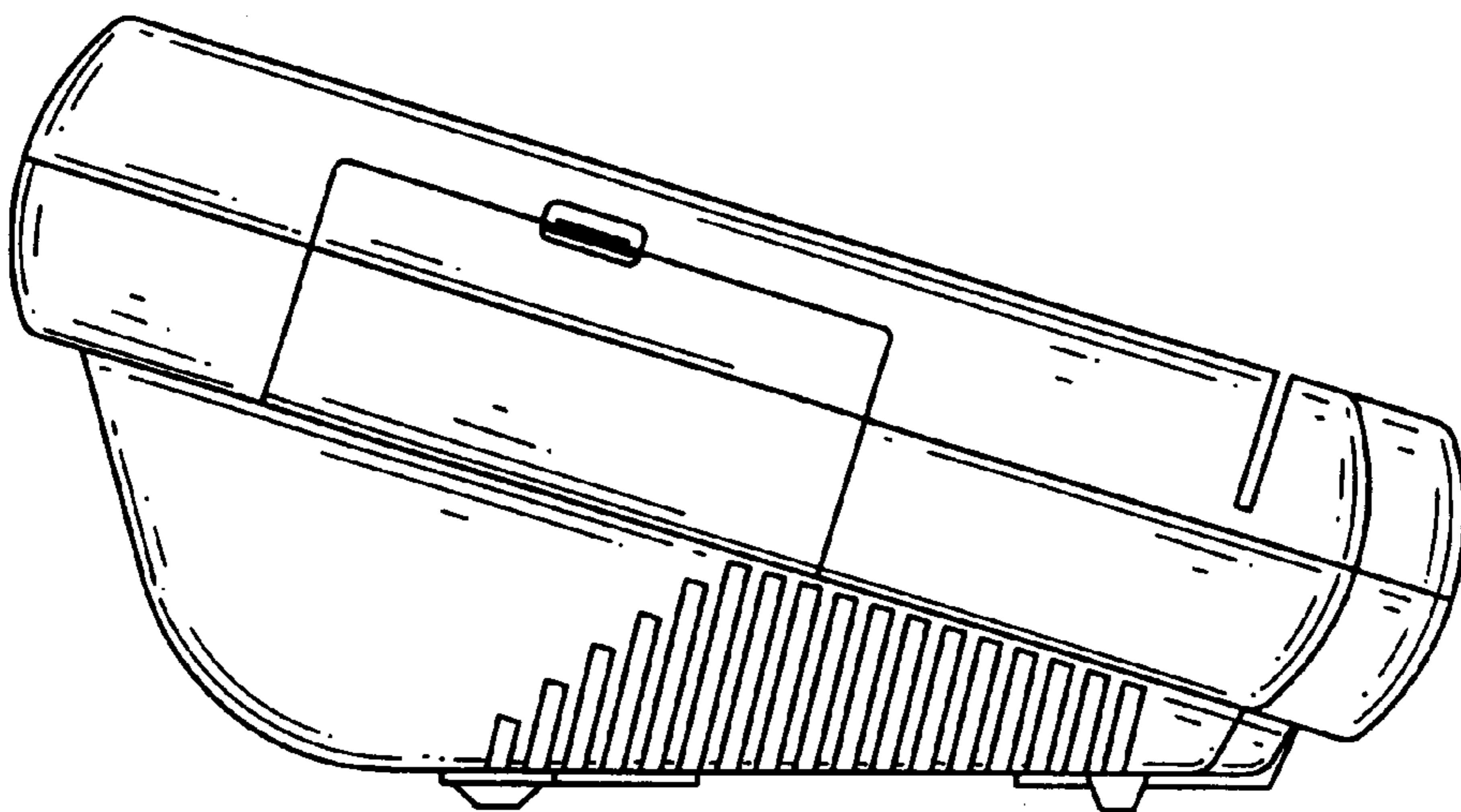


FIG. 4

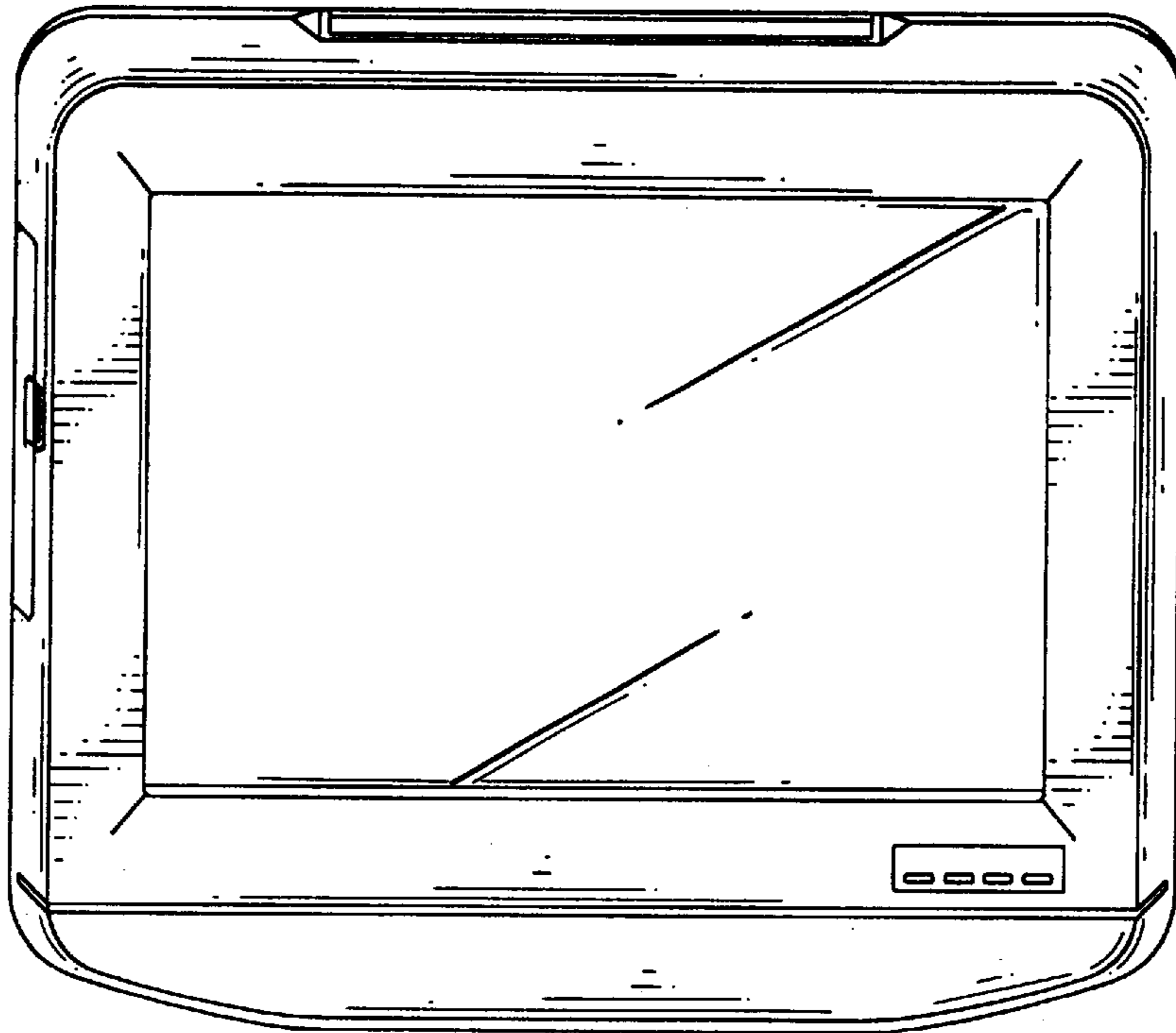


FIG. 6

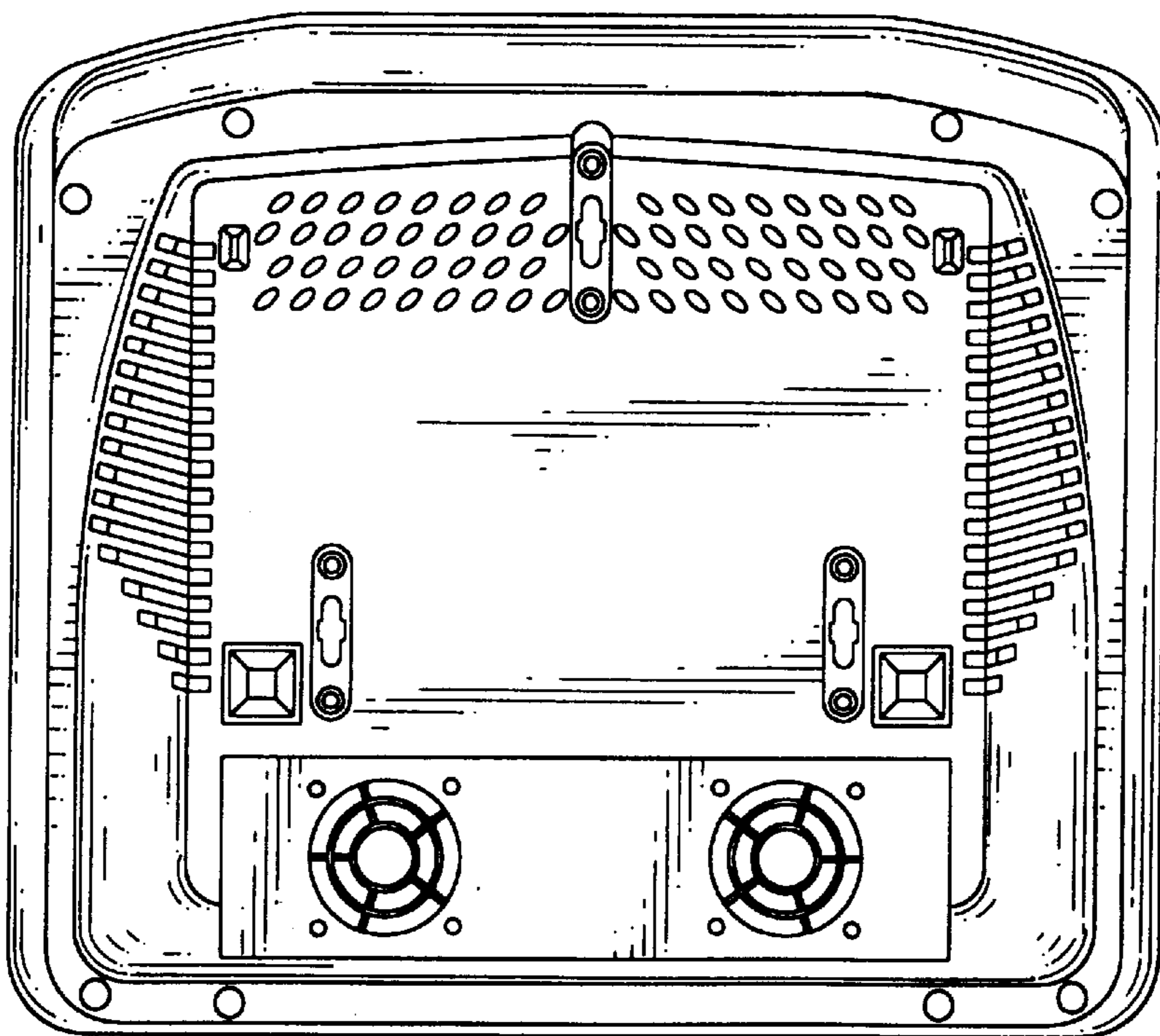


FIG. 7