



US00D451527B1

(12) **United States Design Patent** (10) **Patent No.:** **US D451,527 S**  
**Suzuki et al.** (45) **Date of Patent:** **\*\* Dec. 4, 2001**

(54) **LENS SHUTTER CAMERA**

**OTHER PUBLICATIONS**

(75) Inventors: **Tatsuya Suzuki; Yasuo Funakoshi,**  
both of Tokyo (JP)

Olympus catalog, Nov. 1, 1998 cover page (Camedia C-900 Zoom).\*

(73) Assignee: **Olympus Optical Co., Ltd.,** Tokyo (JP)

\* cited by examiner

(\*\*) Term: **14 Years**

*Primary Examiner*—Adir Aronovich

(74) *Attorney, Agent, or Firm*—Hogan & Hartson, LLP.

(21) Appl. No.: **29/127,029**

(57) **CLAIM**

(22) Filed: **Jul. 27, 2000**

The ornamental design for a lens shutter camera, as shown and described.

**Related U.S. Application Data**

**DESCRIPTION**

(62) Division of application No. 29/093,191, filed on Sep. 4, 1998, now Pat. No. Des. 436,978.

FIG. 1 is a front, top and right side perspective view of a lens shutter camera, showing our new design;

(51) **LOC (7) Cl.** ..... **16-05**

FIG. 2 is a top plan view thereof;

(52) **U.S. Cl.** ..... **D16/219; D16/212**

FIG. 3 is a front elevational view thereof;

(58) **Field of Search** ..... D16/200-204,  
D16/208, 209, 211, 212, 218, 219; D20/22,  
23; 396/348-350, 448, 535-541

FIG. 4 is a left side elevational view thereof;

FIG. 5 is a right side elevational view thereof;

FIG. 6 is a rear elevational view thereof;

FIG. 7 is a bottom plan view thereof; and,

(56) **References Cited**

FIG. 8 is a top plan view thereof with a cover in an opened state, a lens-barrel extended and an electronic flashing unit in a raised state.

**U.S. PATENT DOCUMENTS**

The broken portions of a lens shutter camera are illustrated to show the environment only and form no part of the claimed design.

D. 400,901	*	11/1998	Chapman et al.	.....	D16/219
D. 415,511	*	10/1999	Funakoshi et al.	.....	D16/209
D. 423,545	*	4/2000	Schelling et al.	.....	D16/219
D. 428,038	*	7/2000	Suto	.....	D16/219
4,557,574	*	12/1985	Kohno et al.	.....	396/448
5,970,265	*	10/1999	Schelling	.....	396/348

**1 Claim, 3 Drawing Sheets**

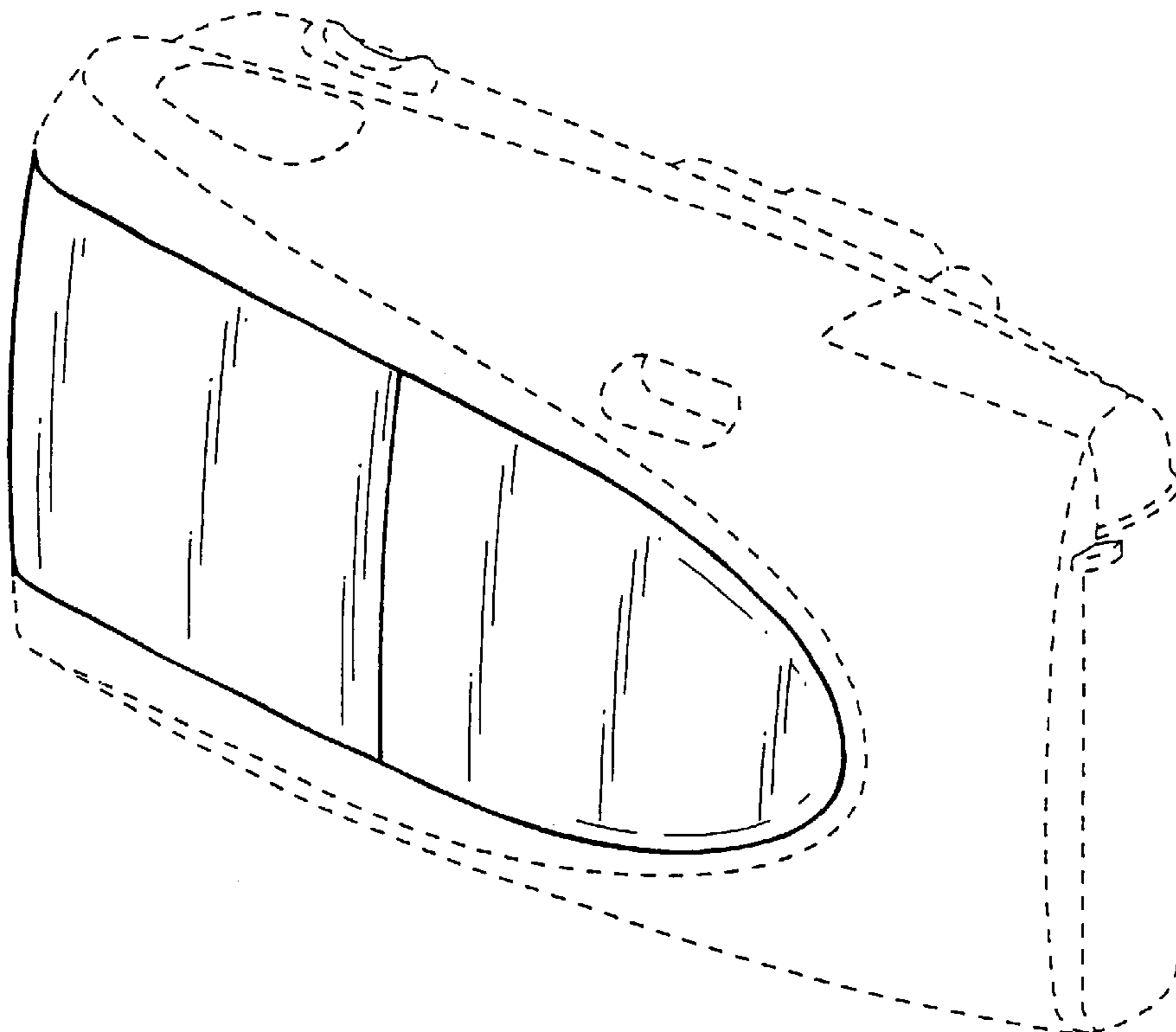


FIG. 1

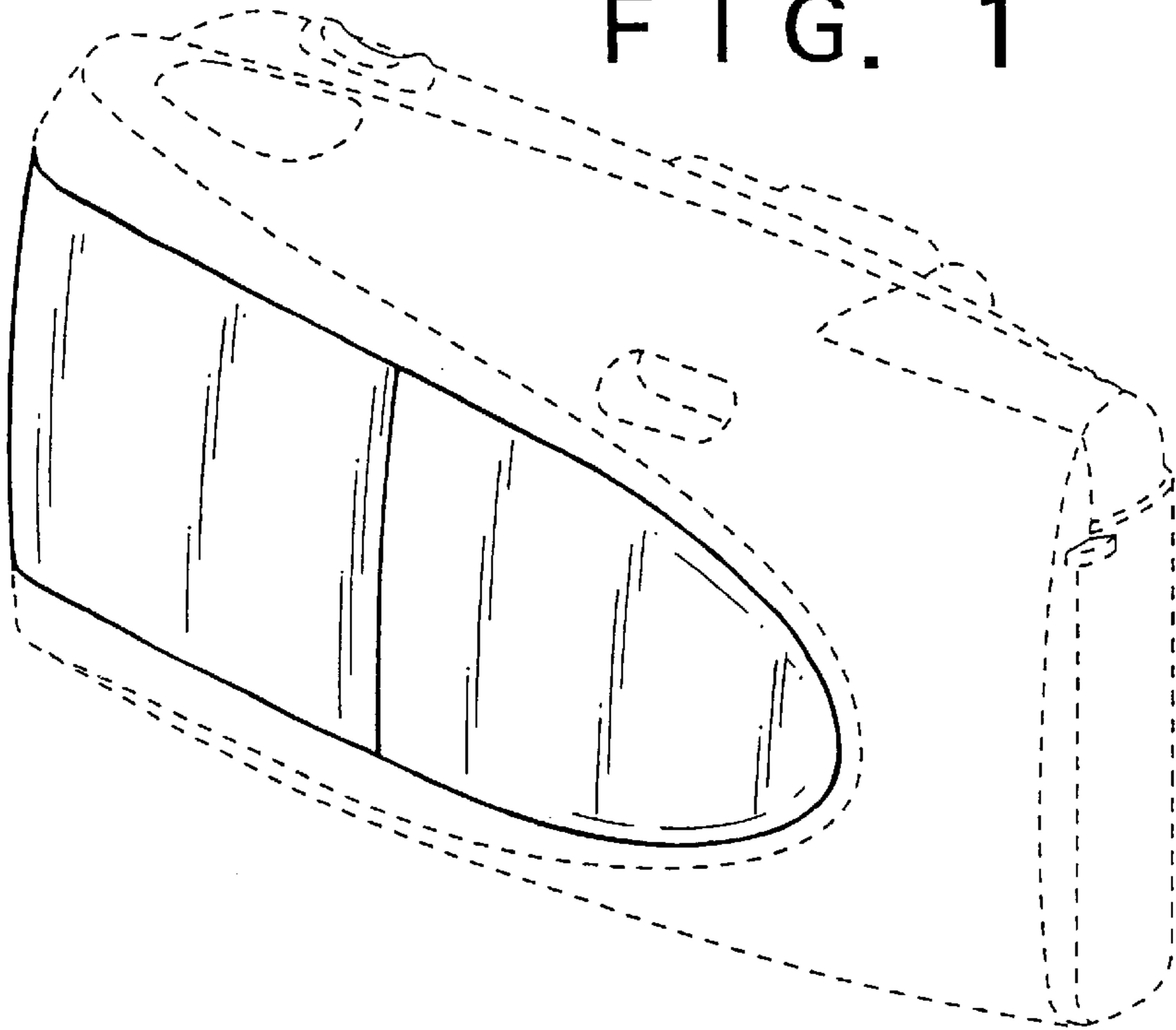


FIG. 2

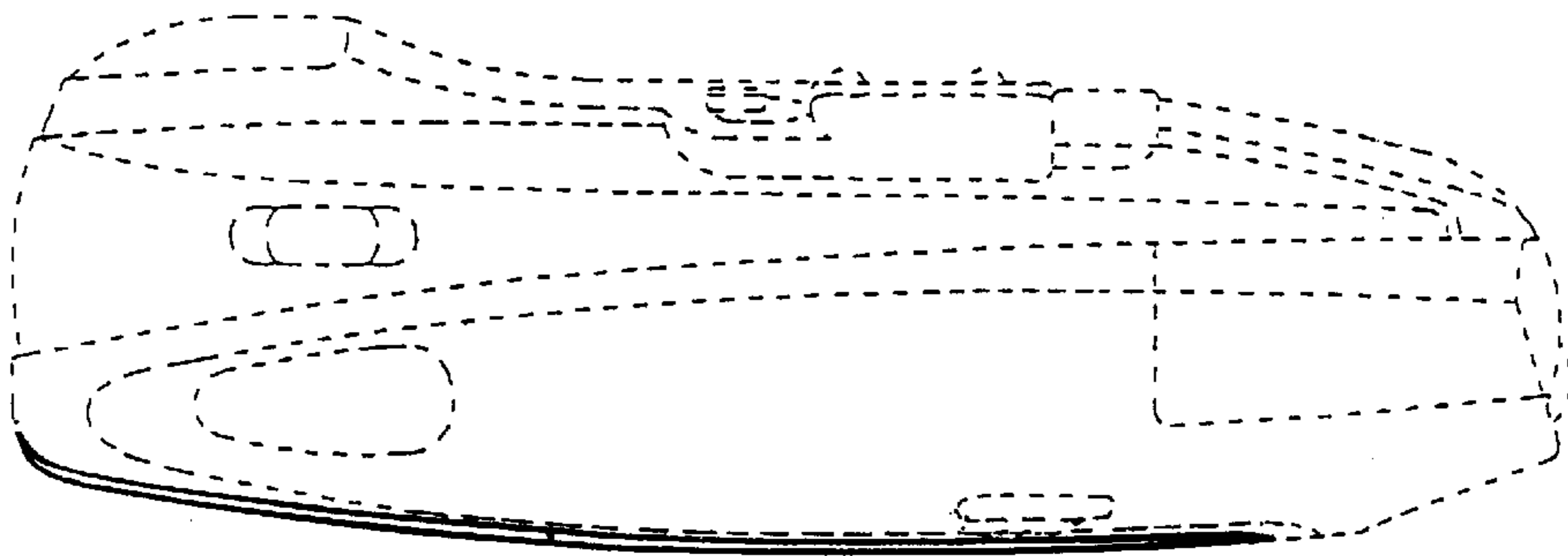


FIG. 3

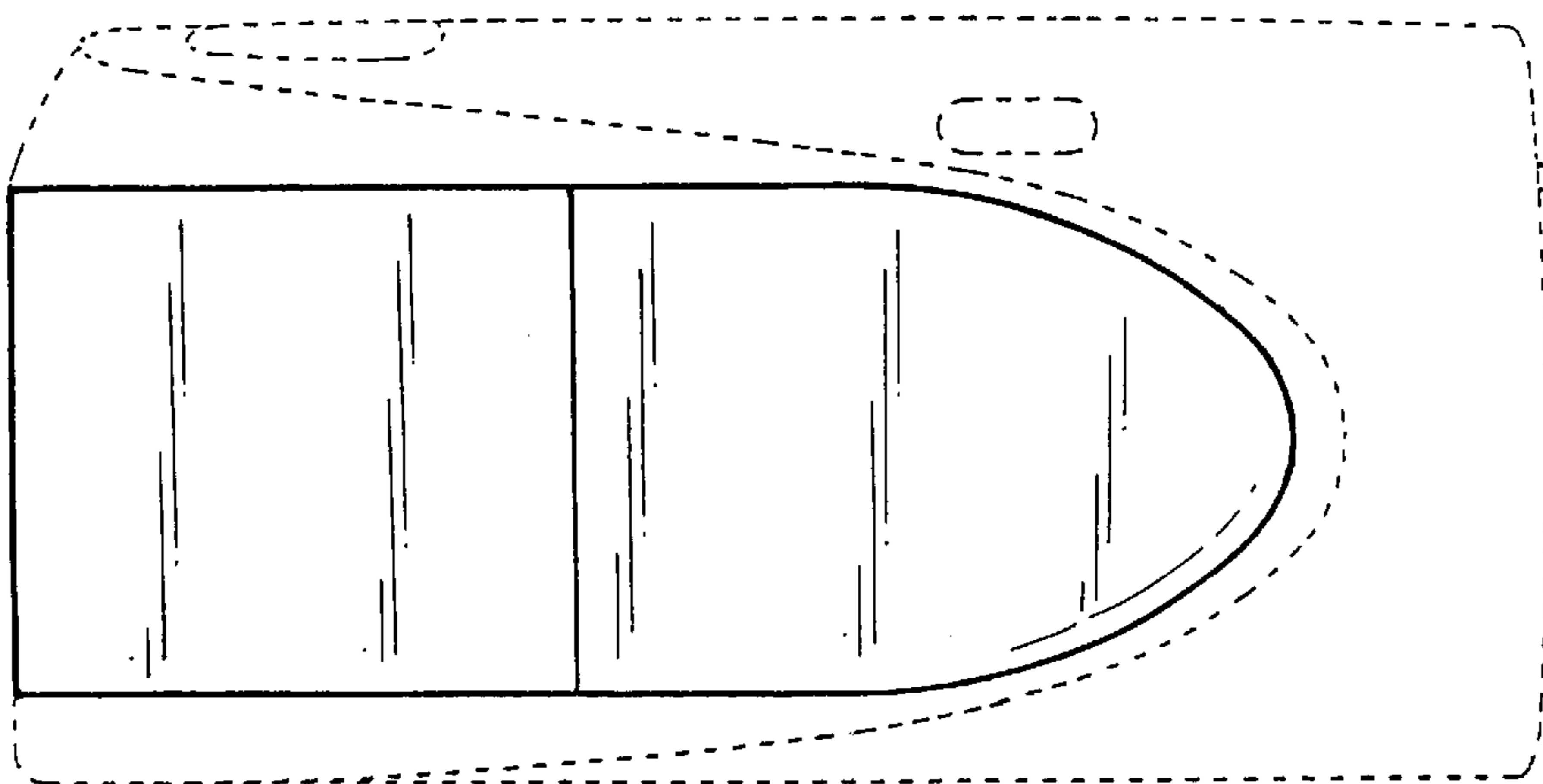


FIG. 4

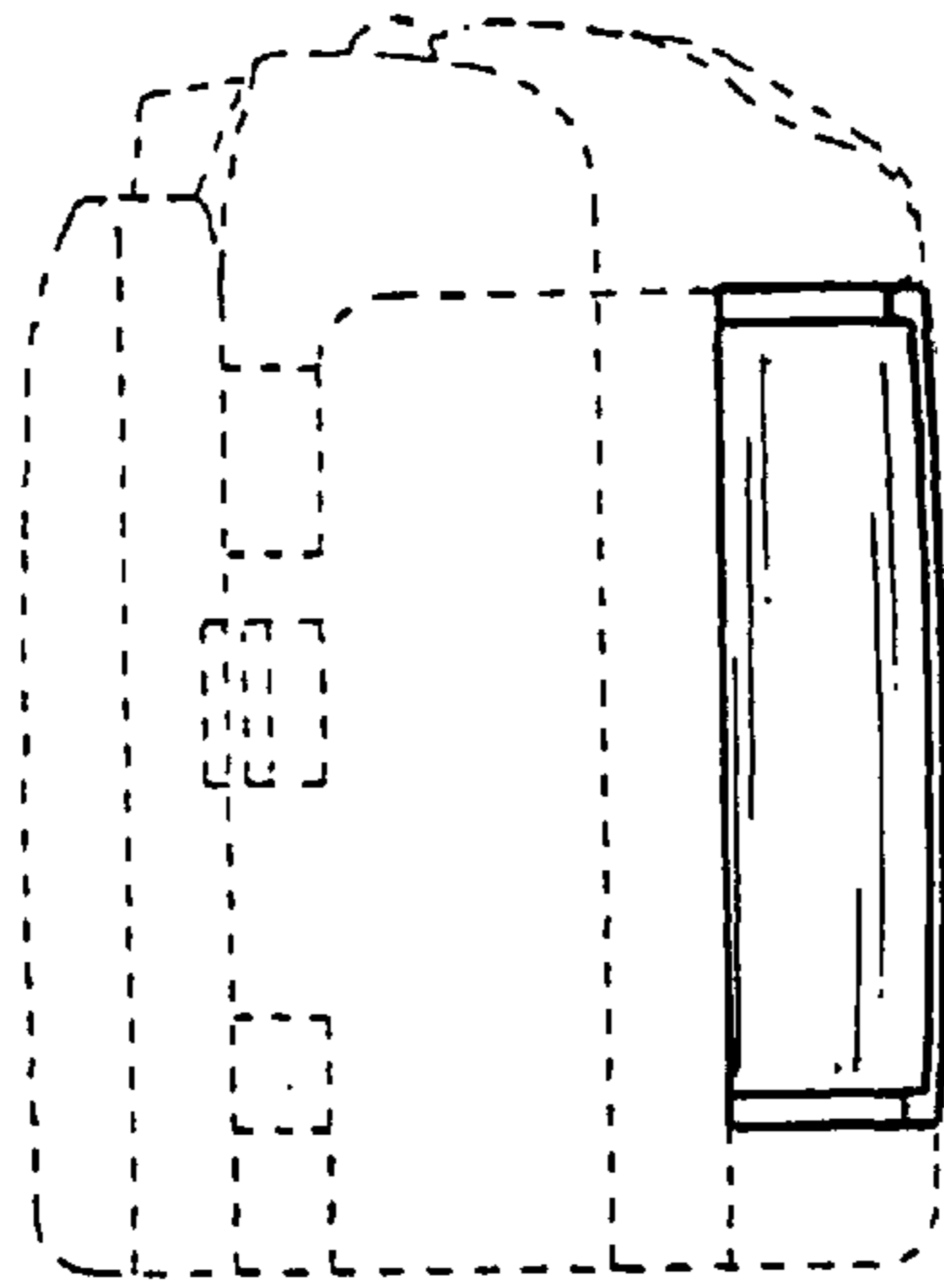


FIG. 5

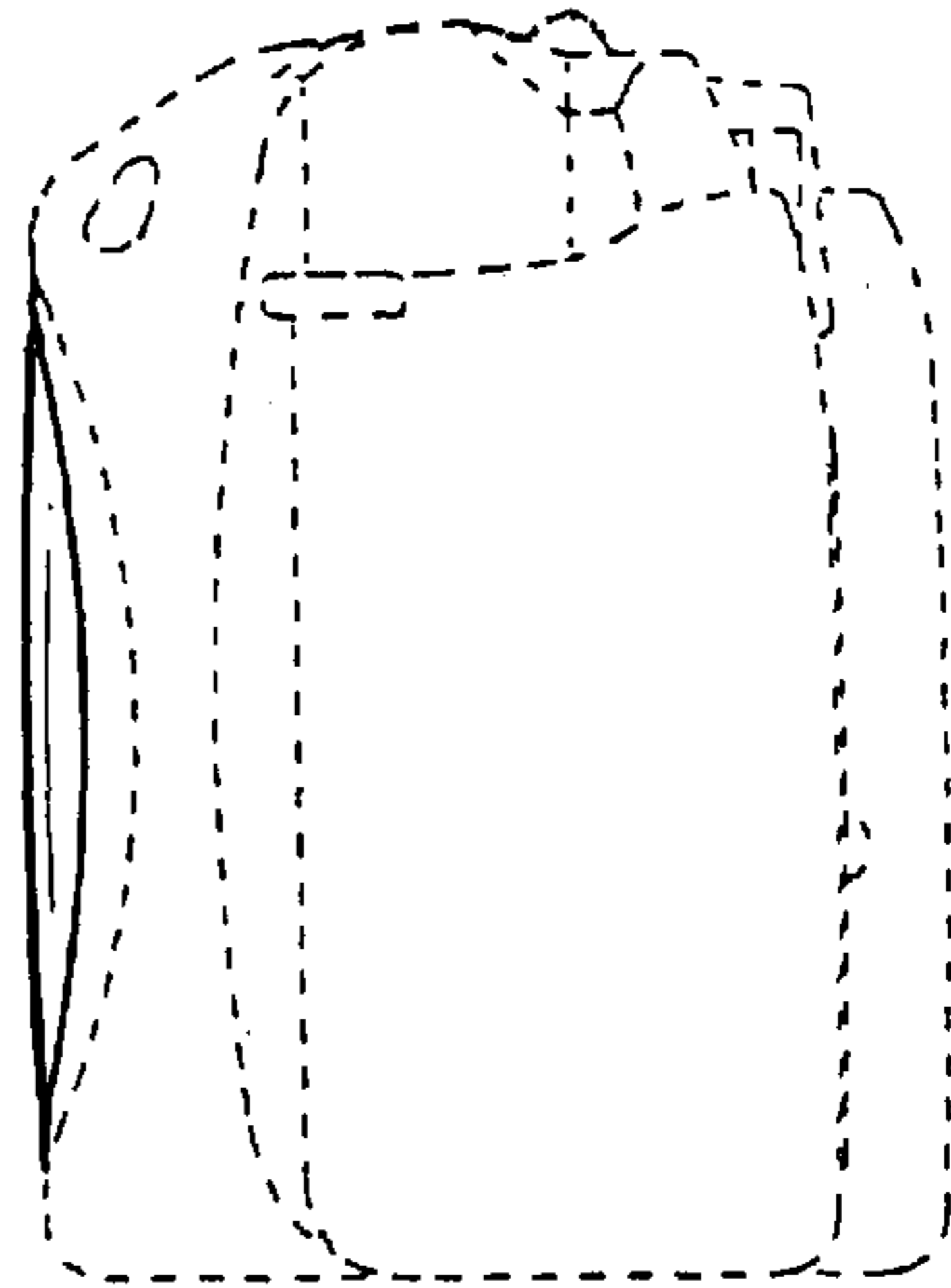


FIG. 6

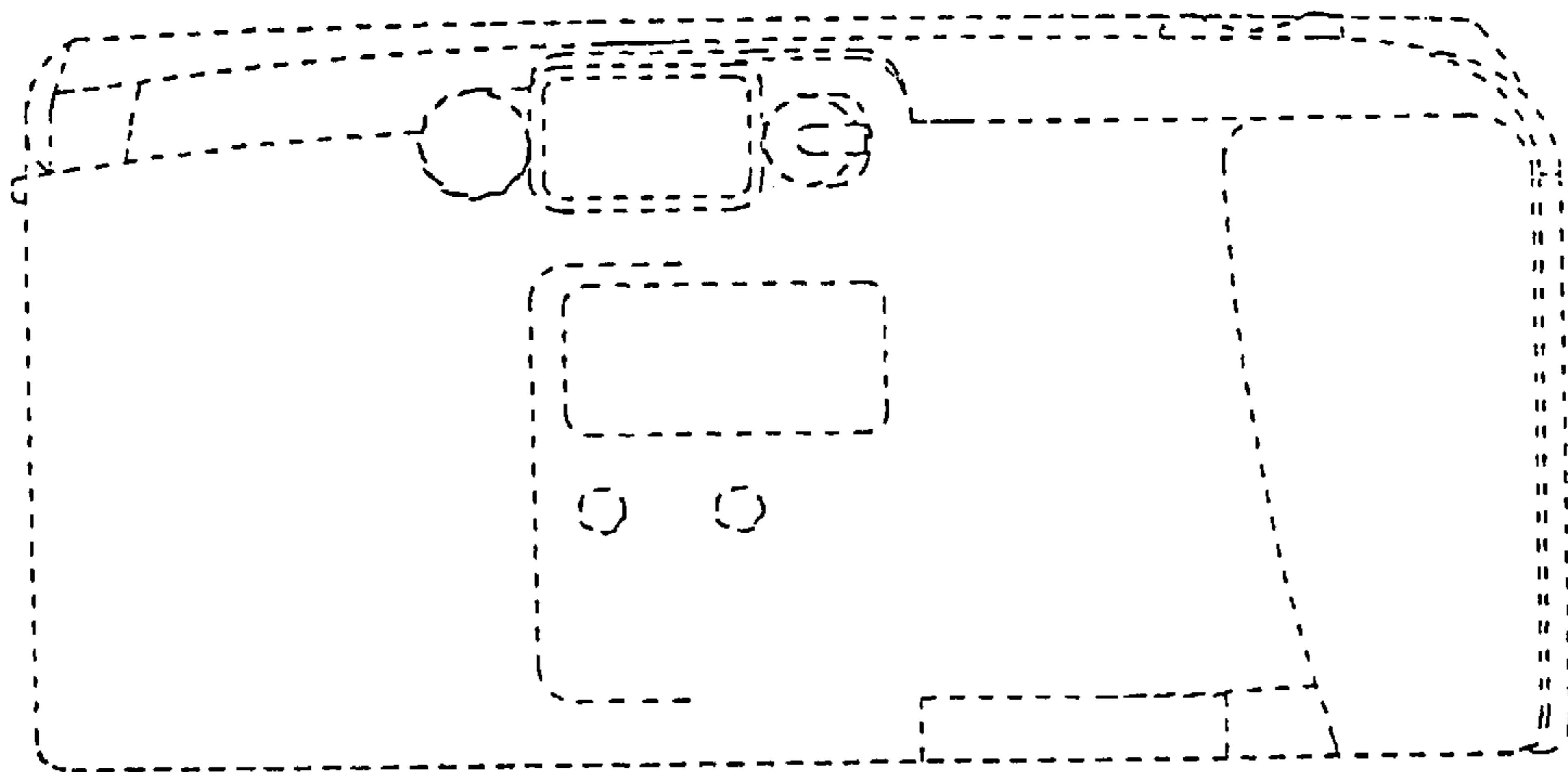


FIG. 7

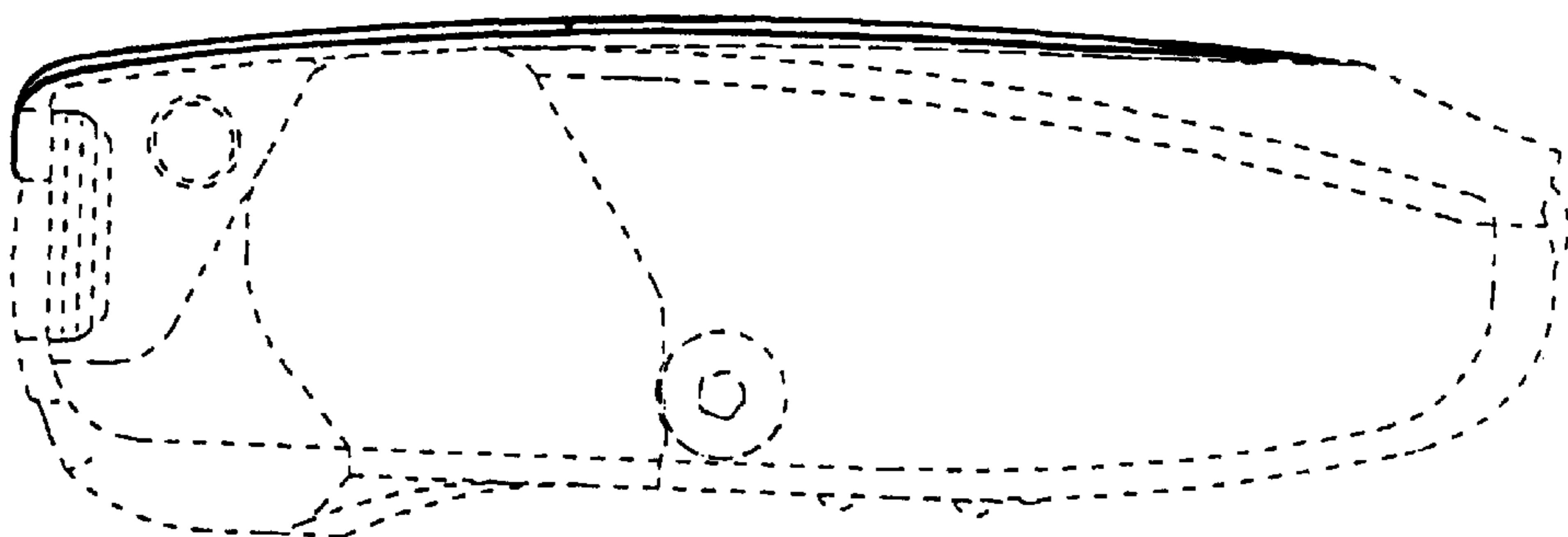
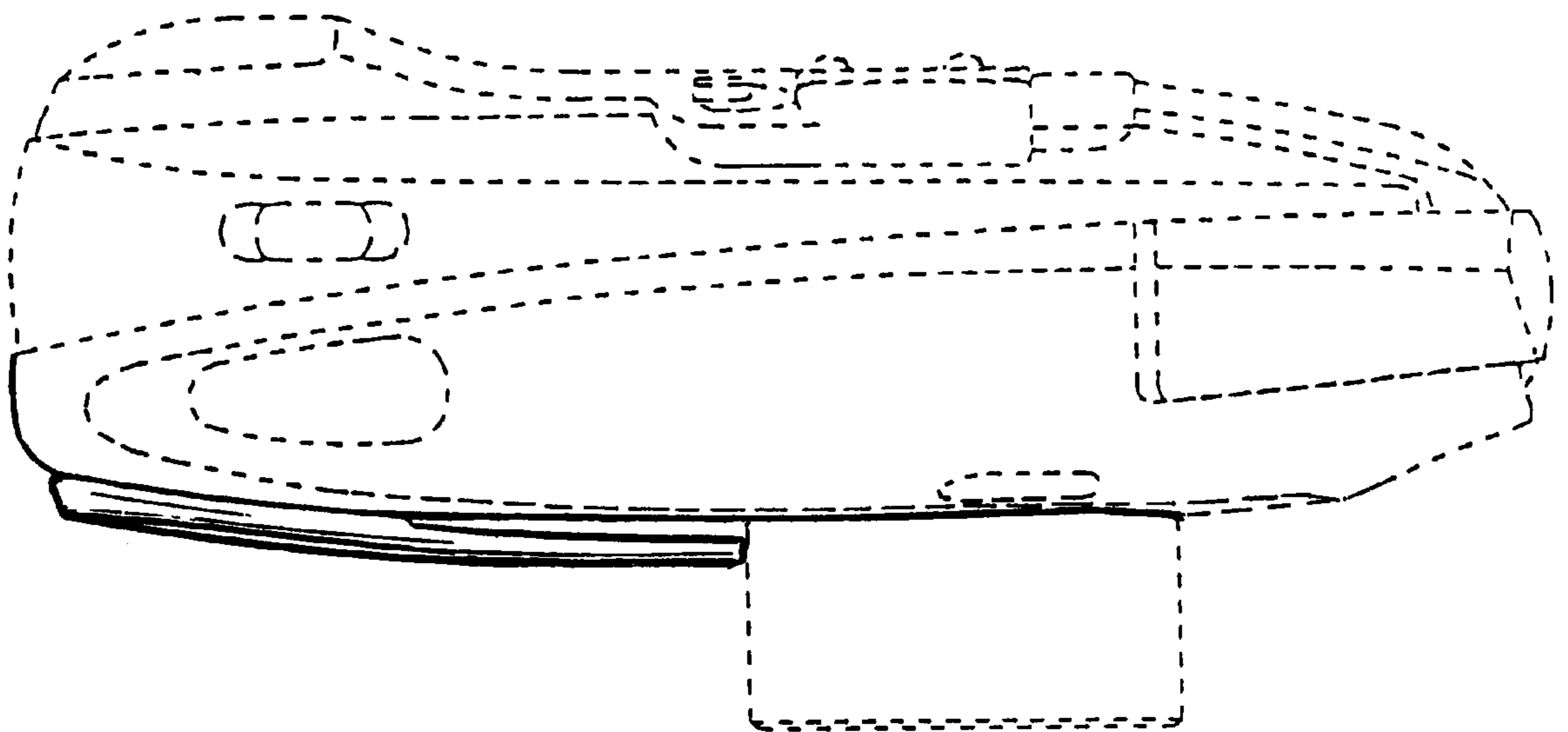


FIG. 8



**UNITED STATES PATENT AND TRADEMARK OFFICE**  
**Certificate**

Patent No. D 451,527 S

Patented: December 4, 2001

On petition requesting issuance of a certificate for correction of inventorship pursuant to 35 U.S.C. 256, it has been found that the above identified patent, through error and without deceptive intent, improperly sets forth the inventorship.

Accordingly, it is hereby certified that the correct inventorship of this patent is: Yasuo Funakoshi.

Signed and Sealed this Eighth Day of October 2002.

**TED SHOOMAN**  
*Supervisory Patent Examiner*  
Art Unit 2912