



US00D451525B1

(12) **United States Design Patent**
Ganzer

(10) **Patent No.:** **US D451,525 S**

(45) **Date of Patent:** **** Dec. 4, 2001**

(54) **ADHESIVE DISPENSING MODULE**

(75) Inventor: **Charles P. Ganzer**, Cumming, GA
(US)

(73) Assignee: **Nordson Corporation**, Westlake, OH
(US)

(**) Term: **14 Years**

(21) Appl. No.: **29/136,898**

(22) Filed: **Feb. 7, 2001**

(51) **LOC (7) Cl.** **15-09**

(52) **U.S. Cl.** **D15/144**

(58) **Field of Search** D15/144, 144.1,
D15/144.2; 239/11, 71, 536; 425/7; 427/208.2

(56) **References Cited**

U.S. PATENT DOCUMENTS

D. 434,053 * 11/2000 Fort et al. D15/144.1

* cited by examiner

Primary Examiner—Antoine Duval Davis

(74) *Attorney, Agent, or Firm*—Raymond J. Slattery, III

(57) **CLAIM**

The ornamental design for an adhesive dispensing module,
as shown and described.

DESCRIPTION

FIG. 1 is a front elevational view of a new design for an
adhesive dispensing module;

FIG. 2 is a right side elevational view, the opposite side
being mirror image thereof;

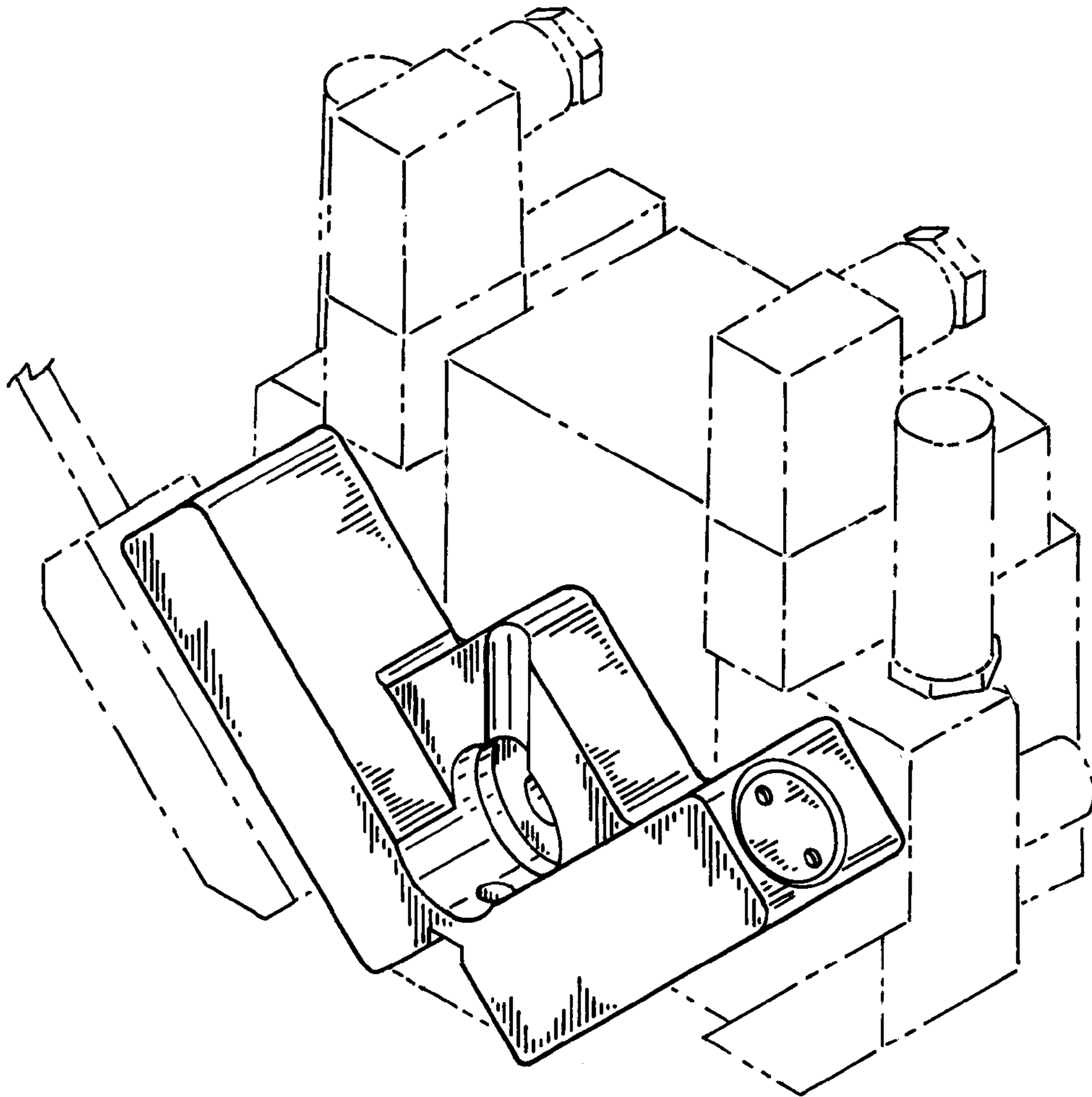
FIG. 3 is a top view;

FIG. 4 is a bottom view;

FIG. 5 is a rear elevational view; and,

FIG. 6 is a perspective view, the portions shown in ghost
lines are for the purpose of environment only.

1 Claim, 2 Drawing Sheets



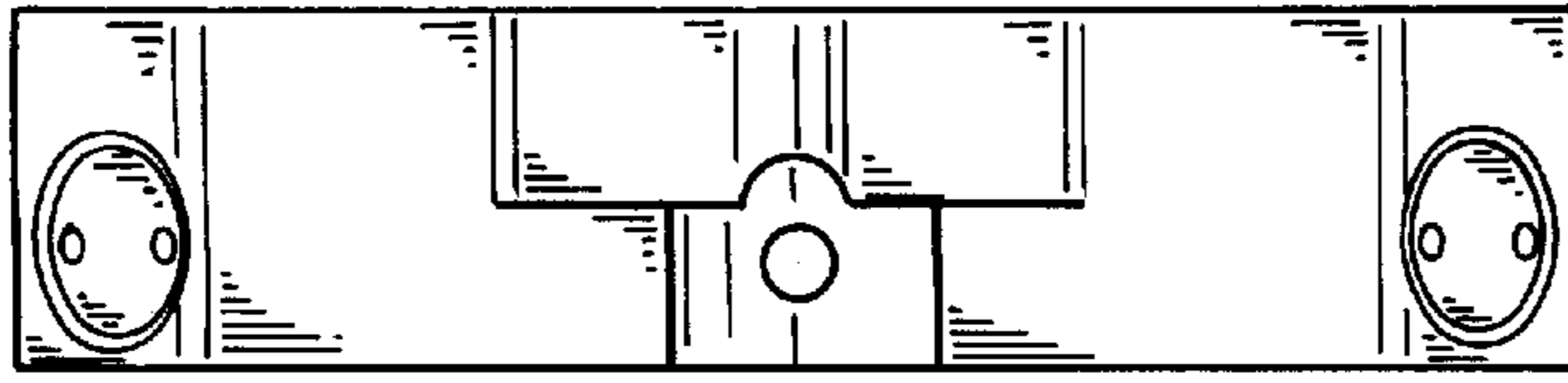


FIG. -3

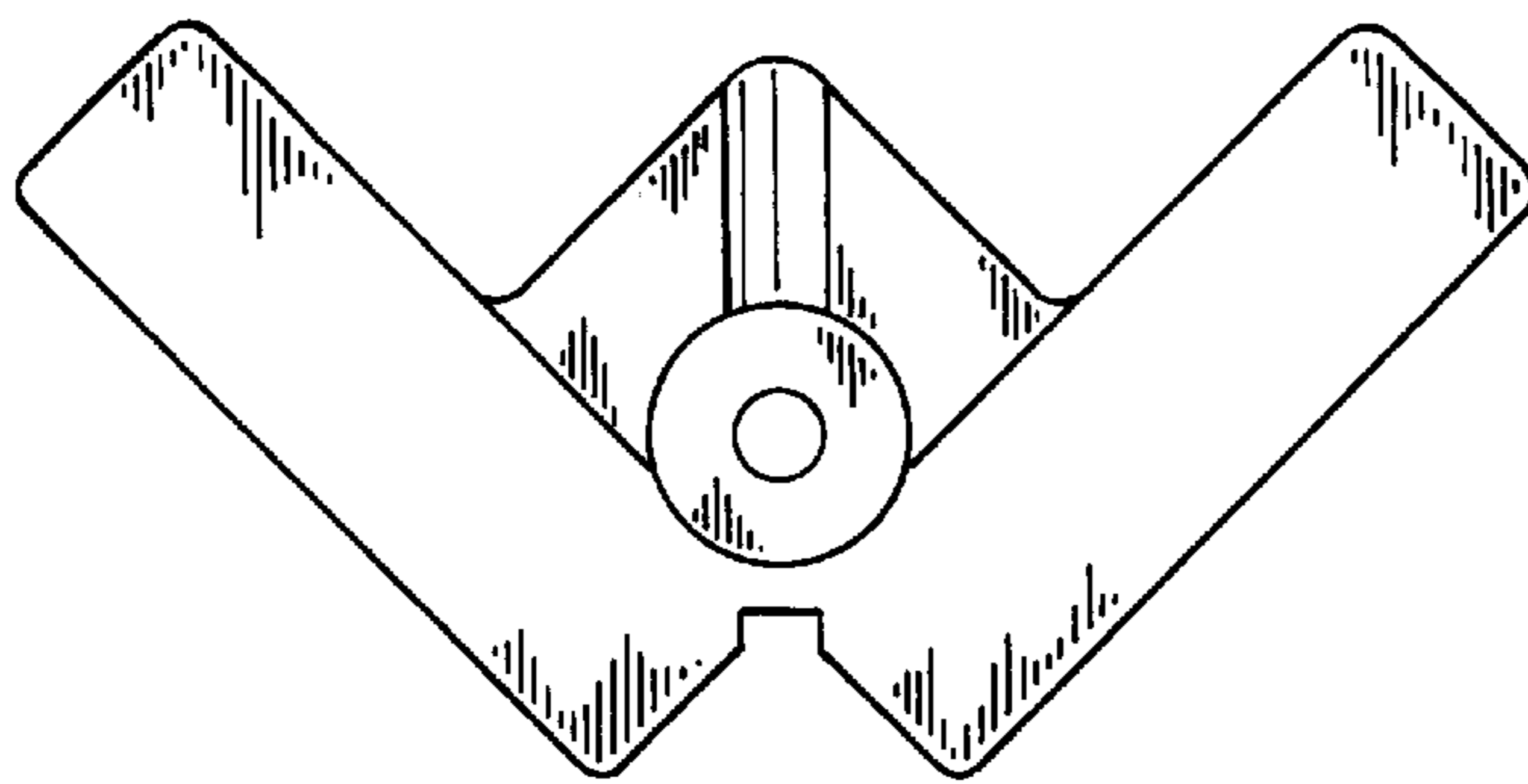


FIG. -1



FIG. -2

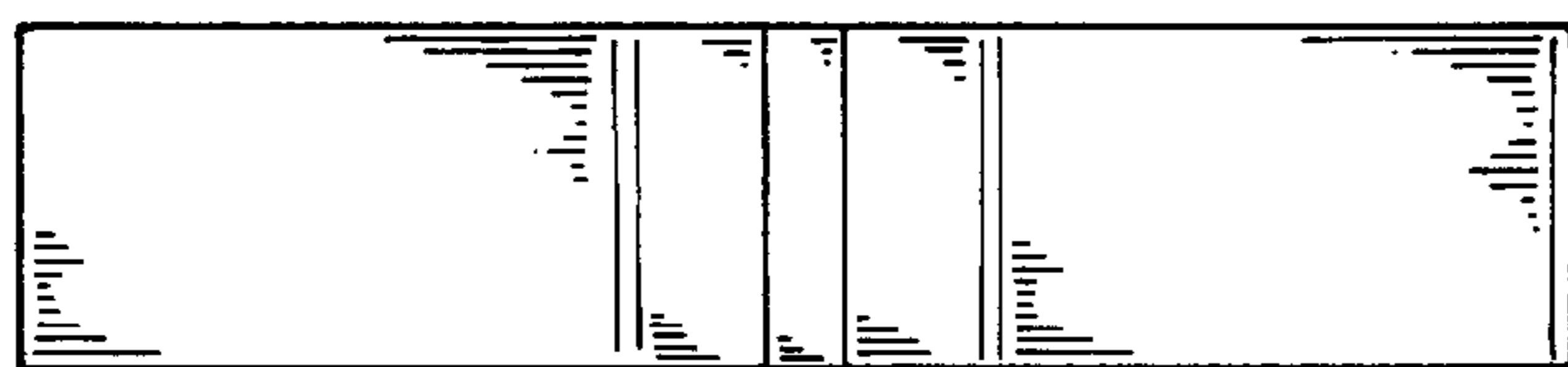


FIG. -4

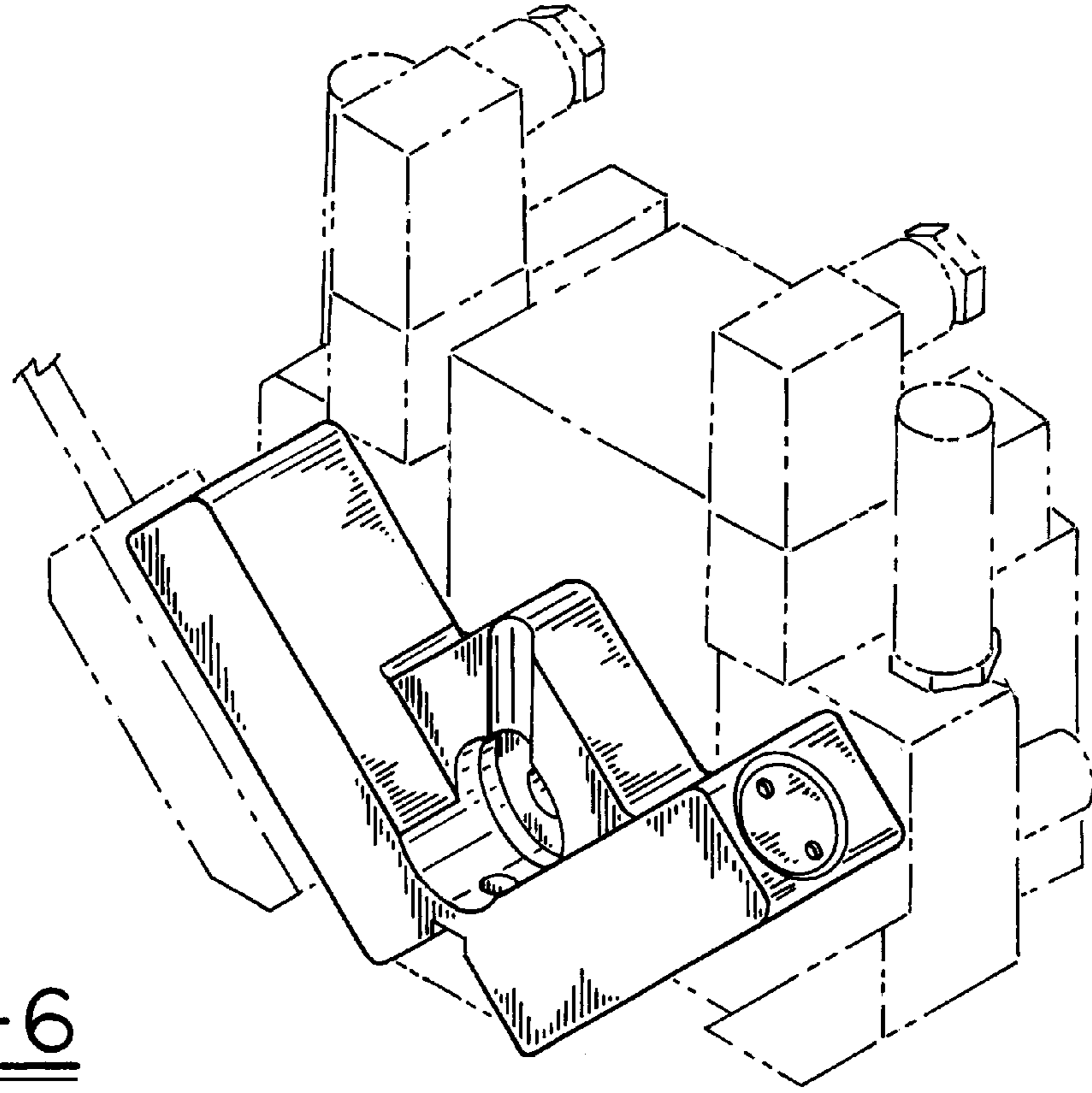


FIG.-6

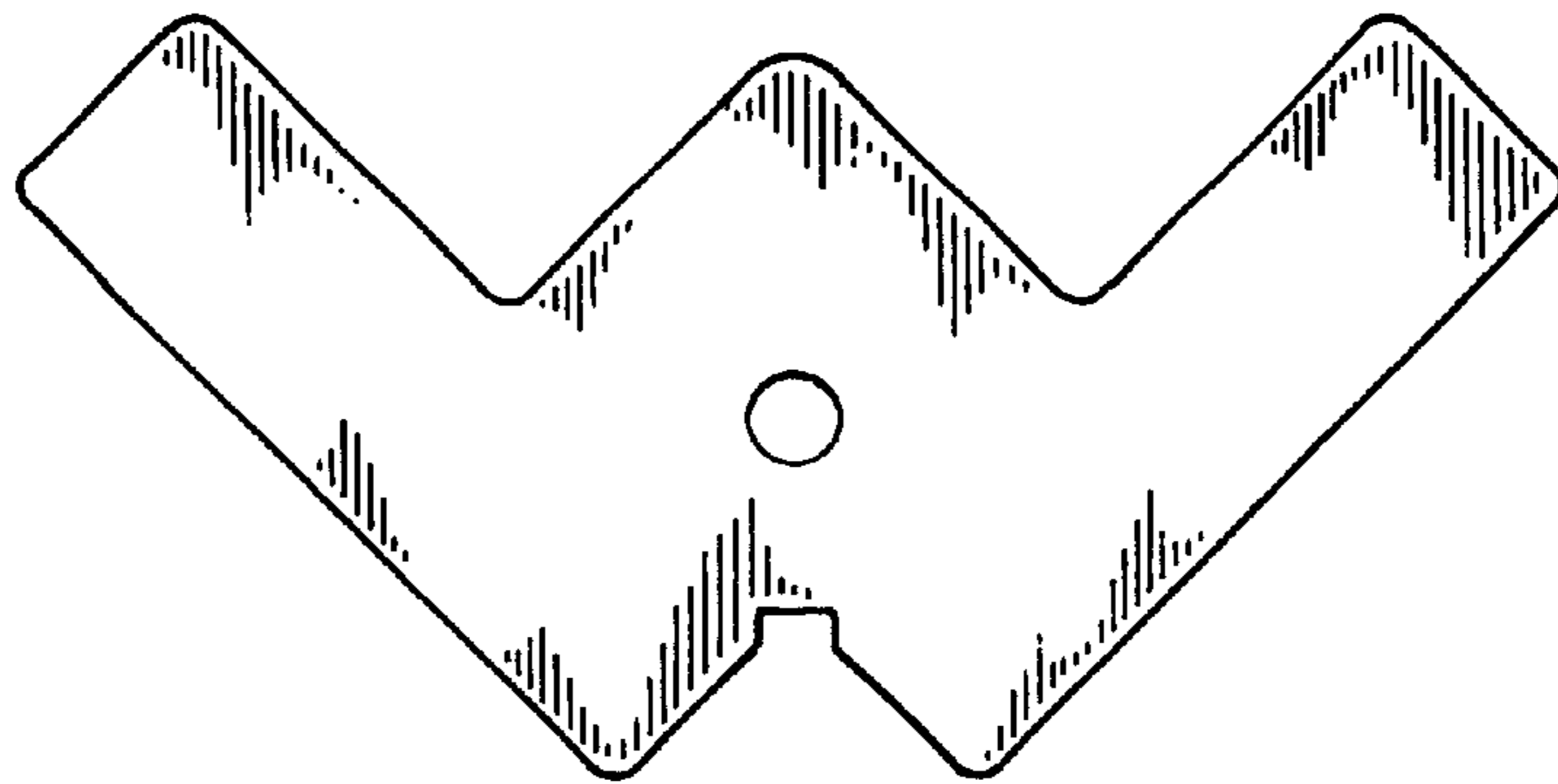


FIG.-5