



US00D451524B1

(12) **United States Design Patent**  
**Morris**

(10) **Patent No.:** **US D451,524 S**

(45) **Date of Patent:** **\*\* Dec. 4, 2001**

(54) **EXTRUDER FOR MODELING COMPOUND**

(75) Inventor: **Lamont Curtis Morris**, Hope, RI (US)

(73) Assignee: **Hasbro, Inc.**, Pawtucket, RI (US)

(\*\*) Term: **14 Years**

(21) Appl. No.: **29/136,333**

(22) Filed: **Jan. 26, 2001**

(51) **LOC (7) Cl.** ..... **15-04**

(52) **U.S. Cl.** ..... **D15/135; D21/528**

(58) **Field of Search** ..... D12/528, 468;  
D15/135, 136; 425/DIG. 57, 154, 207,  
376.1, 381; 446/20, 491

(56) **References Cited**

**U.S. PATENT DOCUMENTS**

D. 268,043 \* 2/1983 Orenstein ..... D21/528

\* cited by examiner

*Primary Examiner*—Antoine Duval Davis  
(74) *Attorney, Agent, or Firm*—Kurt R. Benson

(57) **CLAIM**

The ornamental design for a extruder for modeling compound, as shown.

**DESCRIPTION**

FIG. 1 is a perspective view of the extruder for modeling compound of the instant invention;

FIG. 2 is a front elevational view thereof;

FIG. 3 is a rear elevational view thereof;

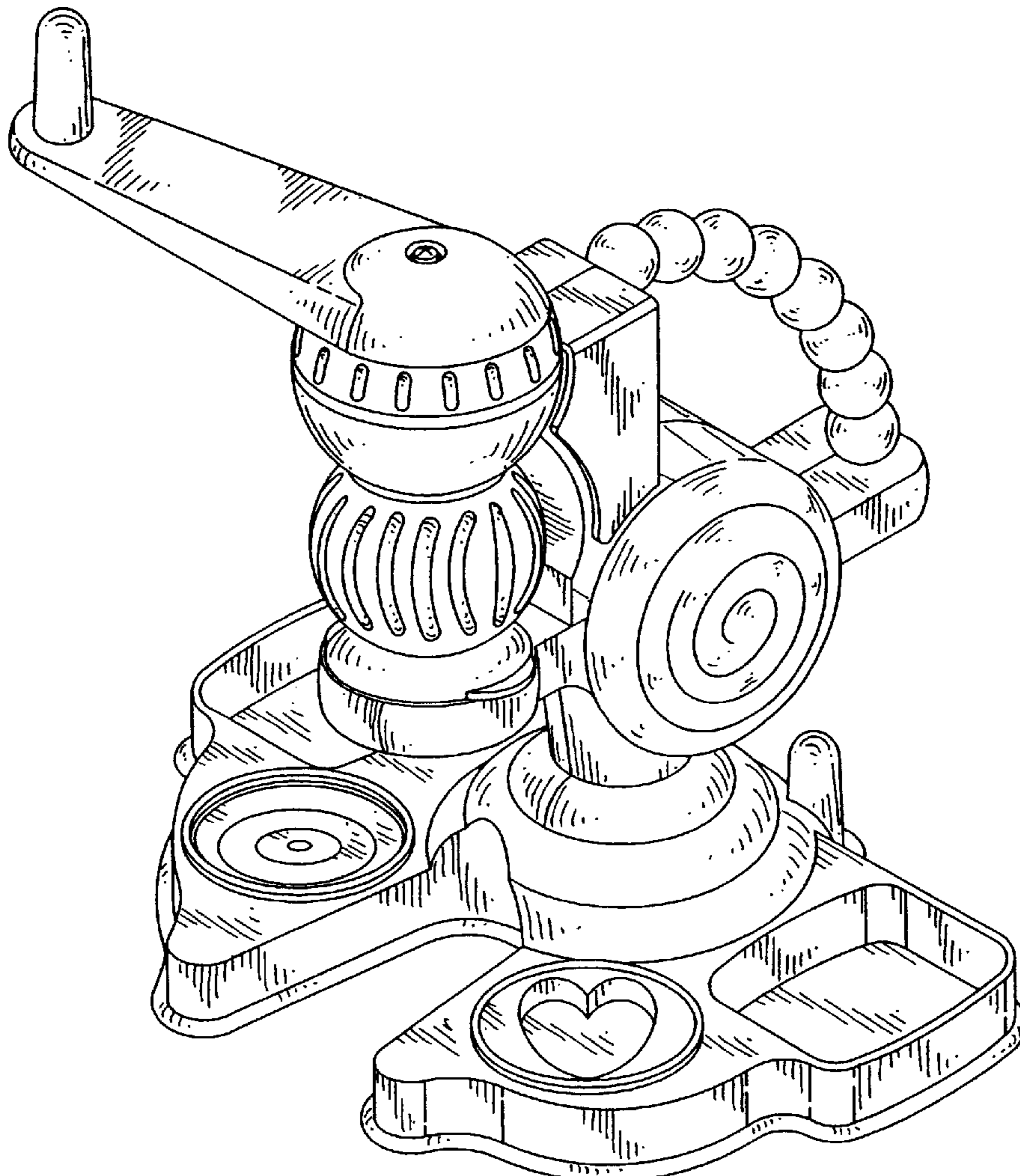
FIG. 4 is a top plan view thereof;

FIG. 5 is a bottom plan view thereof;

FIG. 6 is a left side elevational view thereof; and,

FIG. 7 is a right side elevational view thereof.

**1 Claim, 7 Drawing Sheets**



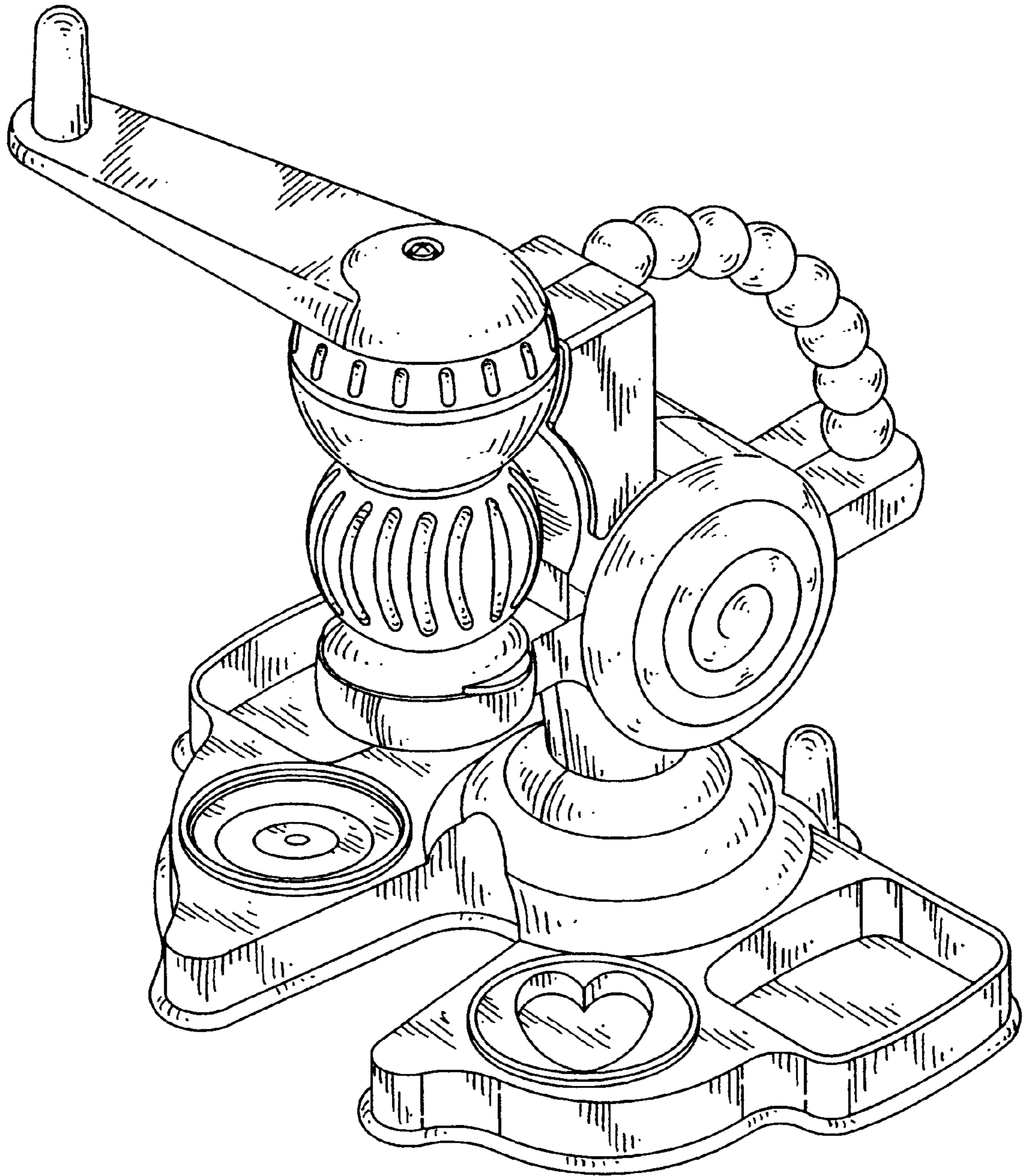


FIG. 1

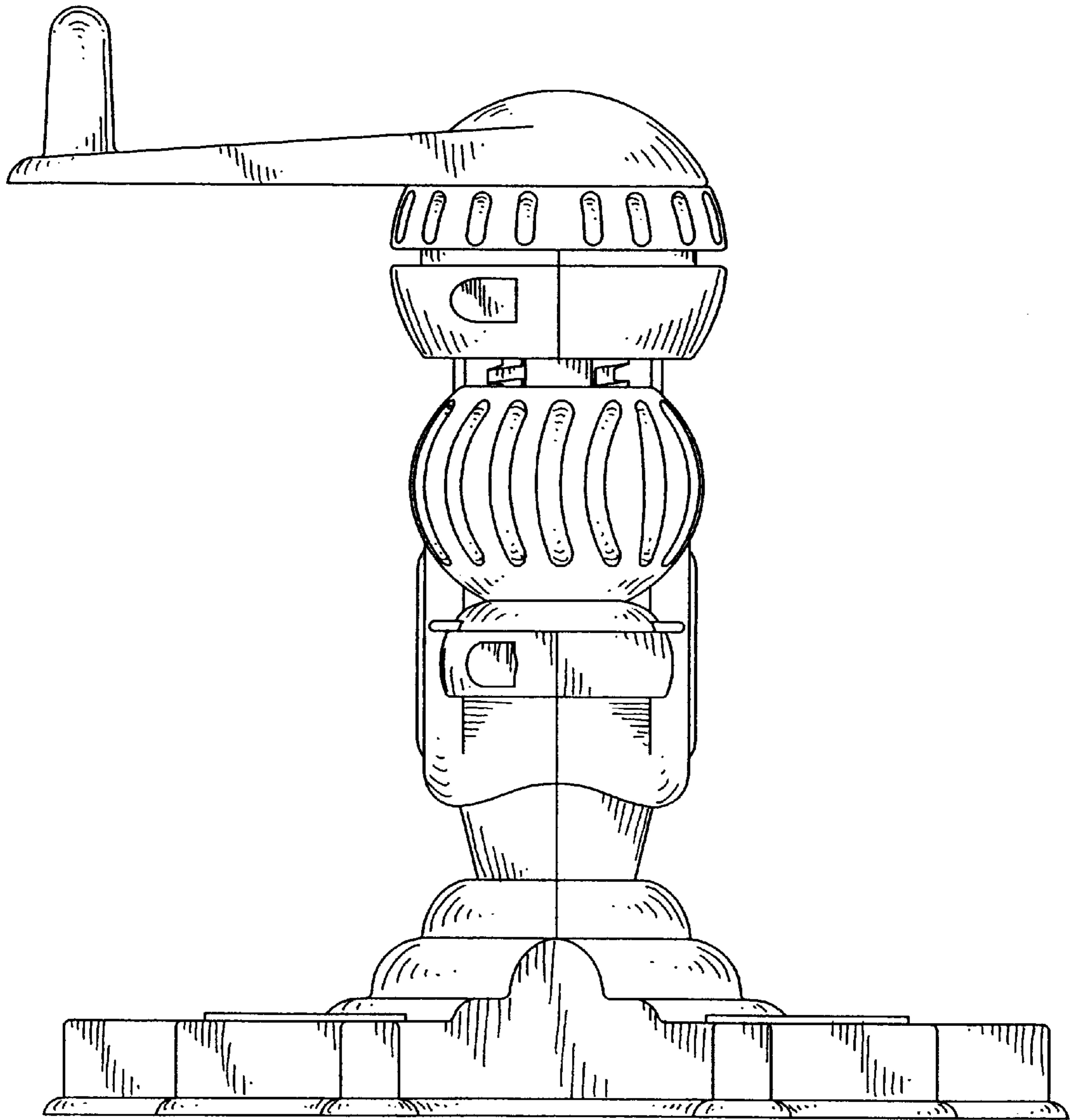


FIG. 2

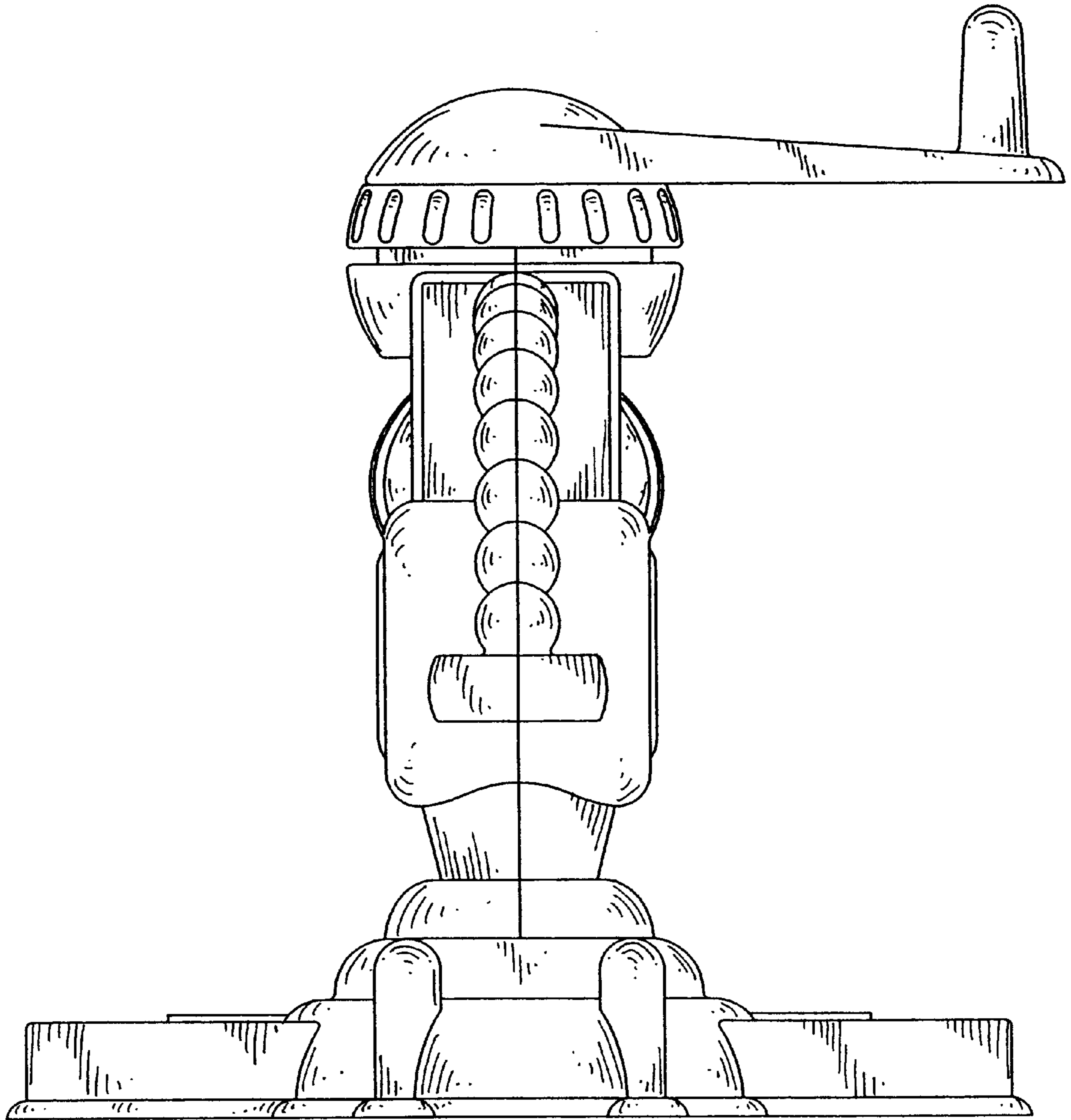


FIG. 3

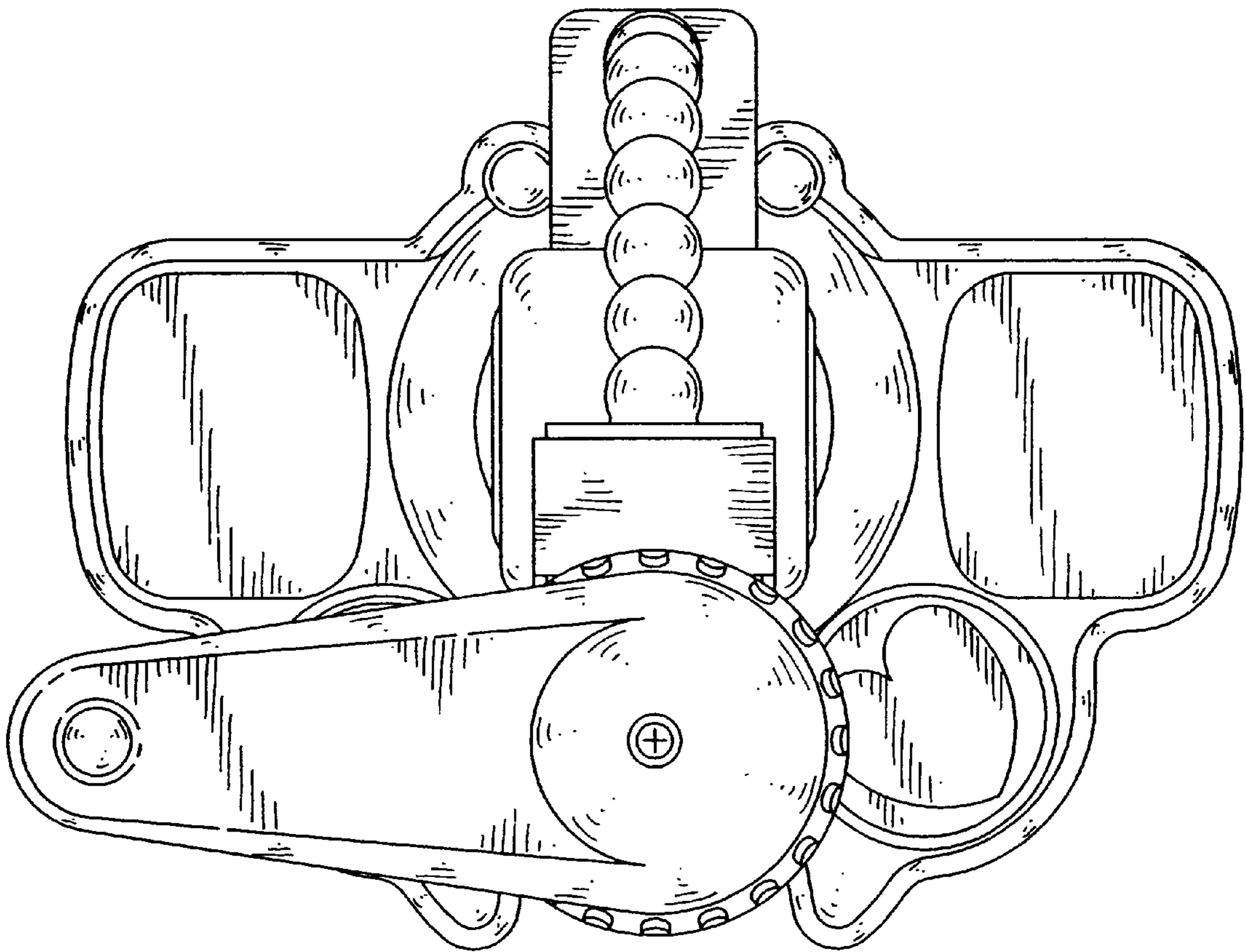


FIG. 4

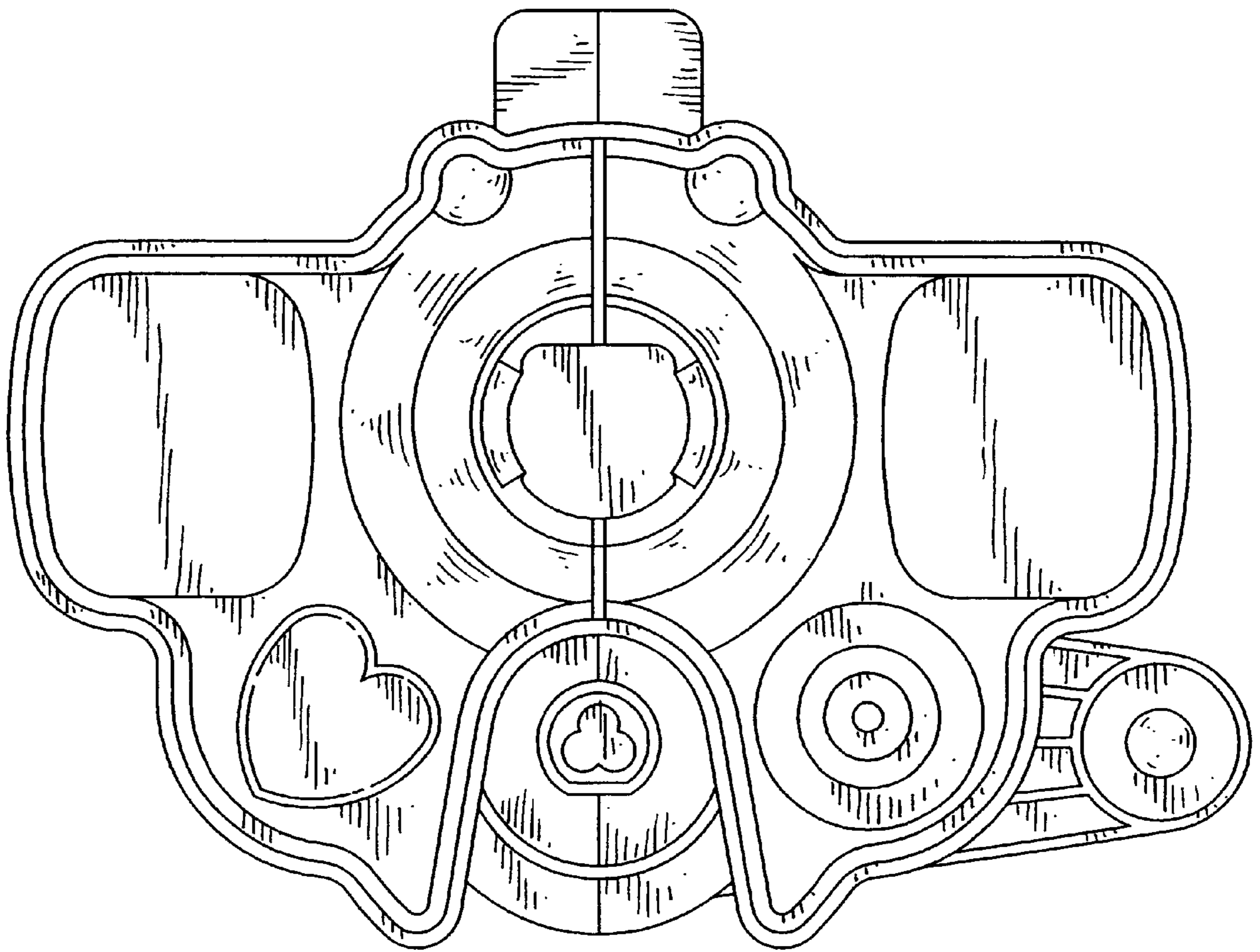


FIG. 5

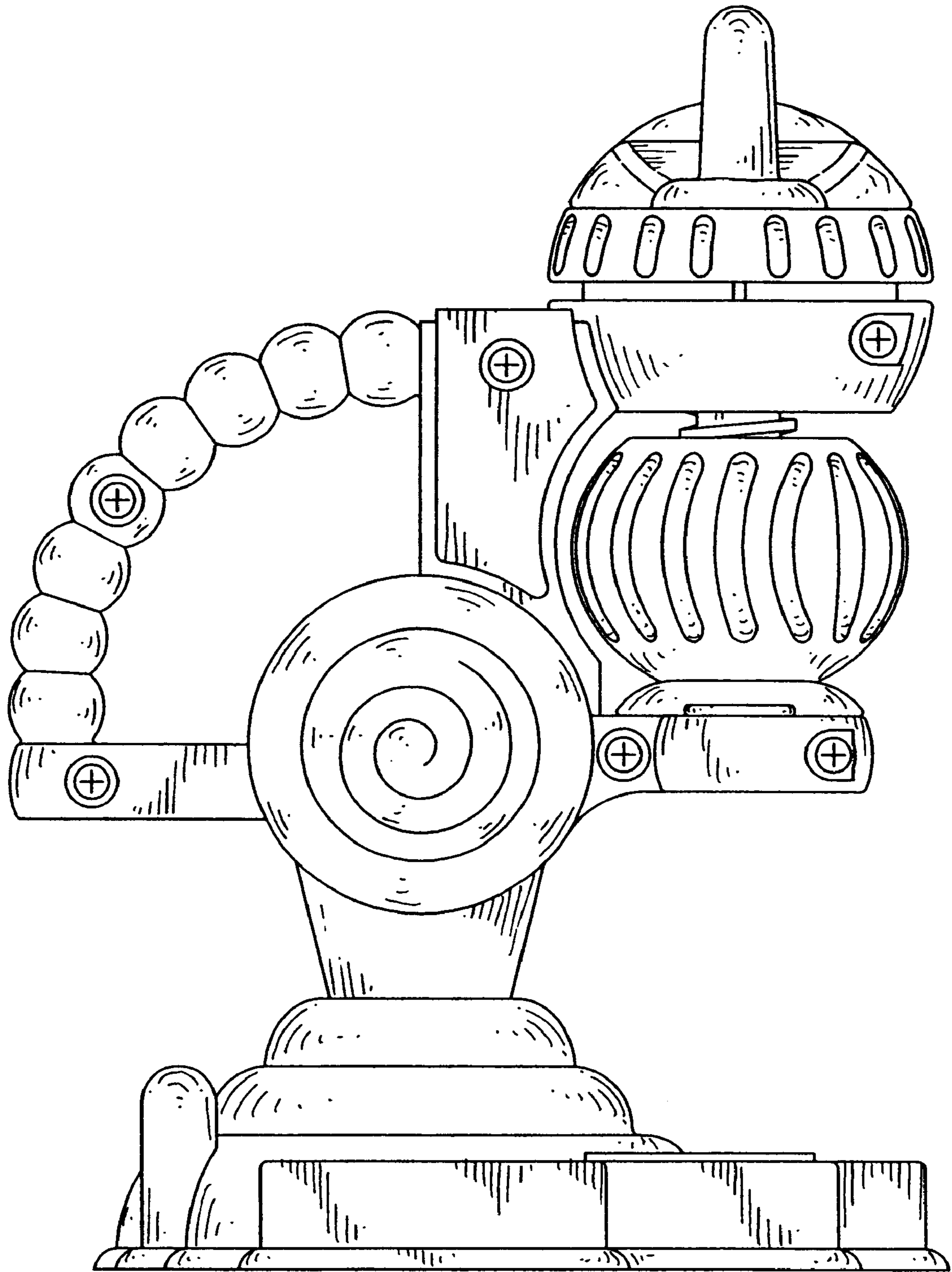


FIG. 6

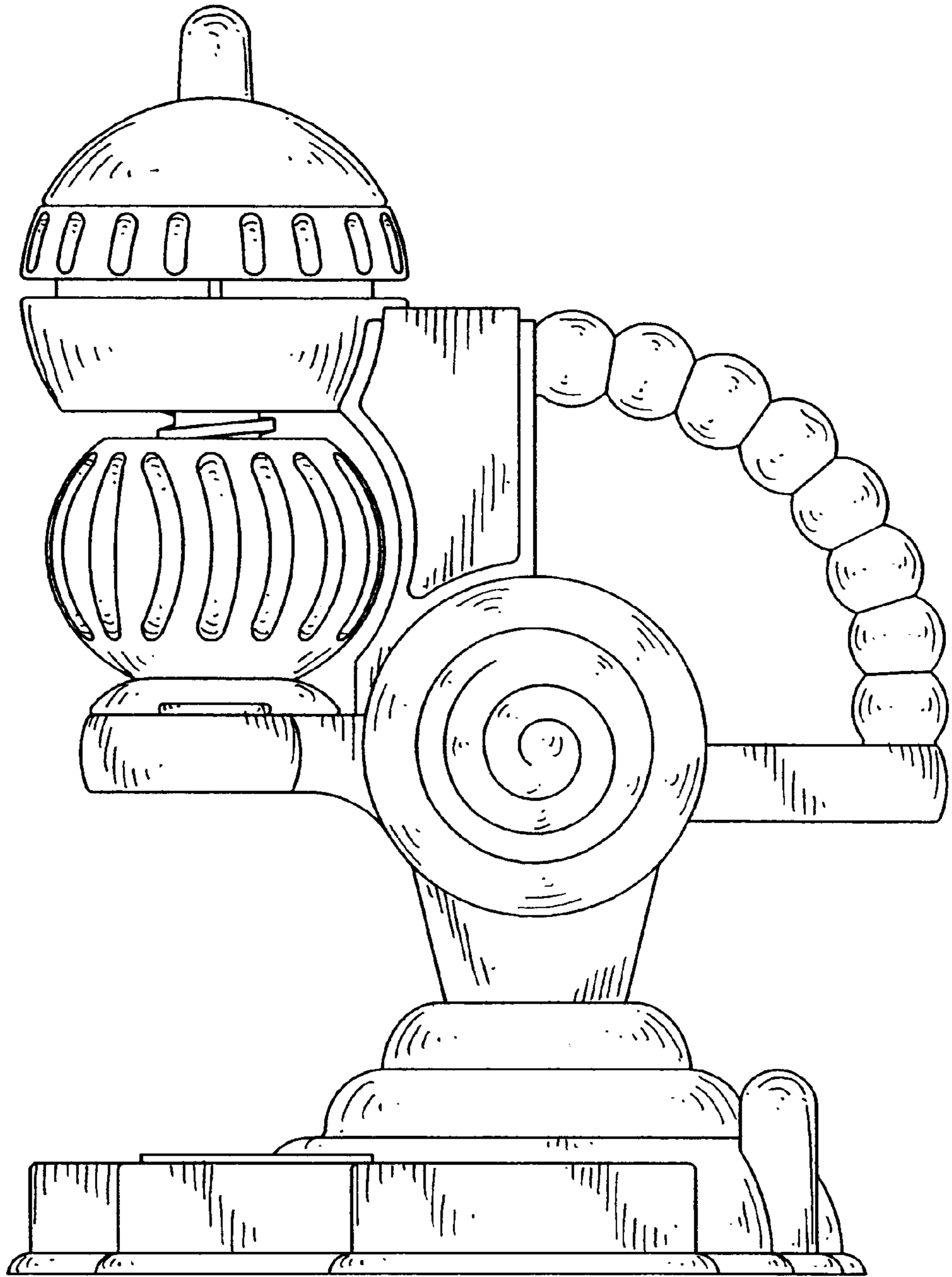


FIG. 7