



US00D451522B1

(12) **United States Design Patent**
Medley et al.

(10) **Patent No.:** **US D451,522 S**

(45) **Date of Patent:** **** Dec. 4, 2001**

(54) **ROTARY LAWN MOWER HOUSING**

(75) Inventors: **Darel D. Medley**, Huntsville, AL (US);
Laramie W. Mixon, Lexington, TN
(US); **Richard J. Pitman**, Nashville,
TN (US); **Donald W. Payne**, Spring
Hill, TN (US)

(73) Assignee: **Murray, Inc.**, Brentwood, TN (US)

(**) Term: **14 Years**

(21) Appl. No.: **29/134,123**

(22) Filed: **Dec. 15, 2000**

(51) **LOC (7) Cl.** **15-03**

(52) **U.S. Cl.** **D15/17**

(58) **Field of Search** D15/14, 16, 17;
56/229, 252, 255, 294, 320.1

(56) **References Cited**

U.S. PATENT DOCUMENTS

D. 177,235 * 3/1956 Huff D15/17

D. 212,636 * 11/1968 Schreckengost D15/17

D. 212,702 * 11/1968 Smith D15/17

D. 234,028 * 12/1974 Erickson D15/17

D. 309,311 * 7/1990 Jones et al. D15/17

* cited by examiner

Primary Examiner—Mitchell Siegel

(74) *Attorney, Agent, or Firm*—Kevin E. Joyce

(57) **CLAIM**

The ornamental design for a rotary lawn mower housing, as shown and described.

DESCRIPTION

FIG. 1 is a right front perspective view of a rotary lawn mower housing showing our new design;

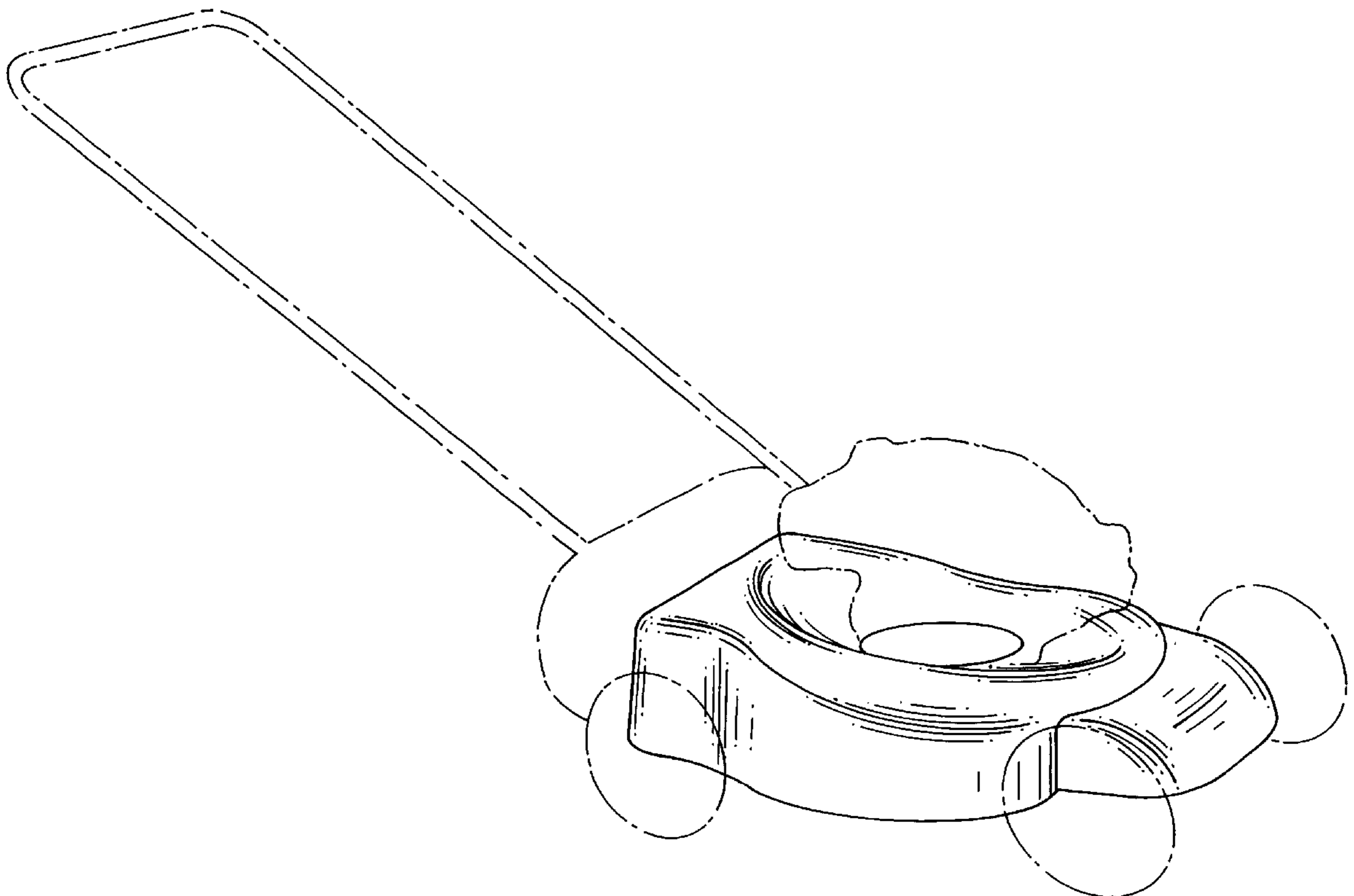
FIG. 2 is a left front perspective view thereof;

FIG. 3 is a front top perspective view thereof; and,

FIG. 4 is a left rear perspective view thereof.

The broken lines in the drawings are for illustrative purposes only and form no part of the claimed design.

1 Claim, 4 Drawing Sheets



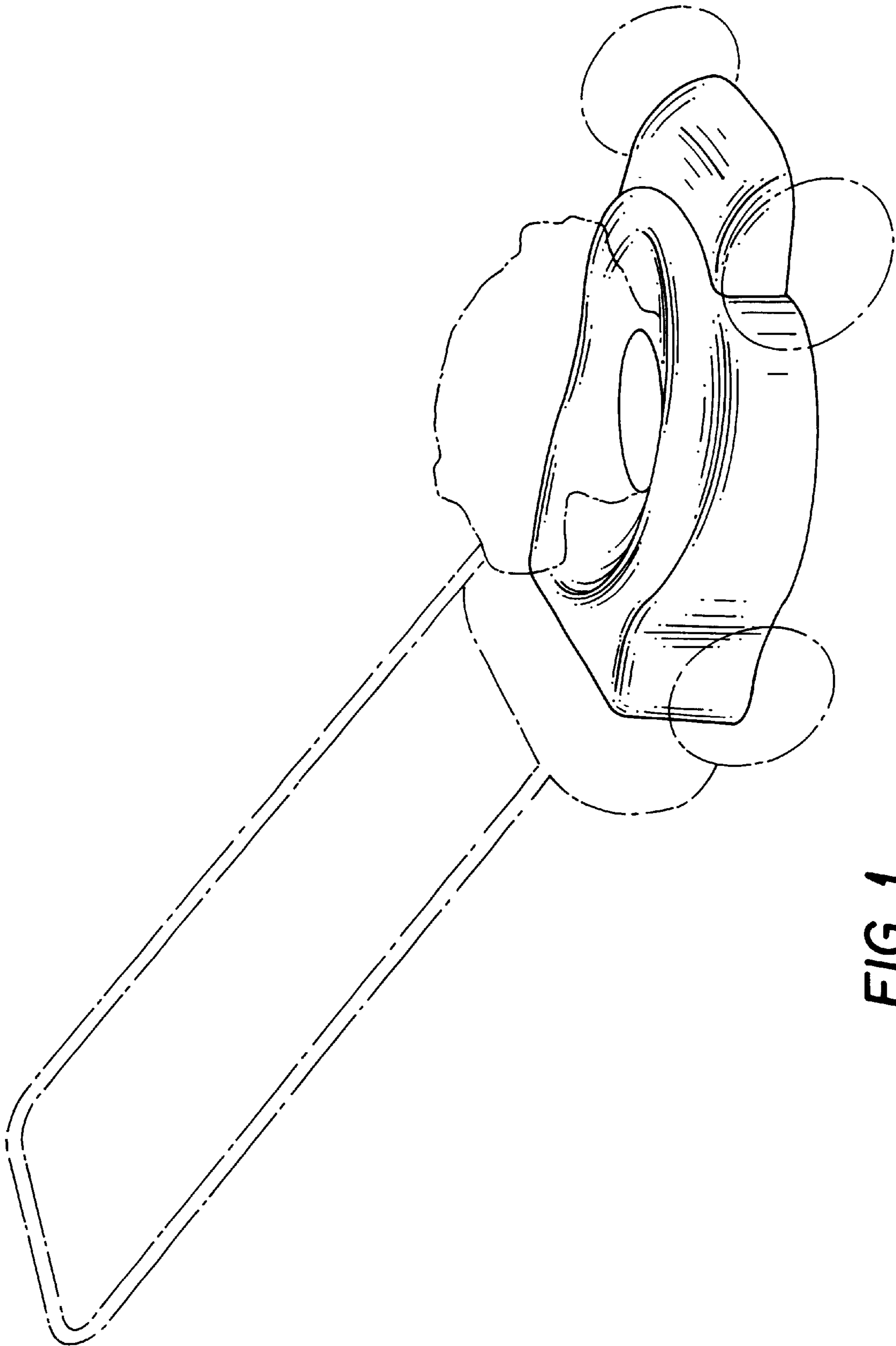


FIG. 1

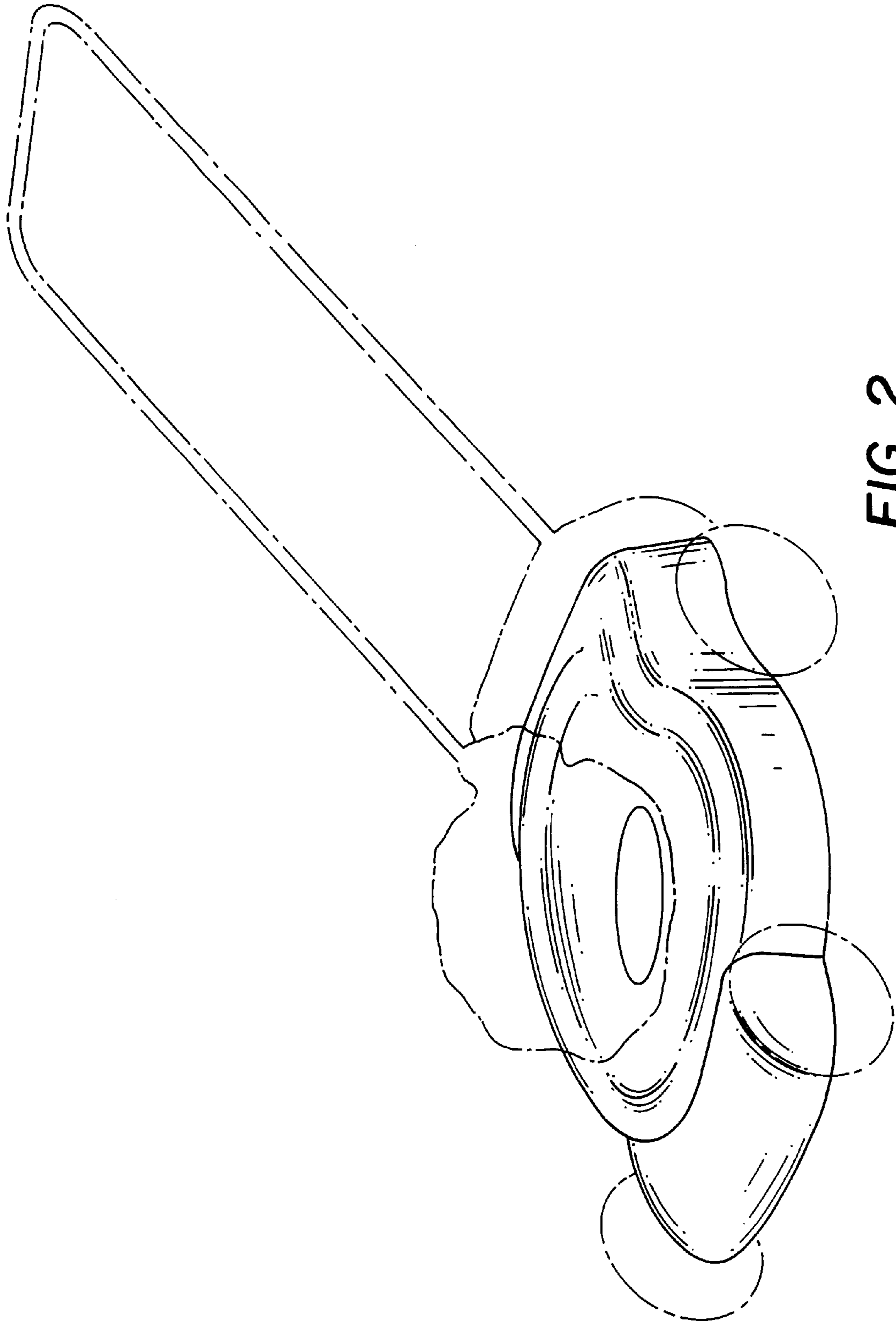


FIG. 2

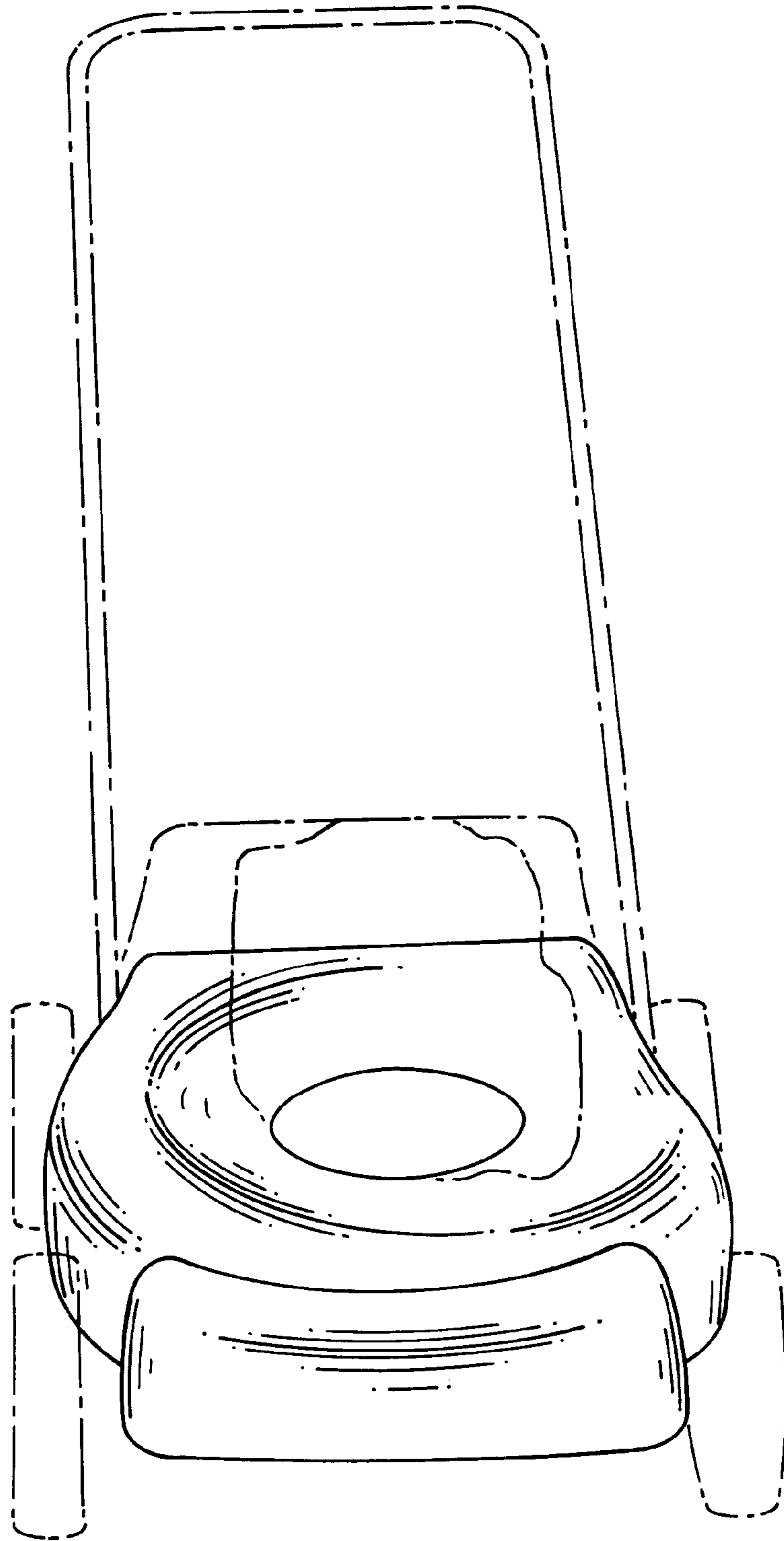


FIG. 3

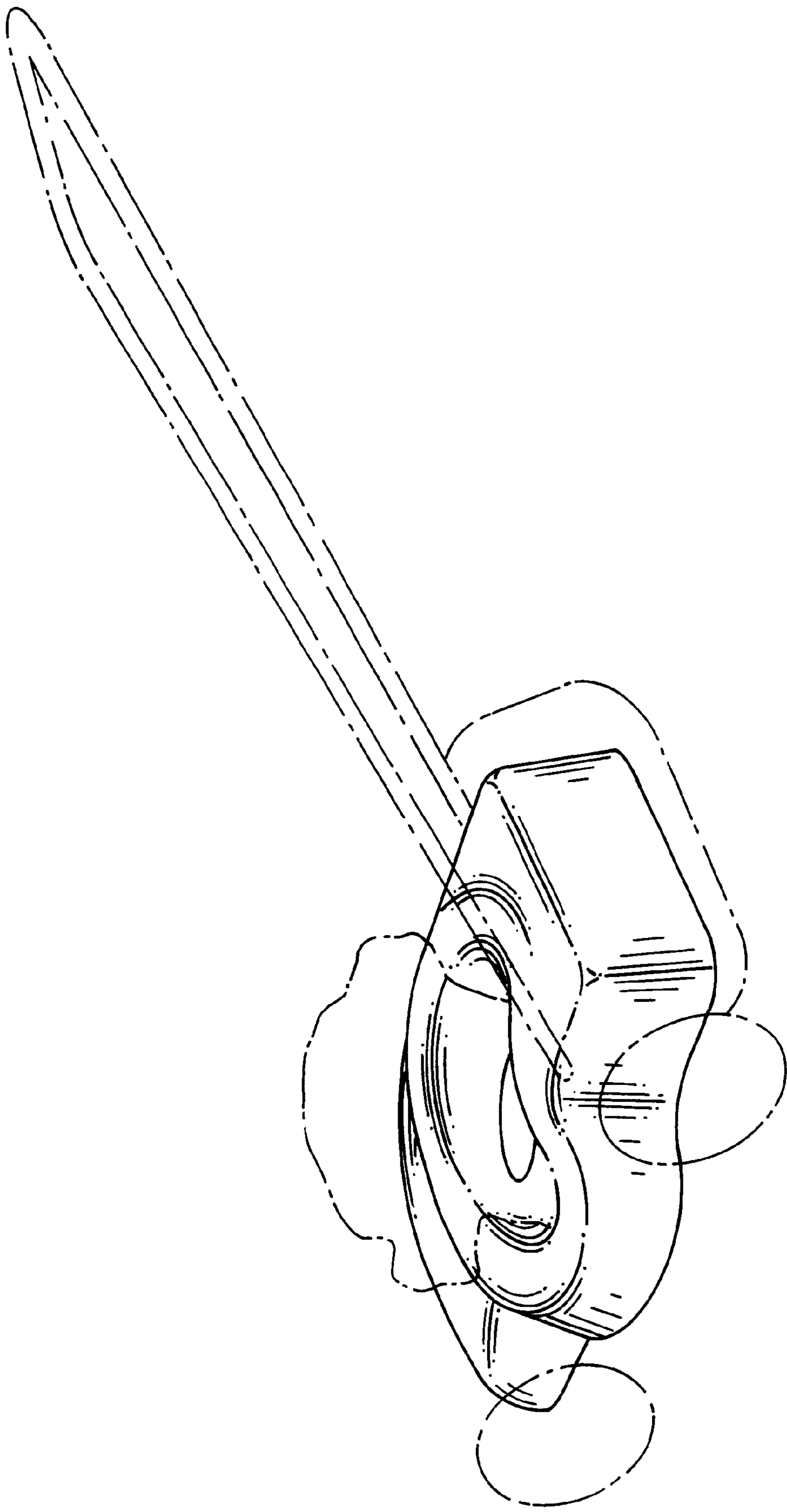


FIG. 4