



US00D451520B1

(12) **United States Design Patent**
Fukuda

(10) **Patent No.:** **US D451,520 S**

(45) **Date of Patent:** **** Dec. 4, 2001**

(54) **COMPUTER GENERATED IMAGE FOR
DISPLAY PANEL OR SCREEN**

(75) Inventor: **Kei Fukuda**, Tokyo (JP)

(73) Assignee: **Sony Corporation**, Tokyo (JP)

(**) Term: **14 Years**

(21) Appl. No.: **29/126,879**

(22) Filed: **Jul. 27, 2000**

(51) **LOC (7) Cl.** **14-02**

(52) **U.S. Cl.** **D14/485**

(58) **Field of Search** D14/485-95; D18/24-33;
D19/6; D20/11; D21/324-33; 345/326,
339-58

(56) **References Cited**

U.S. PATENT DOCUMENTS

- D. 407,698 * 4/1999 Alexiev .
- D. 418,121 * 12/1999 Hartford et al. .
- D. 418,827 * 1/2000 Hartford et al. .

D. 428,397 * 7/2000 Palalau et al. .

OTHER PUBLICATIONS

“VAIO (PCG-C1XE)”, Sony, Sep. 1999.

* cited by examiner

Primary Examiner—M. H. Tung

(74) *Attorney, Agent, or Firm*—Rader, Fishman & Grauer, PLLC

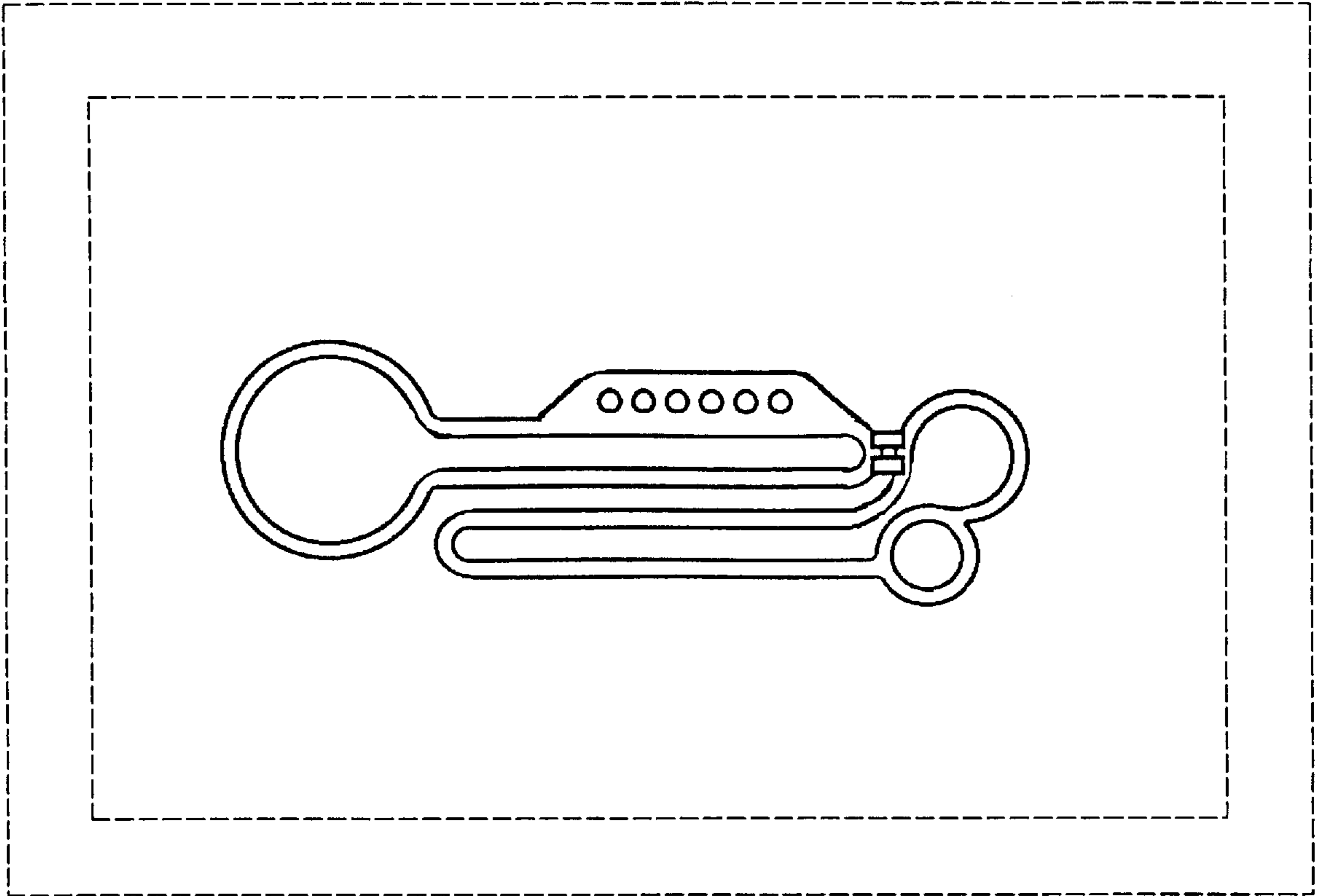
(57) **CLAIM**

The ornamental design for a computer generated image for a display panel or screen, as shown and described.

DESCRIPTION

FIG. 1 is a front view of a computer generated image for display panel or screen showing my new design; and, FIG. 2 is a front view of a second embodiment thereof. The broken line drawing of a display panel or screen in all views is for illustrative purposes only and forms no part of the claimed design.

1 Claim, 2 Drawing Sheets



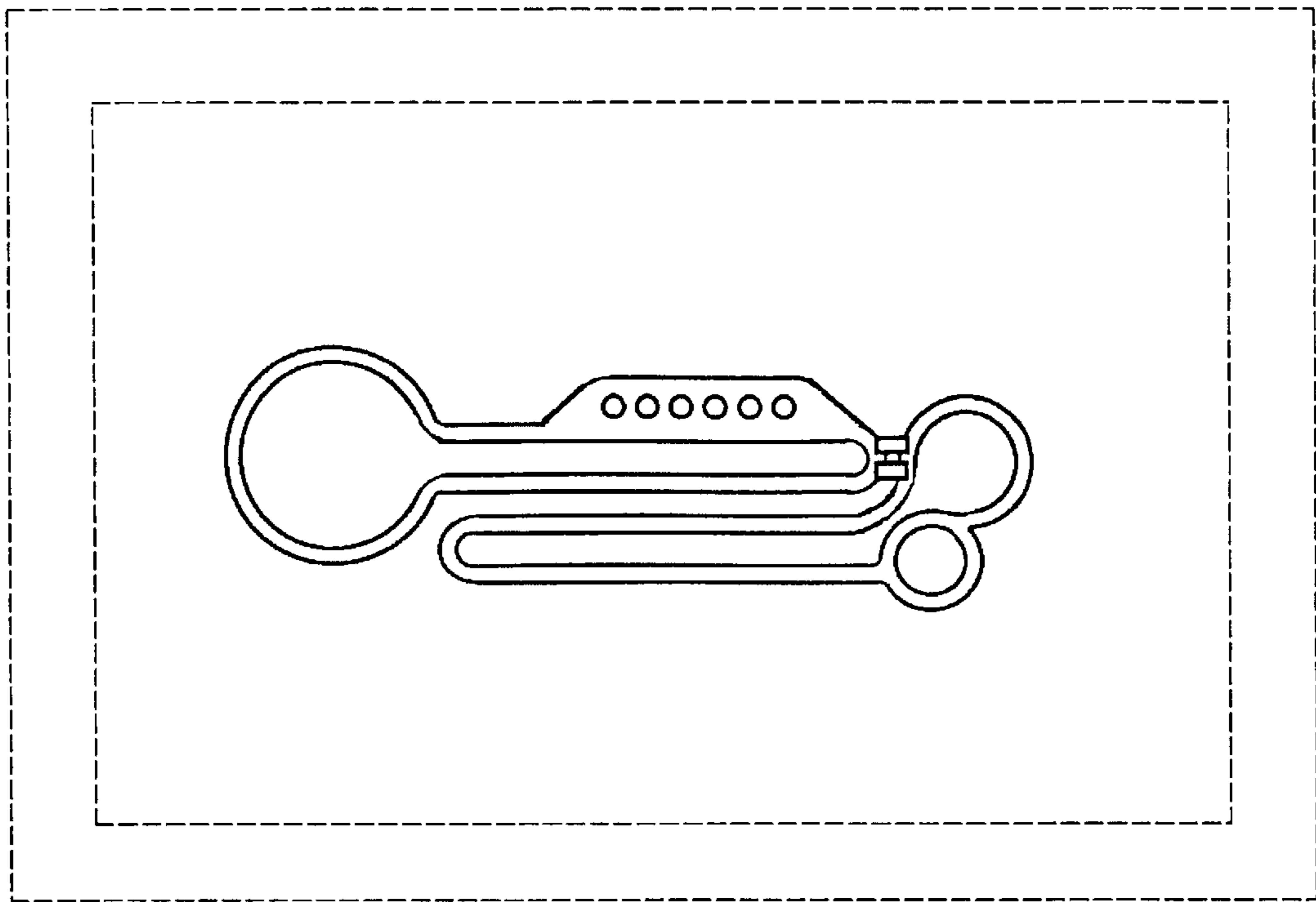


FIG. 1

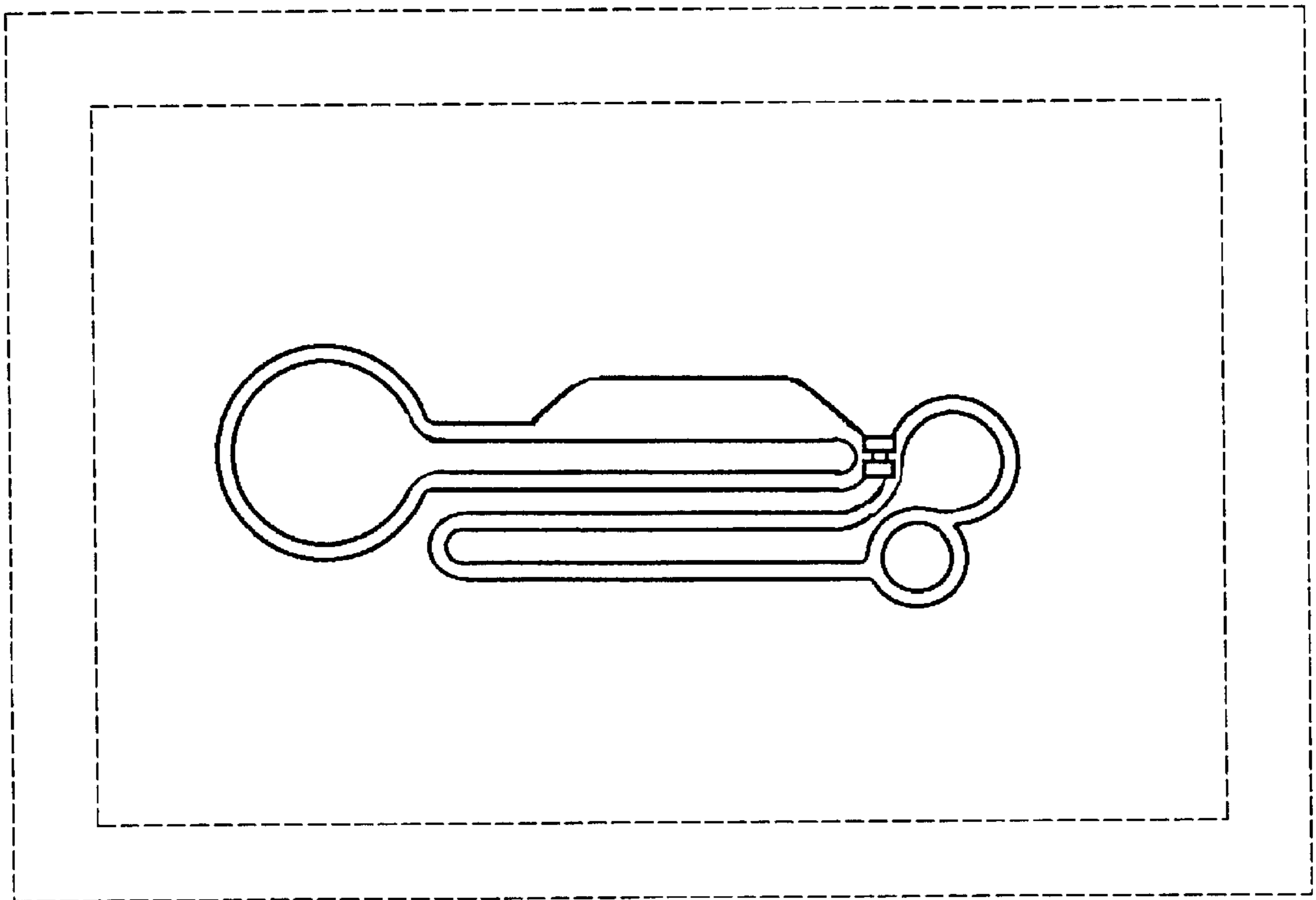


FIG. 2