



US00D451511B1

(12) **United States Design Patent**  
**Hervig et al.**

(10) **Patent No.:** **US D451,511 S**

(45) **Date of Patent:** **\*\* Dec. 4, 2001**

(54) **COMPUTER MOUSE**

(76) Inventors: **Dana P. Hervig**, 1450 102nd St. E.,  
Inver Grove Heights, MN (US) 55077;  
**Dennis D. Heard**, 4509 2nd Ave. S.,  
Mpls., MN (US) 55409

(\*\*) Term: **14 Years**

(21) Appl. No.: **29/127,378**

(22) Filed: **Aug. 3, 2000**

(51) **LOC (7) Cl.** ..... **14-02**

(52) **U.S. Cl.** ..... **D14/403**

(58) **Field of Search** ..... D14/402-410;  
D12/82-100; 200/5 R, 5 A, 6 R, 6 A; 273/148 B;  
345/156-167; 74/47 XY; 463/36, 37, 38

(56) **References Cited**

**U.S. PATENT DOCUMENTS**

D. 387,748 \* 12/1997 Martella ..... D14/403

D. 404,027 \* 1/1999 Bush ..... D14/403  
D. 426,215 \* 6/2000 Whalen ..... D14/403  
D. 440,973 \* 4/2001 Bush ..... D14/403

\* cited by examiner

*Primary Examiner*—Kay H. Chin

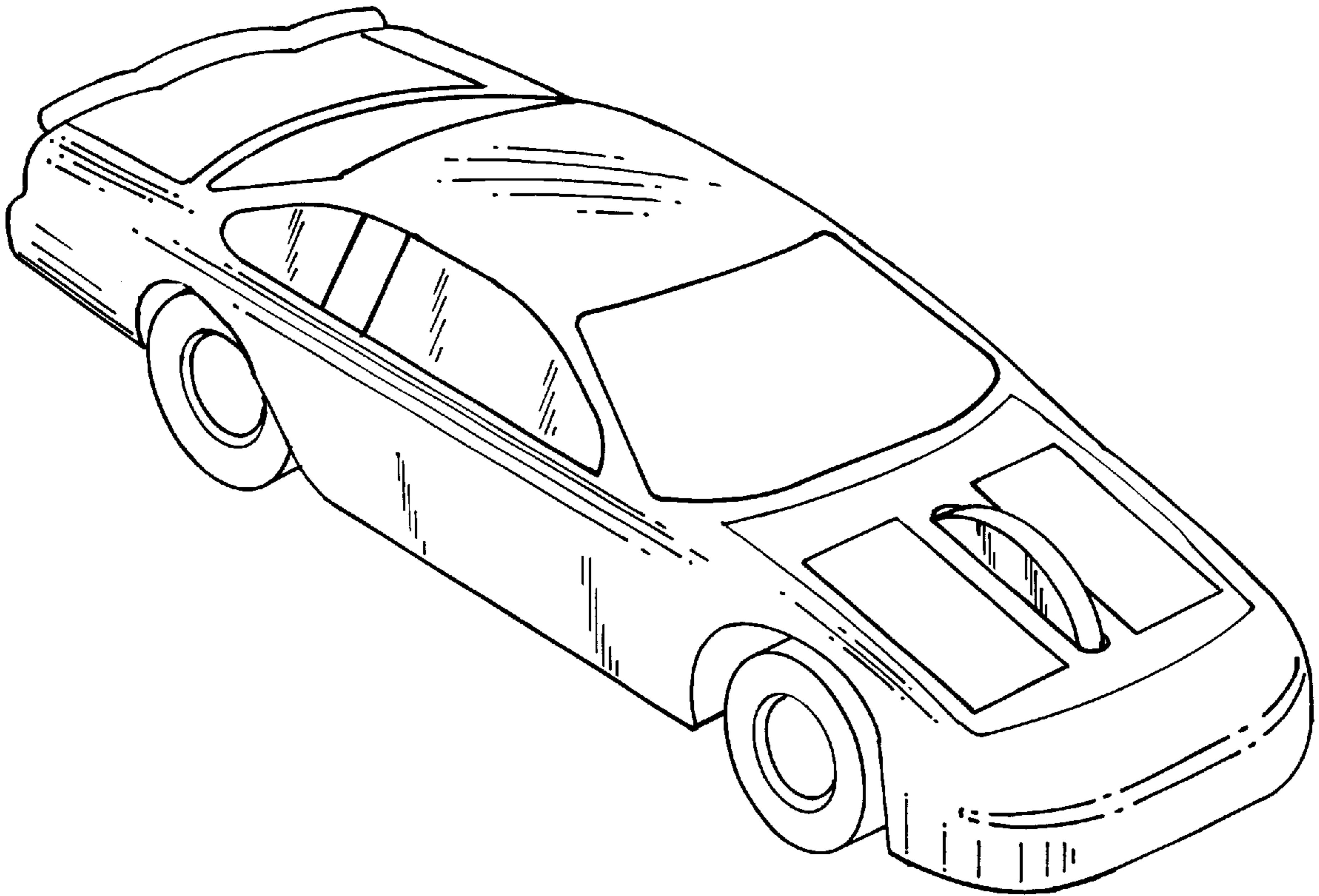
(57) **CLAIM**

The ornamental design for a computer mouse, as shown and described.

**DESCRIPTION**

FIG. 1 is a top perspective view of a computer mouse showing our new design;  
FIG. 2 is a top plan view thereof;  
FIG. 3 is a front elevational view thereof;  
FIG. 4 is a right side elevational view thereof;  
FIG. 5 is a left side elevational view thereof;  
FIG. 6 is a rear elevational view thereof; and,  
FIG. 7 is a bottom plan view thereof.

**1 Claim, 4 Drawing Sheets**



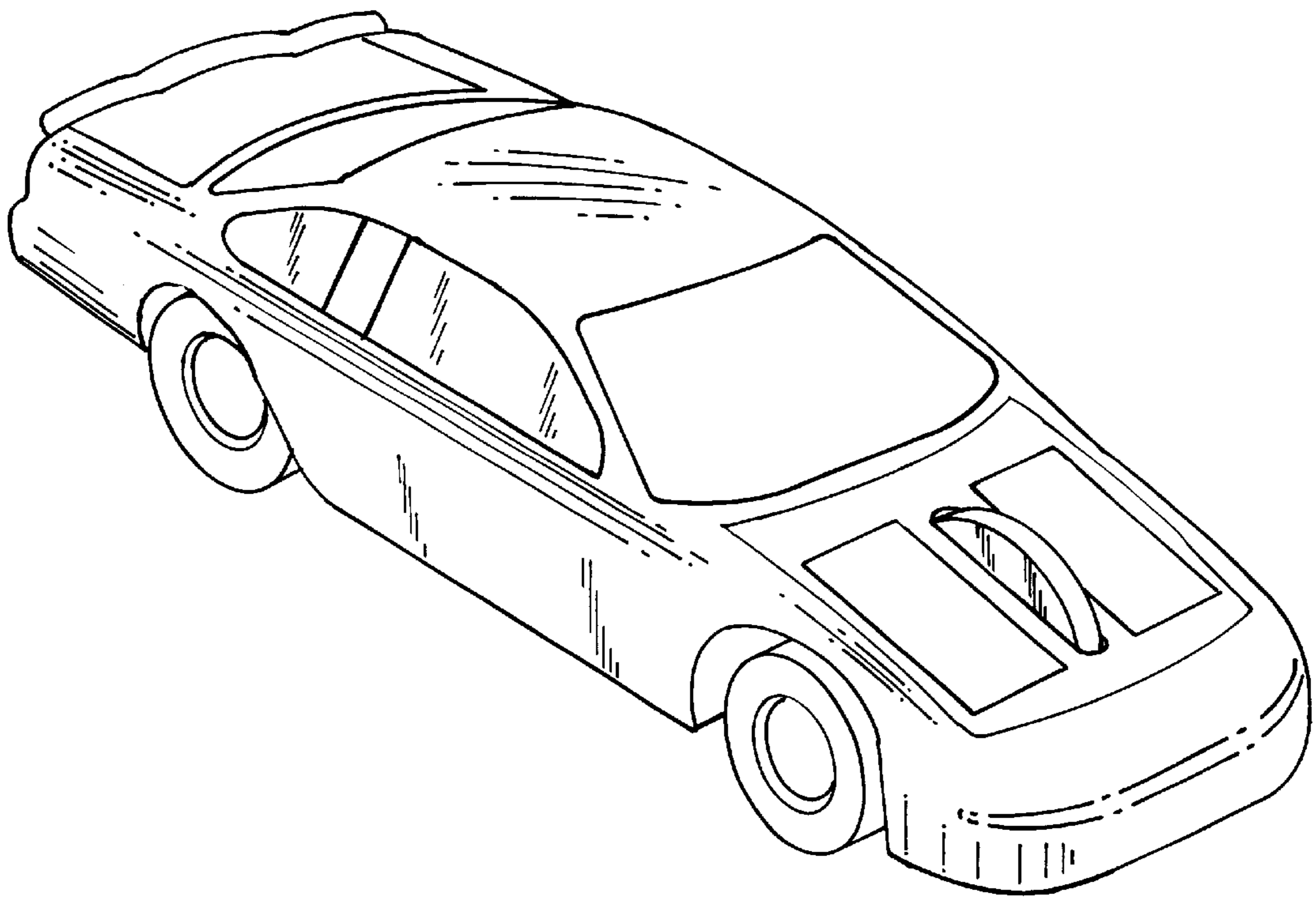


FIG. 1

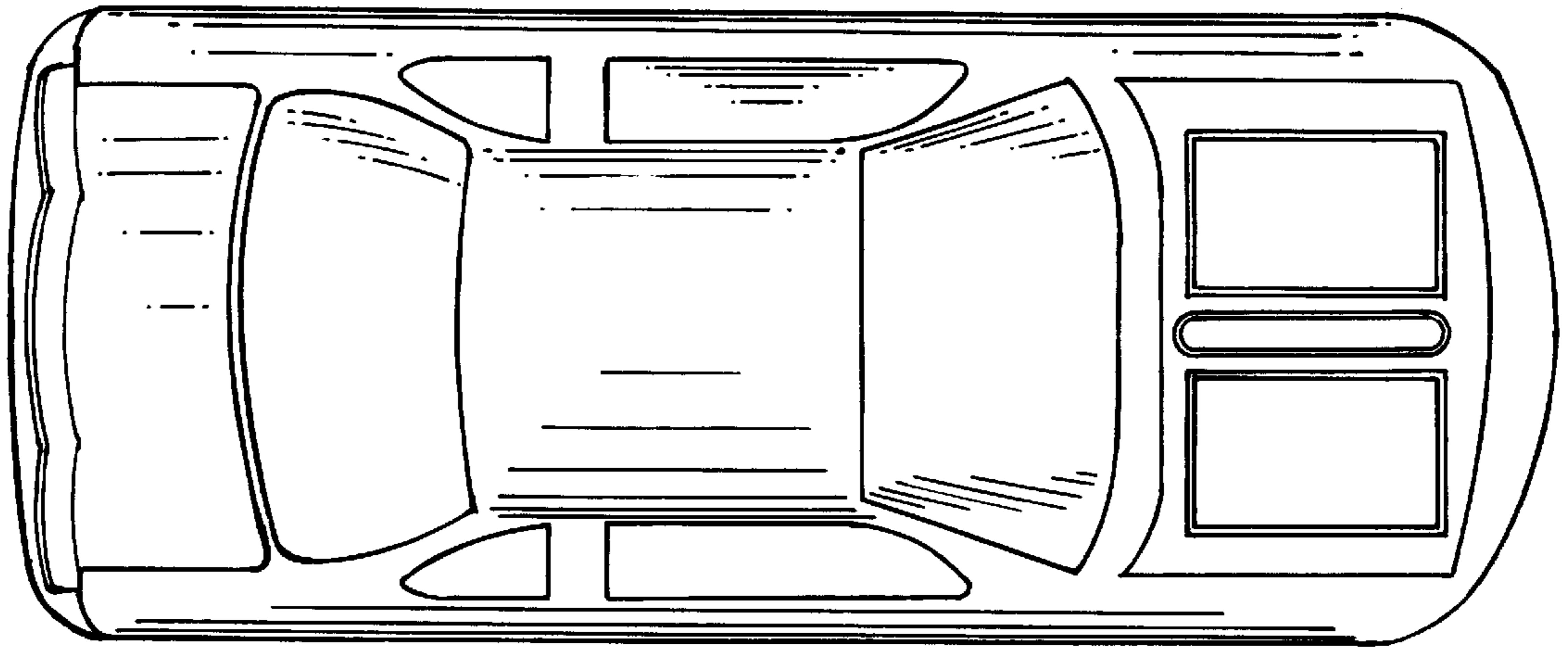


FIG. 2

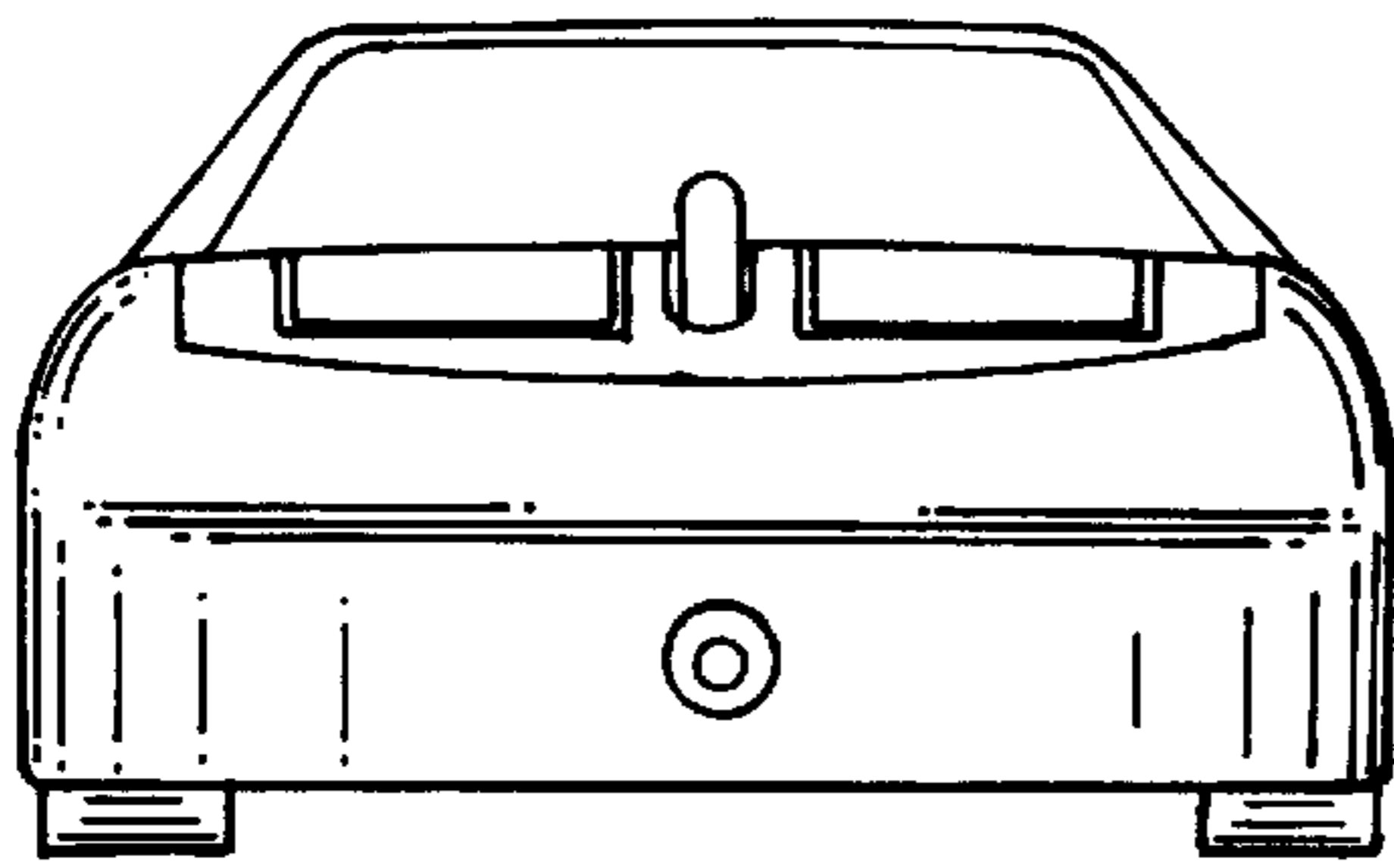


FIG. 3

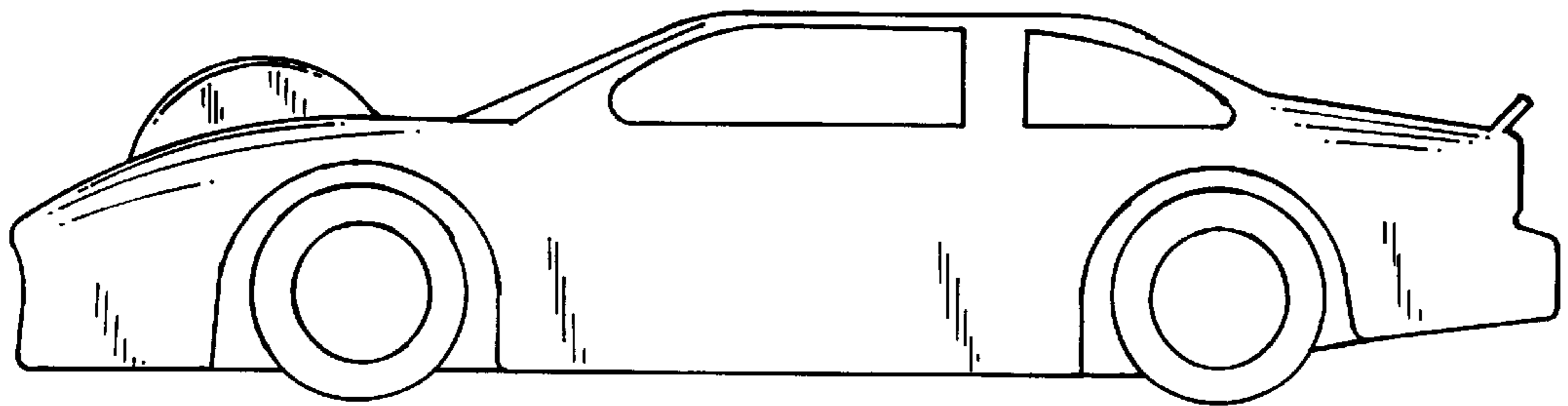


FIG. 4

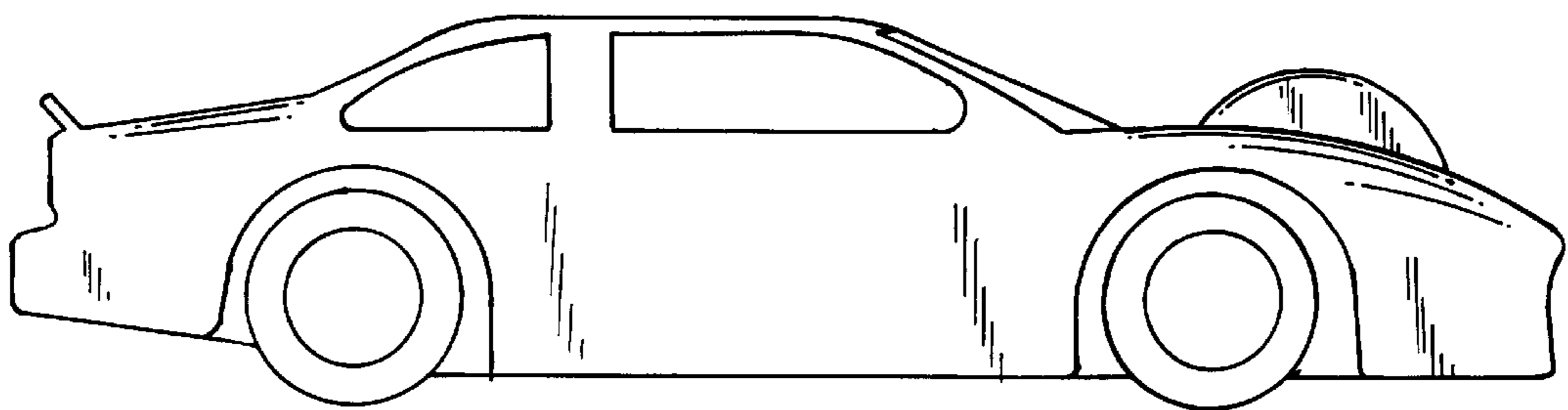


FIG. 5

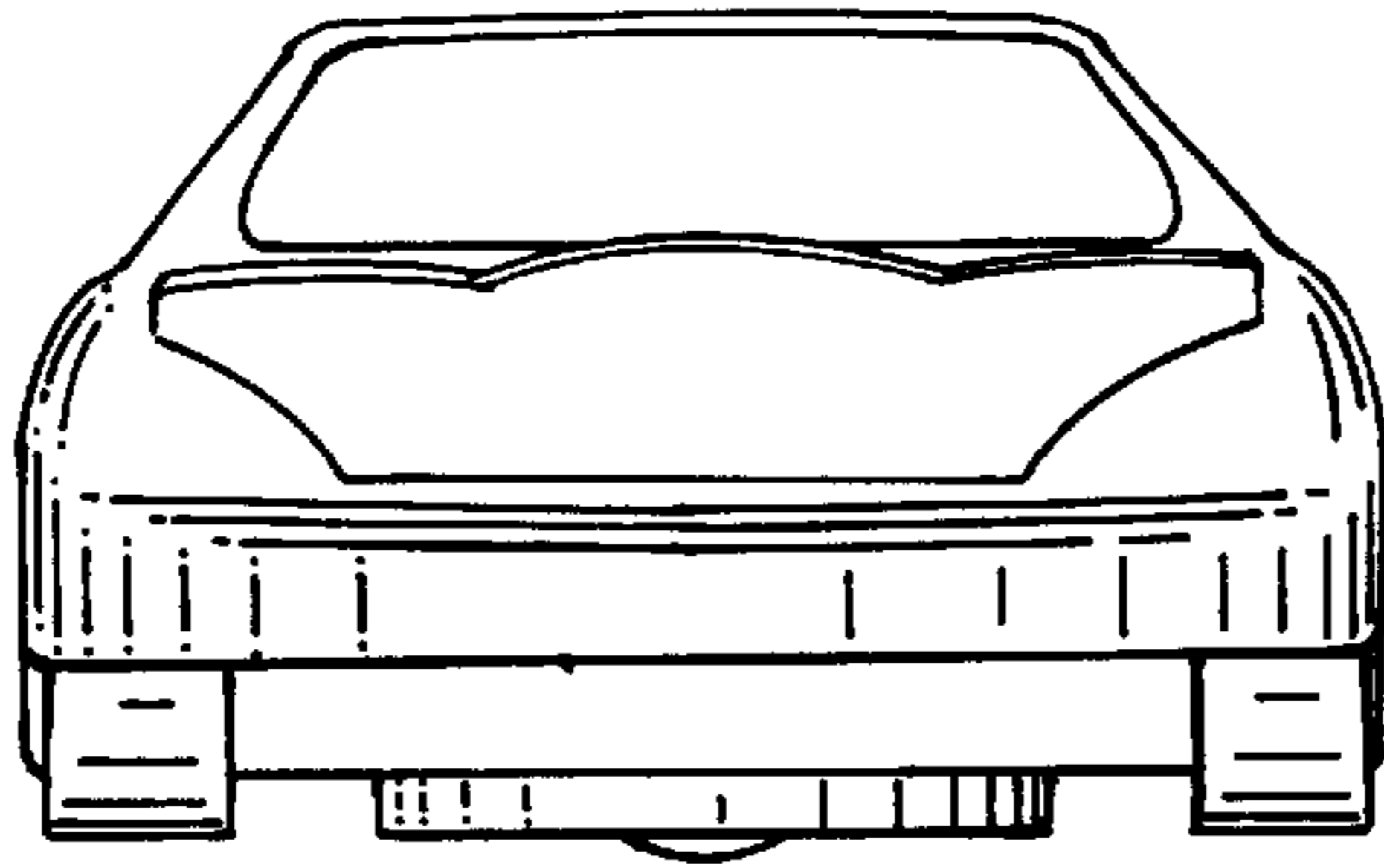


FIG. 6

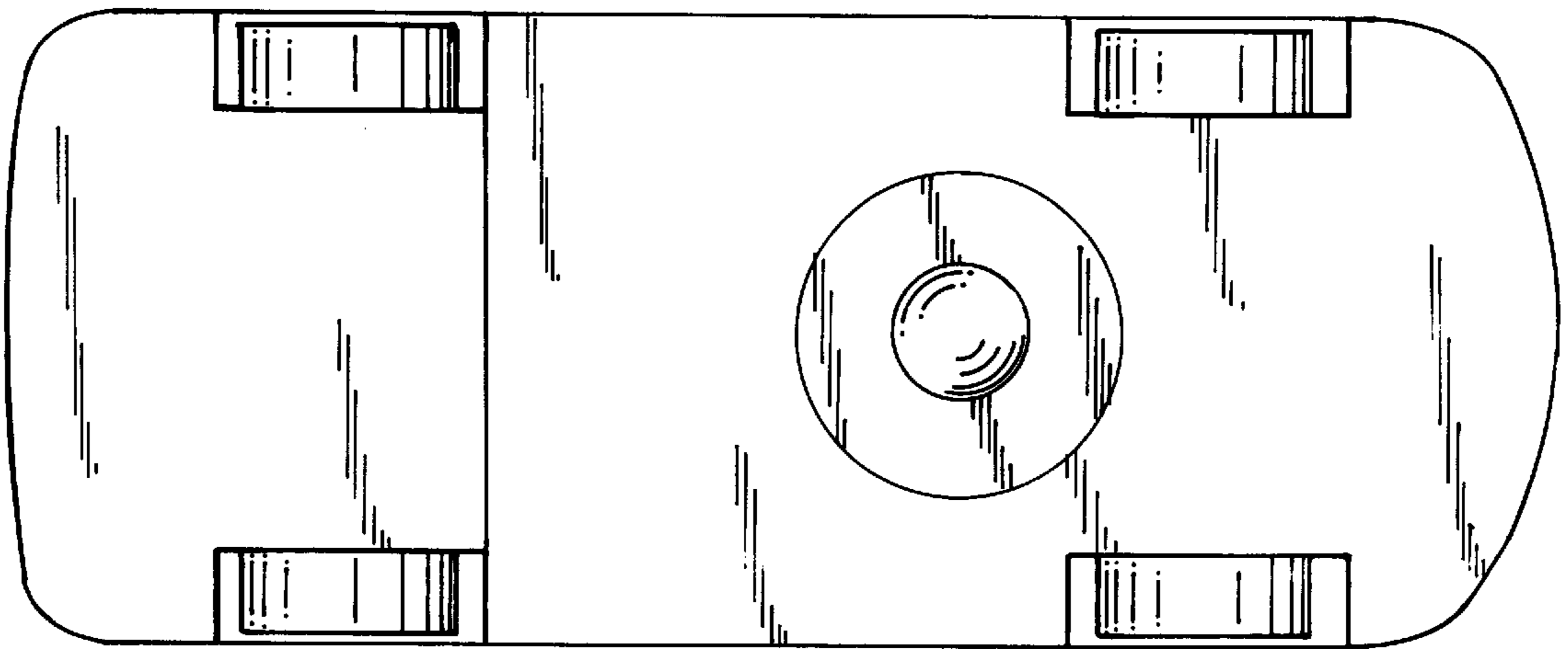


FIG. 7