



US00D451501B1

(12) **United States Design Patent**  
**Sward et al.**

(10) **Patent No.:** **US D451,501 S**

(45) **Date of Patent:** **\*\* Dec. 4, 2001**

(54) **PCMCIA CARD WITH EXTENDABLE ANTENNA**

(75) Inventors: **Douglas Alan Sward**, Midvale; **Brent Madsen**, Providence; **Ryan Kunz**, Roy, all of UT (US)

(73) Assignee: **3Com Corporation**, Santa Clara, CA (US)

(\*\*) Term: **14 Years**

(21) Appl. No.: **29/130,851**

(22) Filed: **Oct. 10, 2000**

(51) **LOC (7) Cl.** ..... **14-01**

(52) **U.S. Cl.** ..... **D14/242**

(58) **Field of Search** ..... D14/125, 257, D14/140, 142, 299, 433, 434, 356-358, 435-438, 308, 349, 353, 240, 242, 155, 159, 141, 352, 439; 379/419, 420, 428, 440, 406, 93.01, 93.28; 455/550-575, 90; D13/184; 361/600, 622, 724-728; 375/220-225

(56) **References Cited**

**U.S. PATENT DOCUMENTS**

D. 345,980	*	4/1994	Scheid et al.	.....	D14/191
D. 354,280	*	1/1995	Fenton	.....	D14/107
D. 355,173	*	2/1995	Fenton et al.	.....	D14/107
D. 355,412	*	2/1995	Rak et al.	.....	D14/107
D. 361,332	*	8/1995	Scheid et al.	.....	D14/191
D. 364,399	*	11/1995	Long	.....	D14/114
D. 370,904	*	6/1996	Nakata et al.	.....	D14/116
D. 371,770	*	7/1996	Larson et al.	.....	D14/107
D. 375,941	*	11/1996	Kerklaan	.....	D13/182

D. 378,085	*	2/1997	Kerklaan et al.	.....	D14/114
D. 411,202	*	6/1999	Flanagan, III et al.	.....	D14/242
D. 414,481	*	9/1999	Wu	.....	D14/117
D. 415,479	*	10/1999	Yang et al.	.....	D14/114
D. 425,045	*	5/2000	Ting	.....	D14/117
D. 425,072	*	5/2000	Dosch et al.	.....	D14/242
D. 431,035	*	9/2000	Lehtomaki	.....	D14/242
5,361,061	*	11/1994	Mays et al.	.....	340/825.44
5,769,643	*	6/1998	Stevens, III	.....	434/350
5,913,174	*	6/1999	Casarez et al.	.....	455/557
5,918,163	*	6/1999	Rossi	.....	455/90
6,131,040	*	10/2000	Knuutila et al.	.....	455/550

\* cited by examiner

*Primary Examiner*—Jeffrey Asch

(74) *Attorney, Agent, or Firm*—Wagner Murabito & Hao LLP

(57) **CLAIM**

The ornamental design for a PCMCIA card with extendable antenna, as shown and described.

**DESCRIPTION**

FIG. 1 is an upper front perspective view in the closed position of a PCMCIA card with extendable antenna showing our new design;

FIG. 2 is an upper front perspective view in the open position thereof;

FIG. 3 is a top plan view in the open position thereof;

FIG. 4 is a front elevational view thereof;

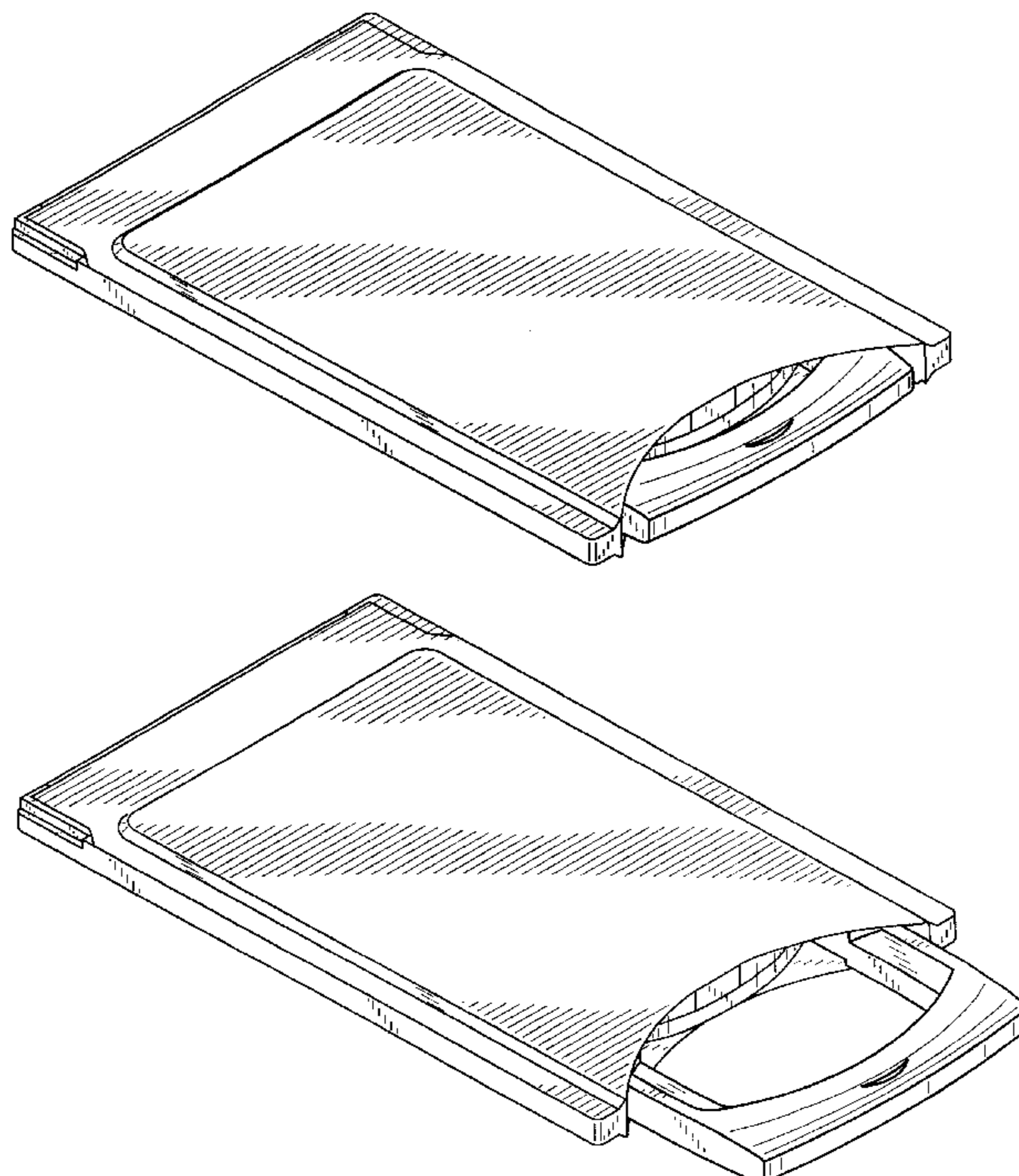
FIG. 5 is a bottom plan view in the open position thereof;

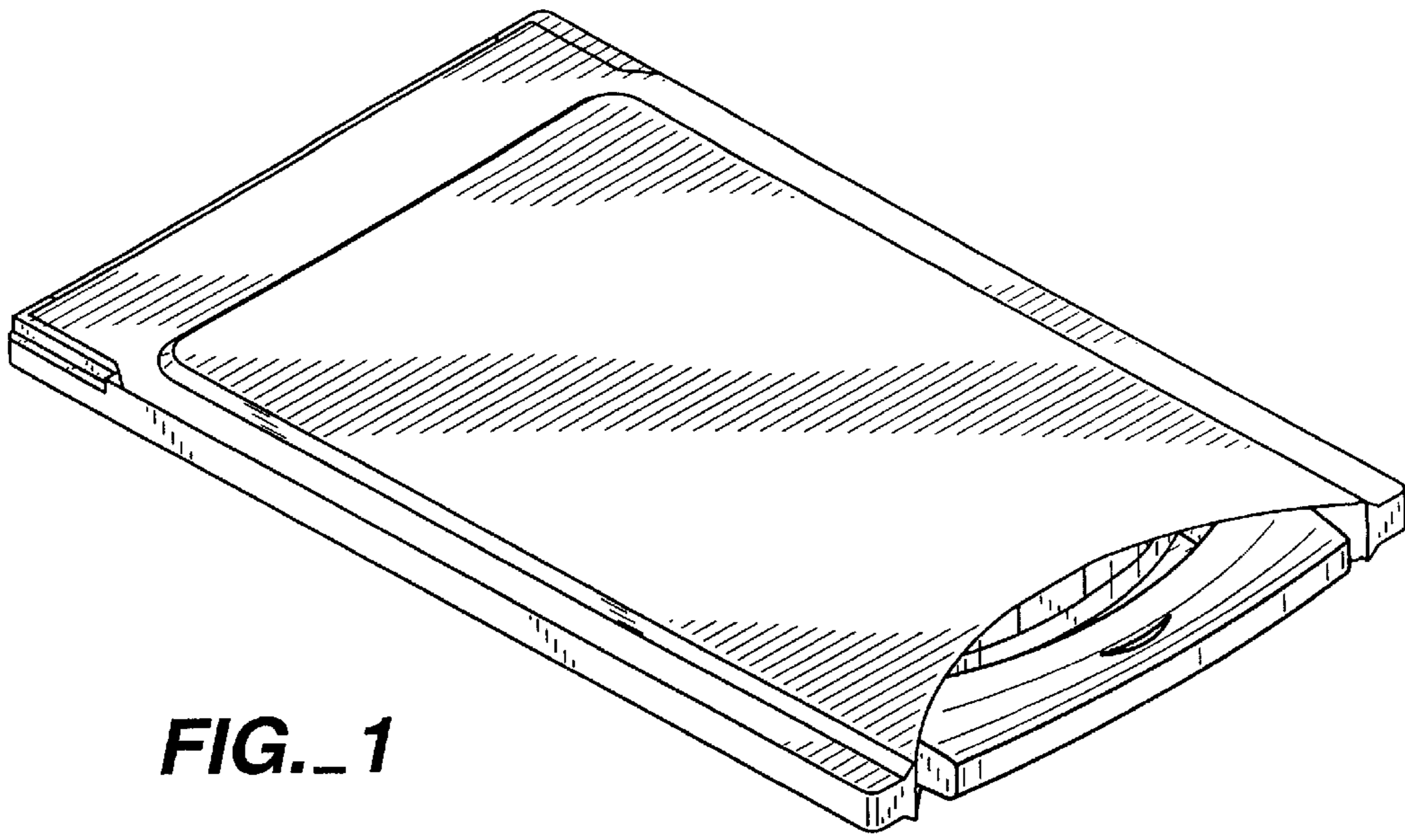
FIG. 6 is a rear elevational view thereof;

FIG. 7 is a right side elevational view thereof; and,

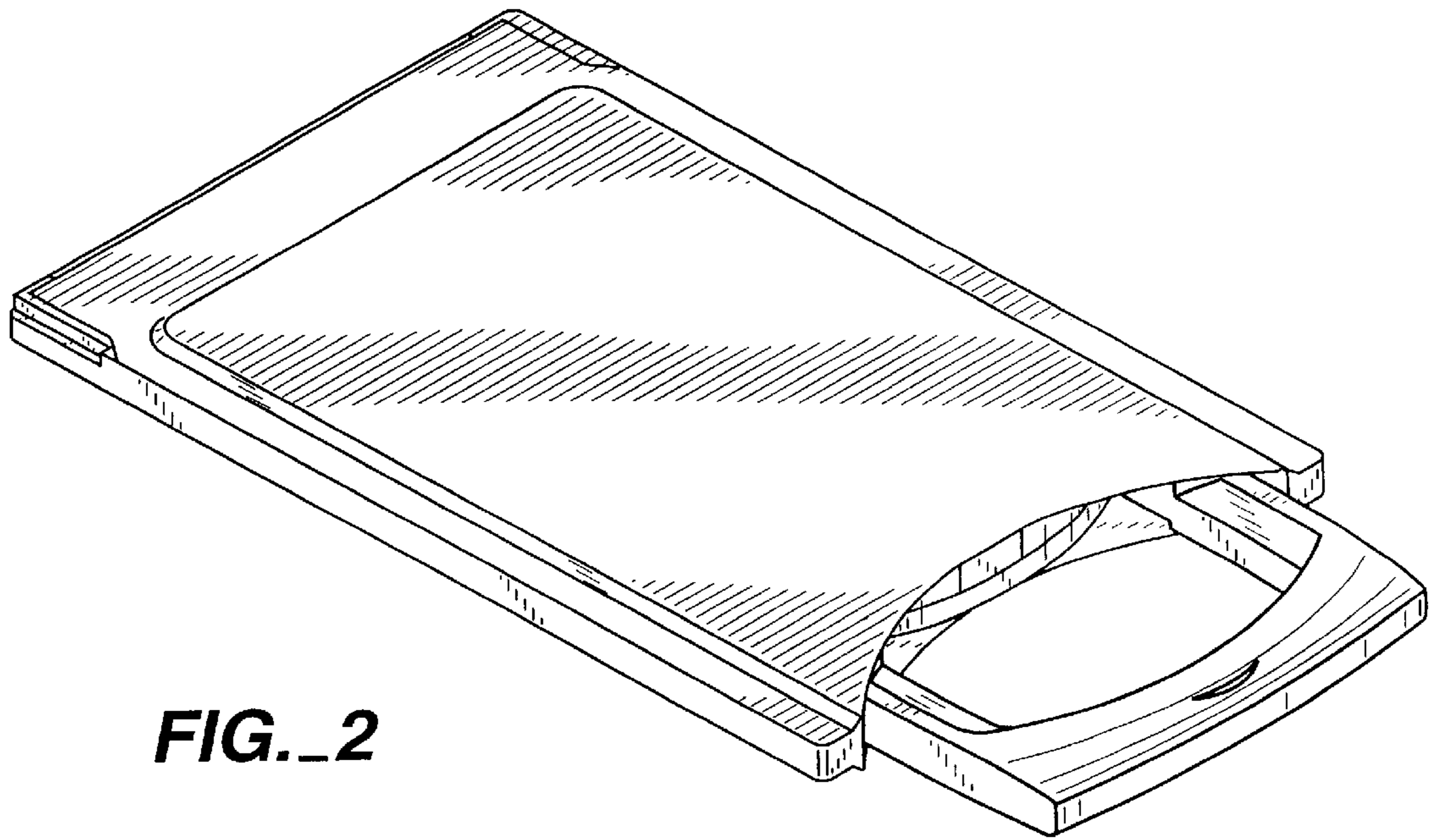
FIG. 8 is a left side elevational view thereof.

**1 Claim, 4 Drawing Sheets**

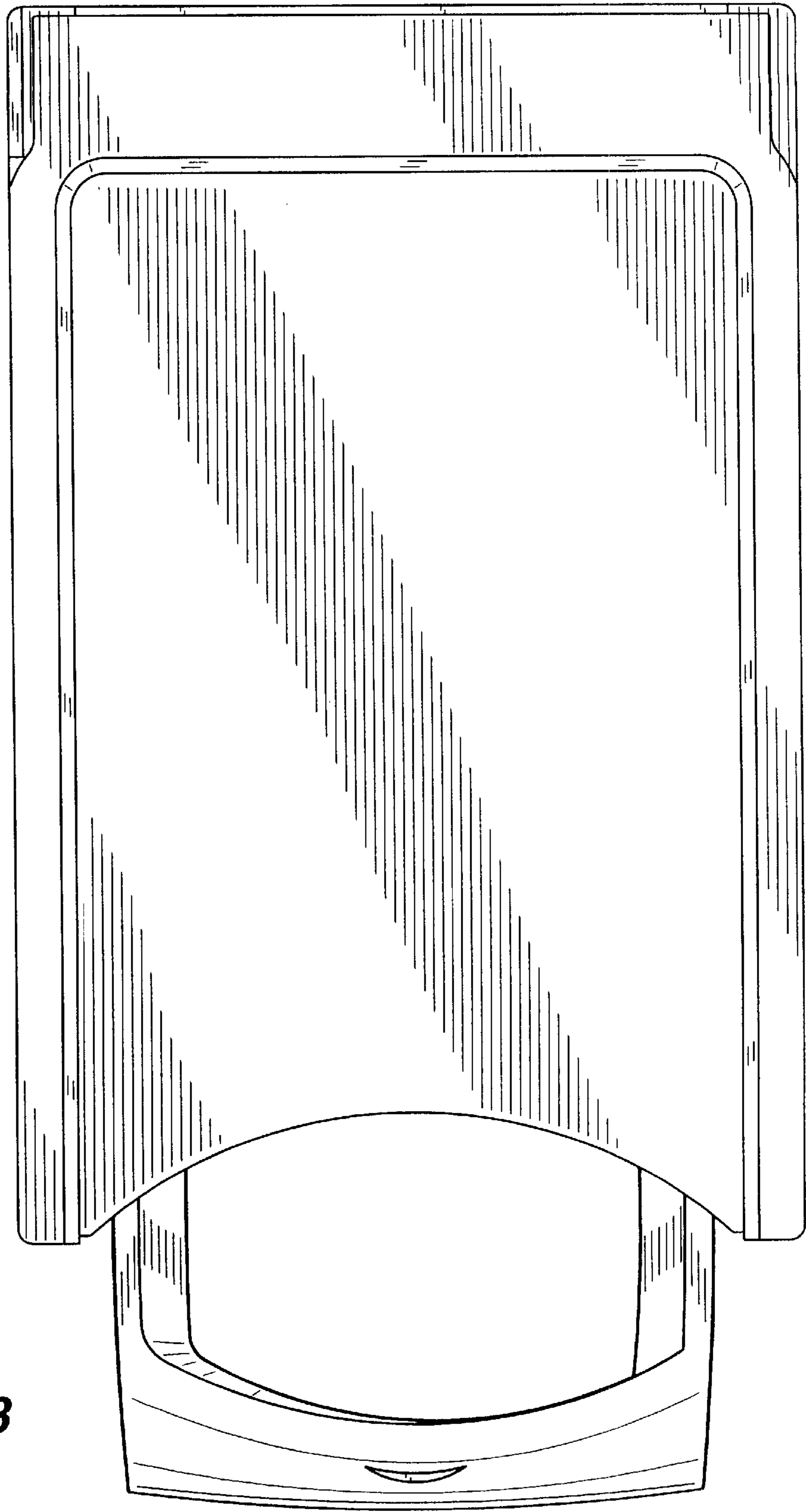




**FIG. 1**



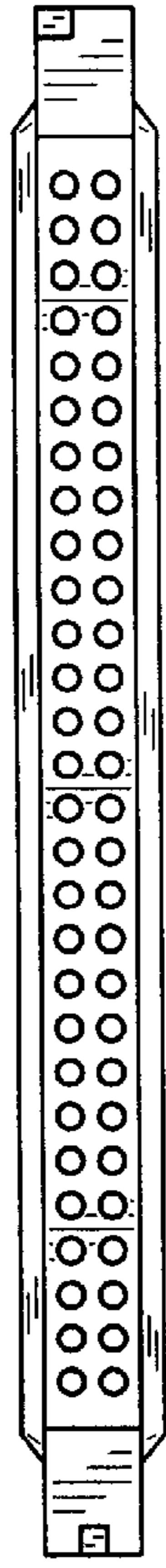
**FIG. 2**



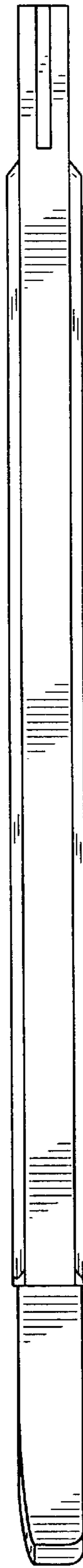
**FIG. 3**



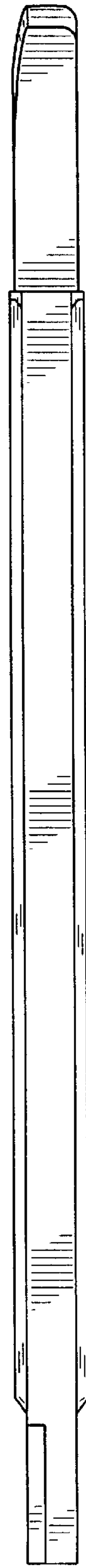
**FIG. 4**



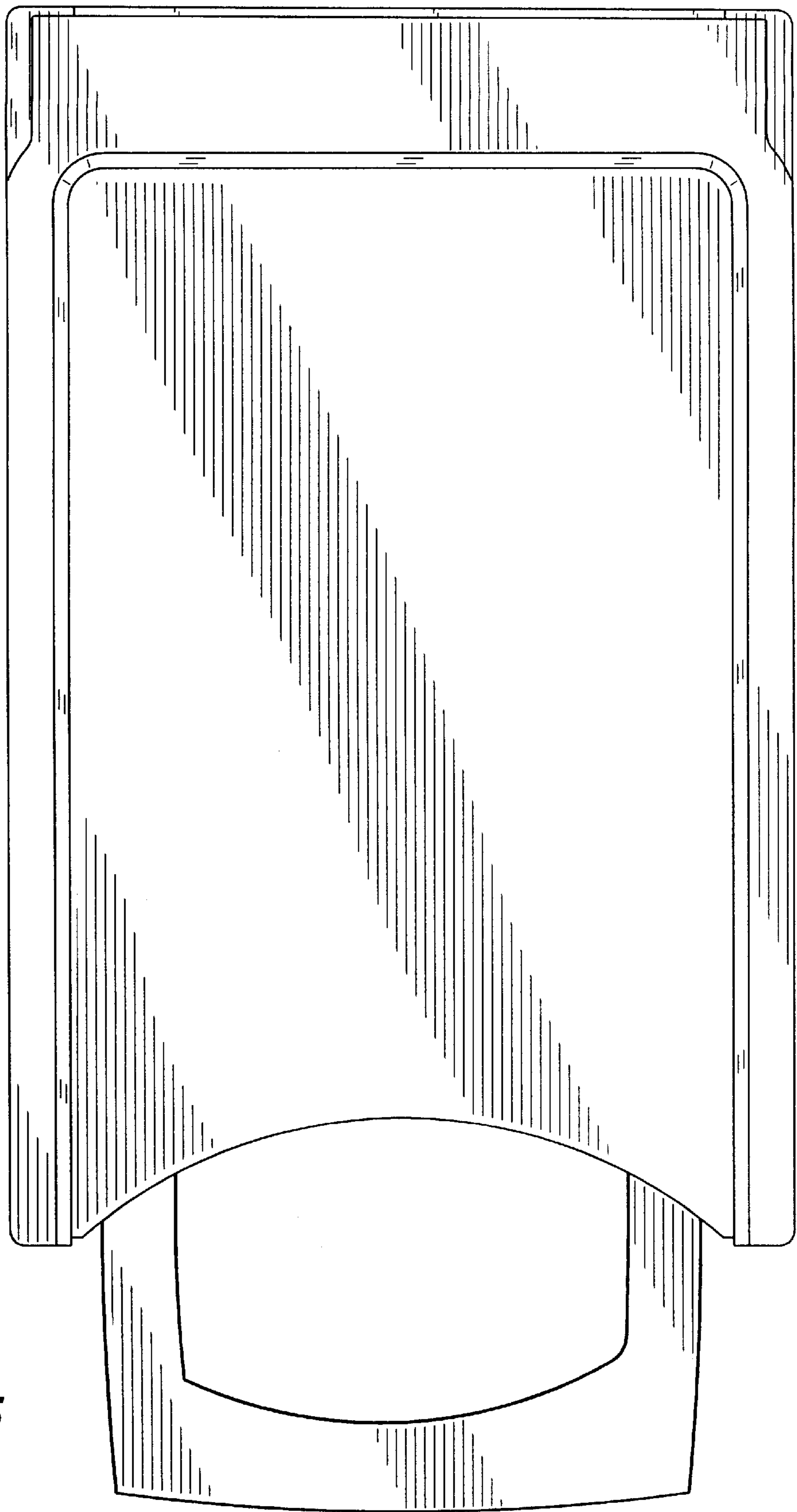
**FIG. 6**



**FIG. 7**



**FIG. 8**



**FIG. 5**