



US00D451500B1

(12) **United States Design Patent**
Taylor et al.

(10) **Patent No.:** **US D451,500 S**

(45) **Date of Patent:** **** Dec. 4, 2001**

(54) **WALL PHONE COMPONENT**

(75) Inventors: **Darrell C. Taylor**, Duluth, GA (US);
Thomas Greenwood, Bradenton, FL
(US); **Matthew D. Toth**, Lawrenceville,
GA (US)

(73) Assignee: **Elcotel, Inc.**, Sarasota, FL (US)

(**) Term: **14 Years**

(21) Appl. No.: **29/113,118**

(22) Filed: **Oct. 29, 1999**

(51) **LOC (7) Cl.** **14-03**

(52) **U.S. Cl.** **D14/240; D14/146**

(58) **Field of Search** D14/130, 140,
D14/142, 149-151, 146, 240, 329, 330;
379/433-436, 419, 420, 428, 440, 430,
453, 143-155, 368, 441, 442

(56) **References Cited**

U.S. PATENT DOCUMENTS

D. 266,927	*	11/1982	Illium, Jr. et al.	D14/146
D. 277,480	*	2/1985	Jackwicz et al.	D14/142
D. 283,890	*	5/1986	Britz et al.	D14/146
D. 290,954	*	7/1987	Read	D14/146
D. 291,566	*	8/1987	Perry et al.	D14/240
D. 304,190	*	10/1989	Rose	D14/142
D. 308,677	*	6/1990	Tamura	D14/146
D. 319,827	*	9/1991	Palomeque et al.	D14/146
D. 339,580	*	9/1993	Schmidt	D14/146
D. 342,251	*	12/1993	Hird et al.	D14/146
D. 345,973	*	4/1994	Kwon et al.	D14/146
D. 346,165	*	4/1994	Kwon et al.	D14/146
D. 351,162	*	10/1994	Kwon et al.	D14/146
D. 375,953	*	11/1996	Smith et al.	D14/146
D. 402,983	*	12/1998	Wild et al.	D14/146
D. 408,404	*	4/1999	Hall	D14/146
D. 410,004	*	5/1999	LaPorte et al.	D14/146
D. 423,474	*	4/2000	Tierney, II	D14/107

D. 429,241	*	8/2000	Collins	D14/138
D. 432,509	*	10/2000	Webb et al.	D14/138
4,672,661	*	6/1987	Clark, Jr. et al.	379/144
4,974,257	*	11/1990	Ibanez et al.	379/143
5,907,606	*	5/1999	Ingalsbe et al.	379/146
6,038,298	*	3/2000	Cheng	379/143

* cited by examiner

Primary Examiner—Jeffrey Asch

(74) *Attorney, Agent, or Firm*—Schnader Harrison Segal & Lewis LLP

(57) **CLAIM**

The ornamental design for a wall phone component, as shown and described.

DESCRIPTION

FIG. 1 is a perspective view of a wall phone component according to the invention.

FIG. 2 is a front elevational view of a wall phone component according to the invention.

FIG. 3 is a rear elevational view of a wall phone component according to the invention.

FIG. 4 is a left side elevational view of a wall phone component according to the invention.

FIG. 5 is a right side elevational view of a wall phone component according to the invention.

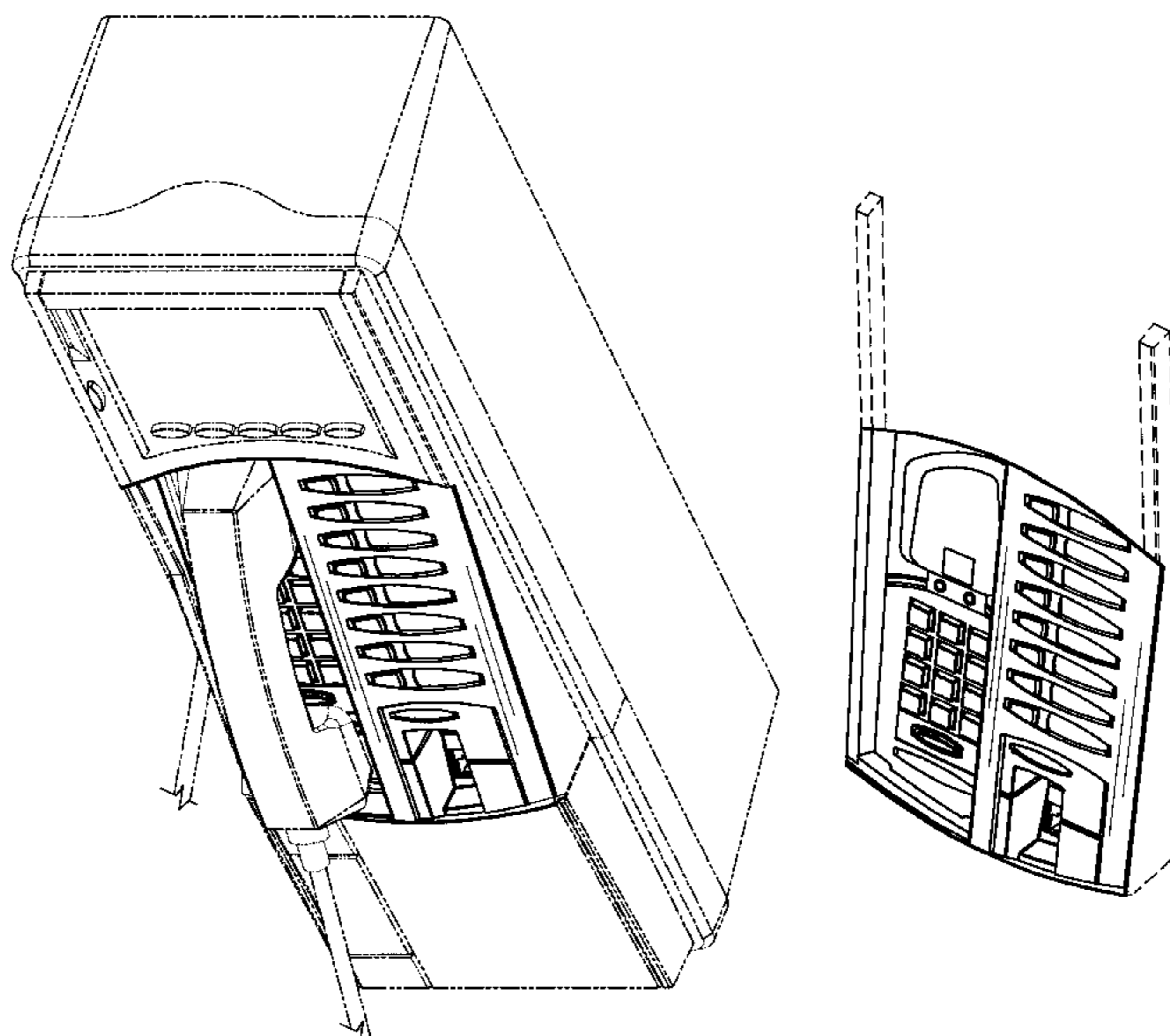
FIG. 6 is a top plan view of a wall phone component according to the invention.

FIG. 7 is a bottom plan view of a wall phone component according to the invention; and,

FIG. 8 is a perspective view of a wall phone component according to the invention, the large majority of the environmental and contextual dotted lines removed.

The broken, non-solid lines are for illustrative and contextual purposes only, and form no part of the claimed invention. The heavy solid lines establish the claim subject matter which is most readily seen in FIG. 8.

1 Claim, 8 Drawing Sheets



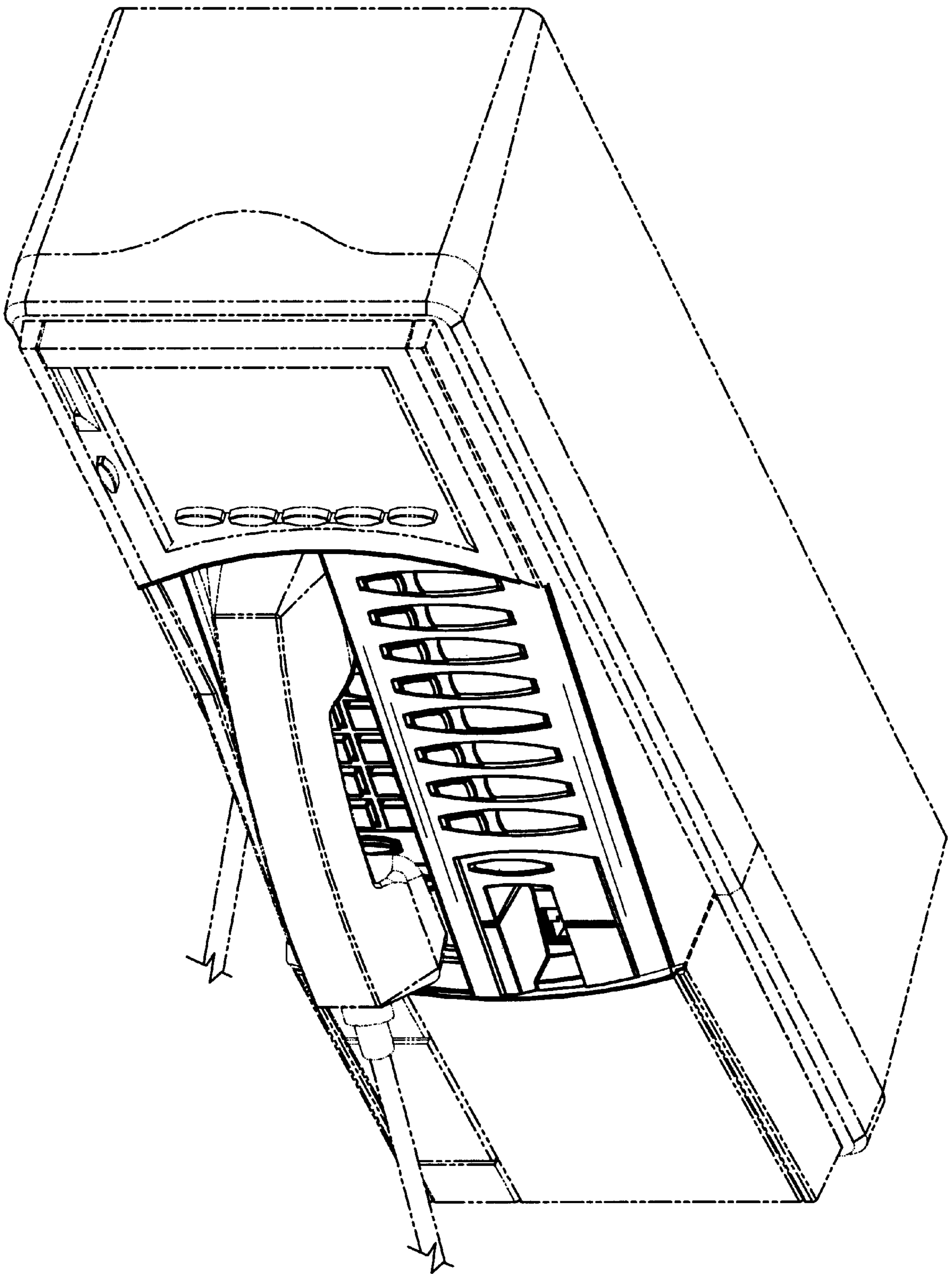


Fig. 1

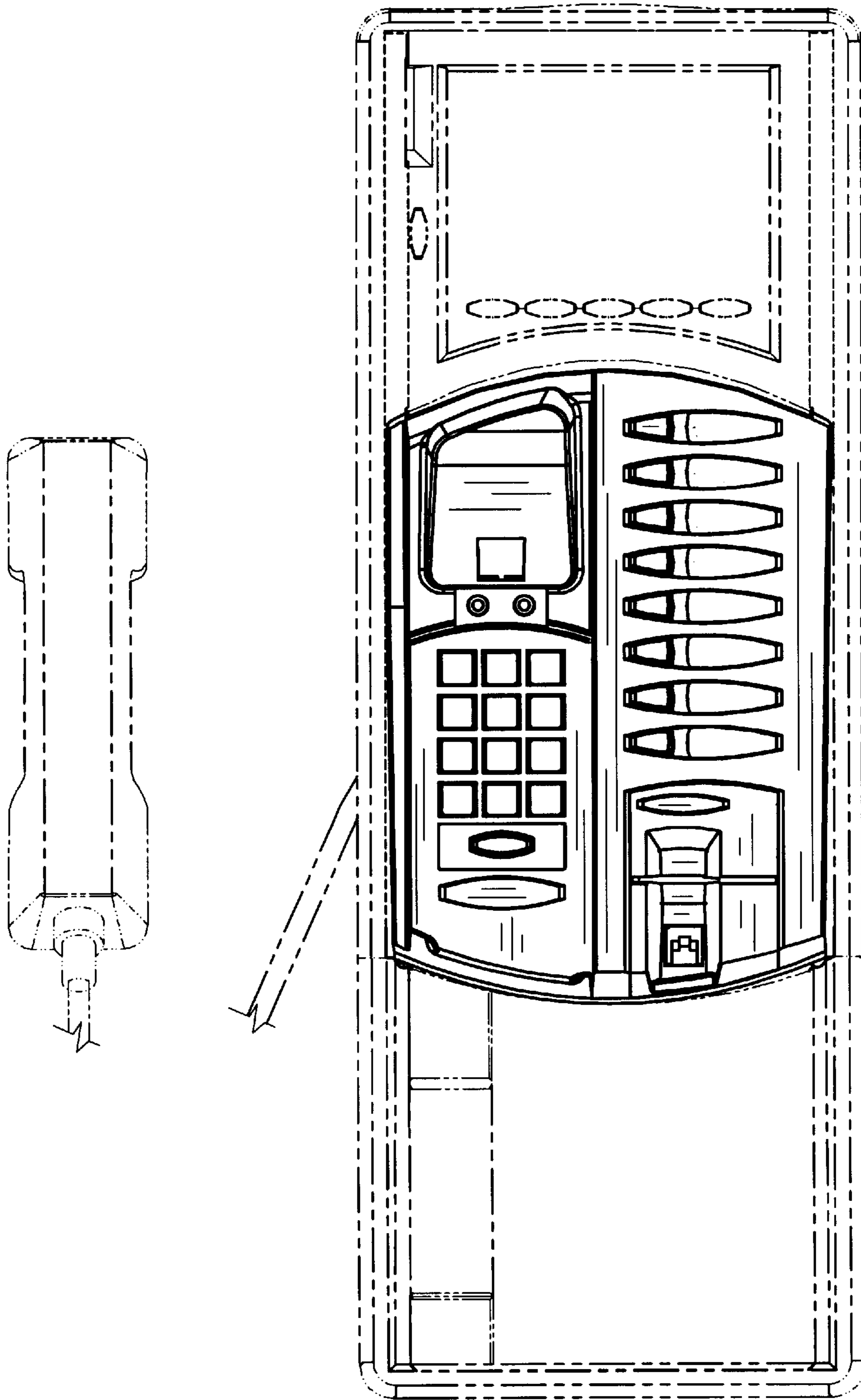


Fig. 2

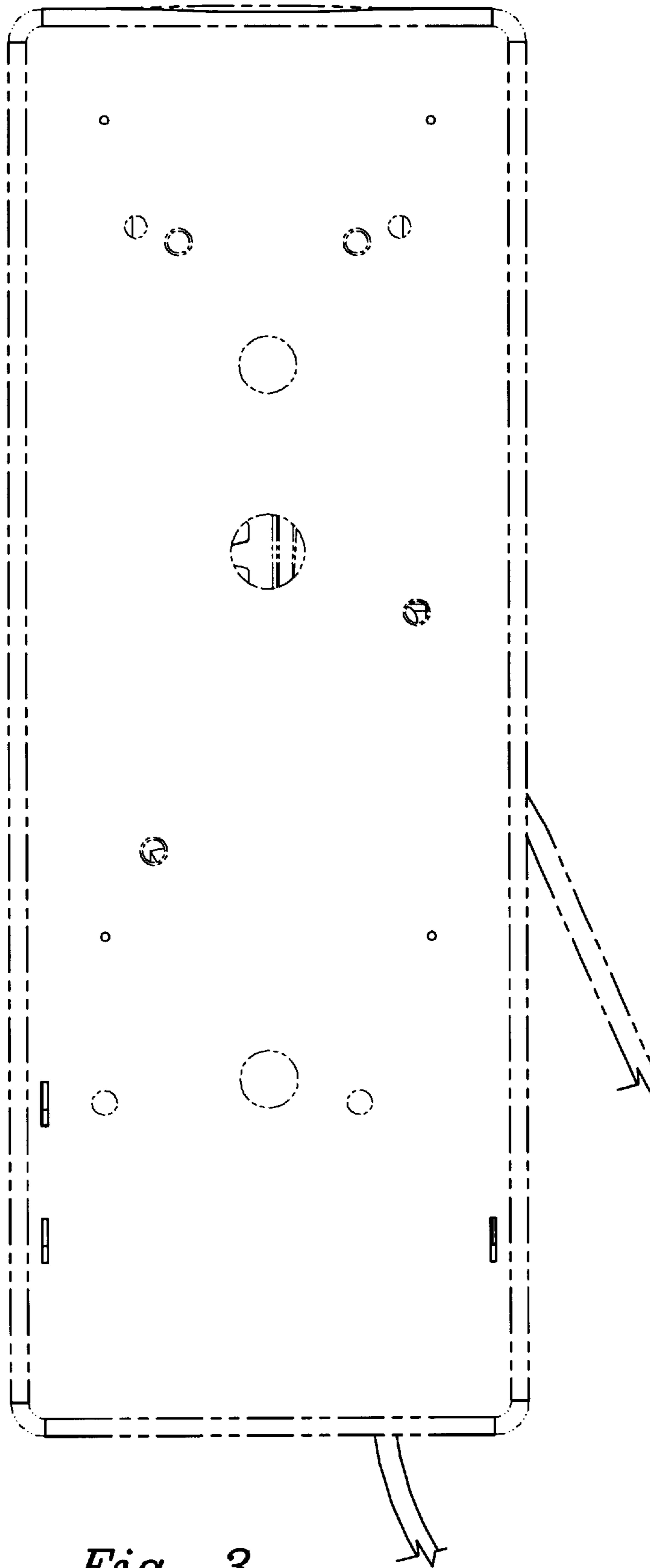


Fig. 3

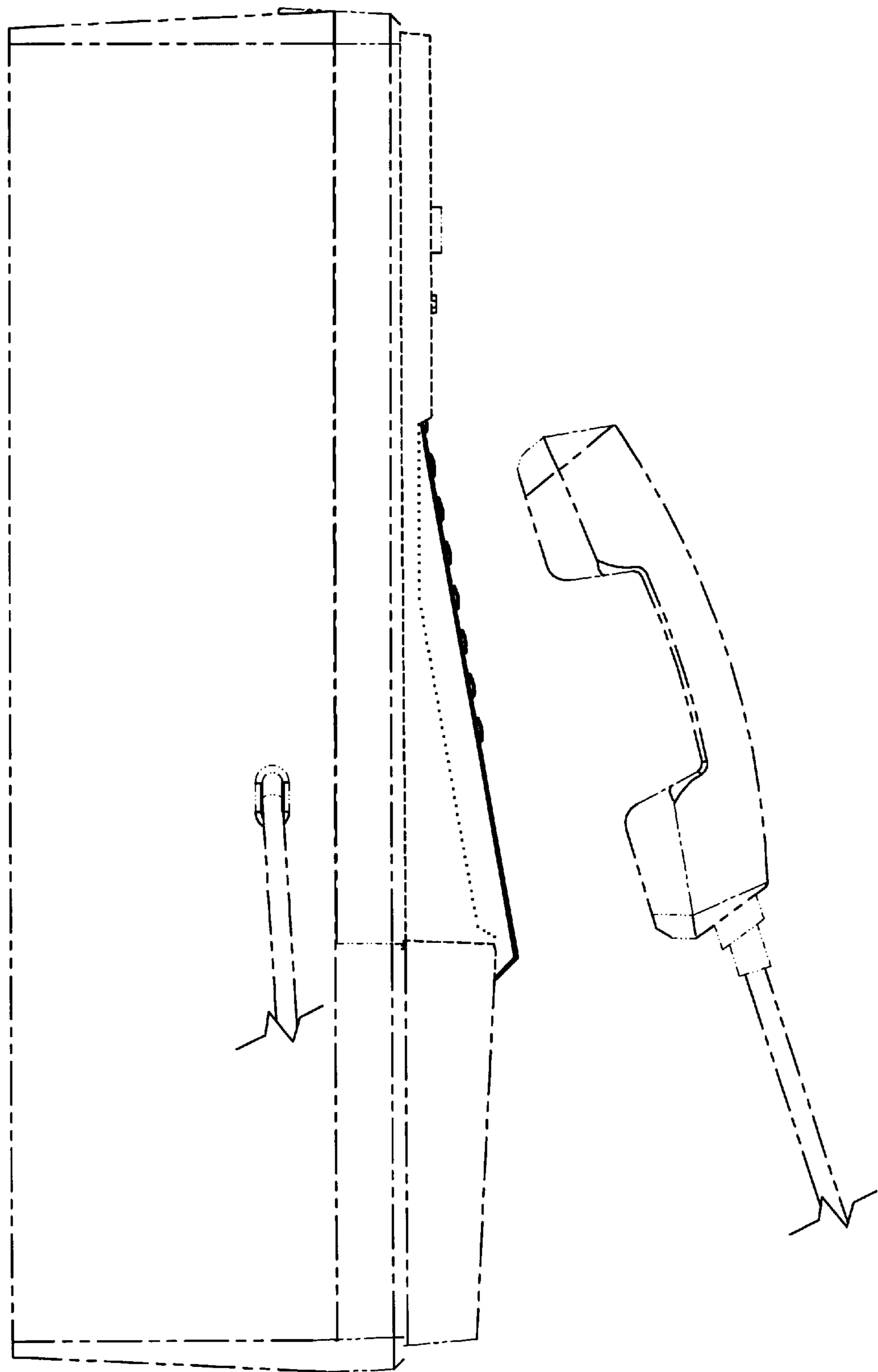


Fig. 4

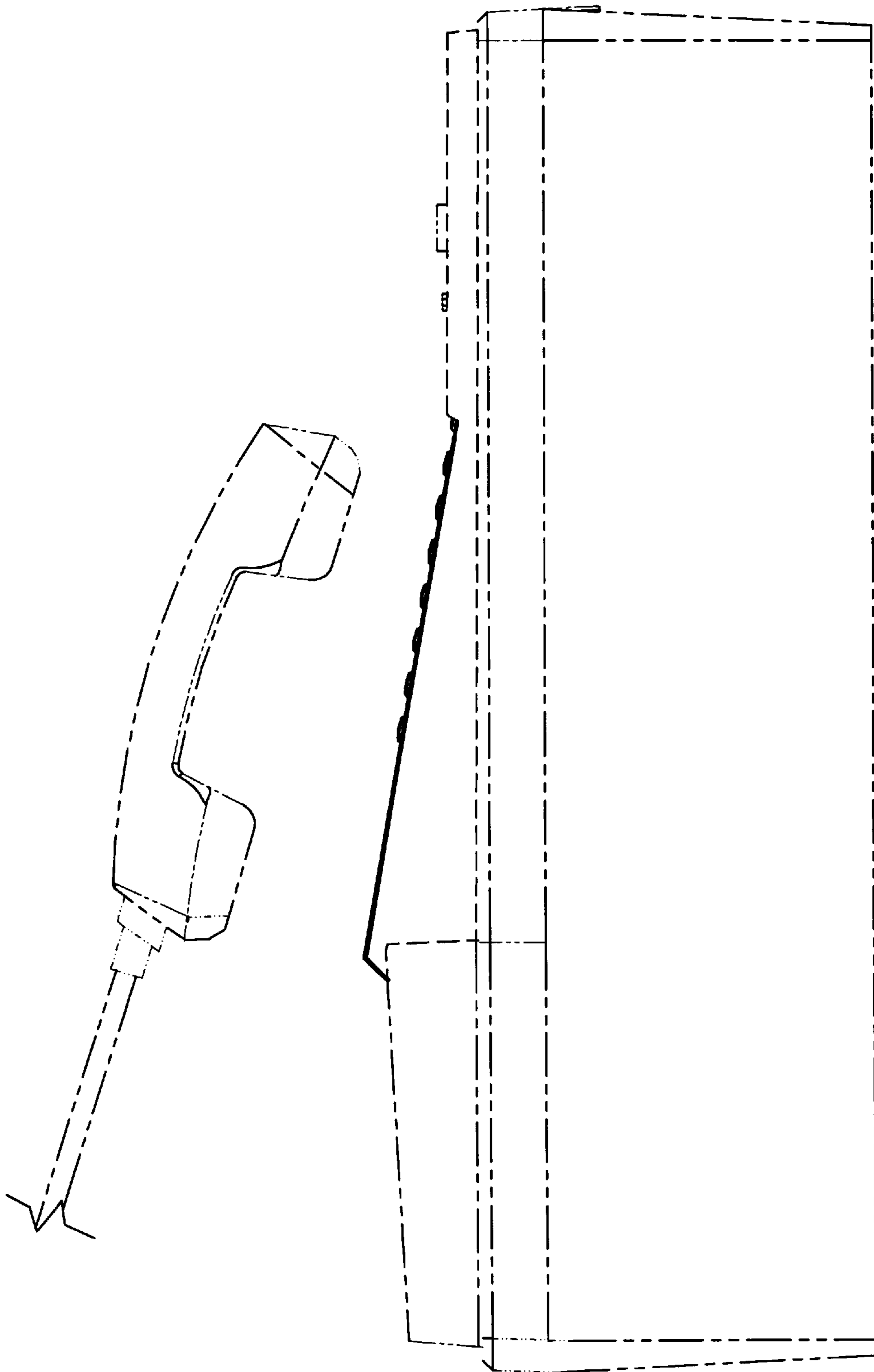


Fig. 5

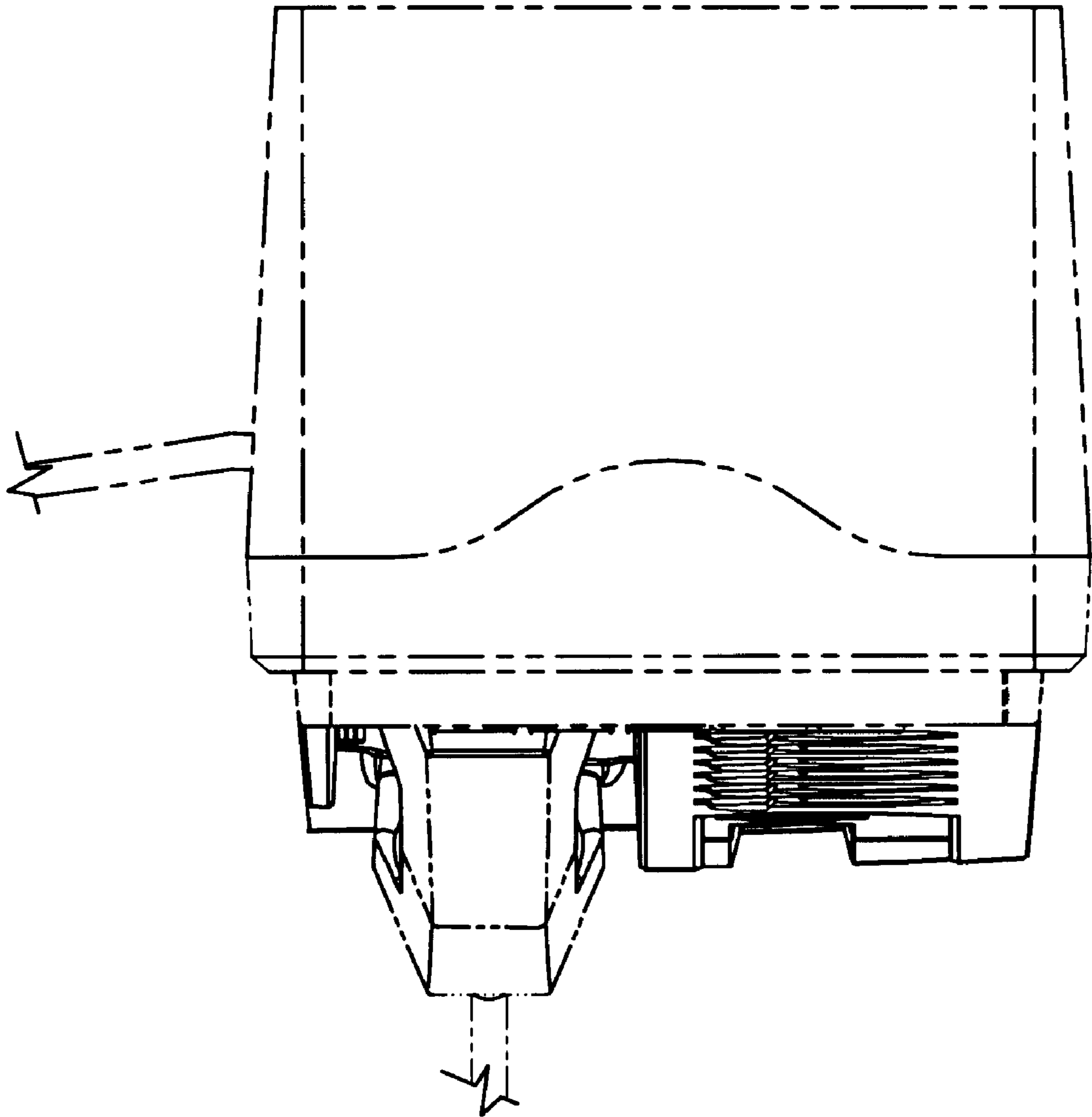


Fig. 6

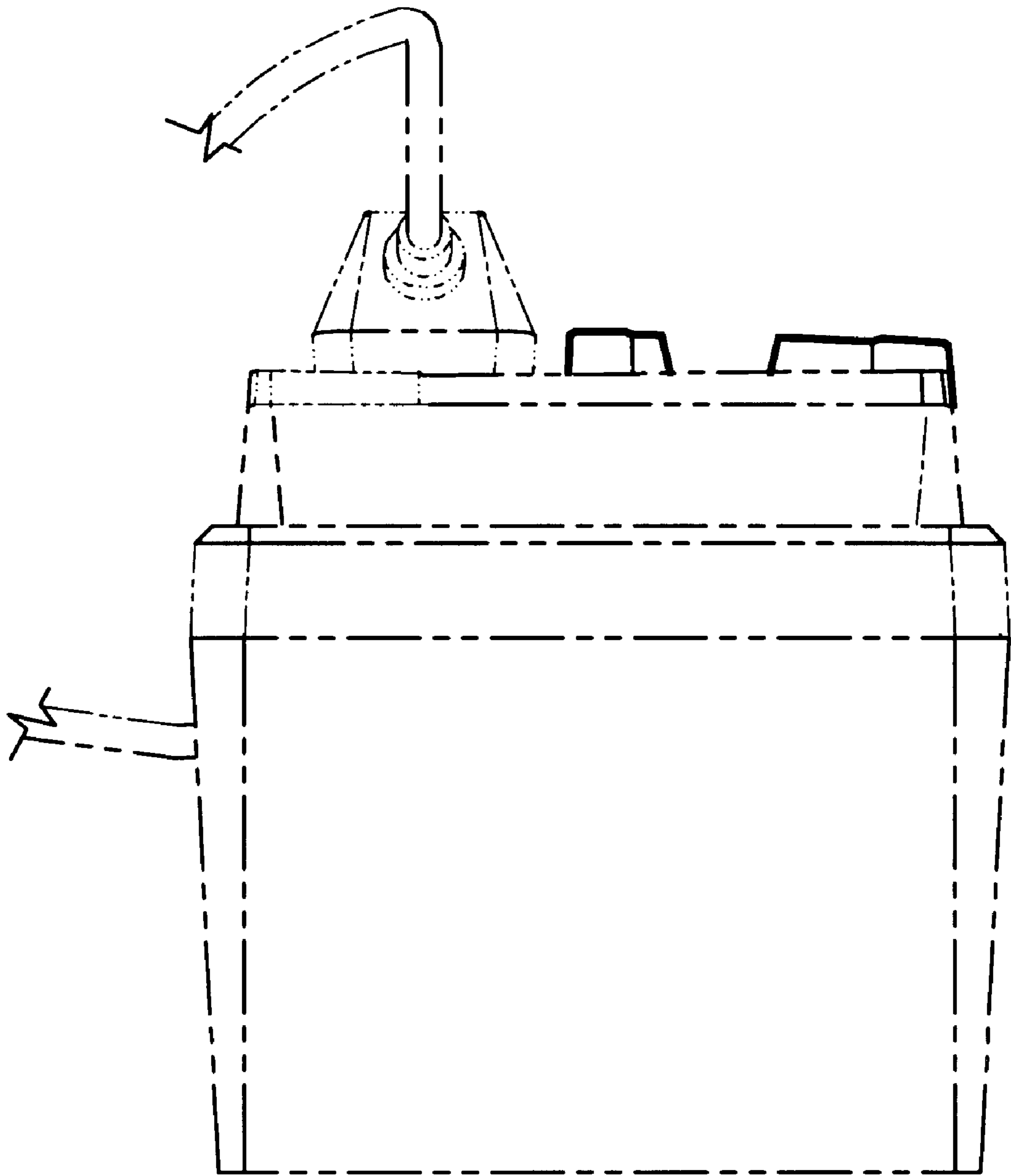


Fig. 7

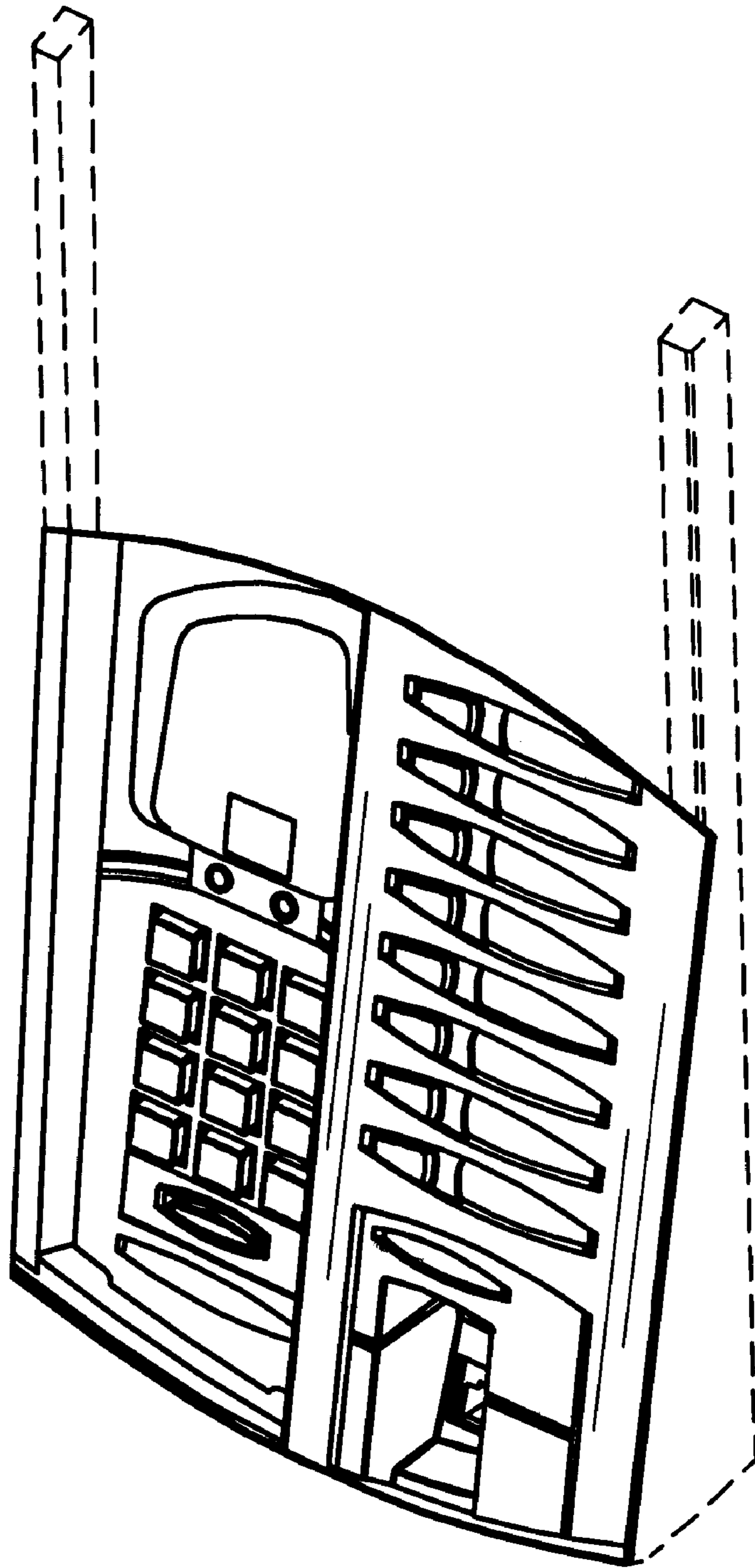


Fig. 8