



US00D451499B1

(12) **United States Design Patent**  
**Stompler et al.**

(10) **Patent No.:** **US D451,499 S**

(45) **Date of Patent:** **\*\* Dec. 4, 2001**

(54) **SPEAKER DRIVER FRAME**

(75) Inventors: **Thilo Christian Stompler**, LaJolla;  
**Cory Allen Jackson**, Fallbrook, both of  
CA (US)

(73) Assignee: **TC Sounds Inc.**, San Diego, CA (US)

(\*\*) Term: **14 Years**

(21) Appl. No.: **29/130,440**

(22) Filed: **Oct. 3, 2000**

(51) **LOC (7) Cl.** ..... **14-01**

(52) **U.S. Cl.** ..... **D14/224**

(58) **Field of Search** ..... D14/204, 207,  
D14/215, 216, 221, 222, 224; 181/144-145,  
147-148, 150-155, 157, 199; 381/300-302,  
332-336, 386, 430-433

(56) **References Cited**

**U.S. PATENT DOCUMENTS**

D. 191,403 \* 9/1961 Perry ..... D14/224

D. 282,065 \* 1/1986 Piercy ..... D14/224

D. 318,671 \* 7/1991 Naumann ..... D14/221 X

5,073,948 \* 12/1991 Vandersteen ..... 381/433

\* cited by examiner

*Primary Examiner*—Nanda Bondade

(74) *Attorney, Agent, or Firm*—Michael W. Landry

(57) **CLAIM**

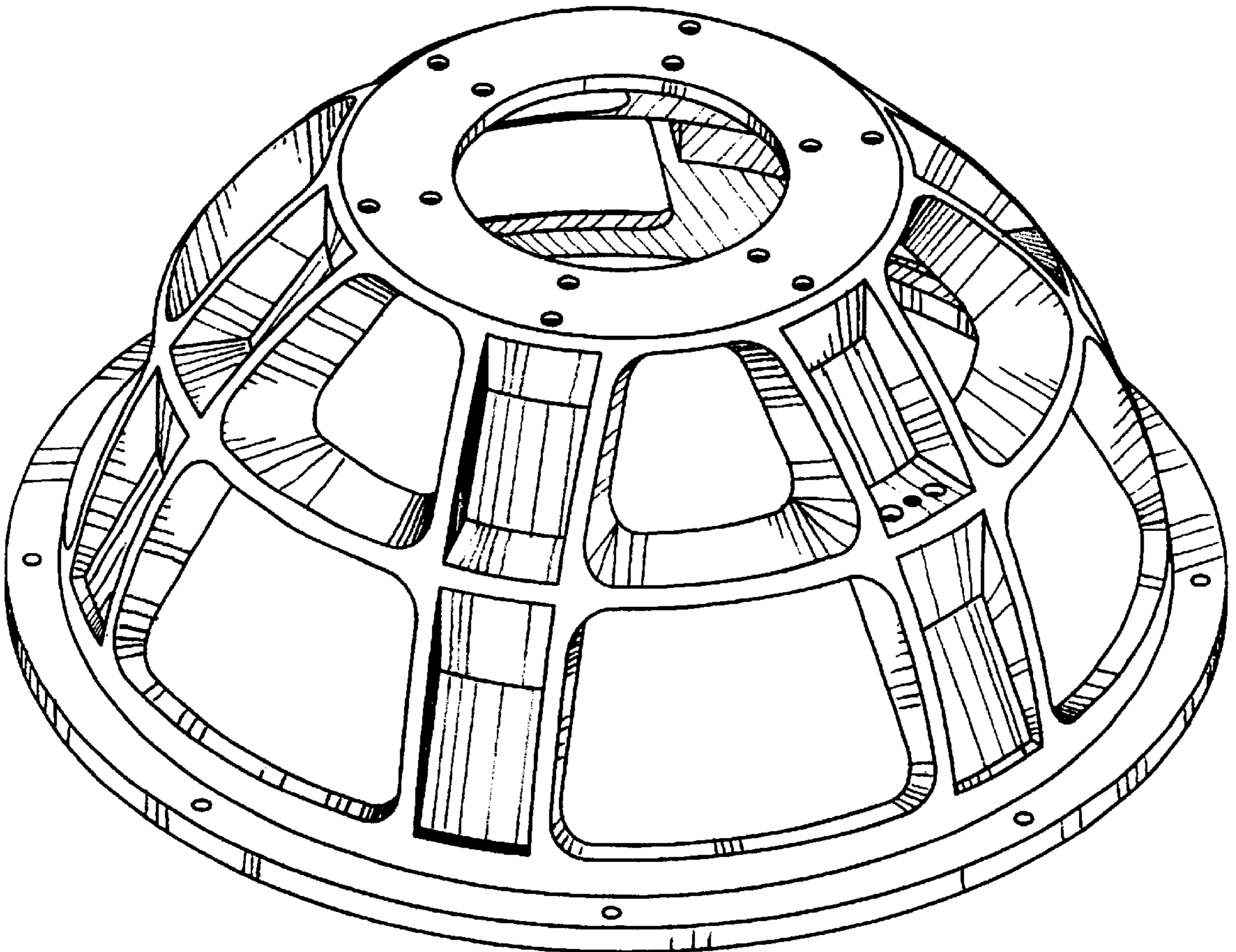
The ornamental design for a speaker driver frame, as shown and described.

**DESCRIPTION**

FIG. 1. is a top perspective view of a speaker driver frame design; and,

FIG. 2. is a bottom perspective view thereof.

**1 Claim, 2 Drawing Sheets**



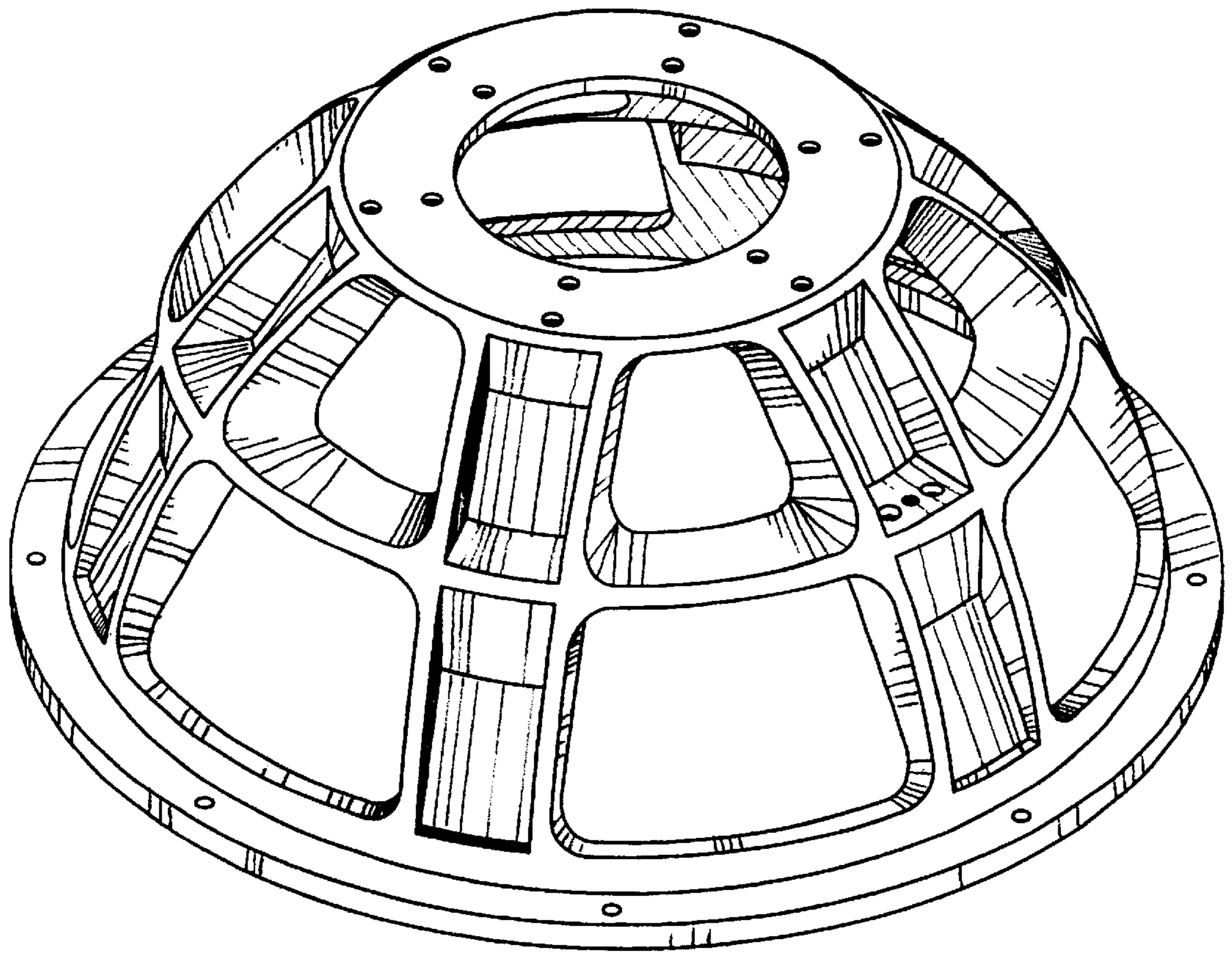


Fig. 1

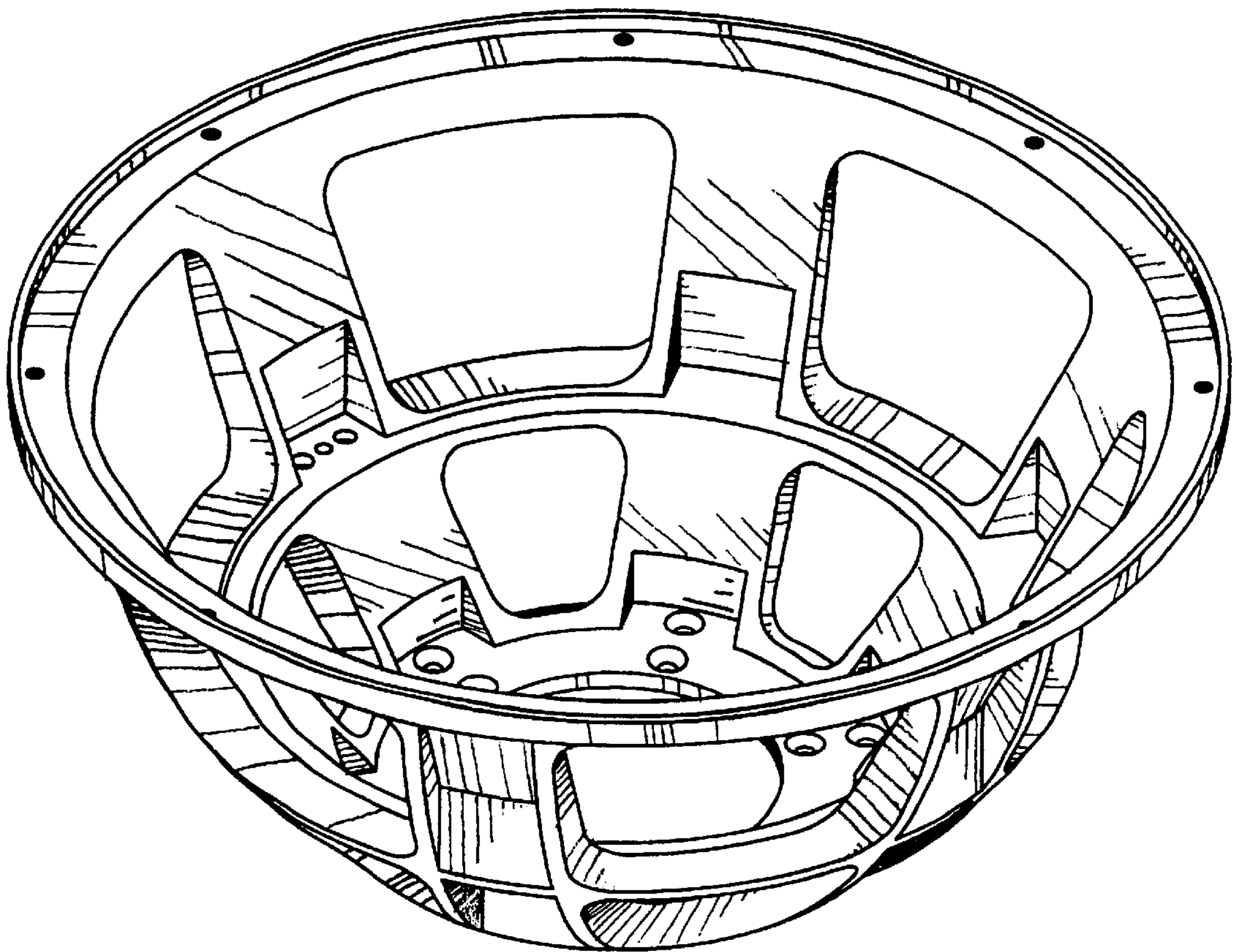


Fig. 2