



US00D451498B1

(12) **United States Design Patent**
Rossel

(10) **Patent No.:** **US D451,498 S**

(45) **Date of Patent:** **** Dec. 4, 2001**

(54) **REMOTE CONTROLLER AND BASE UNIT**

(76) Inventor: **Mark Rossel**, 4617 Vista St., Long Beach, CA (US) 90803

(**) Term: **14 Years**

(21) Appl. No.: **29/139,984**

(22) Filed: **Apr. 10, 2001**

(51) **LOC (7) Cl.** **14-03**

(52) **U.S. Cl.** **D14/218**

(58) **Field of Search** D14/217, 218,
D14/192, 165, 163; D13/168; 348/734;
455/151.1, 151.2, 151.3, 151.4, 152.1, 352-355;
200/331; D10/104, 106

(56) **References Cited**

U.S. PATENT DOCUMENTS

D. 369,606	*	5/1996	Marks	D14/218
D. 380,752	*	7/1997	Hanson	D14/218
D. 392,619	*	3/1998	Ericksen	D13/168
D. 397,996	*	9/1998	Smith	D13/168
D. 401,523	*	11/1998	Baker	D10/106

* cited by examiner

Primary Examiner—Louis S. Zarfes

Assistant Examiner—Gregory Andoll

(74) *Attorney, Agent, or Firm*—Knobbe, Martens, Olson & Bear, LLP

(57) **CLAIM**

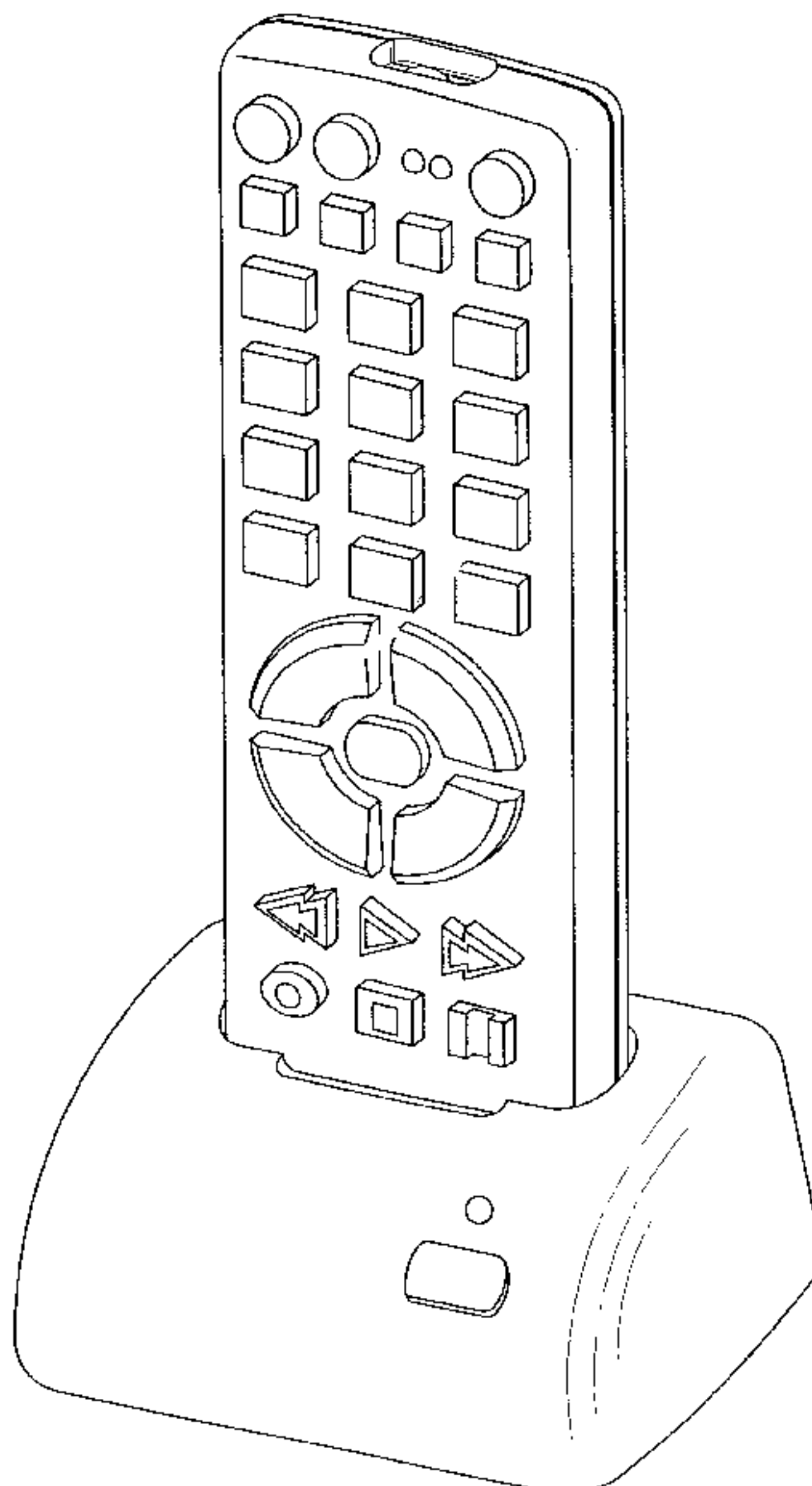
The ornamental design for a remote controller and base unit, as shown and described.

DESCRIPTION

FIG. 1 is a perspective view of the remote controller and base unit, showing my new design:

FIG. 2 is a front elevational view of the remote controller and base unit shown in FIG. 1;
 FIG. 3 is a rear elevational view of the remote controller and base unit of FIG. 1;
 FIG. 4 is a right side elevational view of the remote controller and base unit of FIG. 1;
 FIG. 5 is a left side elevational view of the remote controller and base unit of FIG. 1;
 FIG. 6 is a top plan view of the remote controller and base unit of FIG. 1;
 FIG. 7 is a bottom plan view of the remote controller and base unit of FIG. 1;
 FIG. 8 is a perspective view of the base unit when the remote controller is removed;
 FIG. 9 is a front elevational view of the base unit of FIG. 8;
 FIG. 10 is a rear elevational view of the base unit of FIG. 8;
 FIG. 11 is a left side elevational view of the base unit of FIG. 8;
 FIG. 12 is a right side elevational view of the base unit of FIG. 8;
 FIG. 13 is a top plan view of the base unit of FIG. 8;
 FIG. 14 is a bottom plan view of the base unit of FIG. 8;
 FIG. 15 is a perspective view of the remote controller when it is removed from the base unit;
 FIG. 16 is a front side elevational view of the remote controller of FIG. 15;
 FIG. 17 is a rear elevational view of the remote controller of FIG. 15;
 FIG. 18 is a right side elevational view of the remote controller of FIG. 15;
 FIG. 19 is a left side elevational view of the remote controller of FIG. 15;
 FIG. 20 is a top plan view of the remote controller of FIG. 15; and,
 FIG. 21 is bottom plan view of the remote controller of FIG. 15.

1 Claim, 14 Drawing Sheets



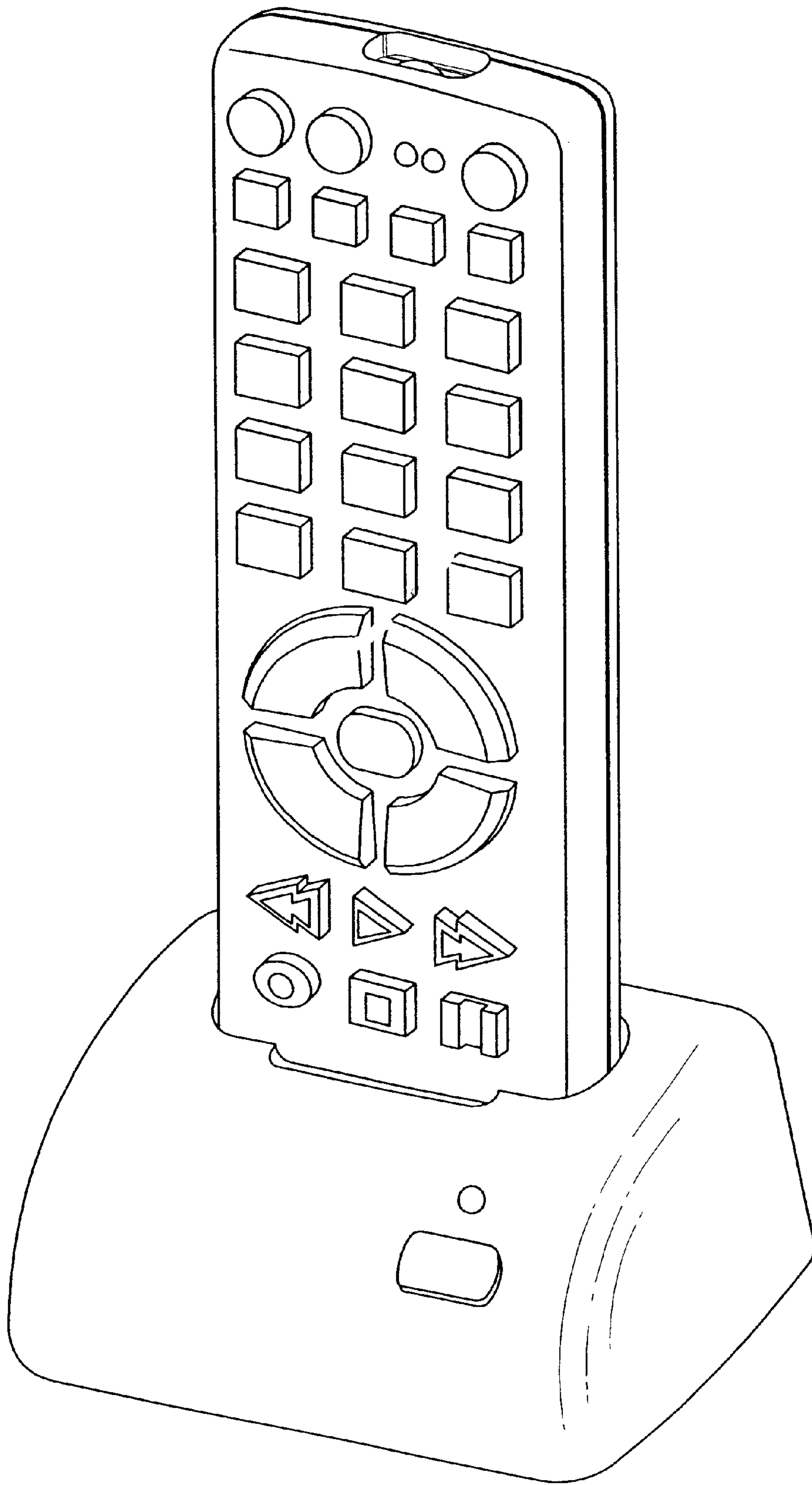


Fig. 1

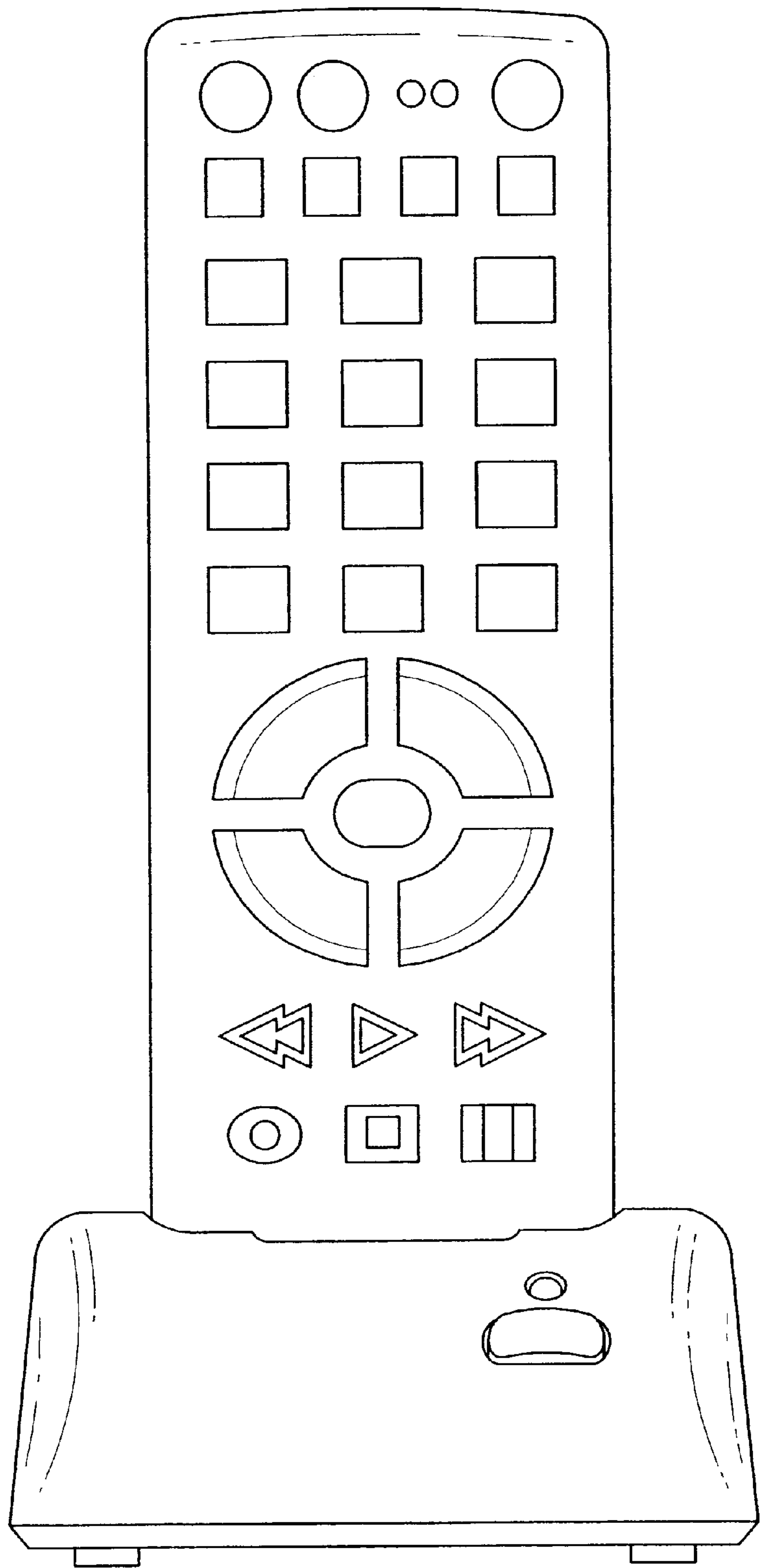


Fig. 2

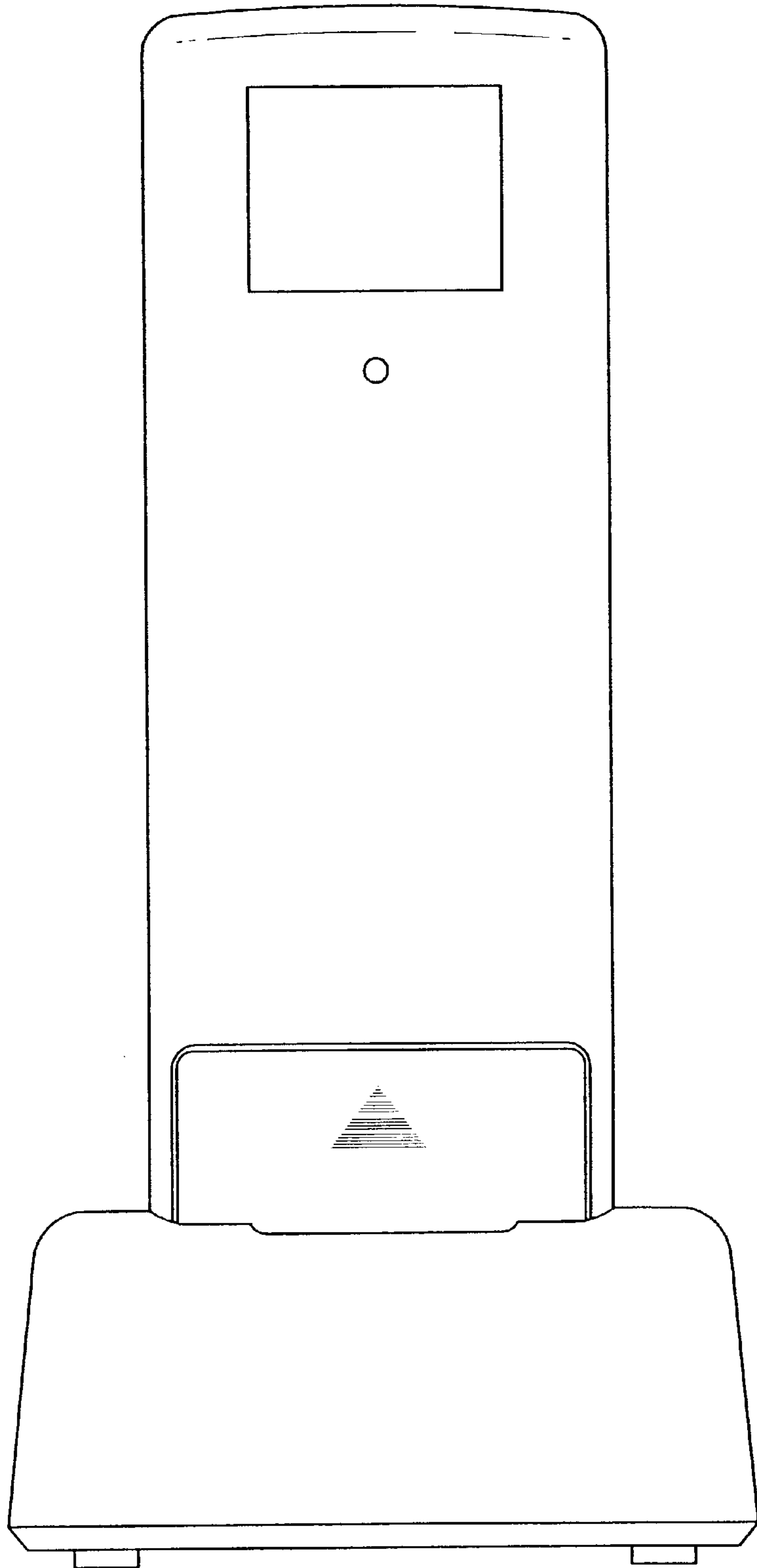


Fig. 3

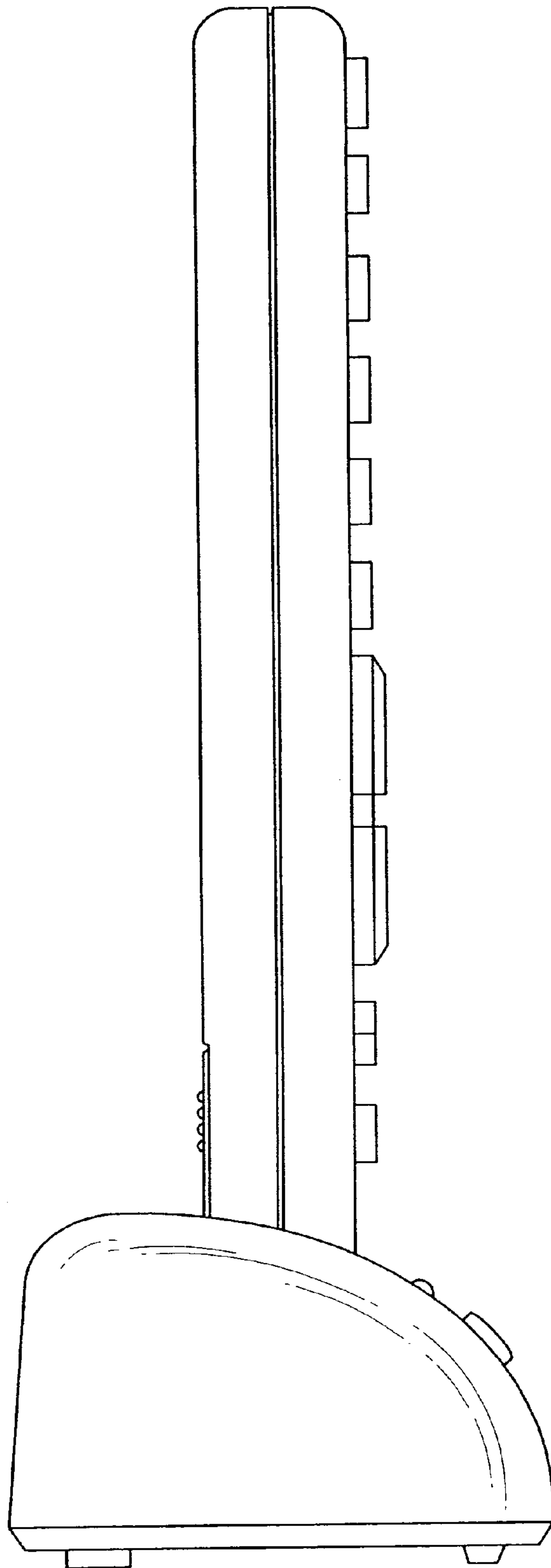


Fig. 4

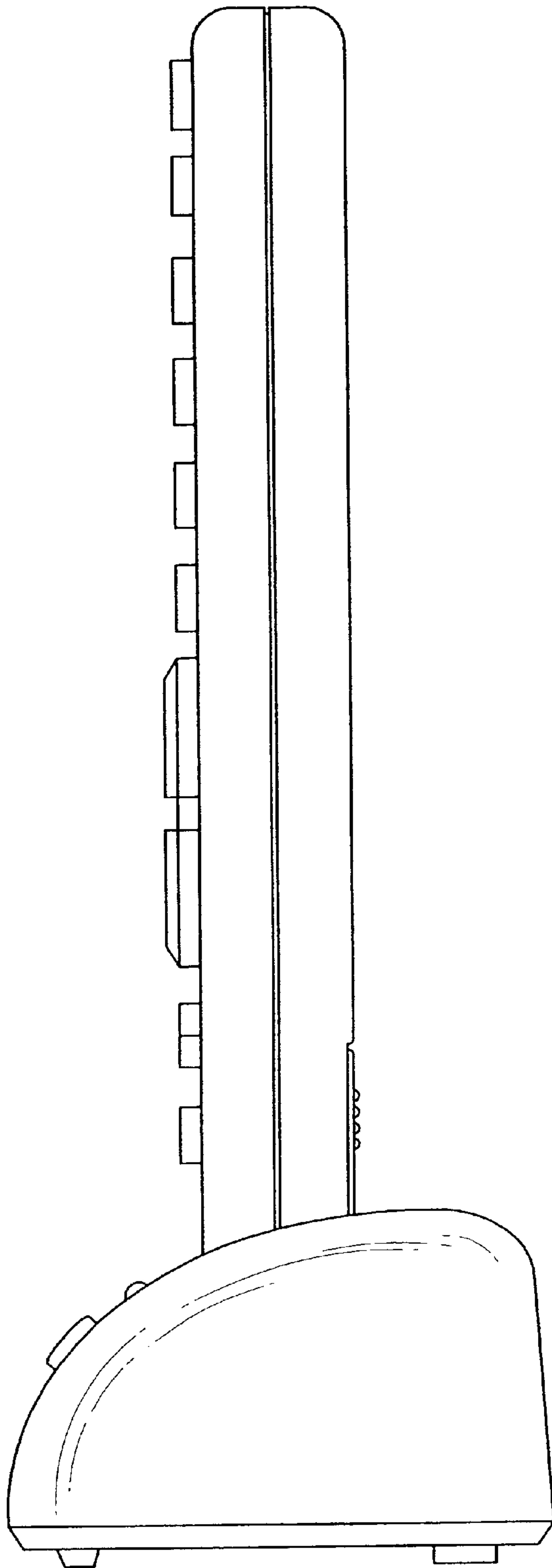


Fig. 5

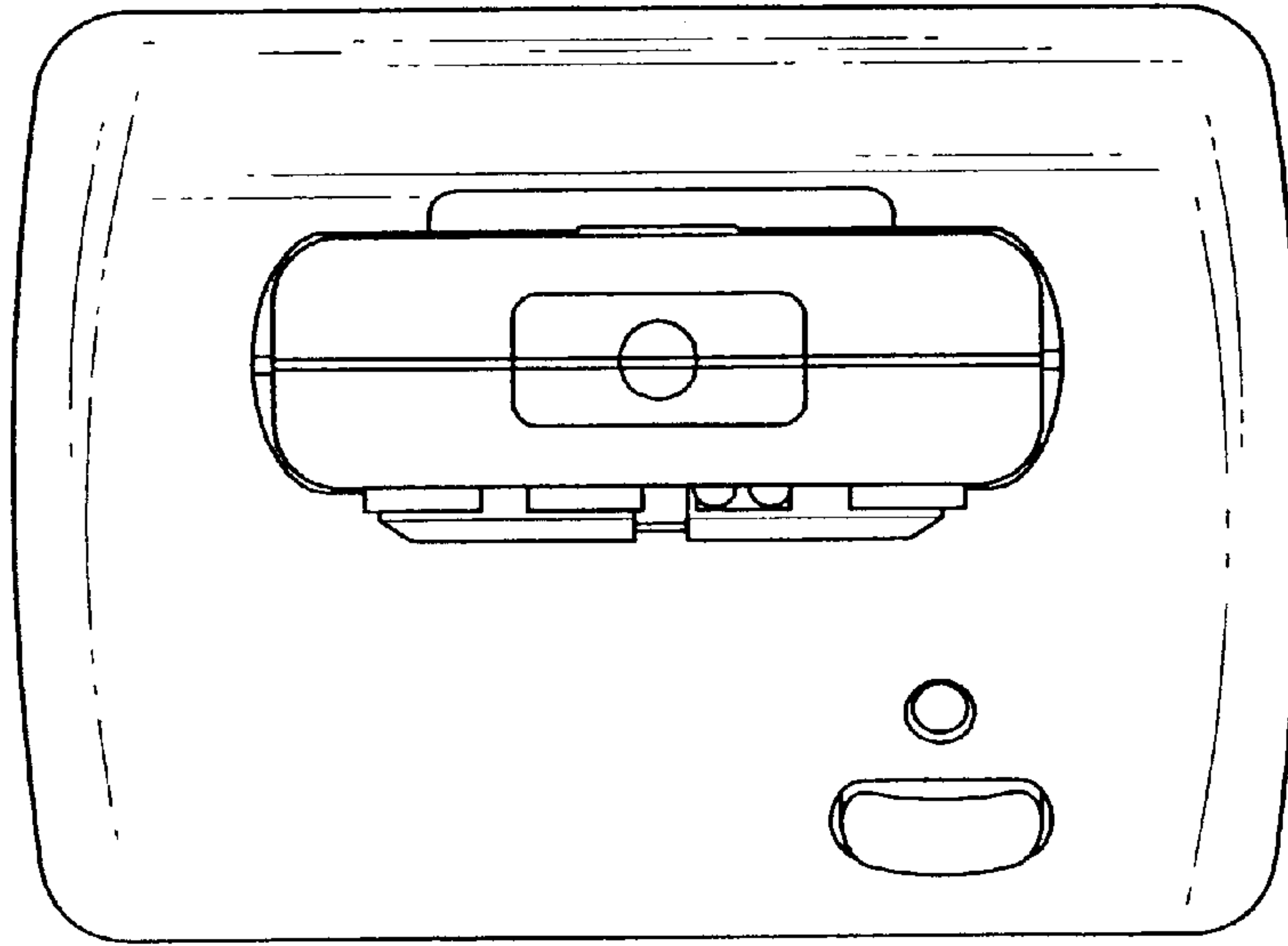


Fig. 6

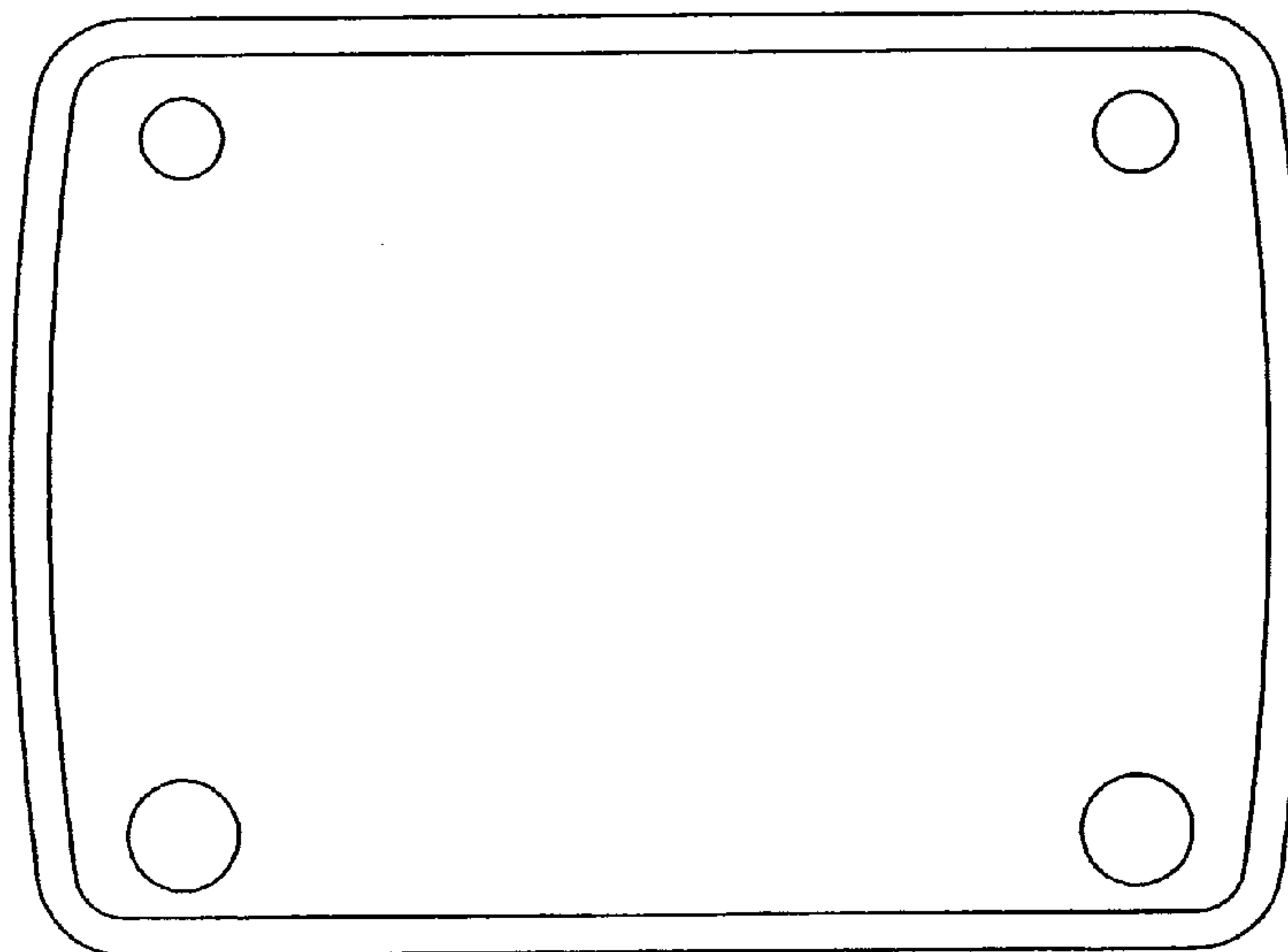


Fig. 7

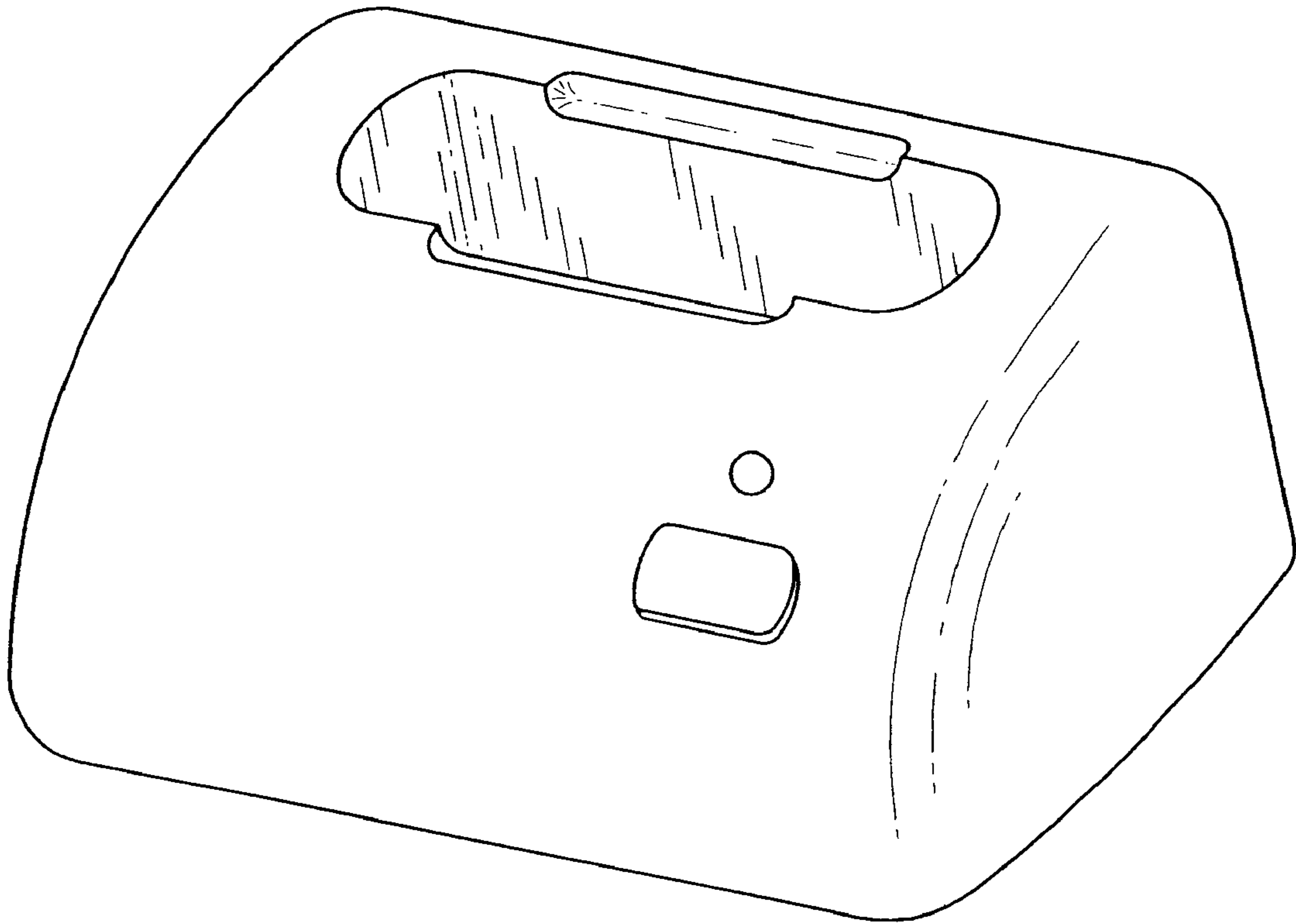


Fig. 8

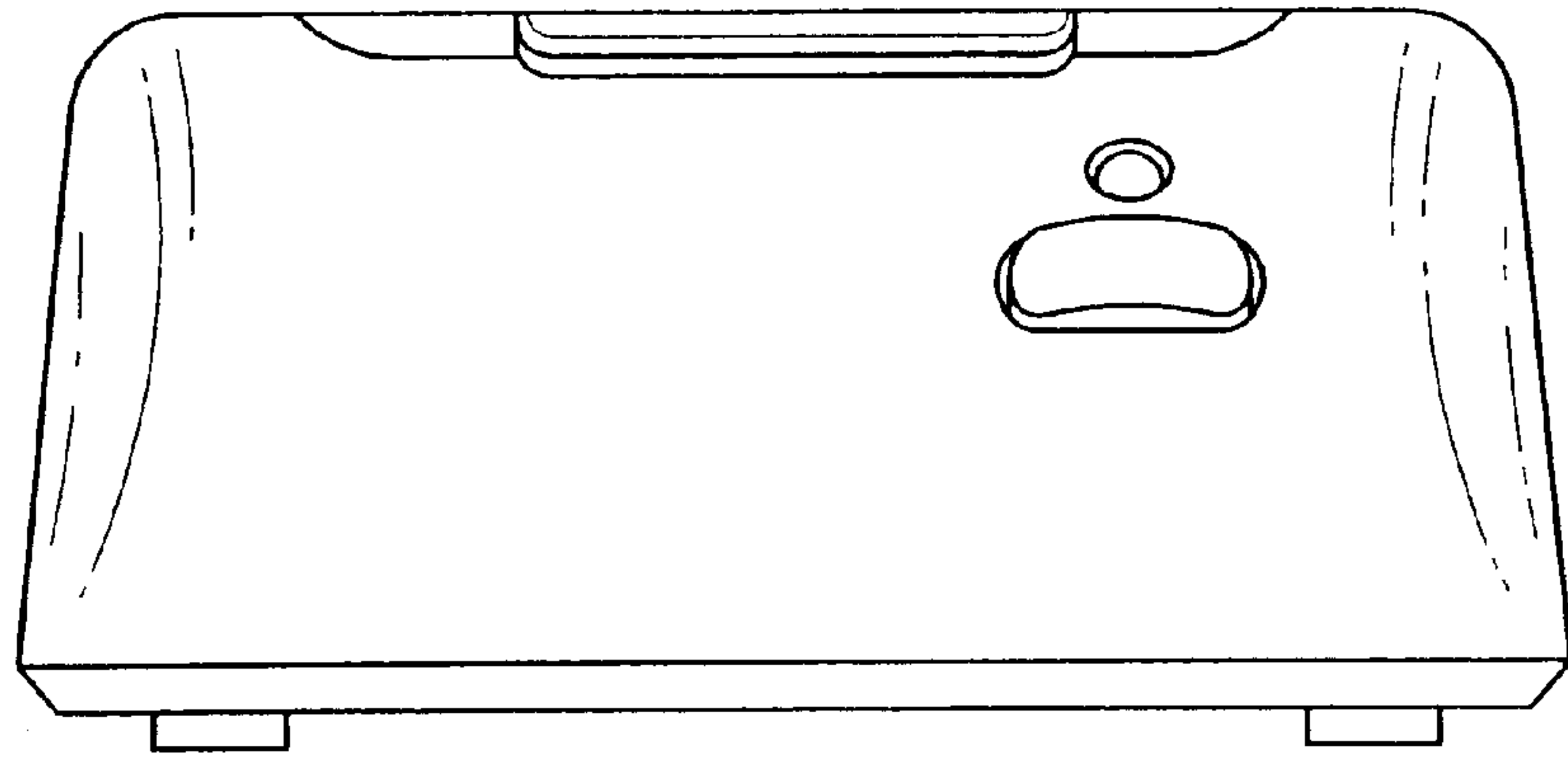


Fig. 9

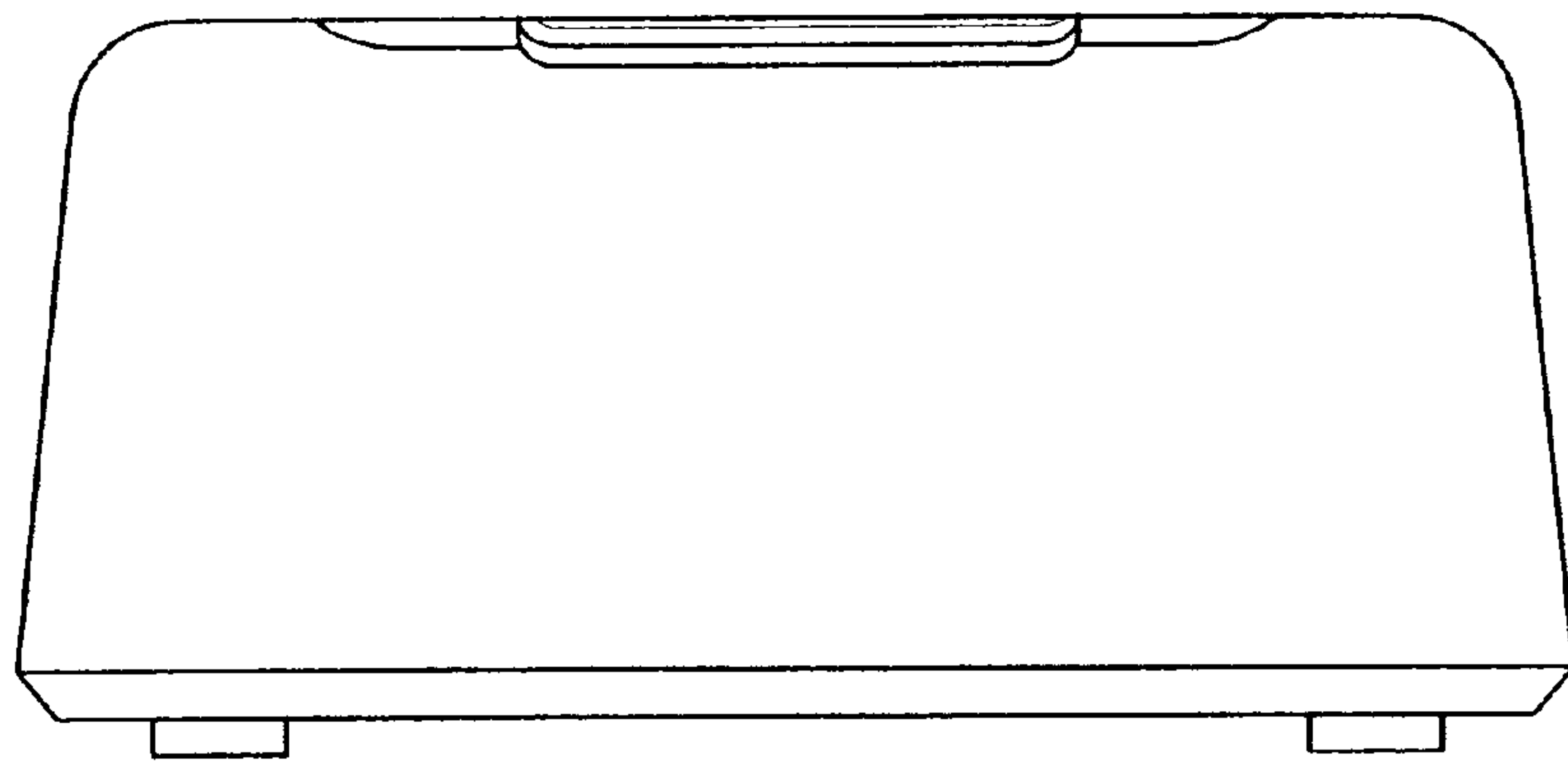


Fig. 10

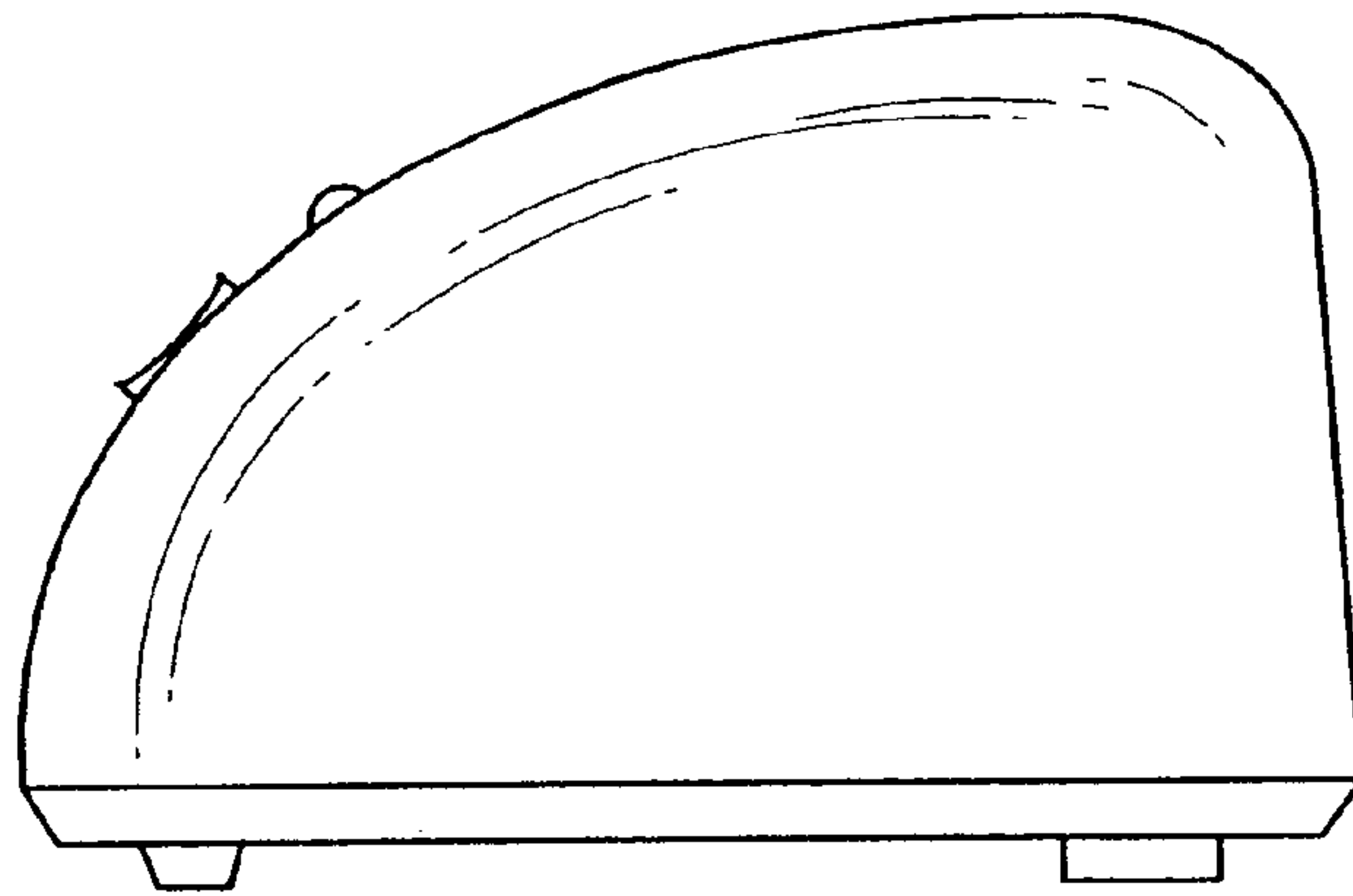


Fig. 11

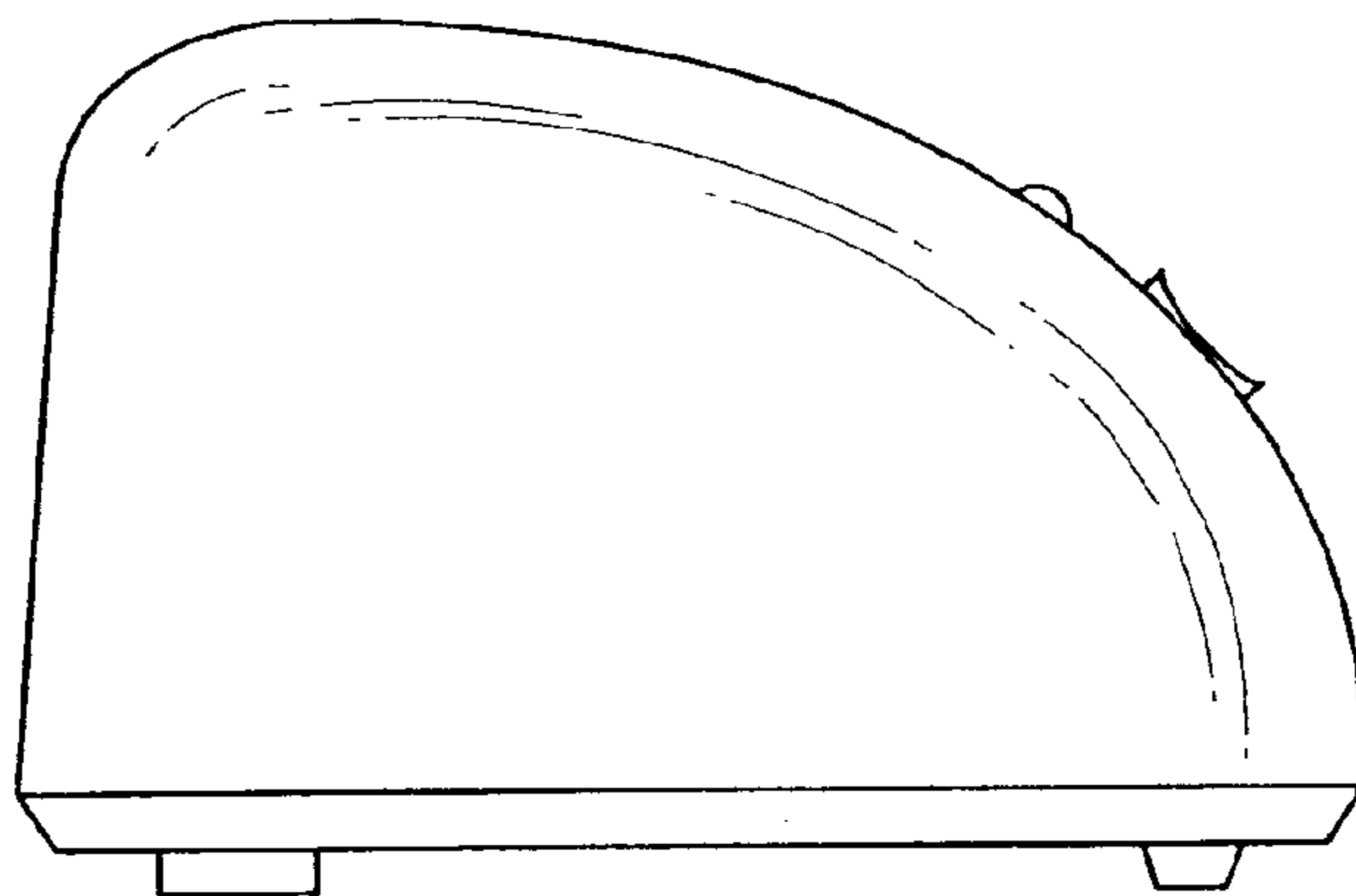


Fig. 12

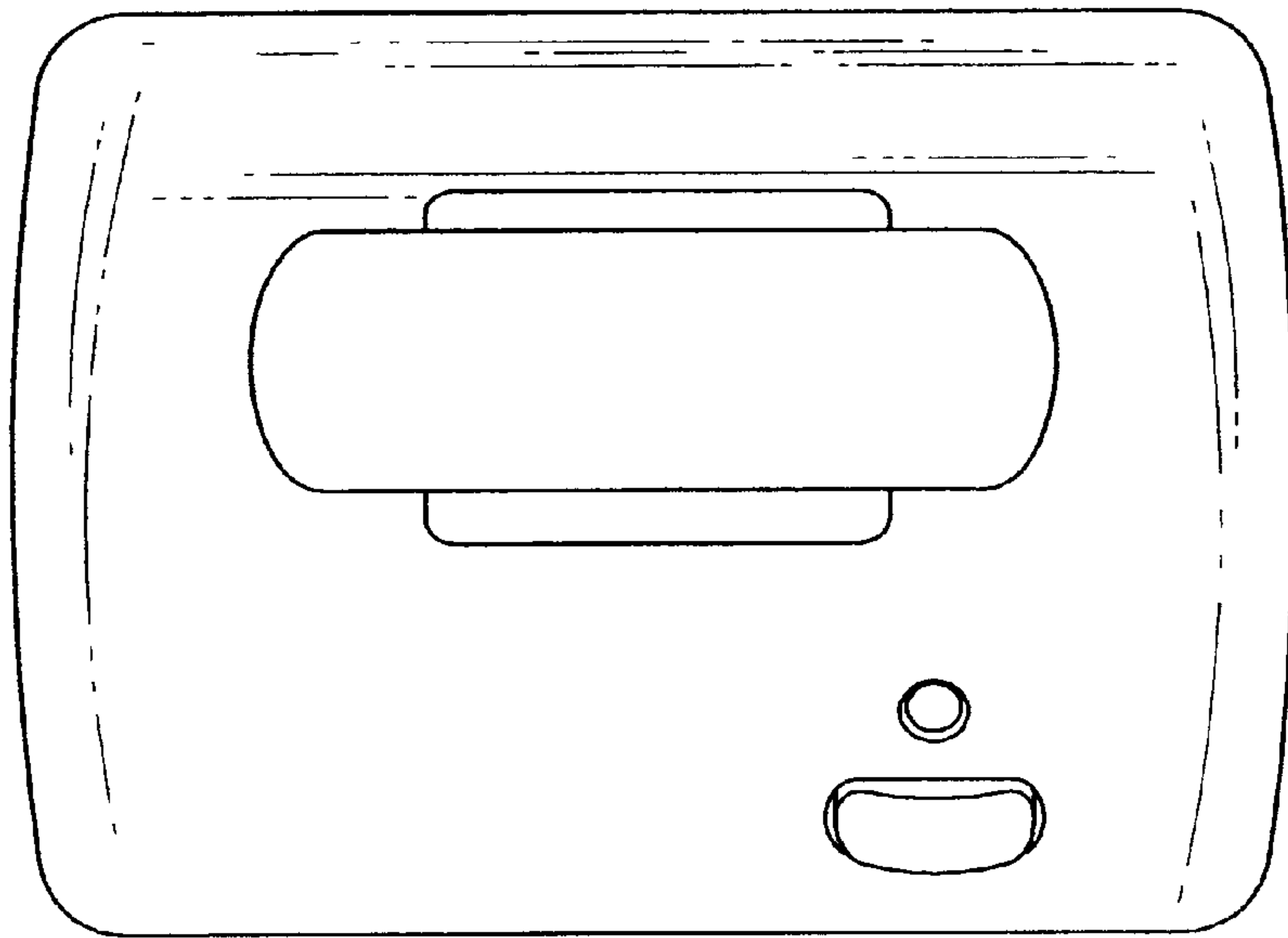


Fig. 13

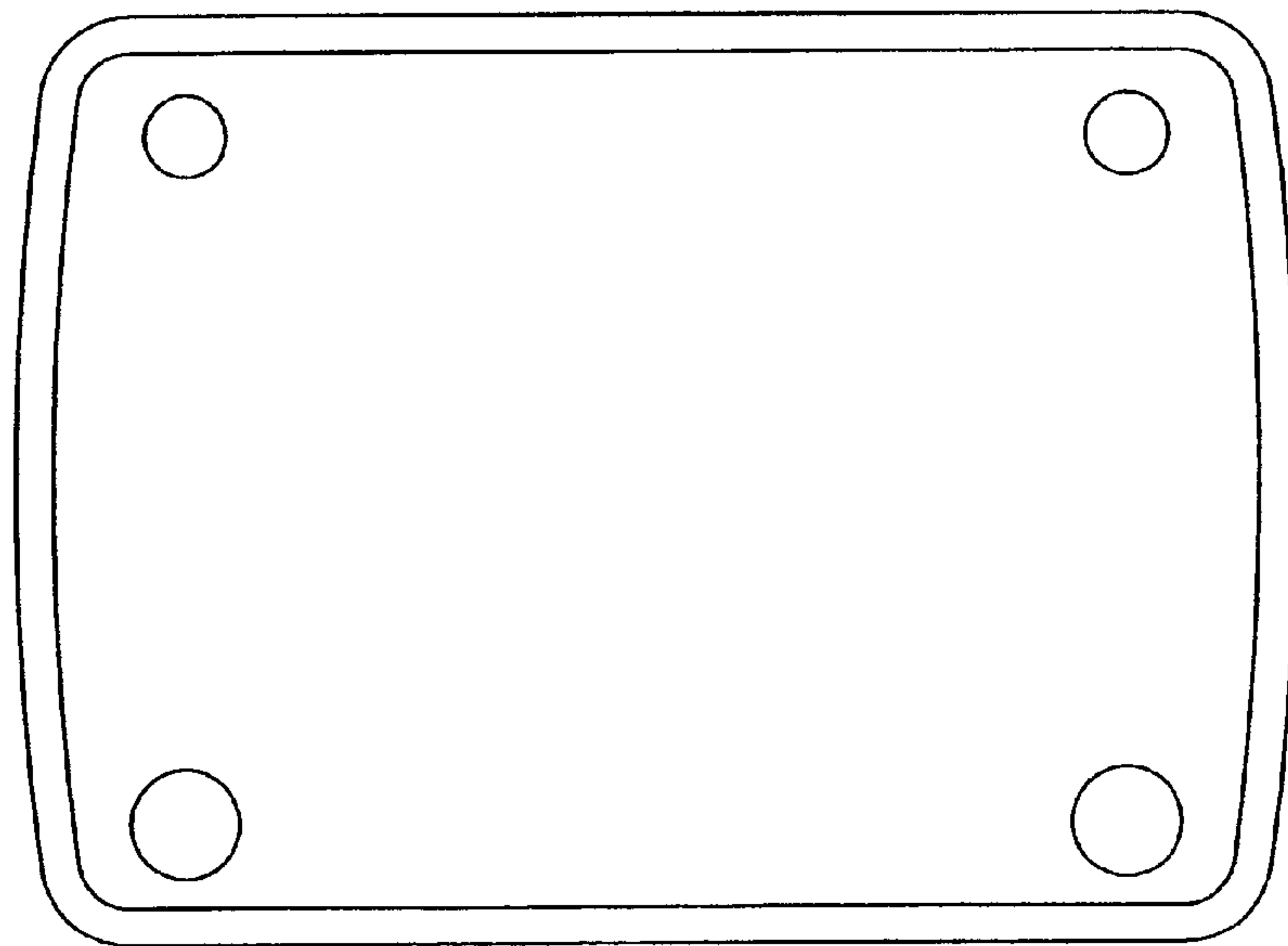


Fig. 14

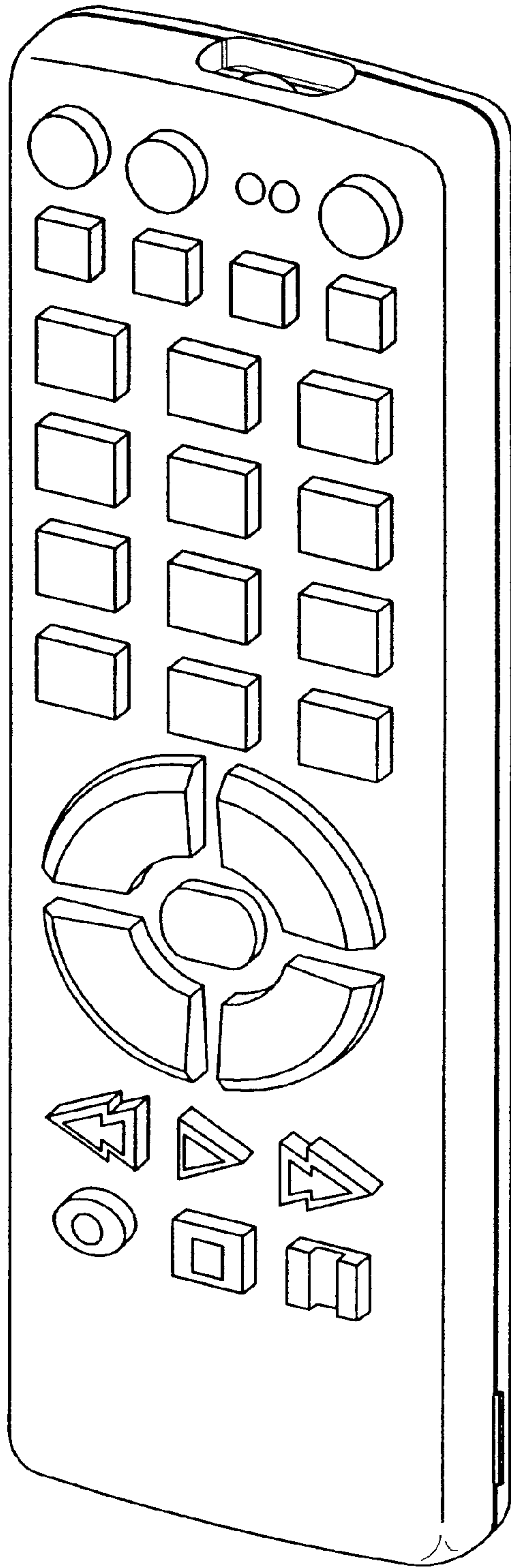


Fig. 15

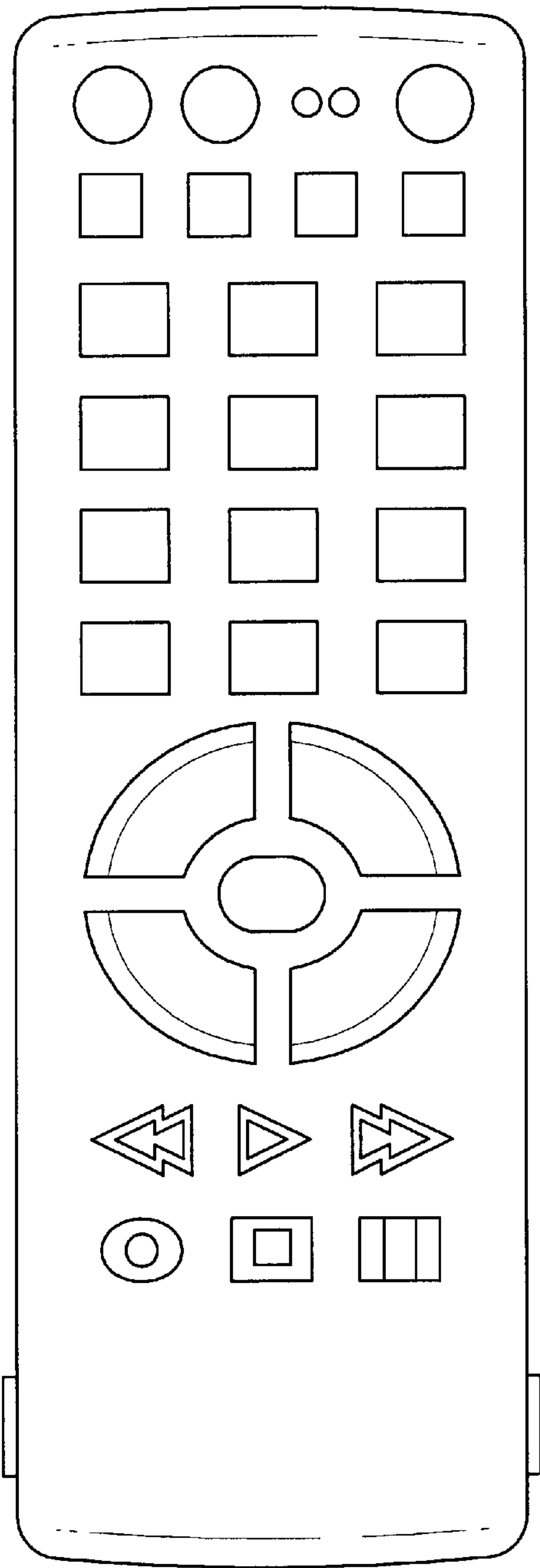


Fig. 16

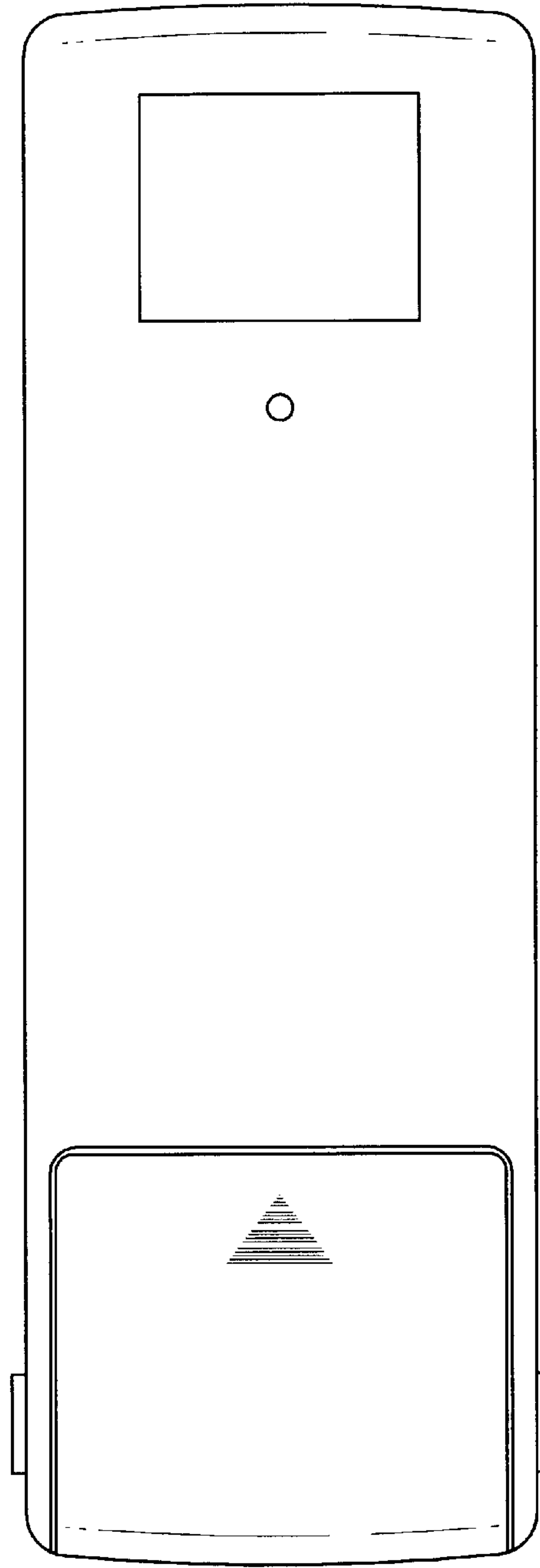


Fig. 17

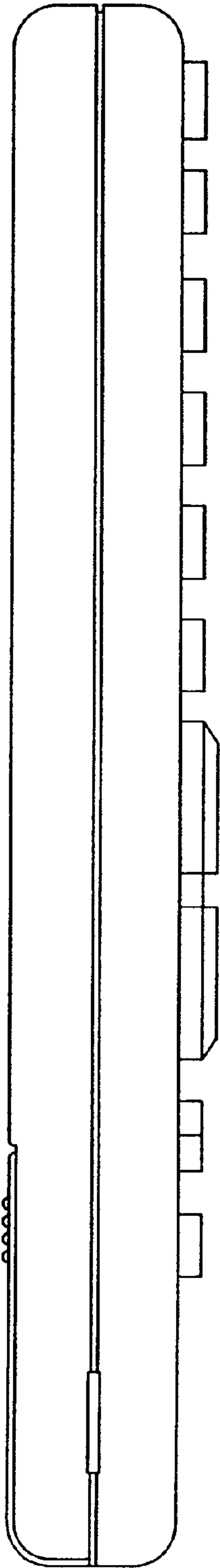


Fig. 18

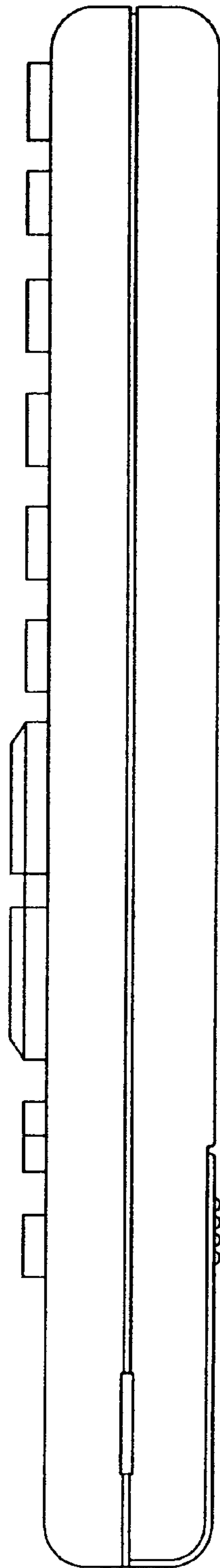


Fig. 19

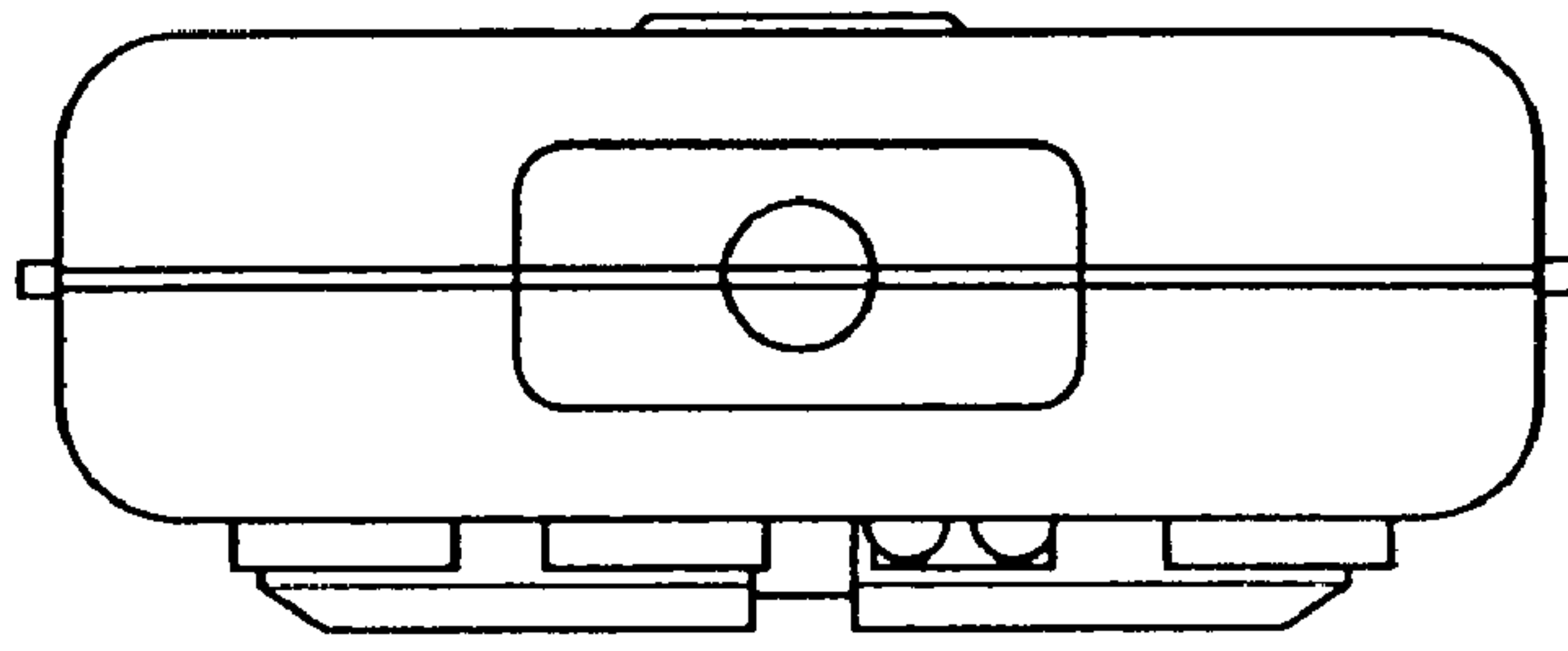


Fig. 20

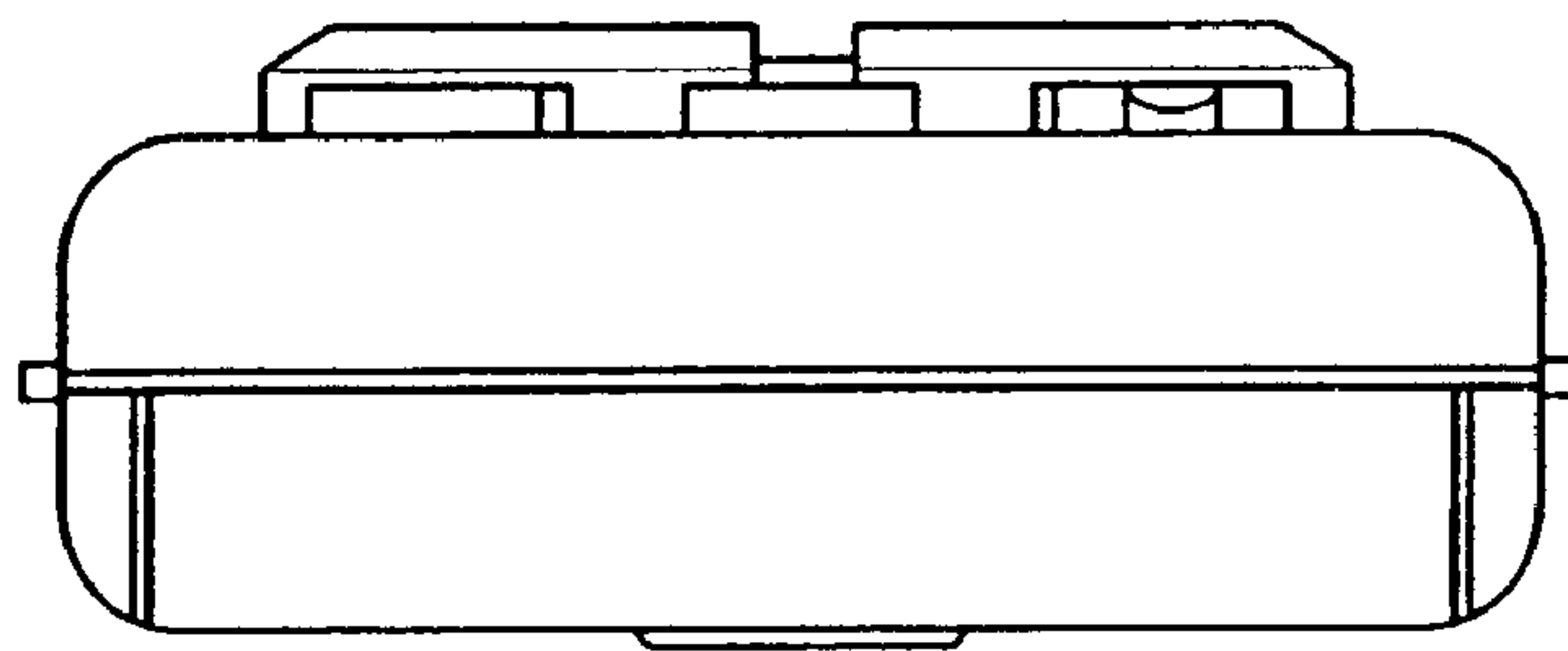


Fig. 21