



US00D451496B1

(12) **United States Design Patent**
Leon et al.

(10) **Patent No.:** **US D451,496 S**

(45) **Date of Patent:** **** Dec. 4, 2001**

(54) **BELT CLIP FOR A PAGER ASSEMBLY**

(76) Inventors: **Robert Leon**, 3525 SW. 111th Ave.,
Miami, FL (US) 33165; **Mike**
Goldenburg, 1215 Crestwood Dr., Del
Ray Beach, FL (US) 33483

(**) Term: **14 Years**

(21) Appl. No.: **29/111,190**

(22) Filed: **Sep. 21, 1999**

(51) **LOC (7) Cl.** **14-99**

(52) **U.S. Cl.** **D14/217; D14/191**

(58) **Field of Search** **D3/218; D14/192,**
D14/191, 224, 217, 299; 24/3.1, 3.11, 3.12;
224/242, 269; 455/351

(56) **References Cited**

U.S. PATENT DOCUMENTS

D. 348,775 * 7/1994 Scheid D3/218

D. 377,266 * 1/1997 Khoo et al. D3/218

D. 390,699 * 2/1998 Goldenberg et al. D3/218

5,488,759 * 2/1996 Lim et al. 24/3.12

* cited by examiner

Primary Examiner—Nanda Bondade

(74) *Attorney, Agent, or Firm*—Malloy & Malloy, P.A.

(57) **CLAIM**

The ornamental design for a belt clip for a pager assembly,
as shown and described.

DESCRIPTION

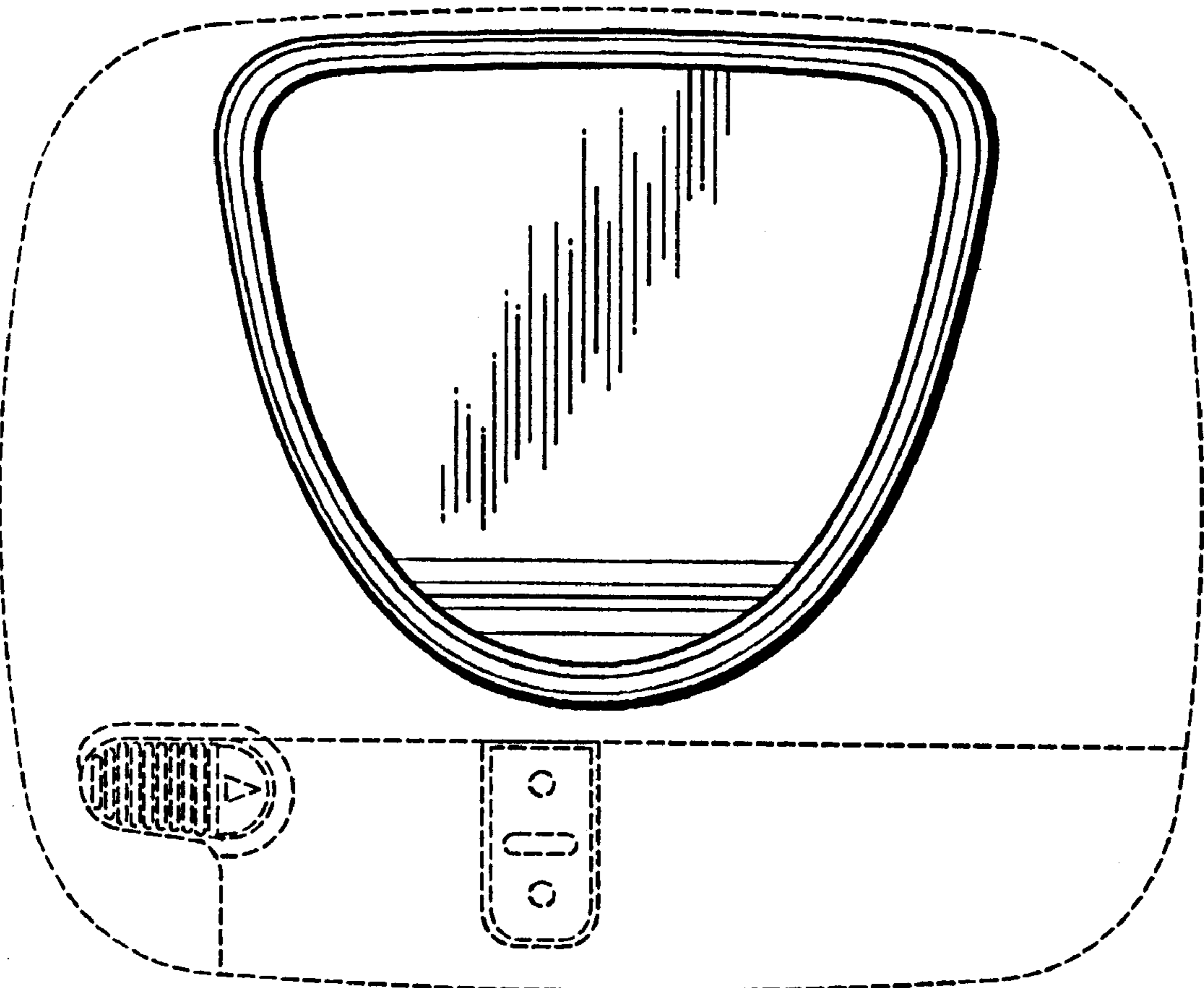
FIG. 1 is a back view of my design;

FIG. 2 is a top view of my design;

FIG. 3 is a right side view of my design with the left side
view being a mirror image thereof; and,

FIG. 4 is a bottom view of my design.

1 Claim, 1 Drawing Sheet



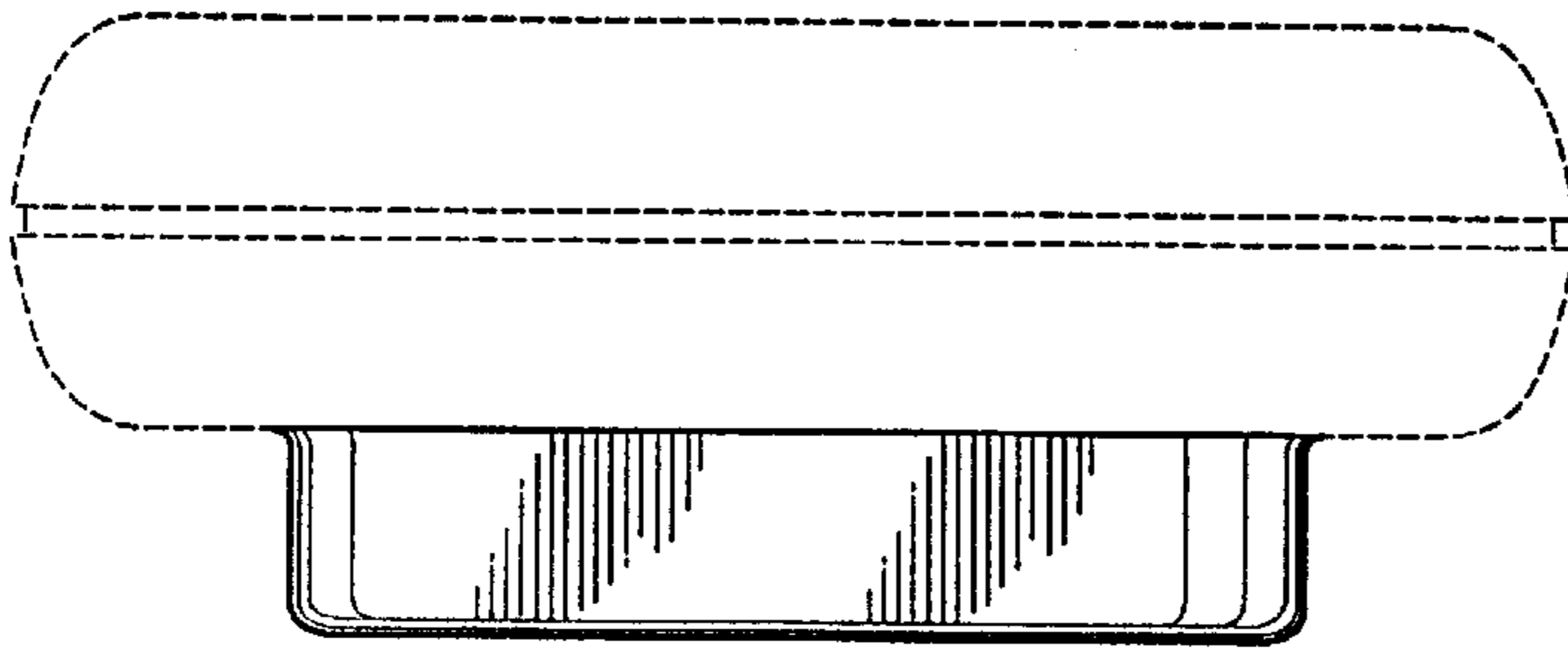


FIG. 2

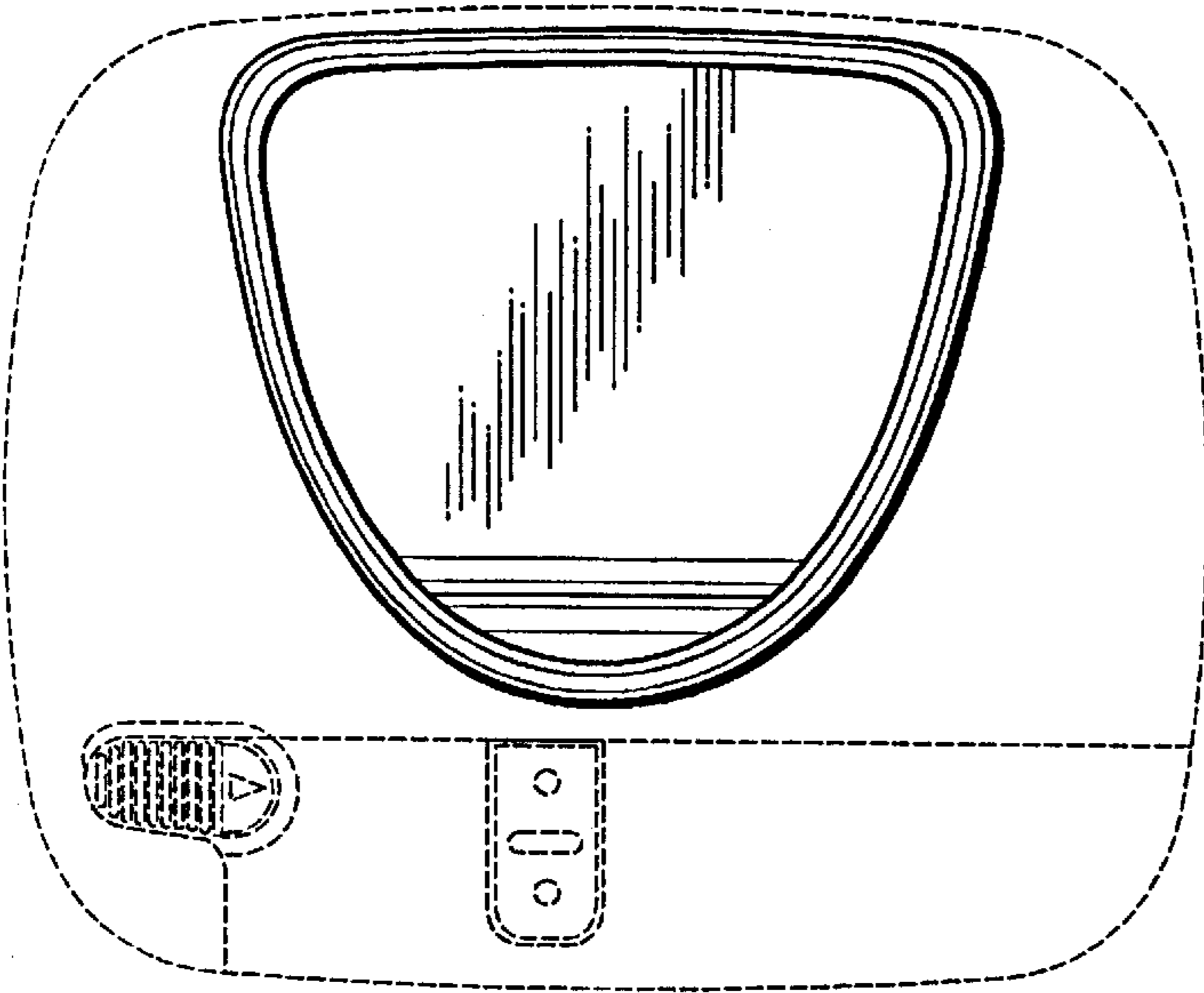


FIG. 1

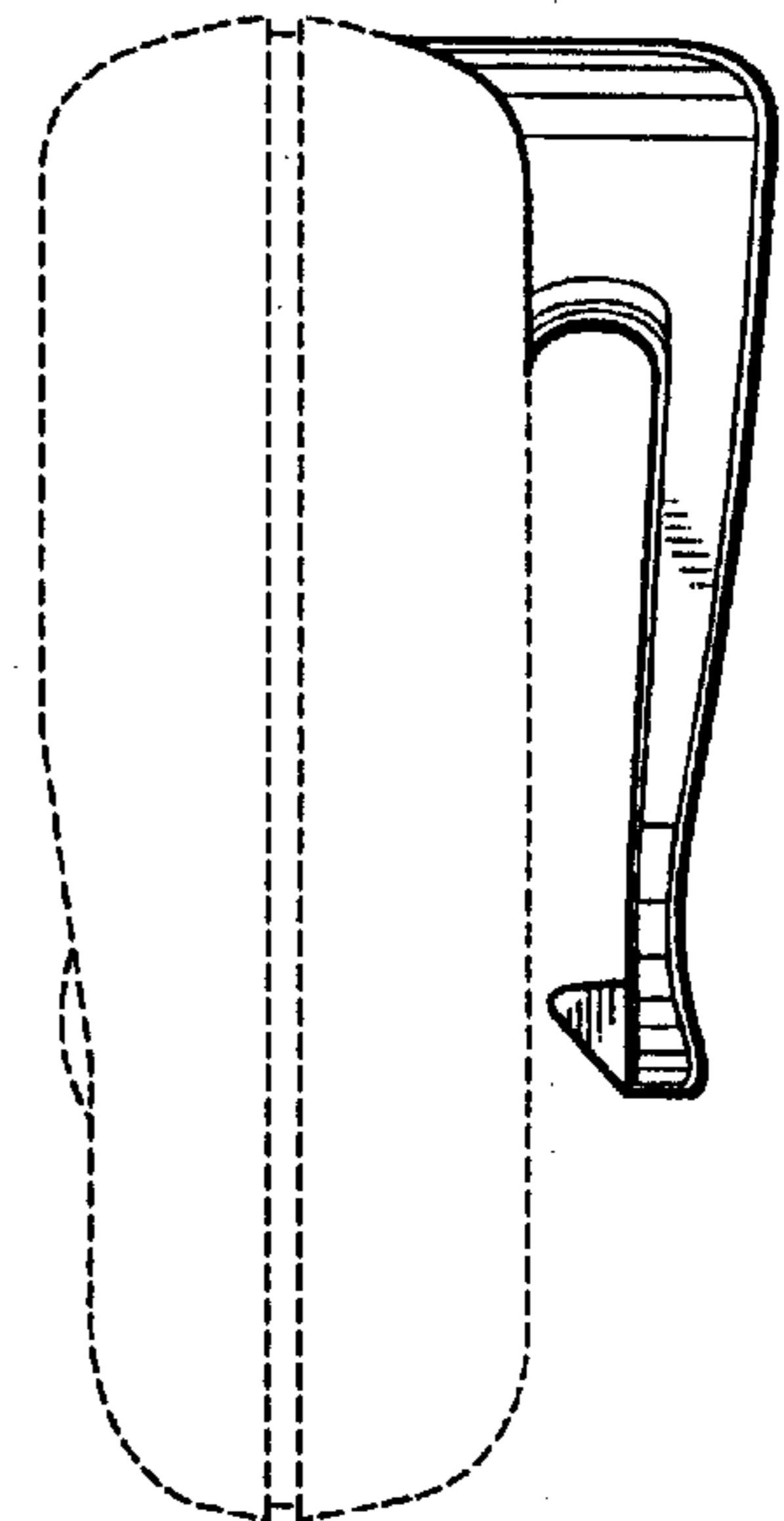


FIG. 3

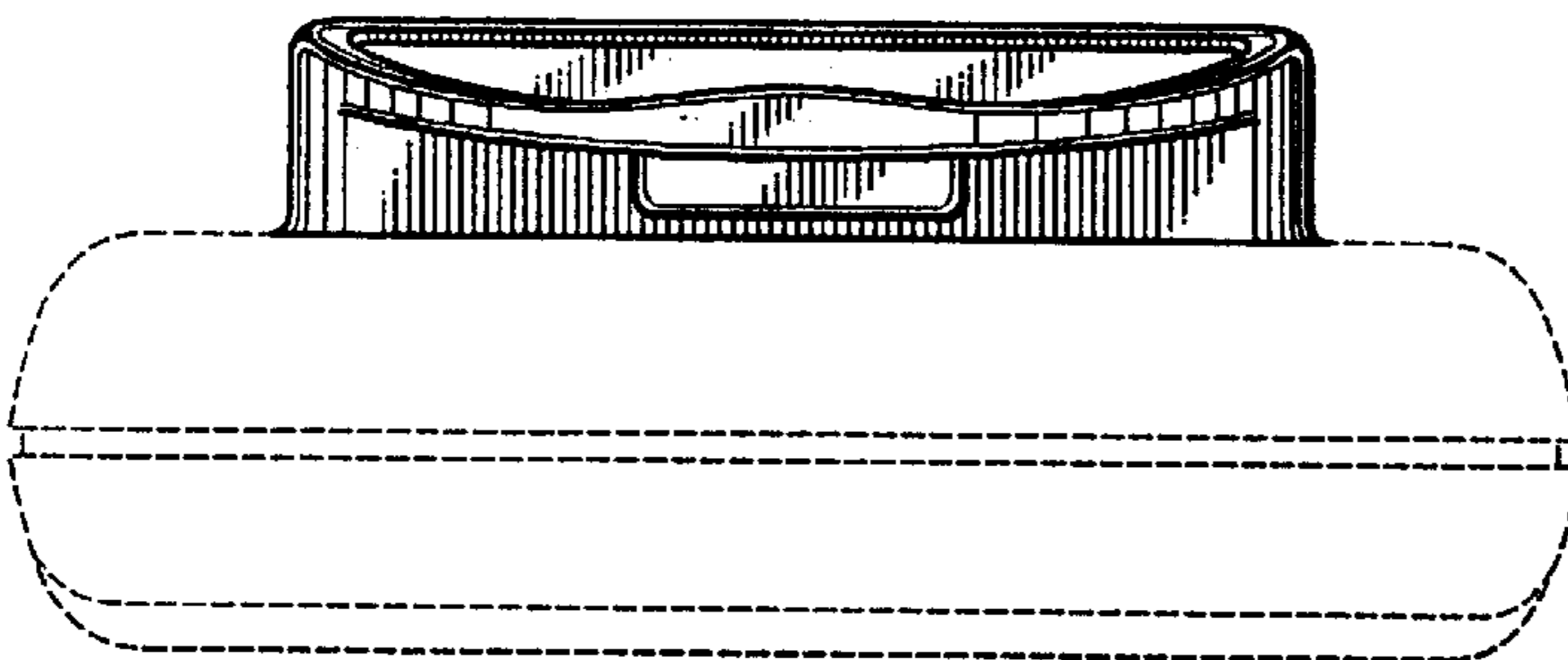


FIG. 4