



US00D451494B1

(12) **United States Design Patent**
Oikawa

(10) **Patent No.:** **US D451,494 S**

(45) **Date of Patent:** **** Dec. 4, 2001**

(54) **SPEAKER BOX**

(75) Inventor: **Yuji Oikawa**, Tokyo (JP)

(73) Assignee: **Sony Corporation**, Tokyo (JP)

(**) Term: **14 Years**

(21) Appl. No.: **29/138,906**

(22) Filed: **Mar. 22, 2001**

(51) **LOC (7) Cl.** **14-01**

(52) **U.S. Cl.** **D14/214; D14/211**

(58) **Field of Search** **D14/204, 210-214;**
181/144-145, 147-148, 150, 153, 198-199;
381/300-302, 307, 332-336, 386

(56) **References Cited**

U.S. PATENT DOCUMENTS

D. 261,883	*	11/1981	Russell et al.	D14/214
D. 347,225	*	5/1994	Lowy et al.	D14/211
D. 415,764	*	10/1999	Azima et al.	D14/214
4,940,108	*	7/1990	Selby	181/145
5,343,535	*	8/1994	Marshall	181/144 X
6,021,208	*	2/2000	Kin-Lung	381/386

* cited by examiner

Primary Examiner—Nanda Bondade

(74) *Attorney, Agent, or Firm*—Rader, Fishman & Grauer, PLLC

(57) **CLAIM**

The ornamental design for a speaker box, as shown and described.

DESCRIPTION

FIG. 1 is a front elevational view of a speaker box showing my new design;

FIG. 2 is a rear elevational view thereof;

FIG. 3 is a right side elevational view thereof, a left side elevational view thereof being a mirror image;

FIG. 4 is a top plan view thereof; and

FIG. 5 is a bottom plan view thereof.

FIG. 6 is a front elevational view of another embodiment of a speaker box showing my new design;

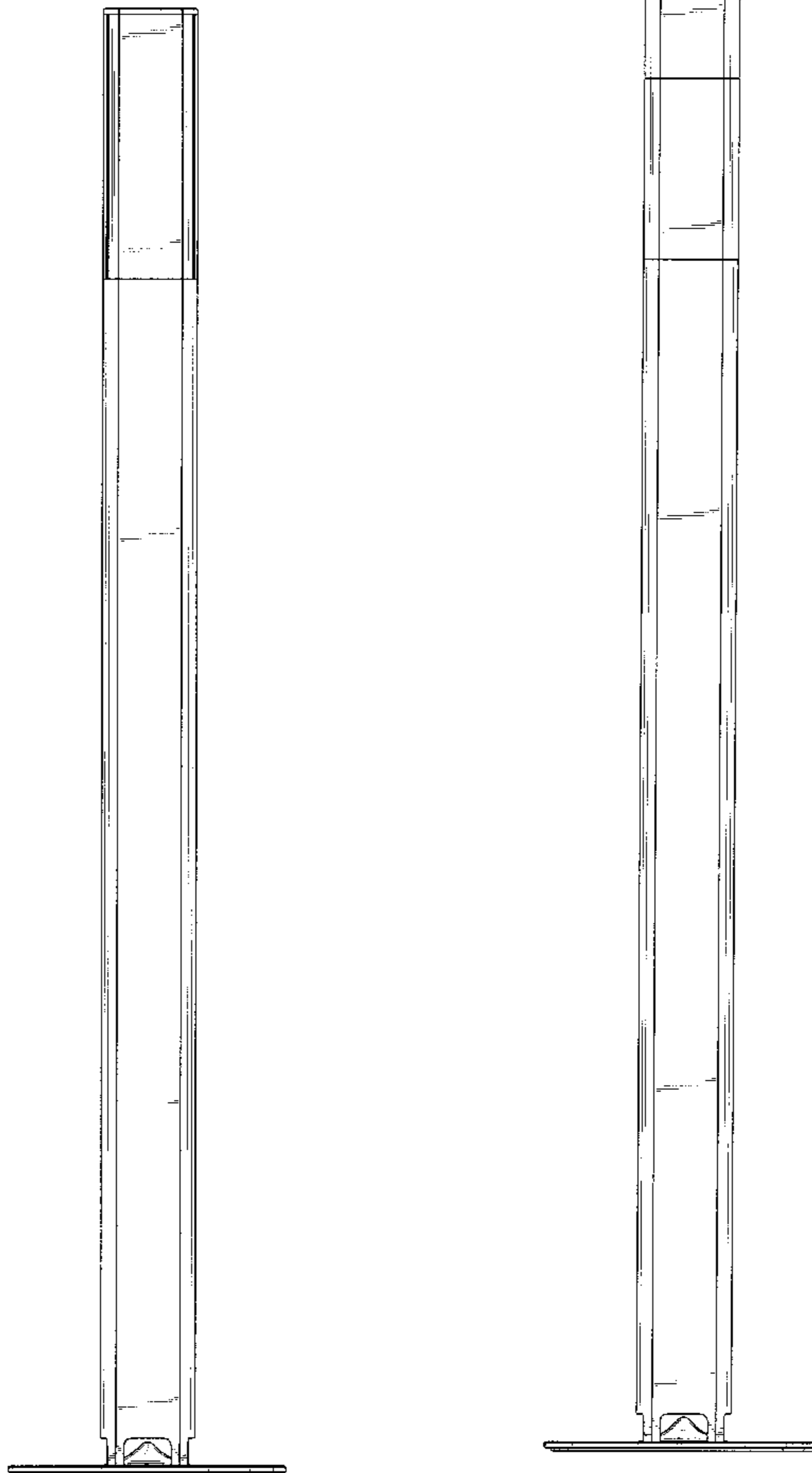
FIG. 7 is a rear elevational view thereof;

FIG. 8 is a right side elevational view thereof, a left side elevational view thereof being a mirror image;

FIG. 9 is a top plan view thereof; and,

FIG. 10 is a bottom plan view thereof.

1 Claim, 4 Drawing Sheets



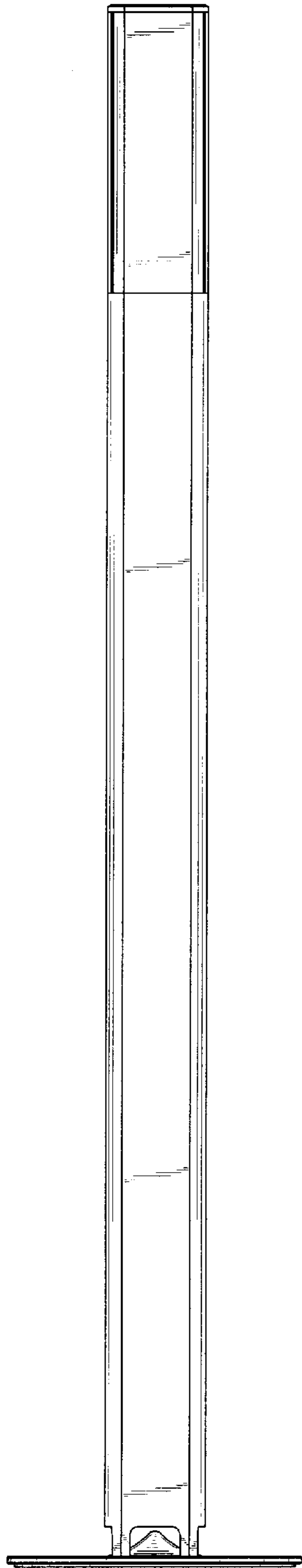


Fig. 1

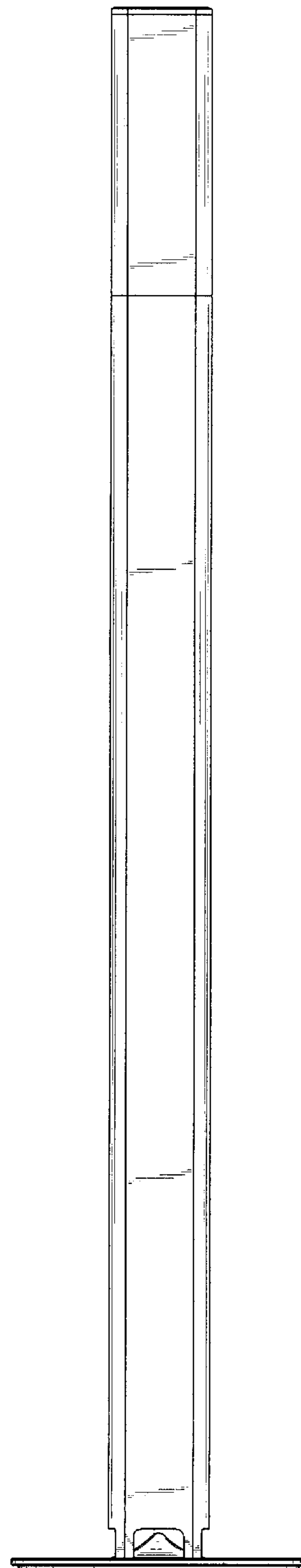


Fig. 2

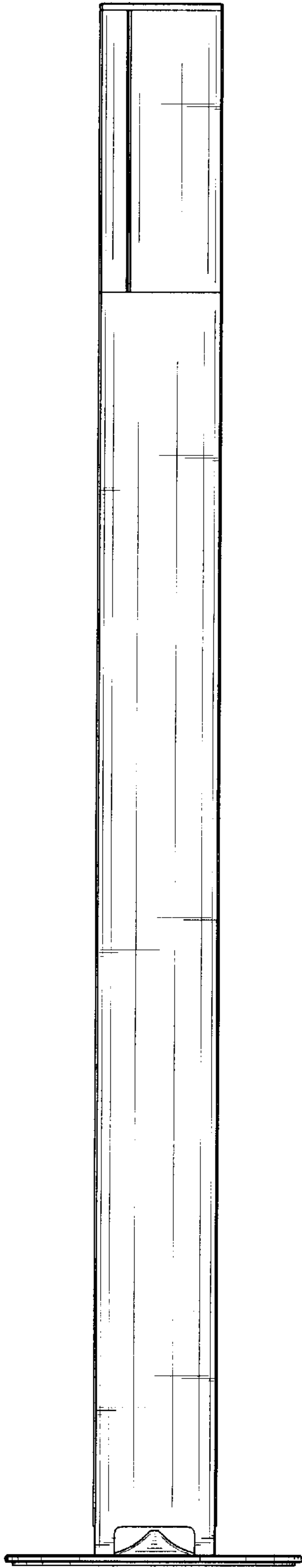


Fig. 3

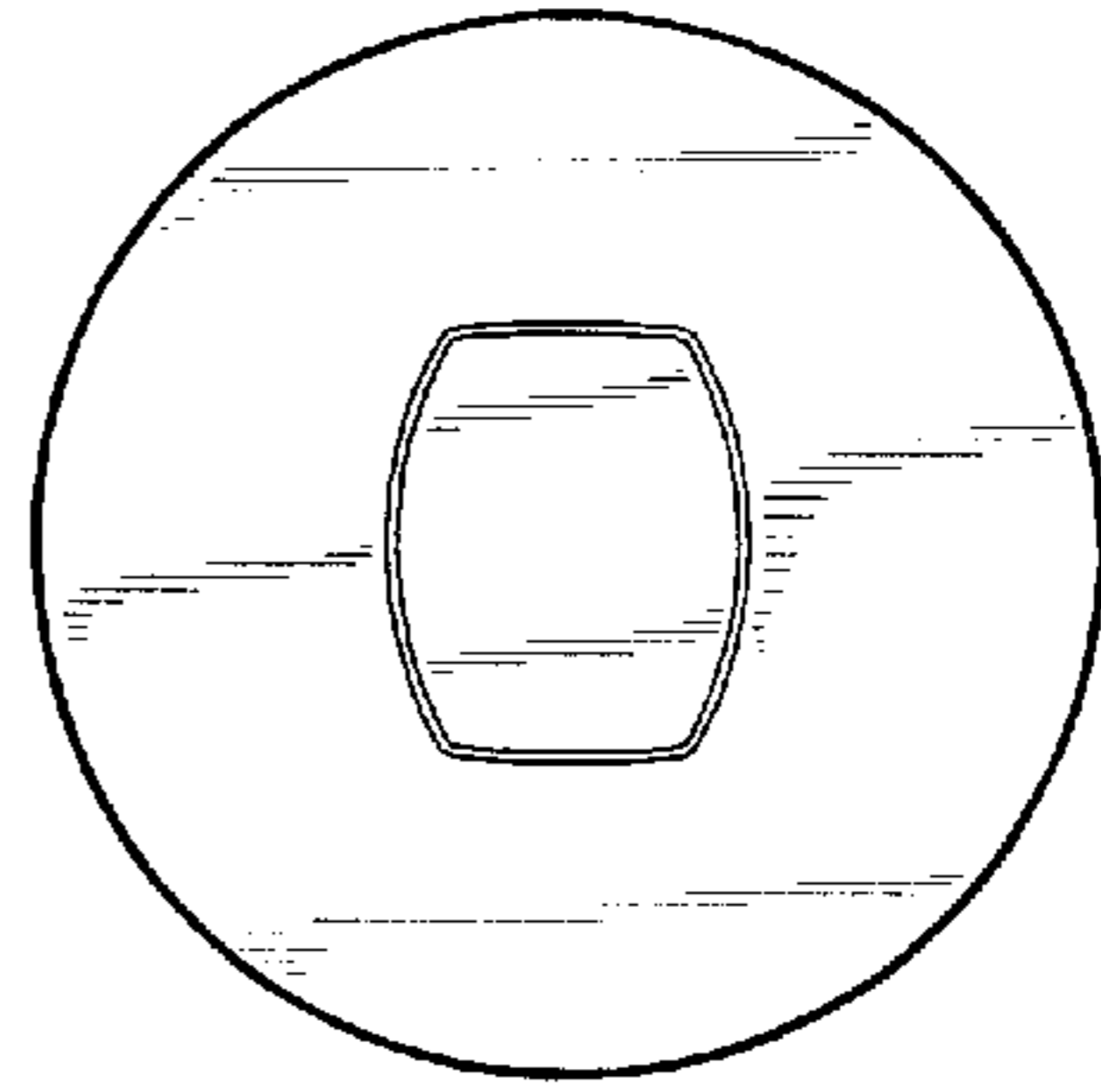


Fig. 4

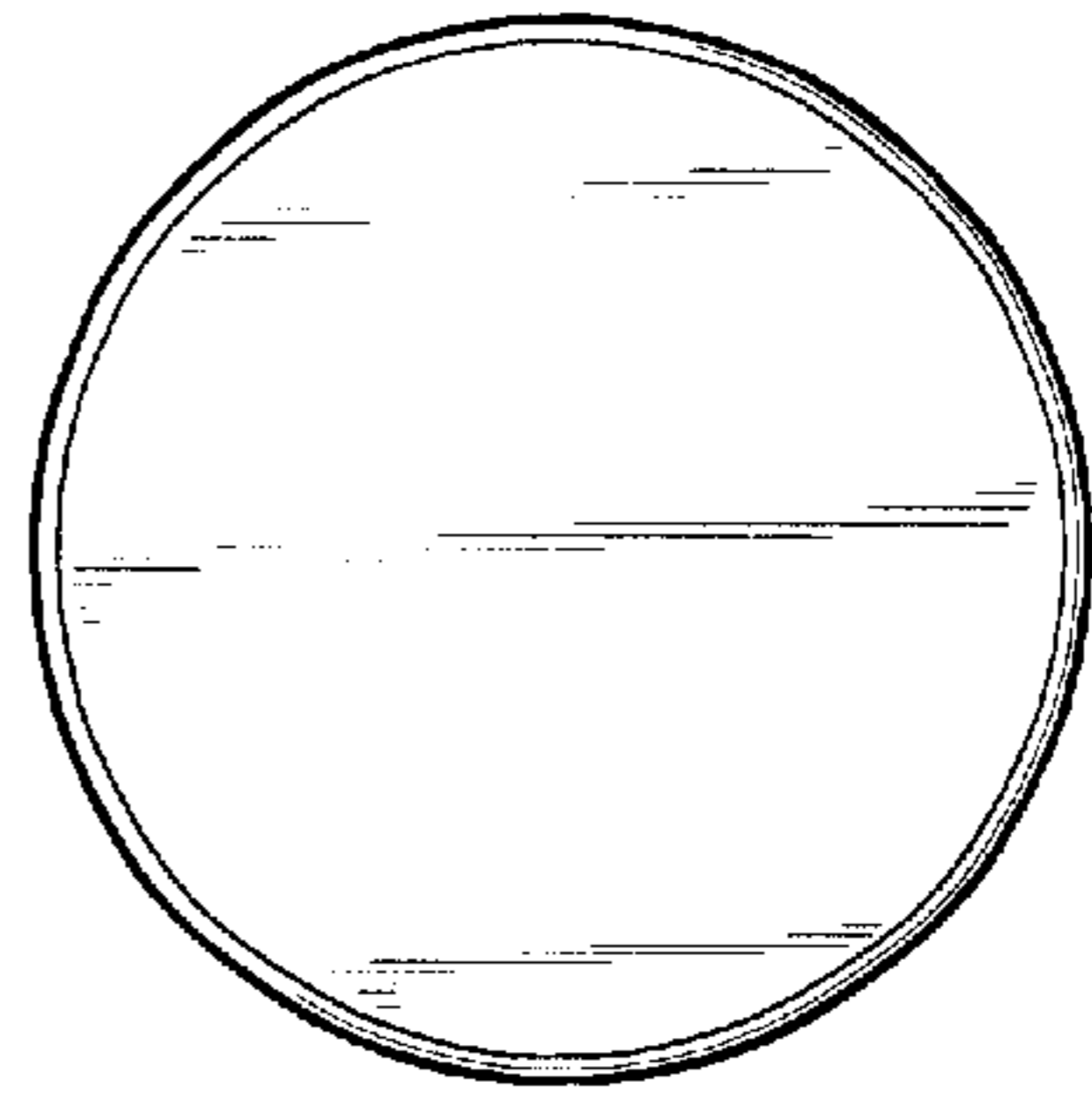


Fig. 5

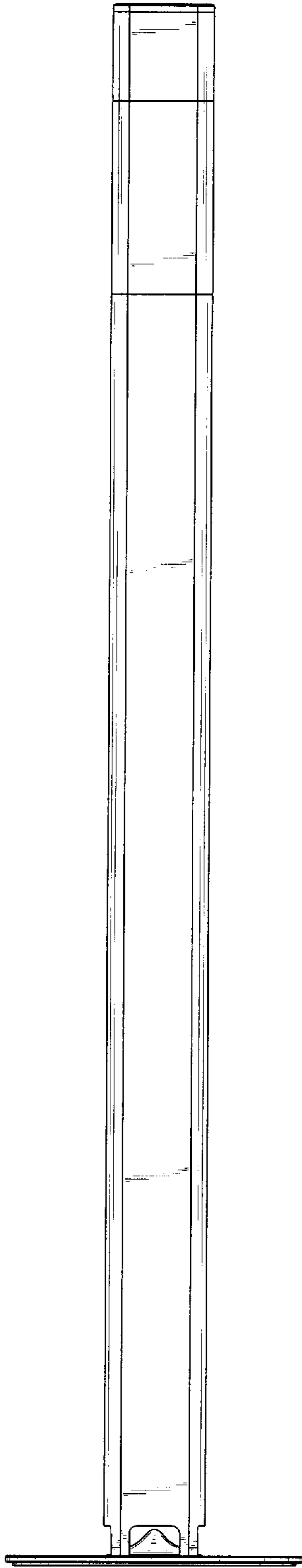


Fig. 6

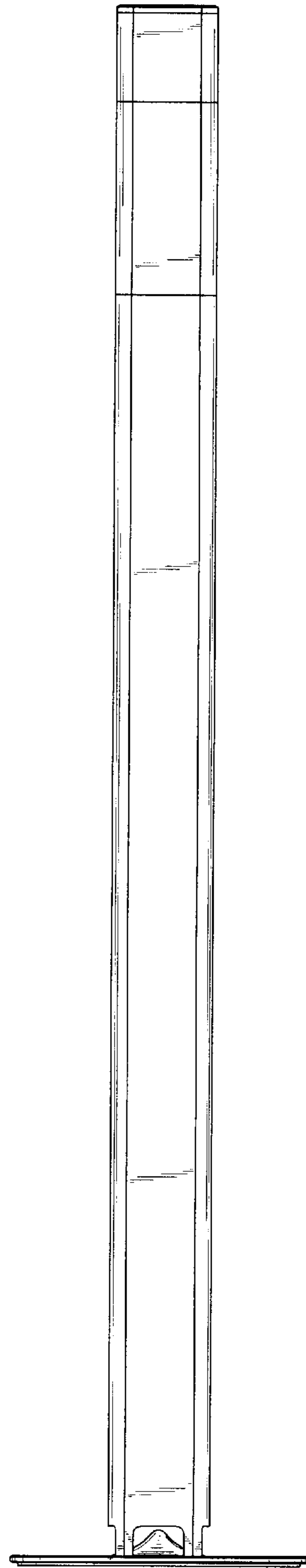


Fig. 7

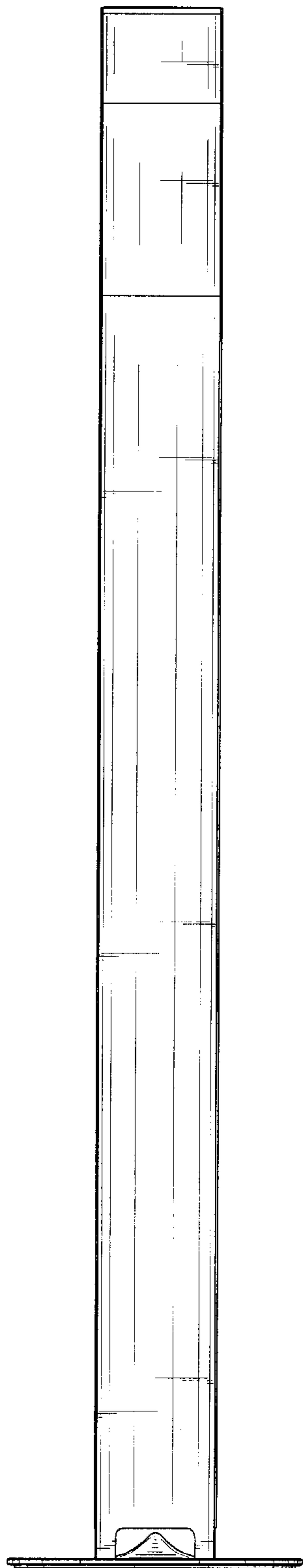


Fig. 8

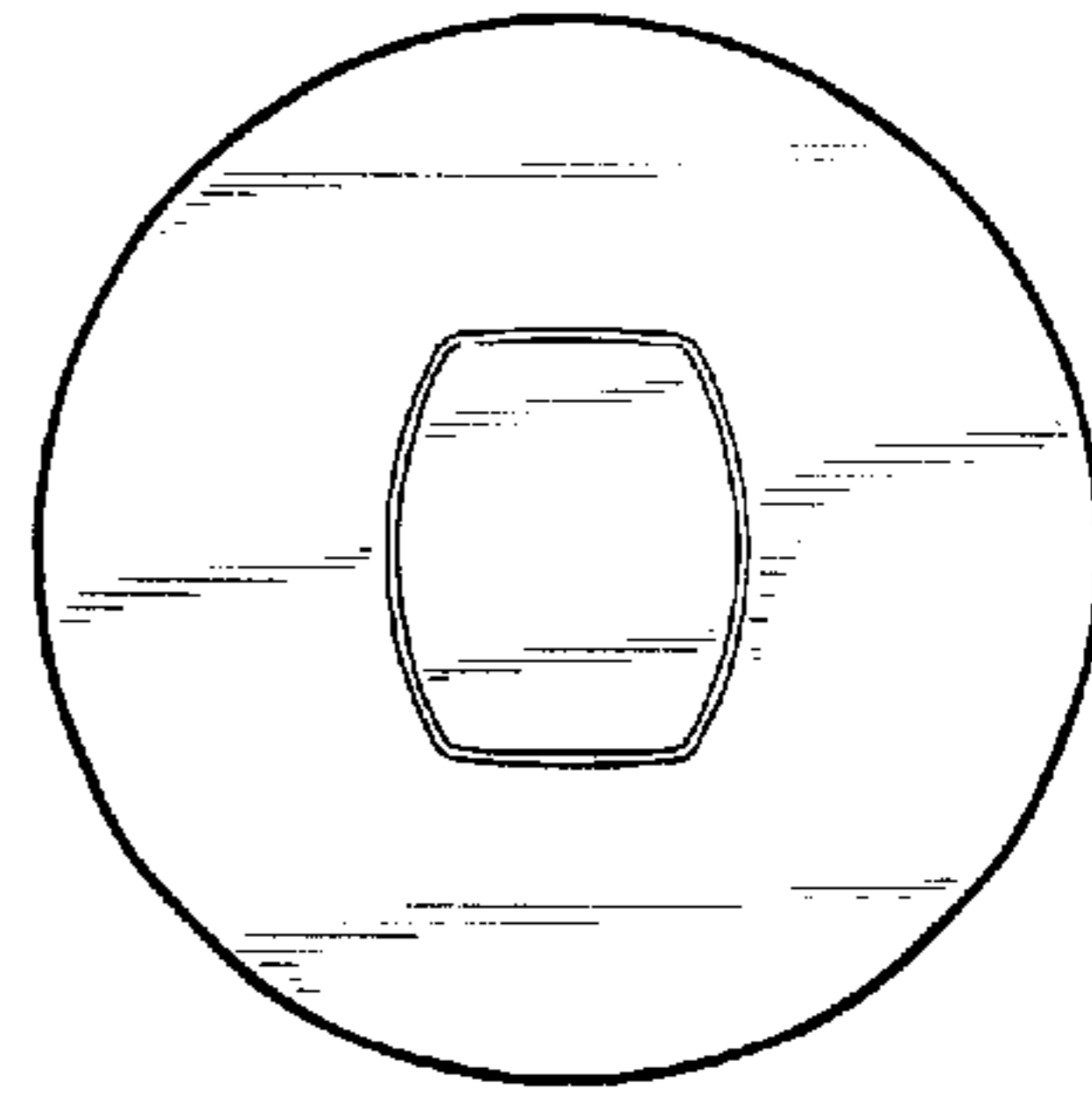


Fig. 9

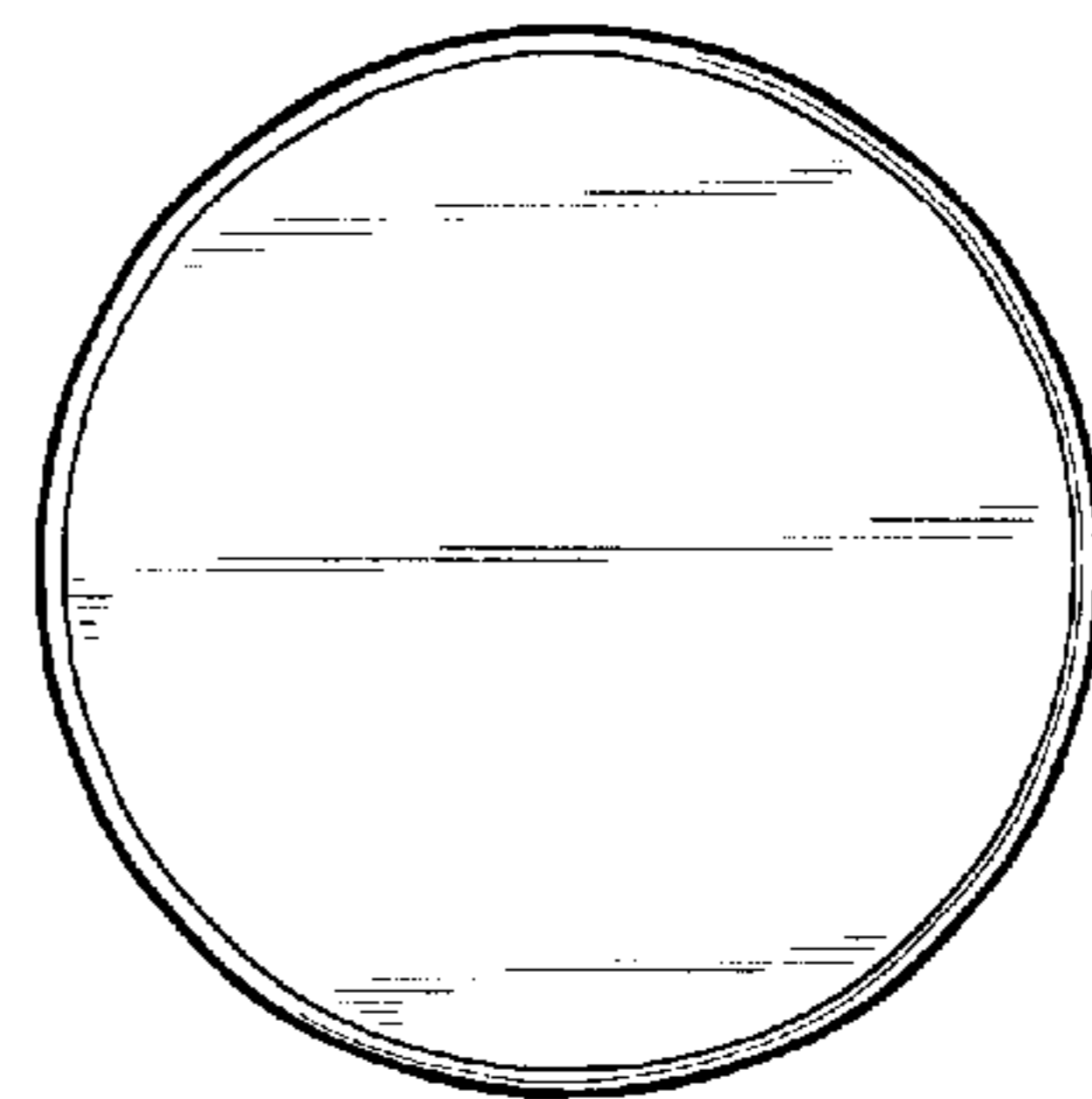


Fig. 10