



US00D451487B1

(12) **United States Design Patent**  
**Ng**

(10) **Patent No.:** **US D451,487 S**

(45) **Date of Patent:** **\*\* Dec. 4, 2001**

(54) **PORTABLE MP-3 COMPACT DISC PLAYER**

(75) **Inventor:** **Zachary Ng, Hong Kong (CN)**

(73) **Assignee:** **U.S. Philips Corporation, New York, NY (US)**

(\*\*) **Term:** **14 Years**

(21) **Appl. No.:** **29/139,221**

(22) **Filed:** **Mar. 27, 2001**

(51) **LOC (7) Cl.** ..... **14-01**

(52) **U.S. Cl.** ..... **D14/156; D14/168**

(58) **Field of Search** ..... **D14/135-136, D14/156-157, 160-165, 167-168, 188, 193-198; 455/344, 347-351**

(56) **References Cited**

**U.S. PATENT DOCUMENTS**

D. 358,593 \* 5/1995 Oba ..... D14/168

D. 366,658 \* 1/1996 Fukutome ..... D14/168

D. 410,649 \* 6/1999 Kobayash ..... D14/163

D. 426,224 \* 6/2000 Yoneda ..... D14/168

\* cited by examiner

*Primary Examiner*—Nanda Bondade

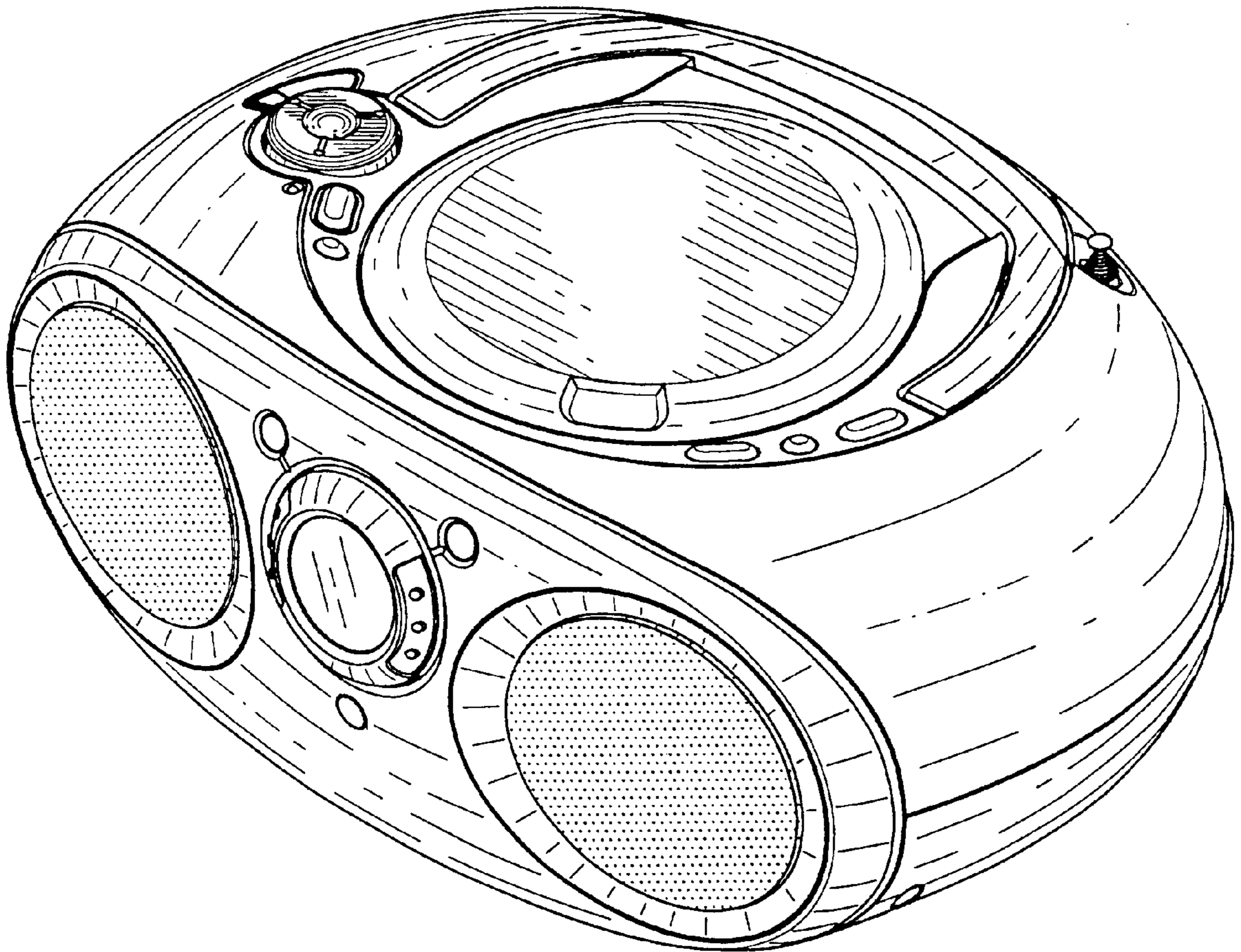
(57) **CLAIM**

The ornamental design for a portable MP-3 compact disc player, as shown.

**DESCRIPTION**

FIG. 1 is a perspective view showing my design; FIG. 2 is a front elevational view thereof; FIG. 3 is a rear elevational view thereof; FIG. 4 is a right side elevational view thereof; FIG. 5 is a left side elevational view thereof; FIG. 6 is a top plan view thereof; and, FIG. 7 is a bottom plan view thereof.

**1 Claim, 5 Drawing Sheets**



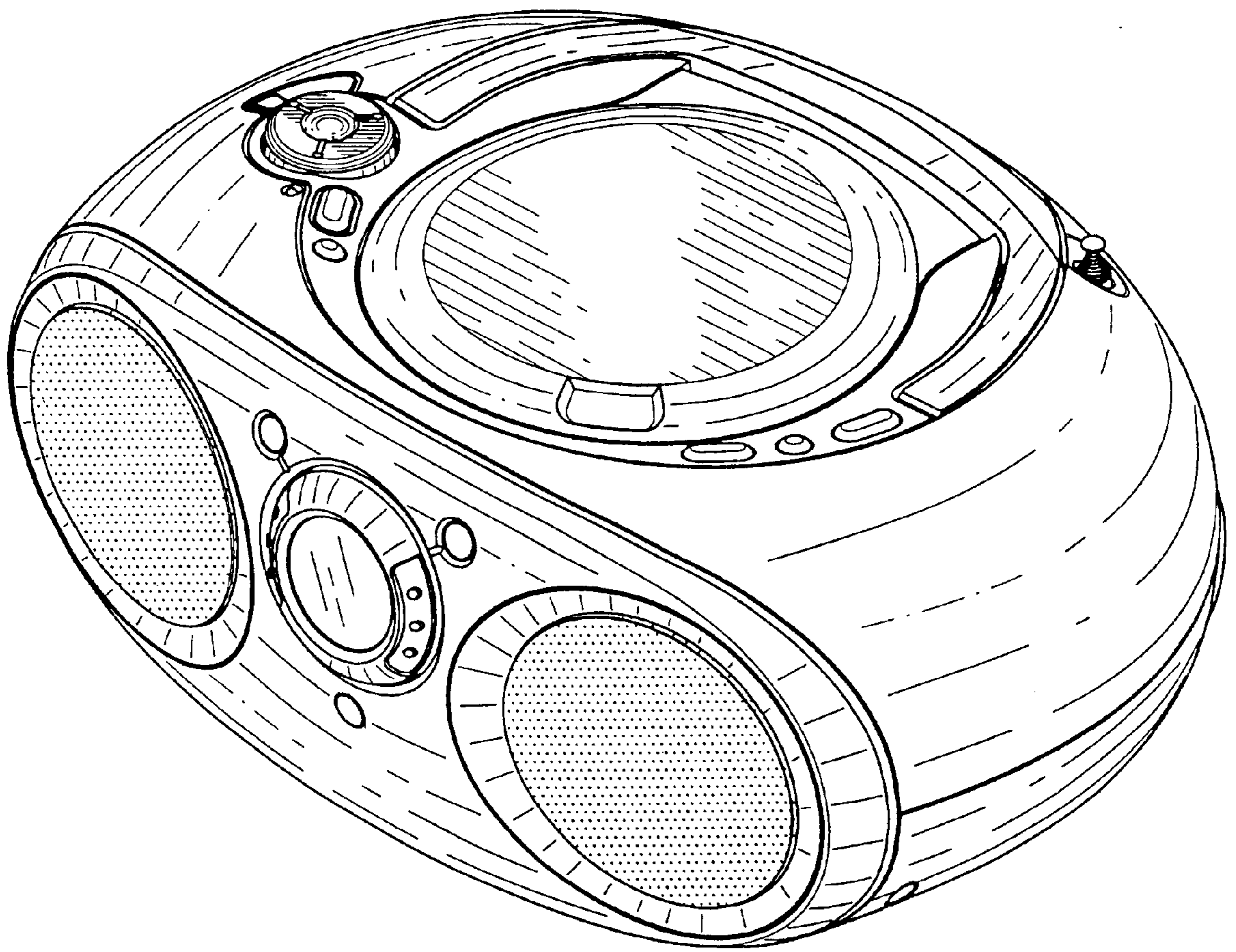


FIG. 1



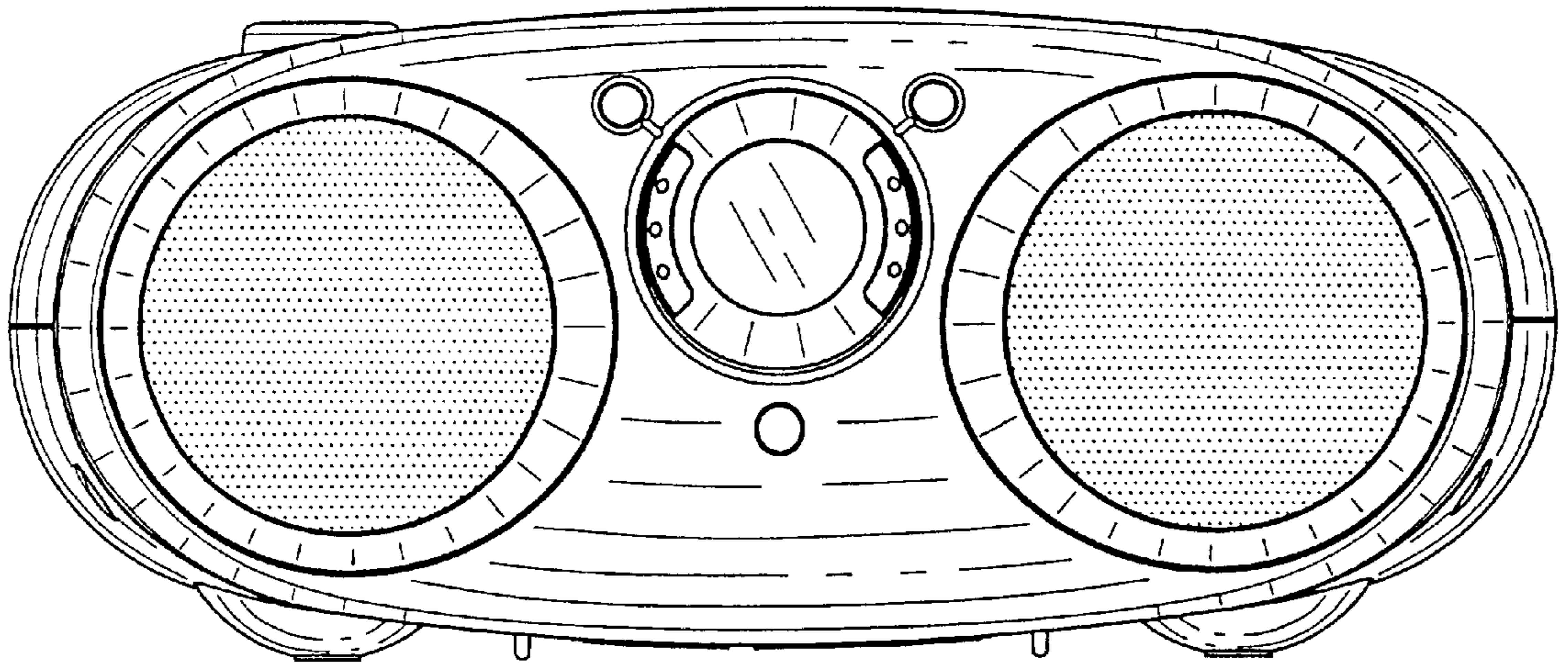


FIG. 2

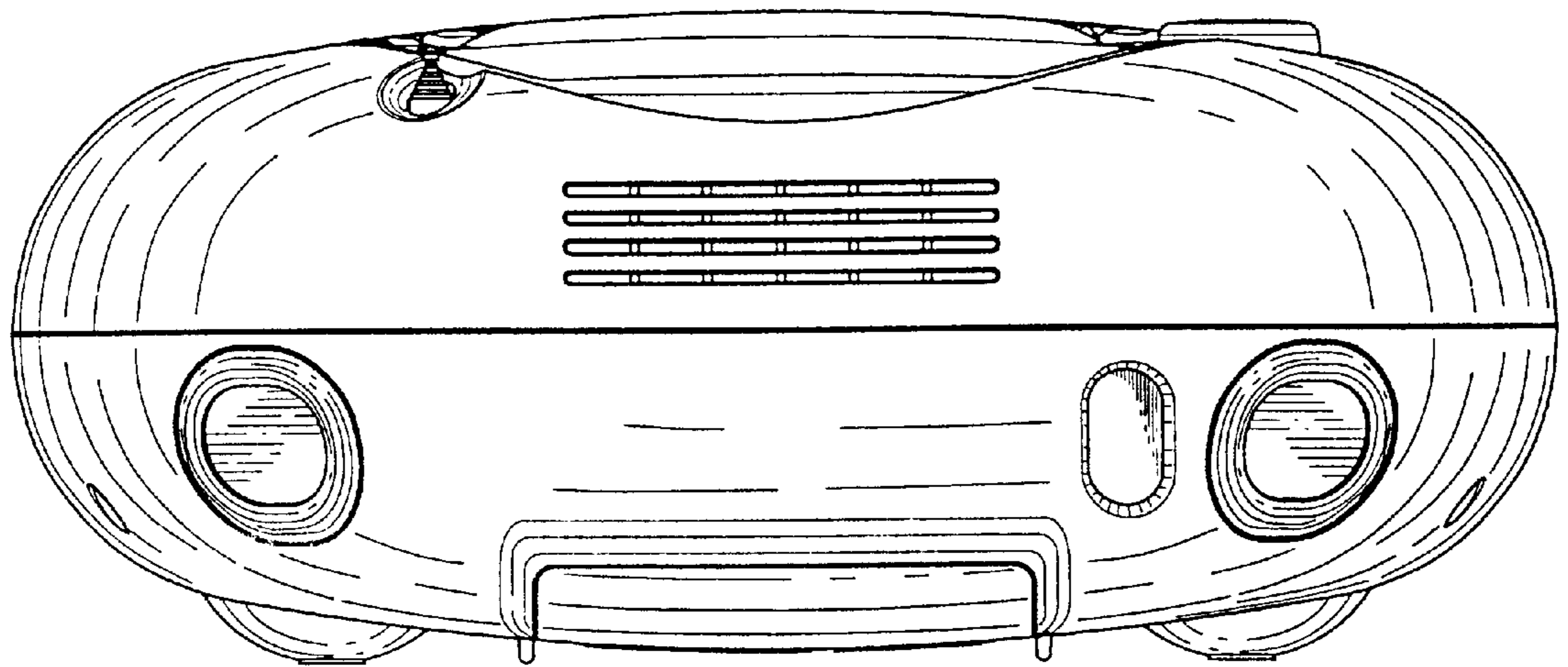


FIG. 3

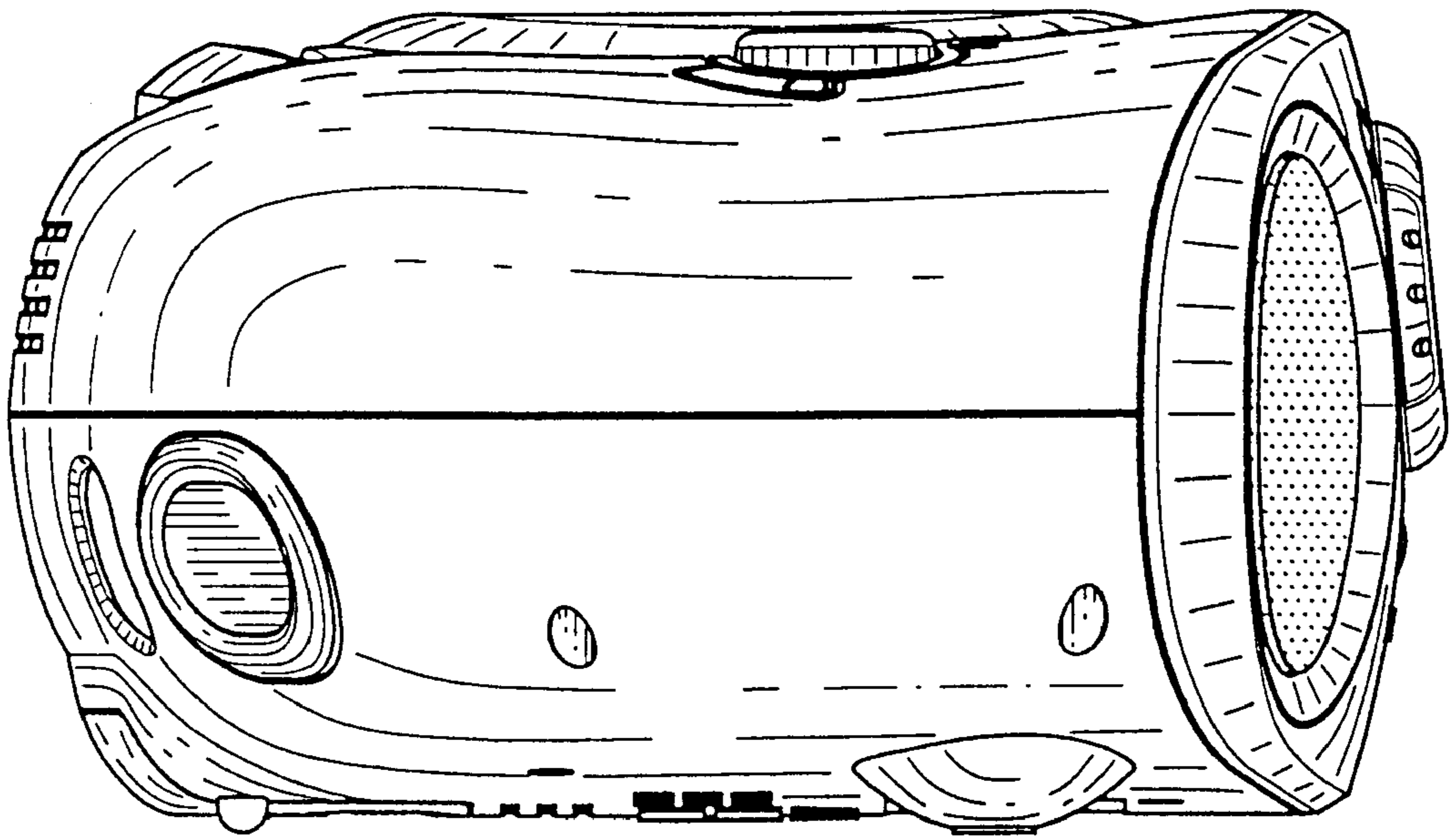


FIG. 4

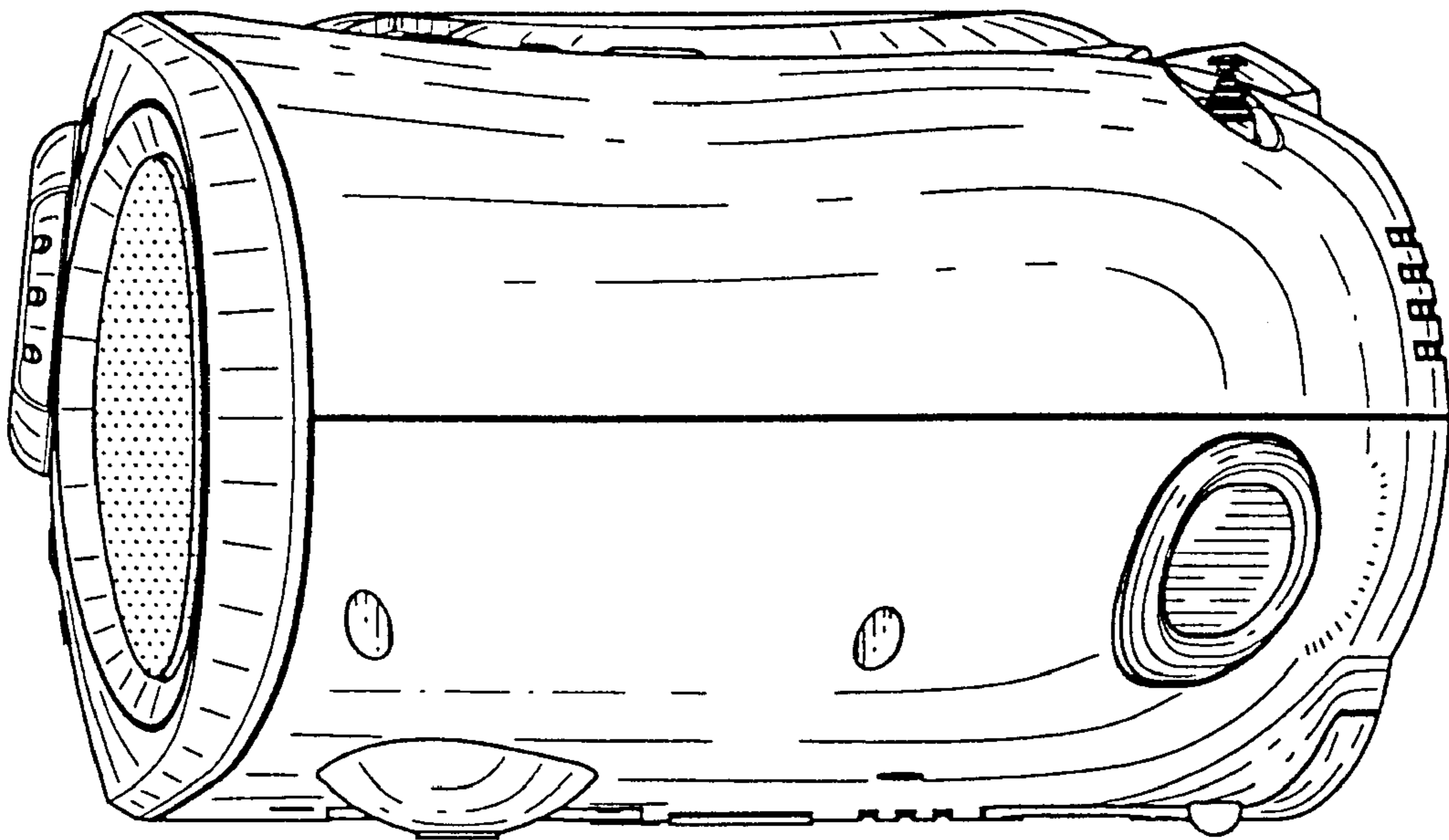


FIG. 5

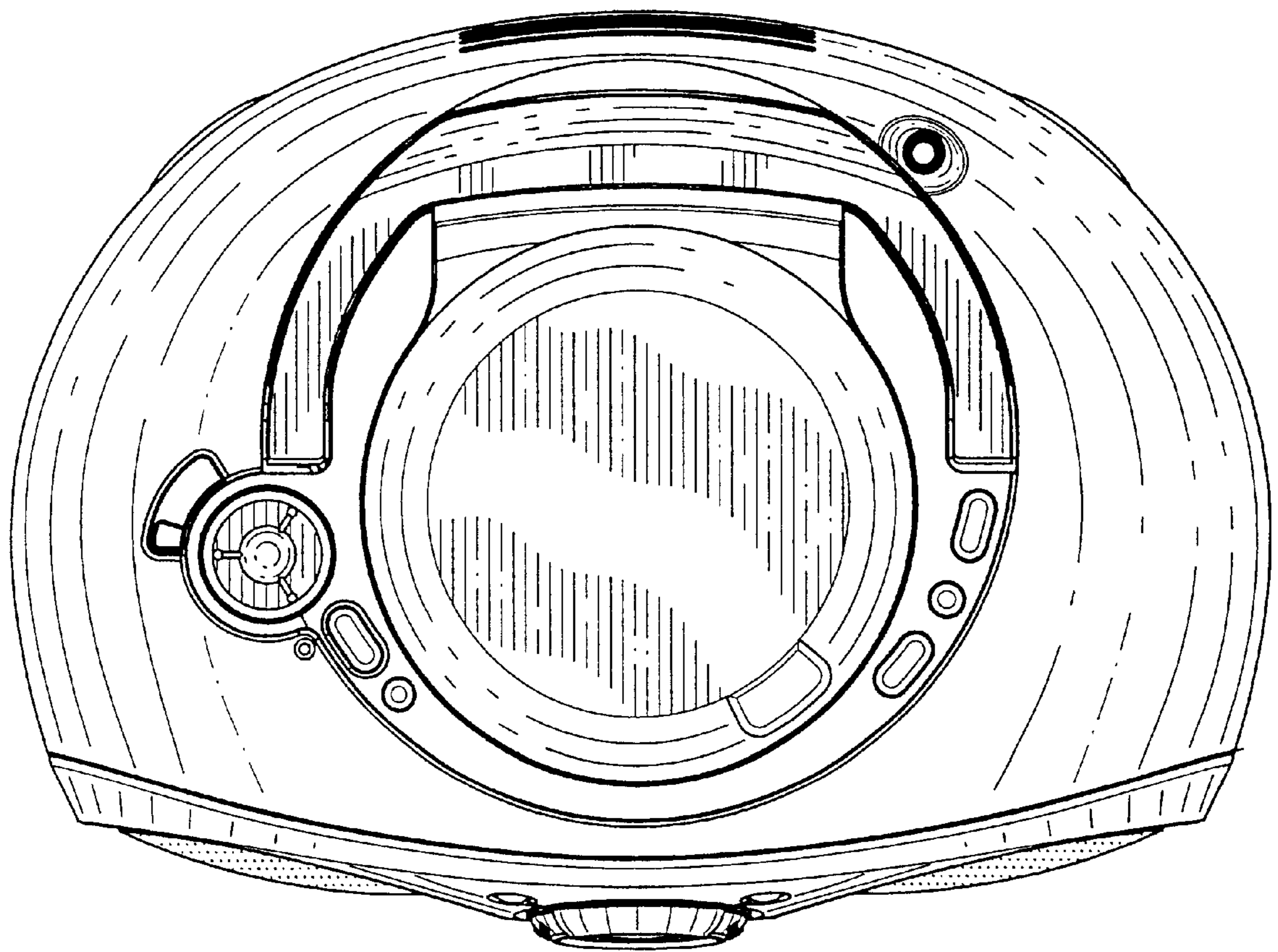


FIG. 6

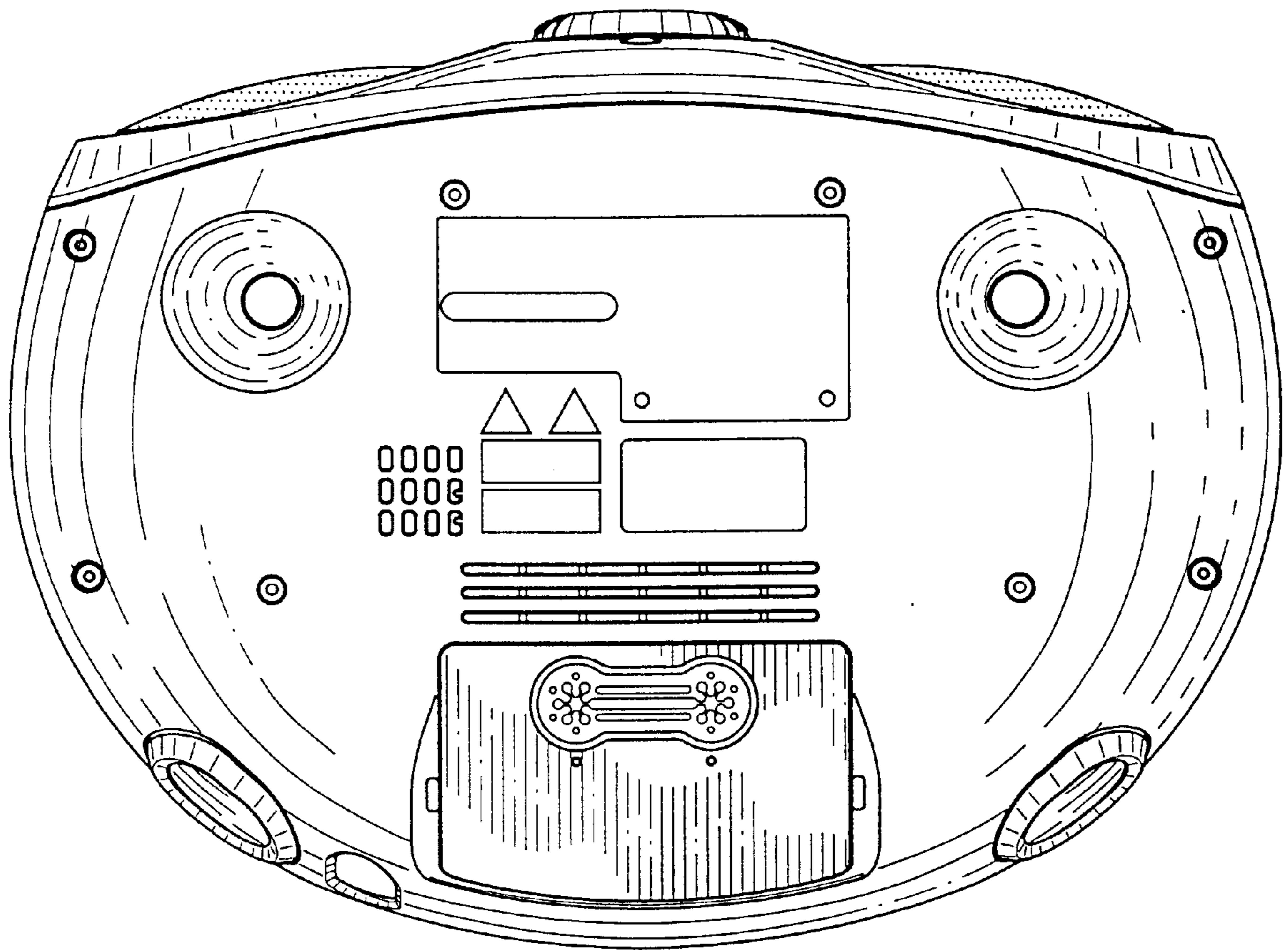


FIG. 7