



US00D451486B1

(12) **United States Design Patent**  
**Sekiguchi**

(10) **Patent No.:** **US D451,486 S**

(45) **Date of Patent:** **\*\* Dec. 4, 2001**

(54) **TELEPHONE**

(75) **Inventor:** **Akira Sekiguchi, Tokyo (JP)**

(73) **Assignee:** **Iwatsu Electric Co., Ltd., Tokyo (JP)**

(\*\*) **Term:** **14 Years**

(21) **Appl. No.:** **29/132,369**

(22) **Filed:** **Nov. 8, 2000**

(30) **Foreign Application Priority Data**

Jul. 18, 2000 (JP) ..... 12-019712

(51) **LOC (7) Cl.** ..... **14-03**

(52) **U.S. Cl.** ..... **D14/151**

(58) **Field of Search** ..... D14/137, 138,  
D14/148, 147, 149-151, 140-142, 240,  
241, 329, 330, 130; D13/108; 379/433-436,  
419, 420, 428, 440; 348/14.01, 14.02

(56) **References Cited**

**U.S. PATENT DOCUMENTS**

D. 282,545	*	2/1986	Inagi et al.	.....	D14/151
D. 294,023	*	2/1988	Sekiguchi et al.	.....	D14/151
D. 303,798	*	10/1989	Yamakawa	.....	D14/151
D. 307,009	*	4/1990	Boykiw	.....	D14/151
D. 312,459	*	11/1990	Oshima et al.	.....	D14/151
D. 319,642	*	9/1991	Ando	.....	D14/151
D. 321,872	*	11/1991	Ando	.....	D14/151
D. 332,786	*	1/1993	Gagnon	.....	D14/142
D. 344,517	*	2/1994	Toh et al.	.....	D14/151
D. 348,670	*	7/1994	Yoneyama	.....	D14/151
D. 352,943	*	11/1994	Weidinger	.....	D14/151
D. 357,013	*	4/1995	Yoneyama	.....	D14/151
D. 368,090	*	3/1996	Zeitman	.....	D14/151

D. 368,091	*	3/1996	Yoshihiko et al.	.....	D14/151
D. 406,842	*	3/1999	Zeitman	.....	D14/151
D. 412,171	*	7/1999	Girardi et al.	.....	D14/151
D. 413,120	*	8/1999	Girardi et al.	.....	D14/151
D. 431,540	*	10/2000	Morisue et al.	.....	D14/151
D. 438,189	*	2/2001	Korby et al.	.....	D14/151
5,086,466	*	2/1992	Gumb et al.	.....	379/440
5,121,427	*	6/1992	Gumb et al.	.....	379/435
6,088,447	*	7/2000	Aggus et al.	.....	379/428

\* cited by examiner

*Primary Examiner*—Jeffrey Asch

(74) *Attorney, Agent, or Firm*—Birch, Stewart, Kolasch & Birch, LLP

(57) **CLAIM**

The ornamental design for a telephone, as shown and described.

**DESCRIPTION**

FIG. 1 is a front view of a telephone embodying my new design;

FIG. 2 is a rear view thereof;

FIG. 3 is a right side view thereof;

FIG. 4 is a left side view thereof;

FIG. 5 is a top view thereof;

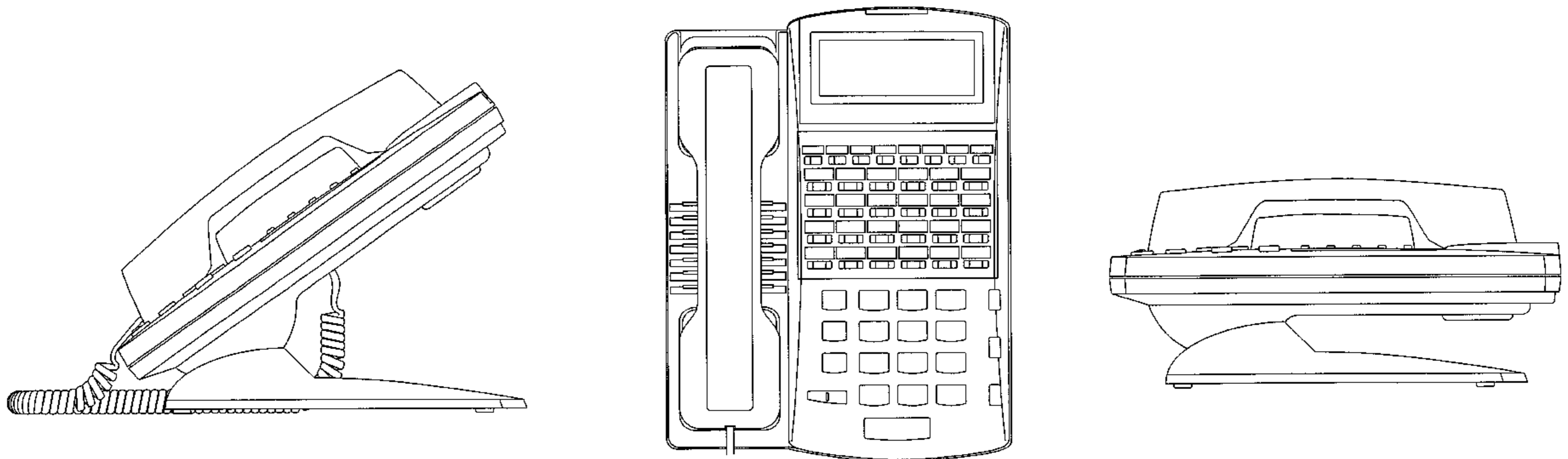
FIG. 6 is a bottom view thereof;

FIG. 7 is a top view of the telephone when a body of the telephone is in parallel to a base thereof as shown in FIG. 8; and,

FIG. 8 is a right side view of the telephone when the body is in parallel to the base.

The telephone cord has been omitted from FIGS. 7 and 8 for convenience of illustration.

**1 Claim, 5 Drawing Sheets**



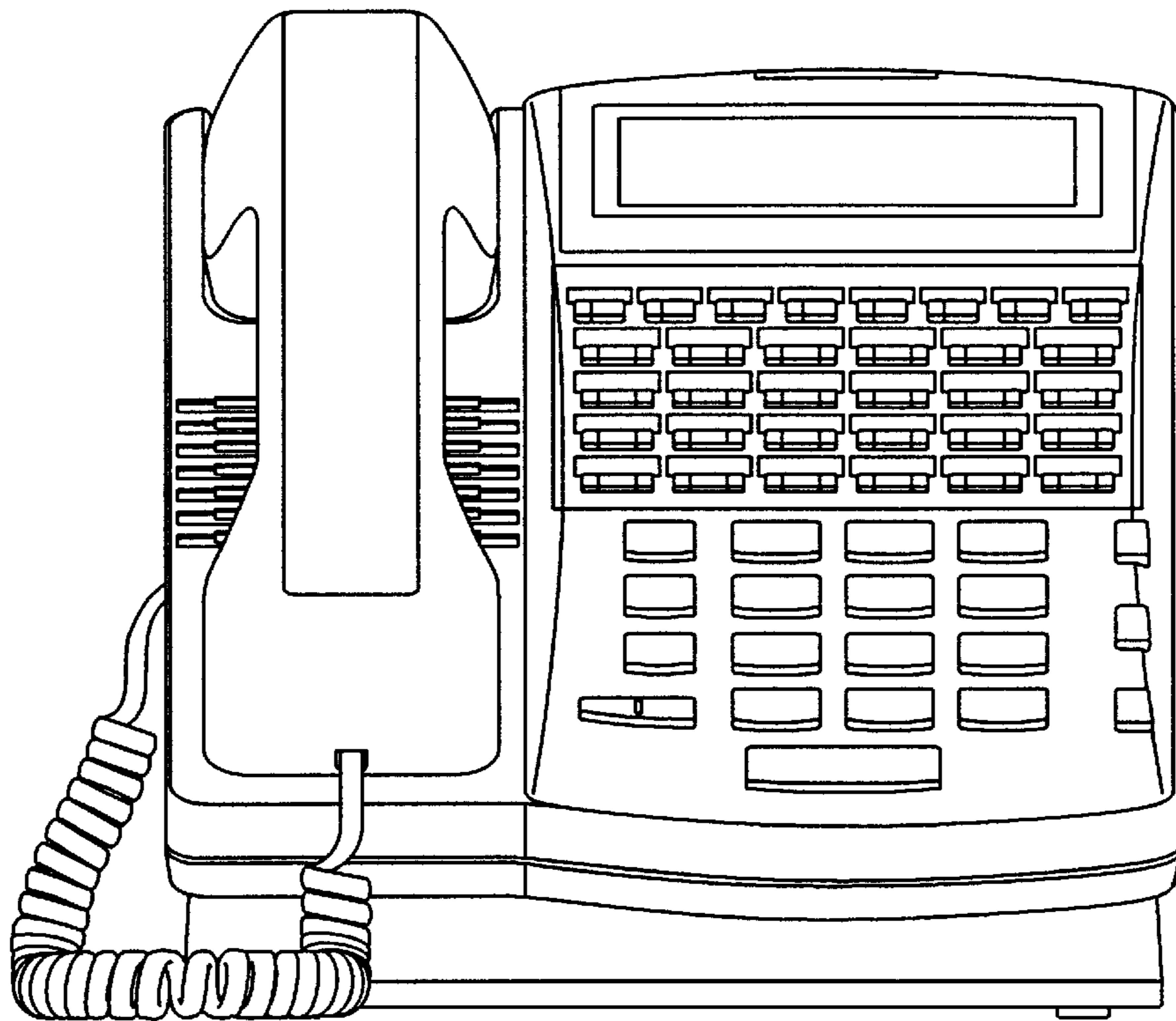


FIG. 1

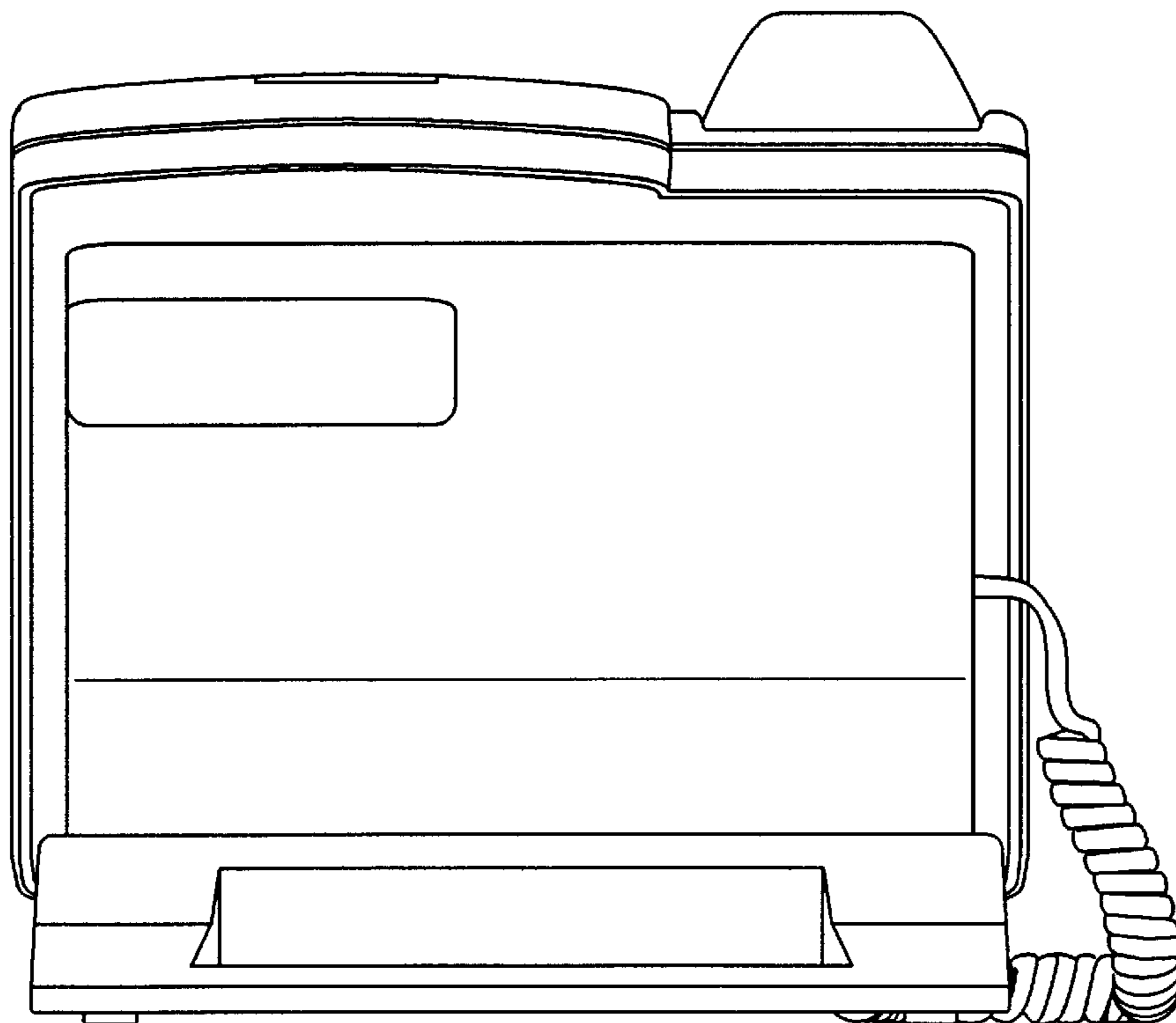


FIG. 2

FIG. 3

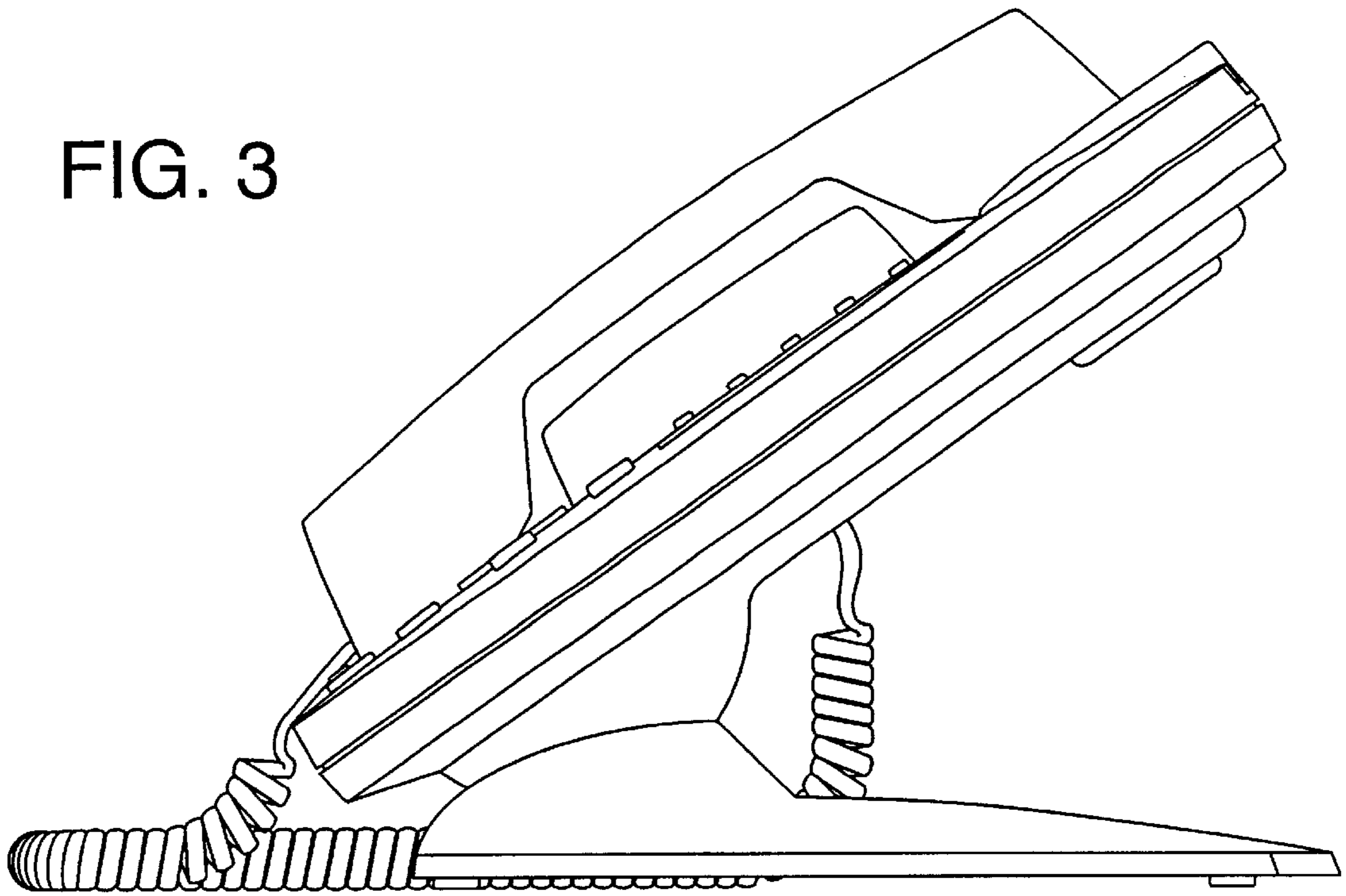
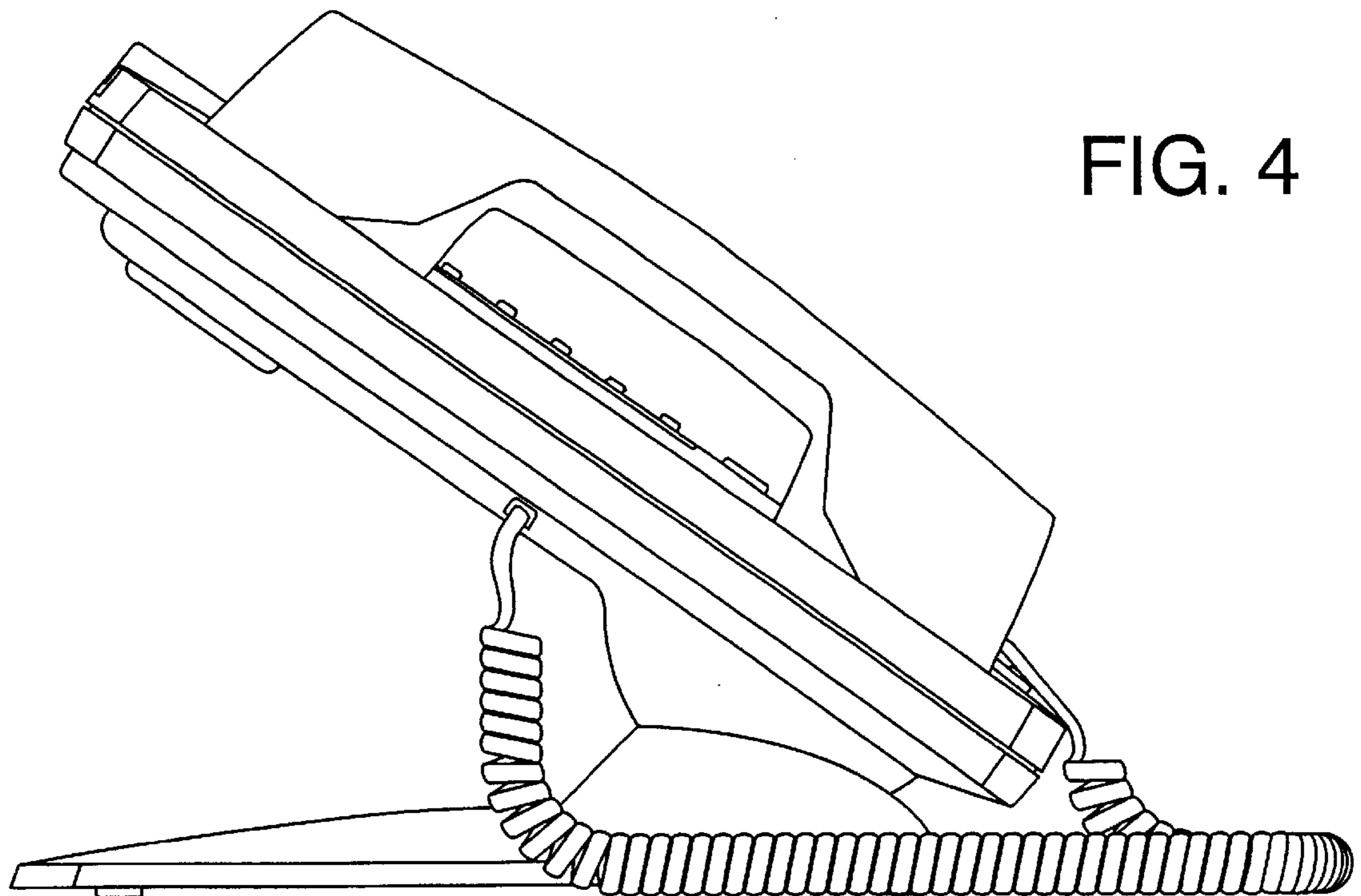


FIG. 4



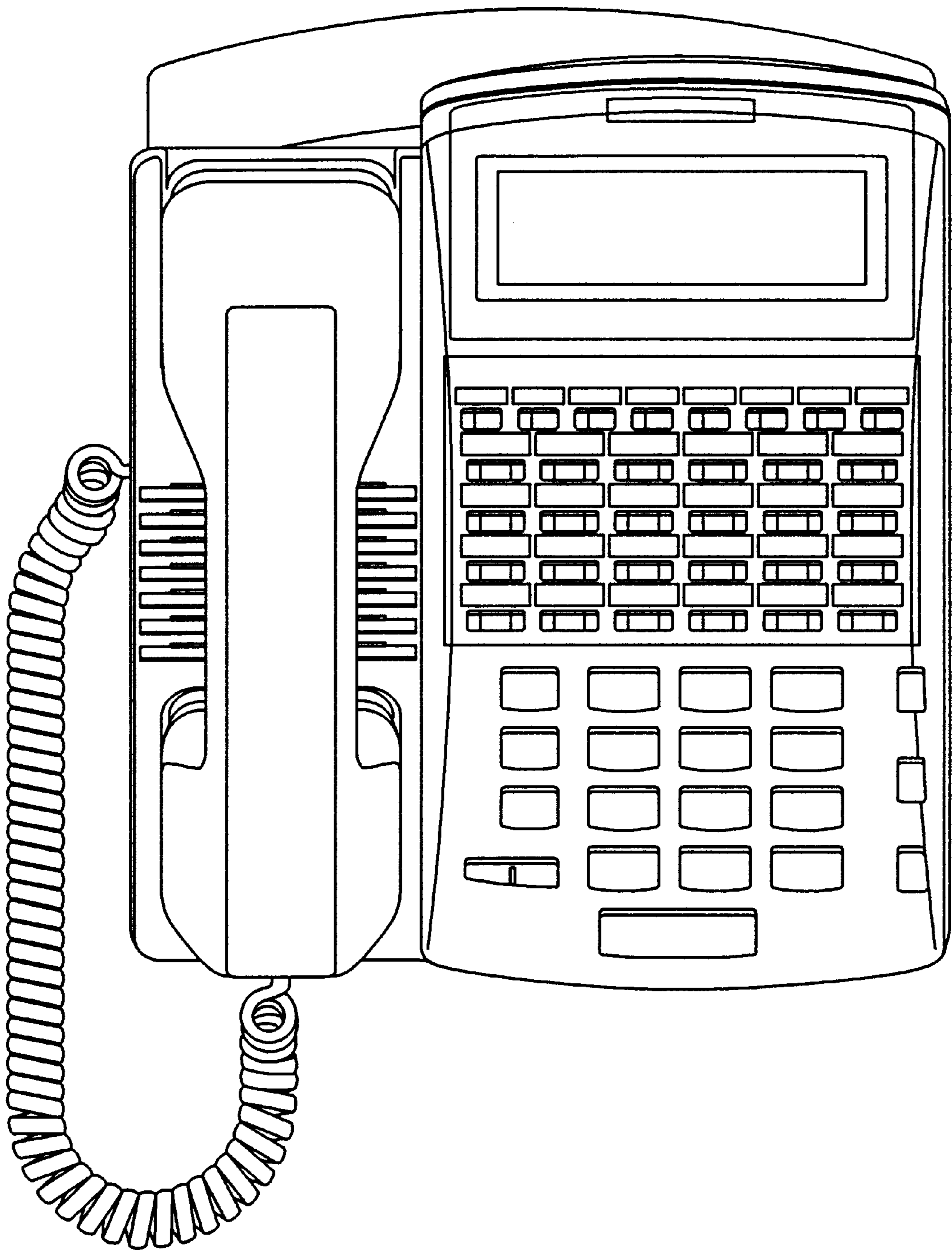


FIG. 5



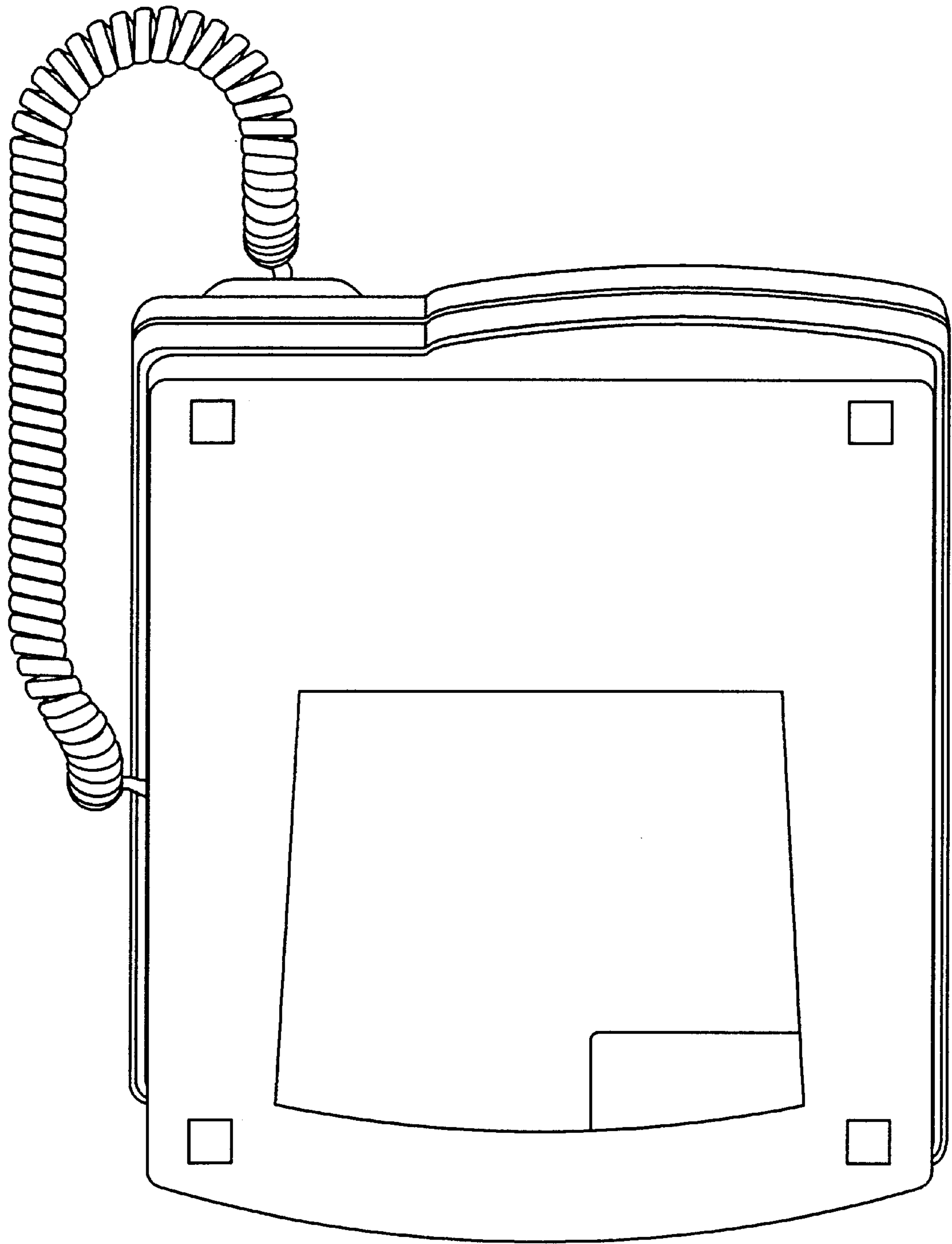


FIG. 6

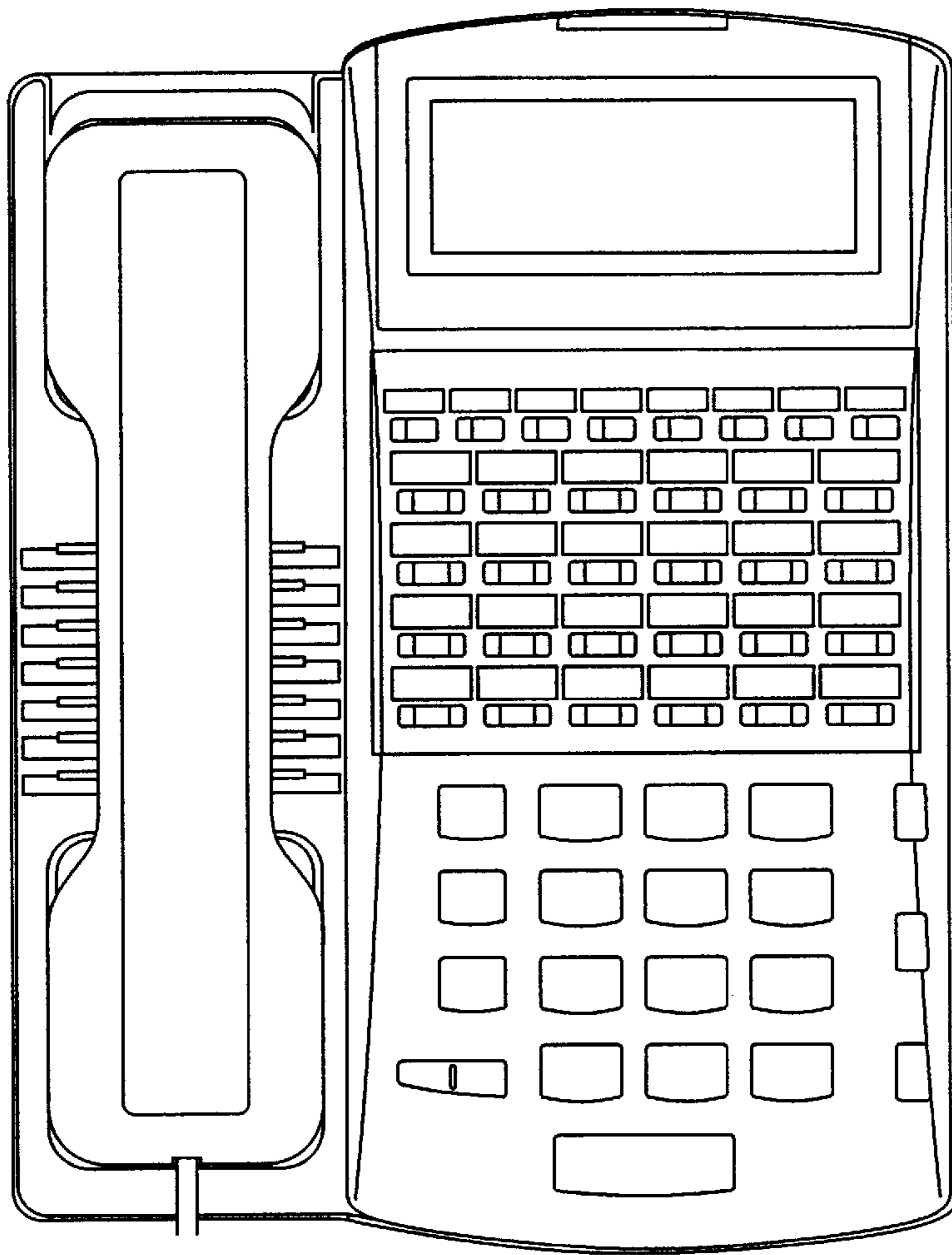


FIG. 7

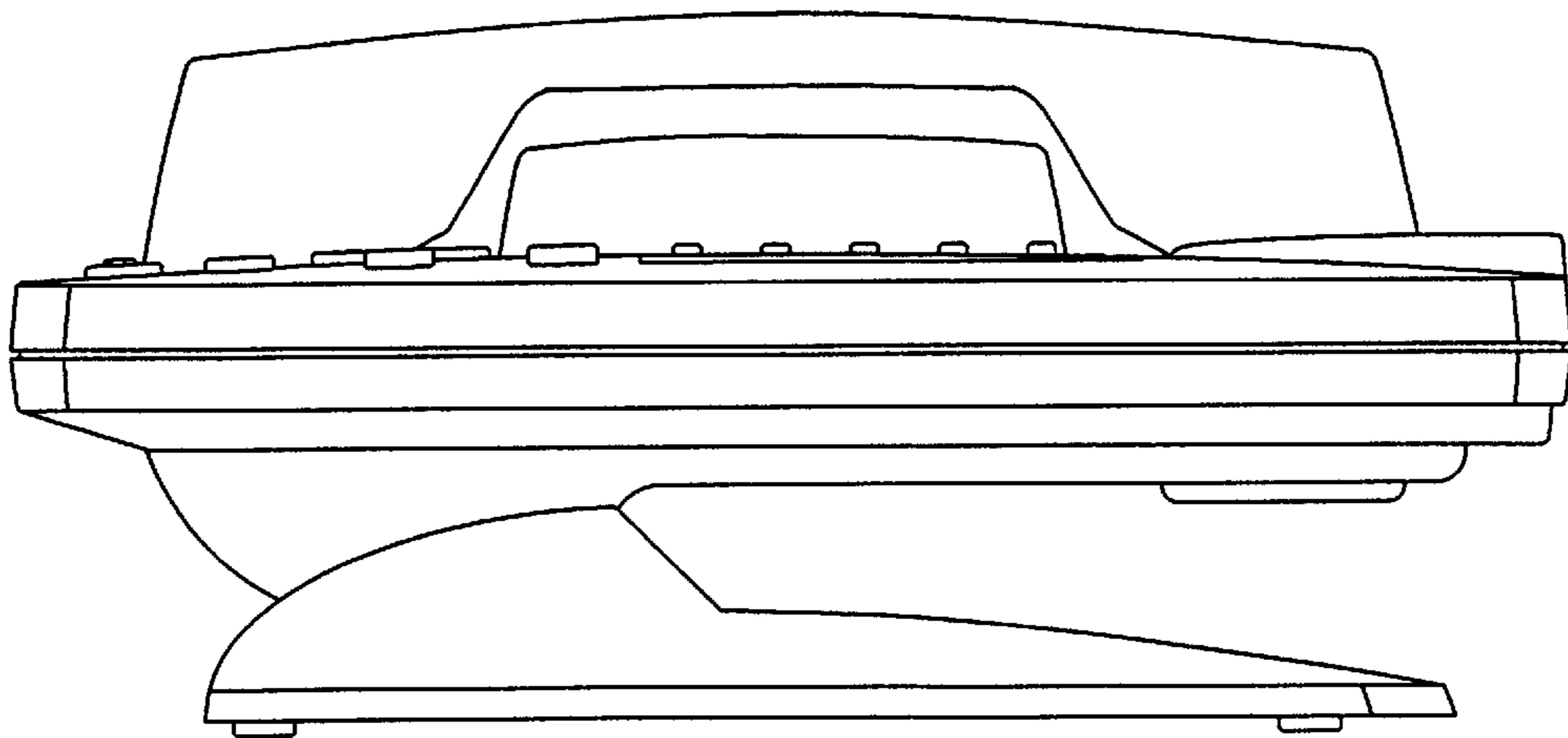


FIG. 8