



US00D451481B1

(12) **United States Design Patent**
MacKay

(10) **Patent No.:** **US D451,481 S**

(45) **Date of Patent:** **** Dec. 4, 2001**

(54) **GROUND FAULT CIRCUIT INTERRUPTER**

5,585,992 * 12/1996 Wu 361/45

(75) Inventor: **Peter MacKay**, Warwick, RI (US)

* cited by examiner

(73) Assignee: **Tower Manufacturing Corporation**,
Providence, RI (US)

Primary Examiner—Brian N. Vinson

(74) *Attorney, Agent, or Firm*—Kriegsman & Kriegsman

(**) Term: **14 Years**

(57) **CLAIM**

(21) Appl. No.: **29/126,154**

The ornamental design for a ground fault circuit interrupter,
as shown and described.

(22) Filed: **Jul. 10, 2000**

DESCRIPTION

(51) **LOC (7) Cl.** **13-03**

(52) **U.S. Cl.** **D13/160**

(58) **Field of Search** D13/160, 158,
D13/138.2, 138.1; 174/65 R, 77 R, 92;
361/42, 45, 50

FIG. 1 is a rear perspective view of a ground fault circuit
interrupter showing my new design;

FIG. 2 is a front perspective view of the ground fault circuit
interrupter shown in FIG. 1;

FIG. 3 is a rear view of the ground fault circuit interrupter
shown in FIG. 1;

FIG. 4 is a left side view of the ground fault circuit
interrupter shown in FIG. 1;

FIG. 5 is a front view of the ground fault circuit interrupter
shown in FIG. 1;

FIG. 6 is a top view of the ground fault circuit interrupter
shown in FIG. 1; and,

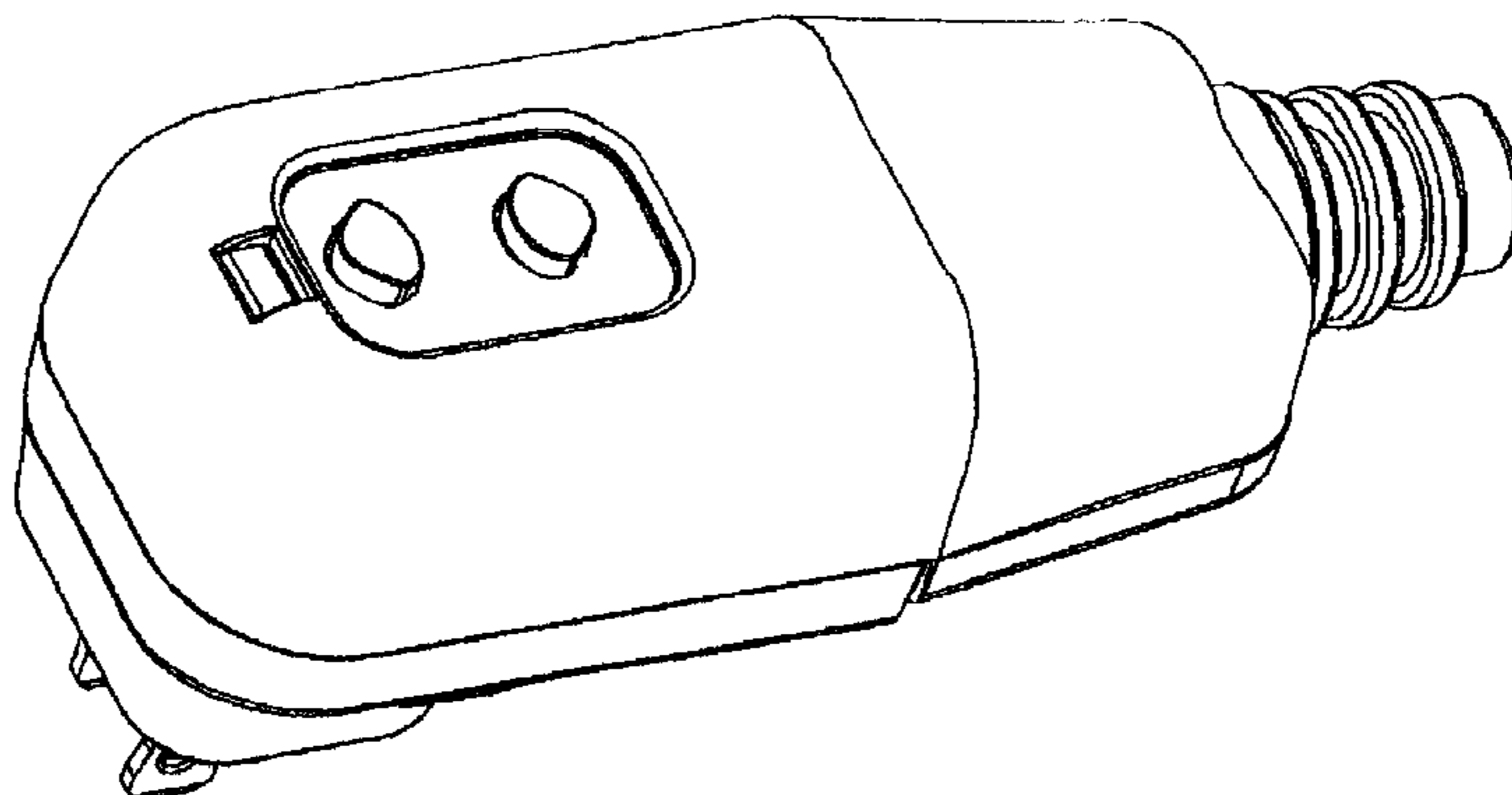
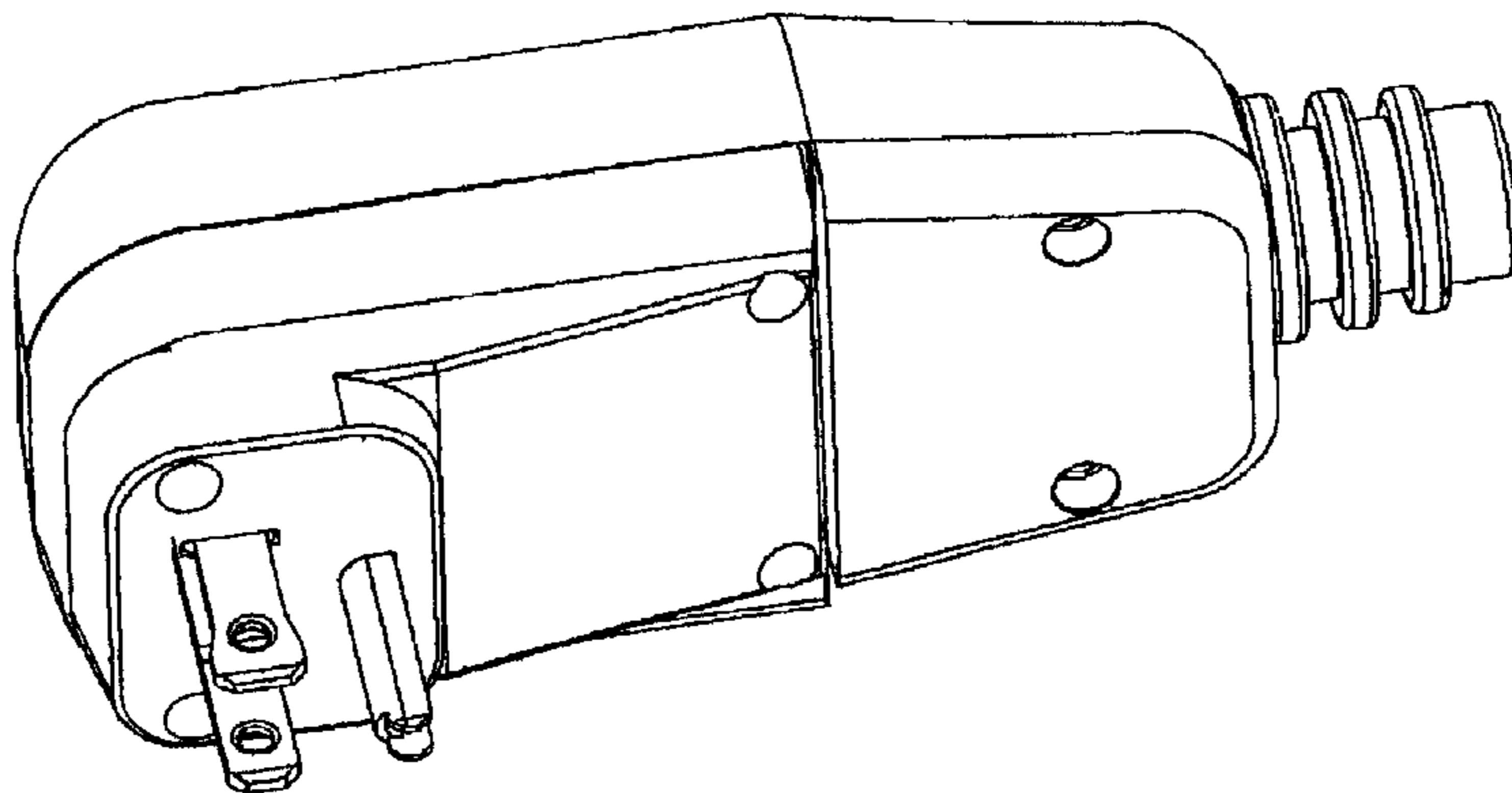
FIG. 7 is a bottom view of the ground fault circuit interrupter
shown in FIG. 1.

(56) **References Cited**

U.S. PATENT DOCUMENTS

D. 325,380	*	4/1992	Rao et al.	D13/160
D. 356,066	*	3/1995	Rao et al.	D13/160
D. 364,826	*	12/1995	Wu	D10/75
D. 391,922	*	3/1998	Aromin	D13/160
D. 414,747		10/1999	Aromin	.	
D. 418,482		1/2000	MacKay	.	
D. 434,010	*	11/2000	Stekelenburg	D13/160
5,198,955	*	3/1993	Willner	361/42

1 Claim, 2 Drawing Sheets



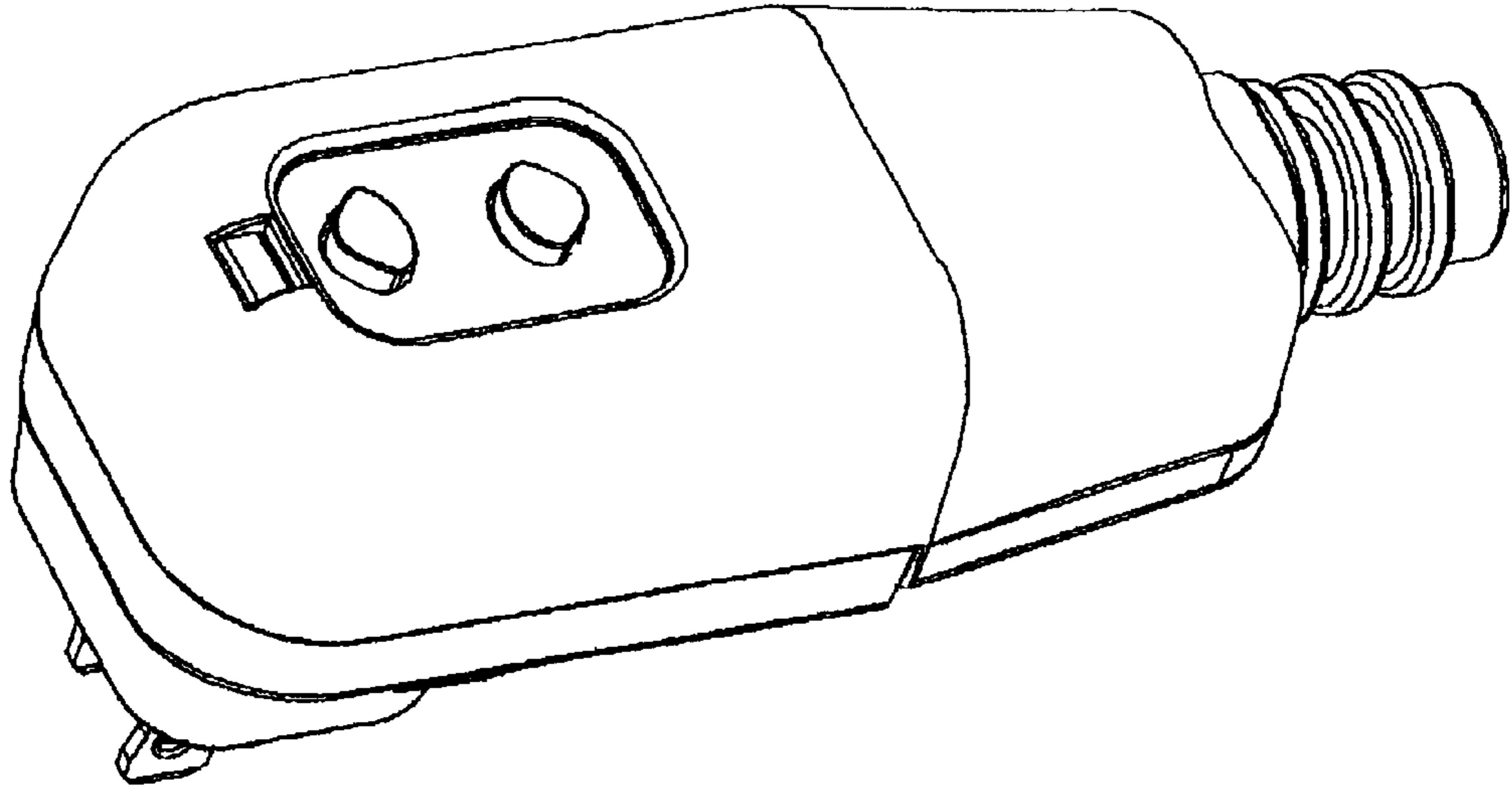


FIG 2

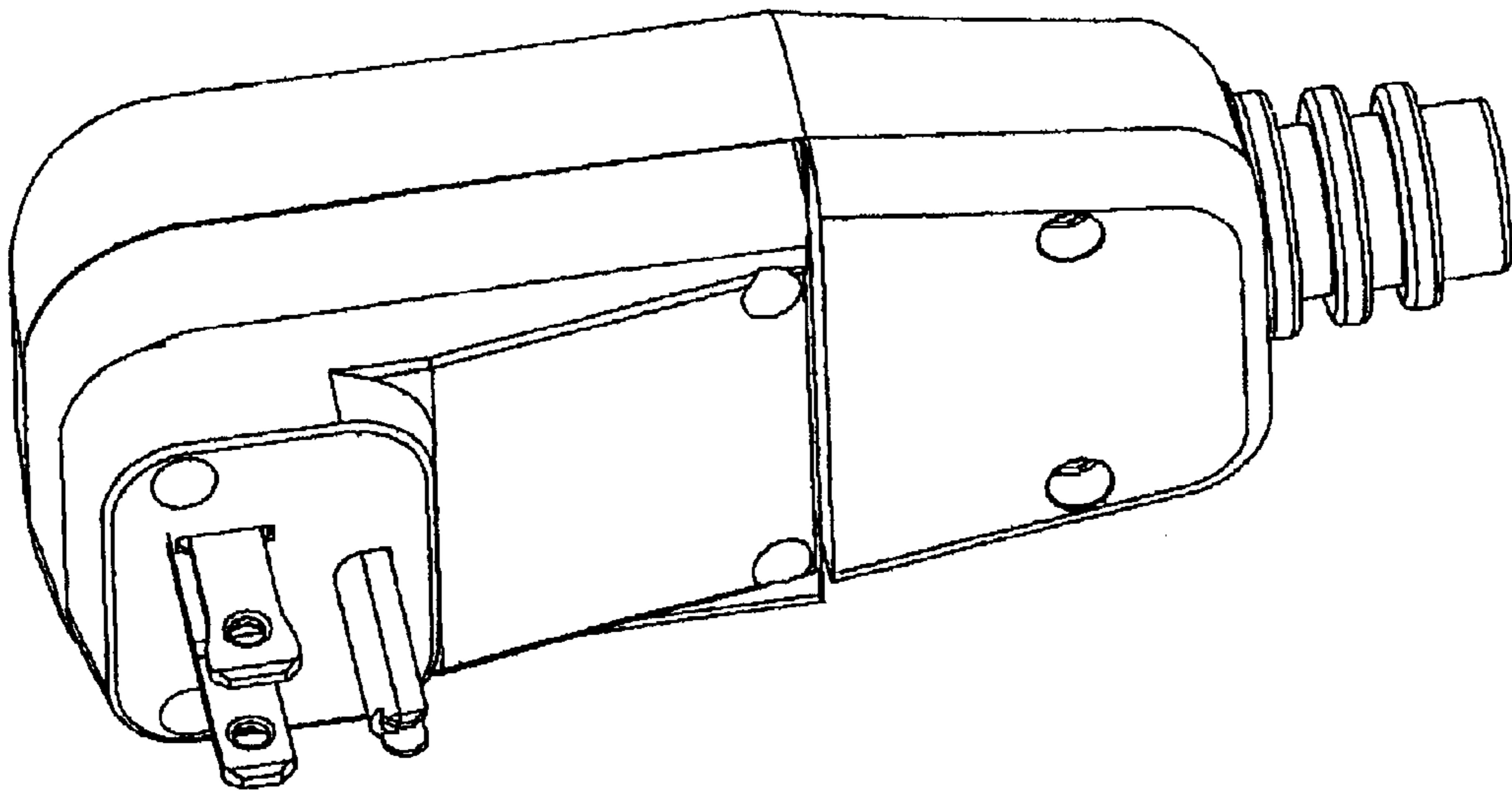


FIG 1

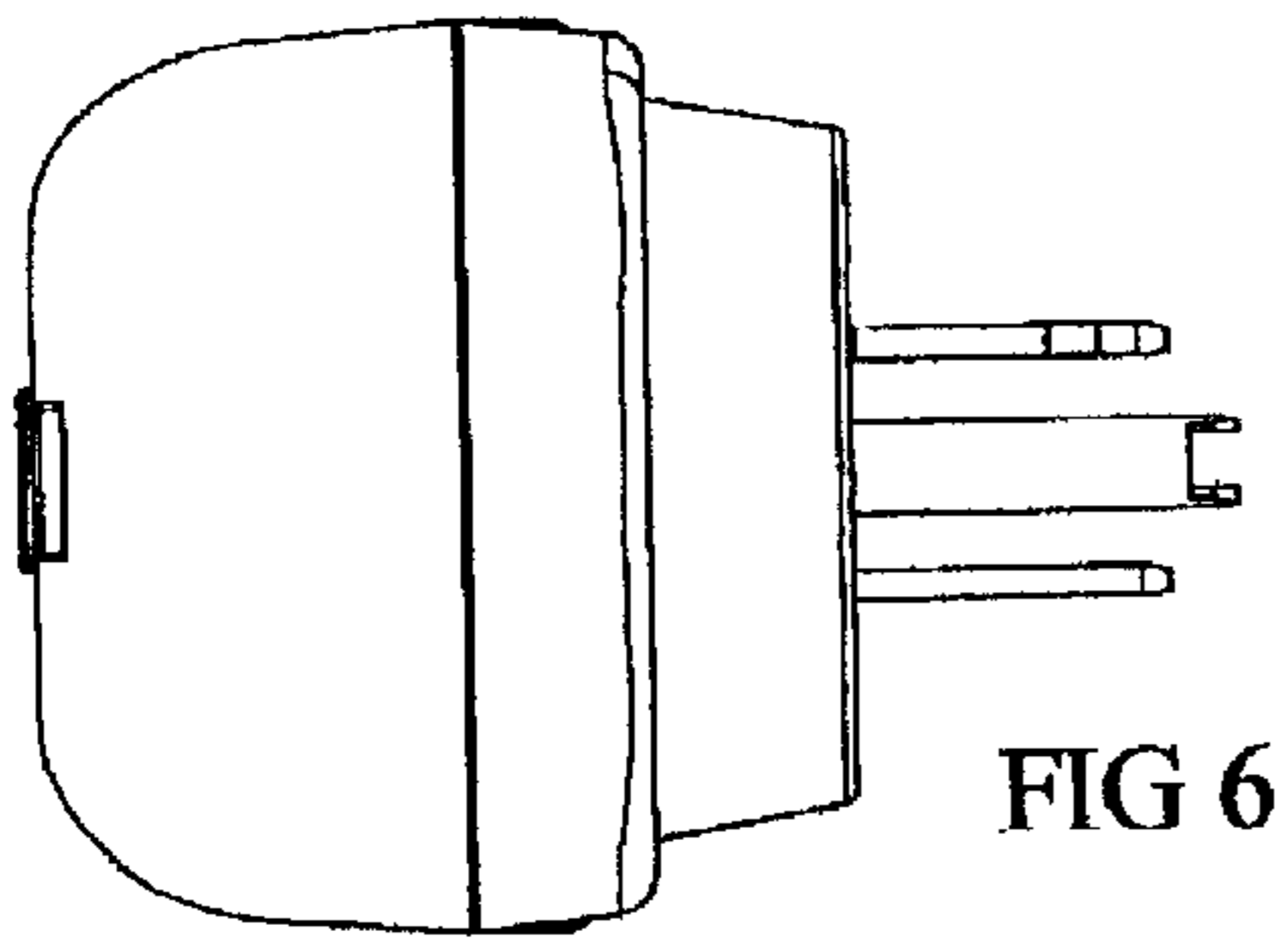


FIG 6

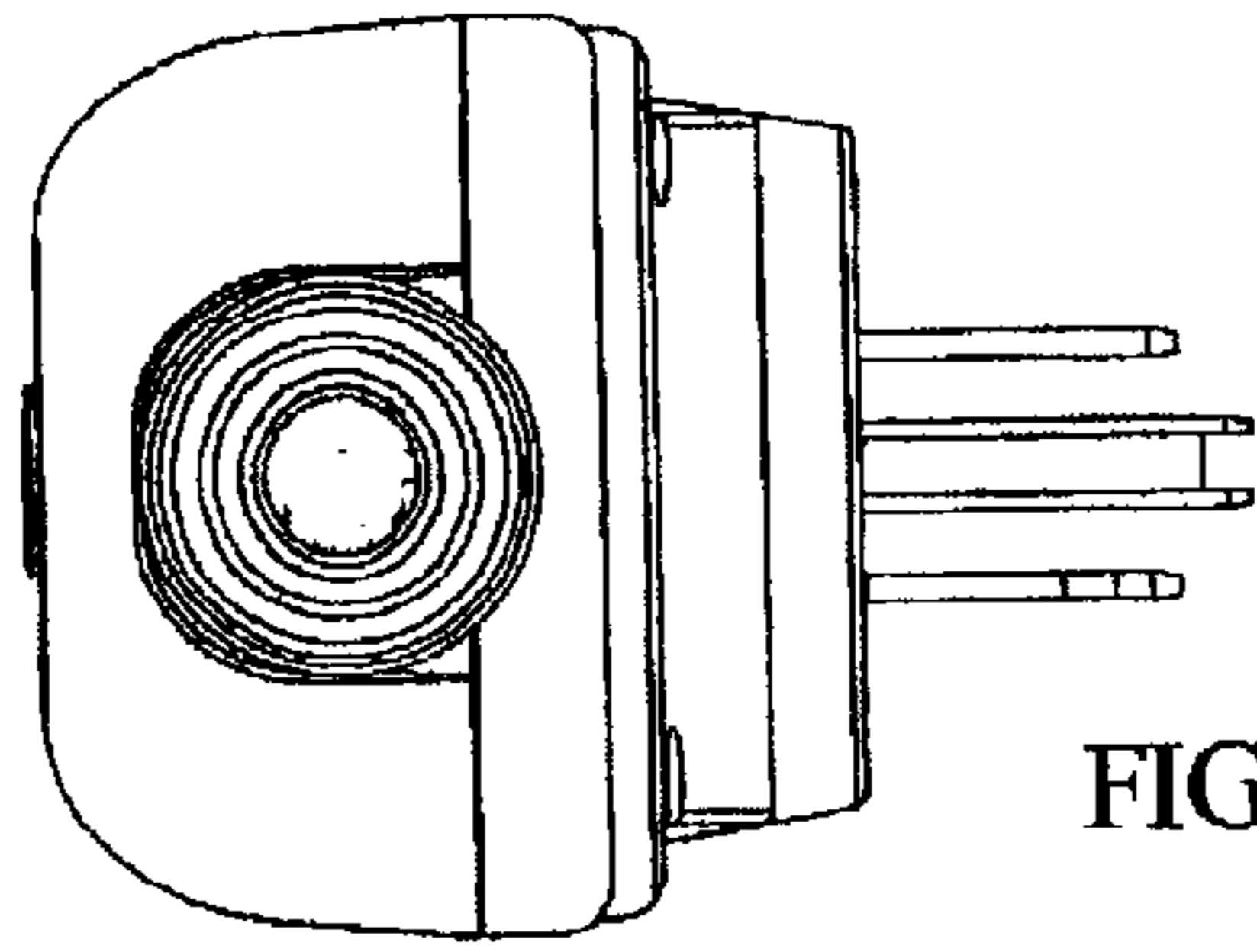


FIG 7

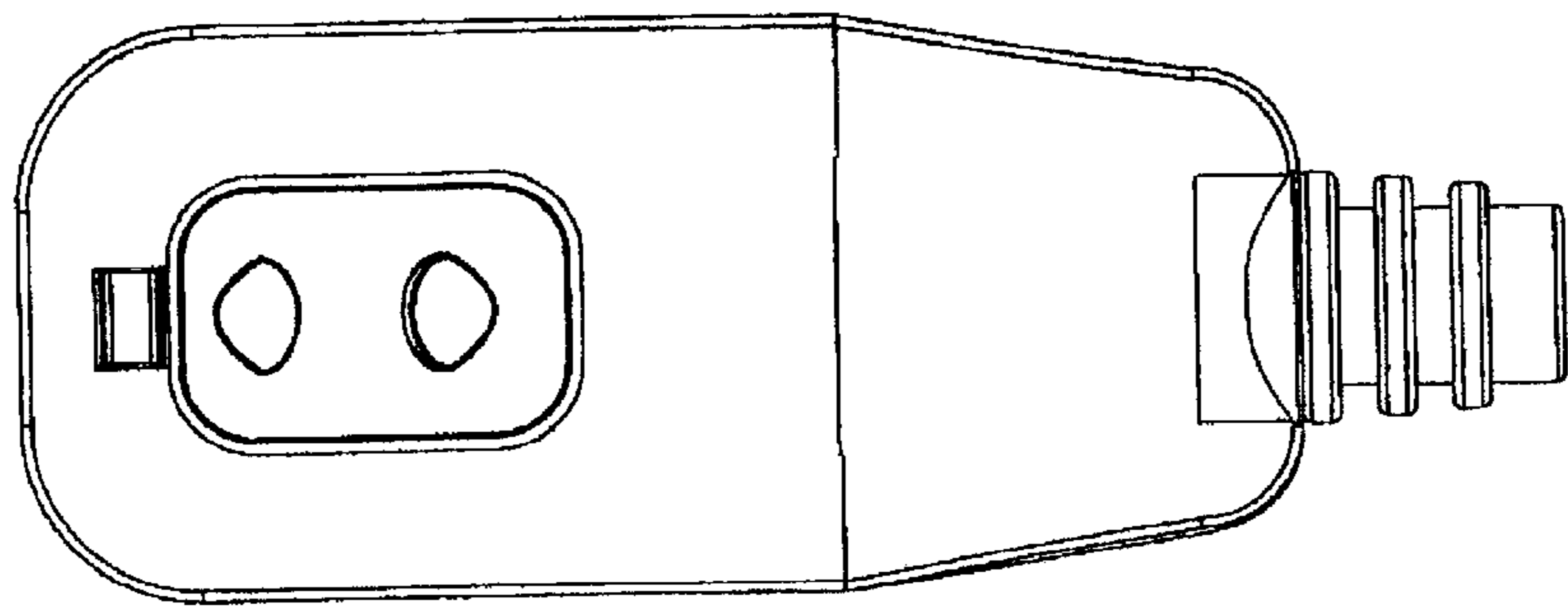


FIG 5

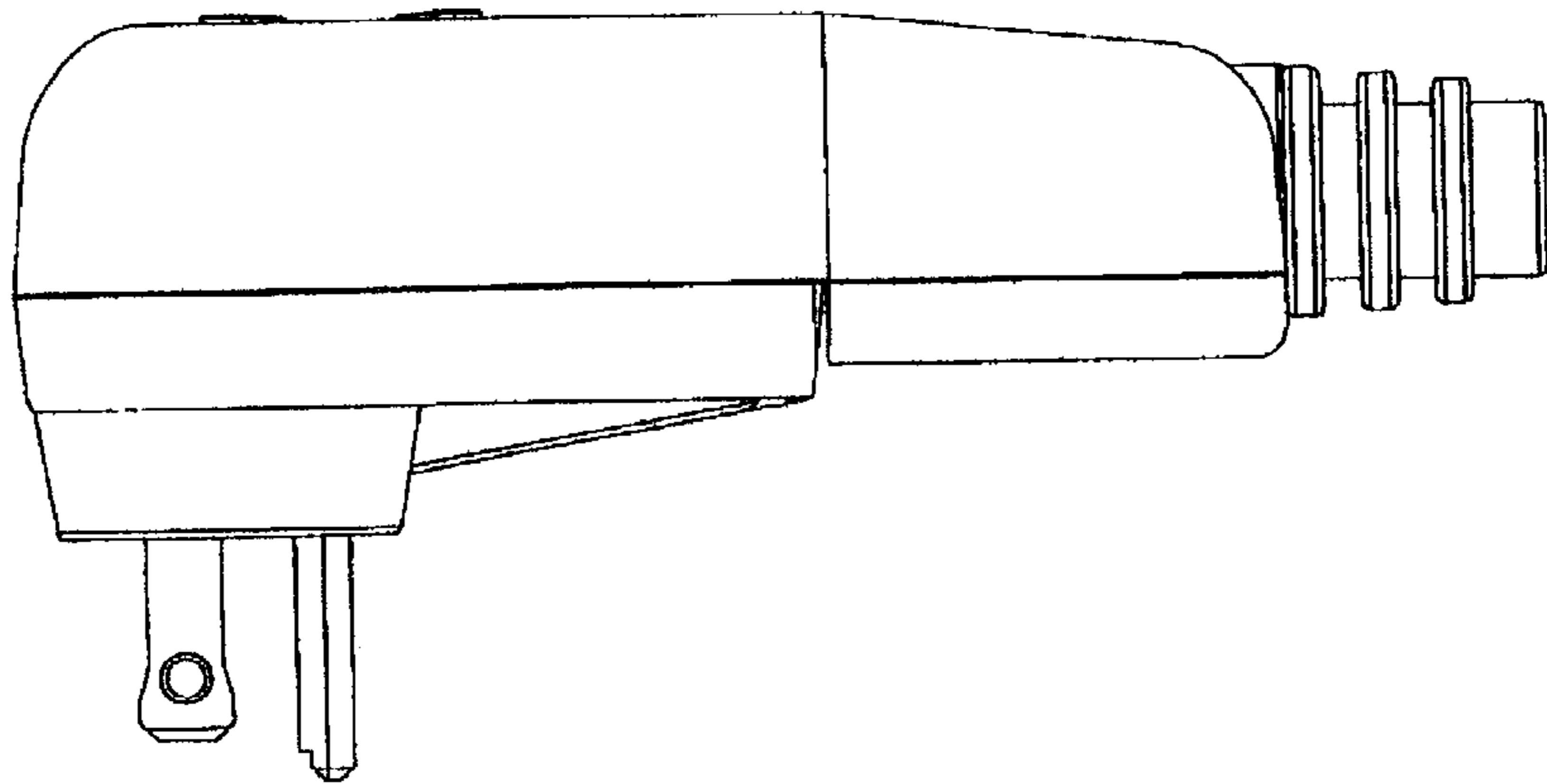


FIG 4

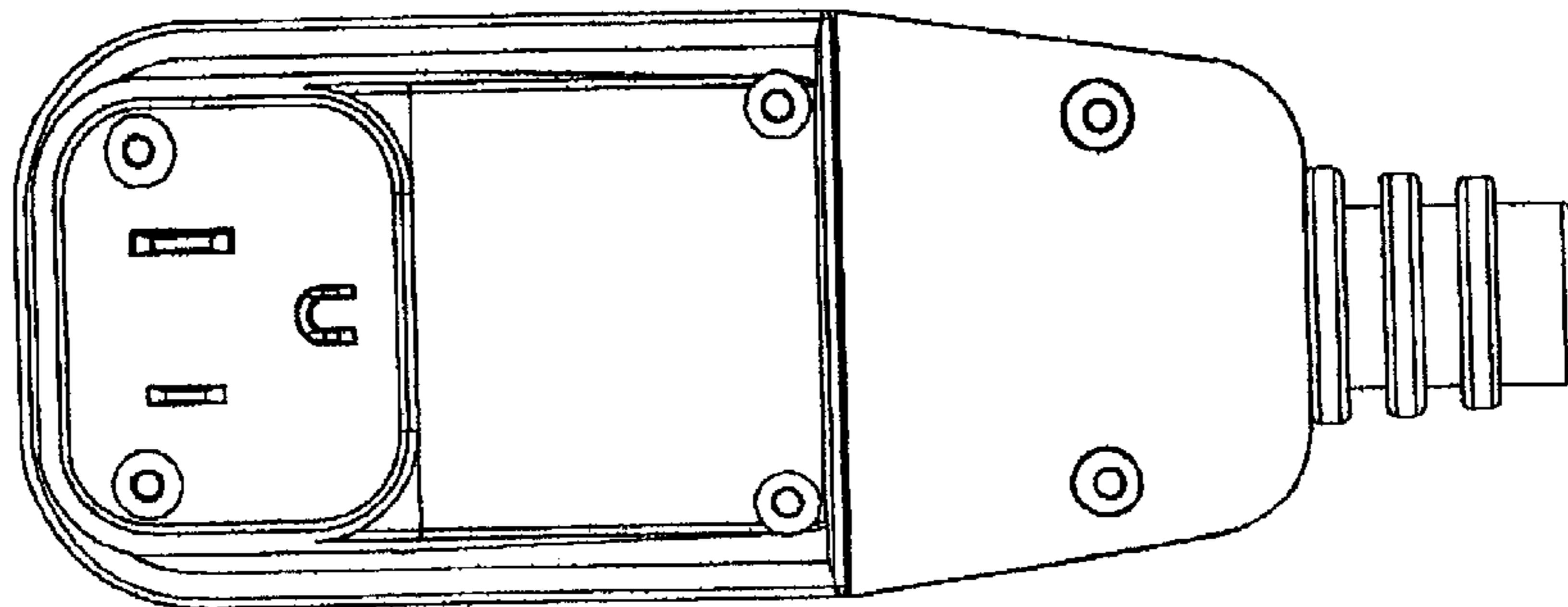


FIG 3