



US00D451478B1

(12) **United States Design Patent**
Ushio et al.

(10) **Patent No.:** **US D451,478 S**

(45) **Date of Patent:** **** Dec. 4, 2001**

(54) **CONNECTOR FOR PRINTED CIRCUIT
BOARDS**

5,205,755 * 4/1993 Douty et al. 439/247
5,228,865 * 7/1993 Douty et al. 439/247
5,358,413 * 10/1994 Daly et al. 439/79

(75) Inventors: **Kohei Ushio**, Hyogo; **Toshiaki Horii**,
Nara, both of (JP)

* cited by examiner

(73) Assignee: **J.S.T. Mfg. Co., Ltd.**, Osaka (JP)

Primary Examiner—Joel Sincavage

(**) Term: **14 Years**

(74) *Attorney, Agent, or Firm*—Antonelli, Terry, Stout &
Kraus, LLP

(21) Appl. No.: **29/142,006**

(22) Filed: **May 18, 2001**

(30) **Foreign Application Priority Data**

Nov. 30, 2000 (JP) 12-034201

(51) **LOC (7) Cl.** **13-03**

(52) **U.S. Cl.** **D13/147**

(58) **Field of Search** D13/146, 147;
439/247, 378, 680, 74, 79, 83, 62

(56) **References Cited**

U.S. PATENT DOCUMENTS

D. 432,085 * 10/2000 Huang D13/147
D. 434,730 * 12/2000 Hwang D13/147
D. 435,018 * 12/2000 Hwang et al. D13/147
4,664,456 * 5/1987 Blair et al. 439/378 X
4,812,133 * 3/1989 Fleak et al. 439/248
5,080,604 * 1/1992 Rider et al. 439/680 X
5,197,896 * 3/1993 Landis et al. 439/247

(57) **CLAIM**

The ornamental design for a connector for printed circuit boards, as shown and described.

DESCRIPTION

FIG. 1 is a top plan view;
FIG. 2 is a front elevation;
FIG. 3 is a bottom plan view;
FIG. 4 is a right-side elevation;
FIG. 5 is a rear elevation; and,
FIG. 6 is a perspective view of the connector, wherein the left-side elevation thereof symmetrical with the right-side elevation is not included.

The present design is characterized in that the connector has a forward portion generally of a reversed-T shape in cross section and a rectangular rear portion that has eyes and formed integral with the forward portion, wherein one of the contacts extends along the top and the other contacts along the bottom of the insulated housing of the connector.

1 Claim, 2 Drawing Sheets

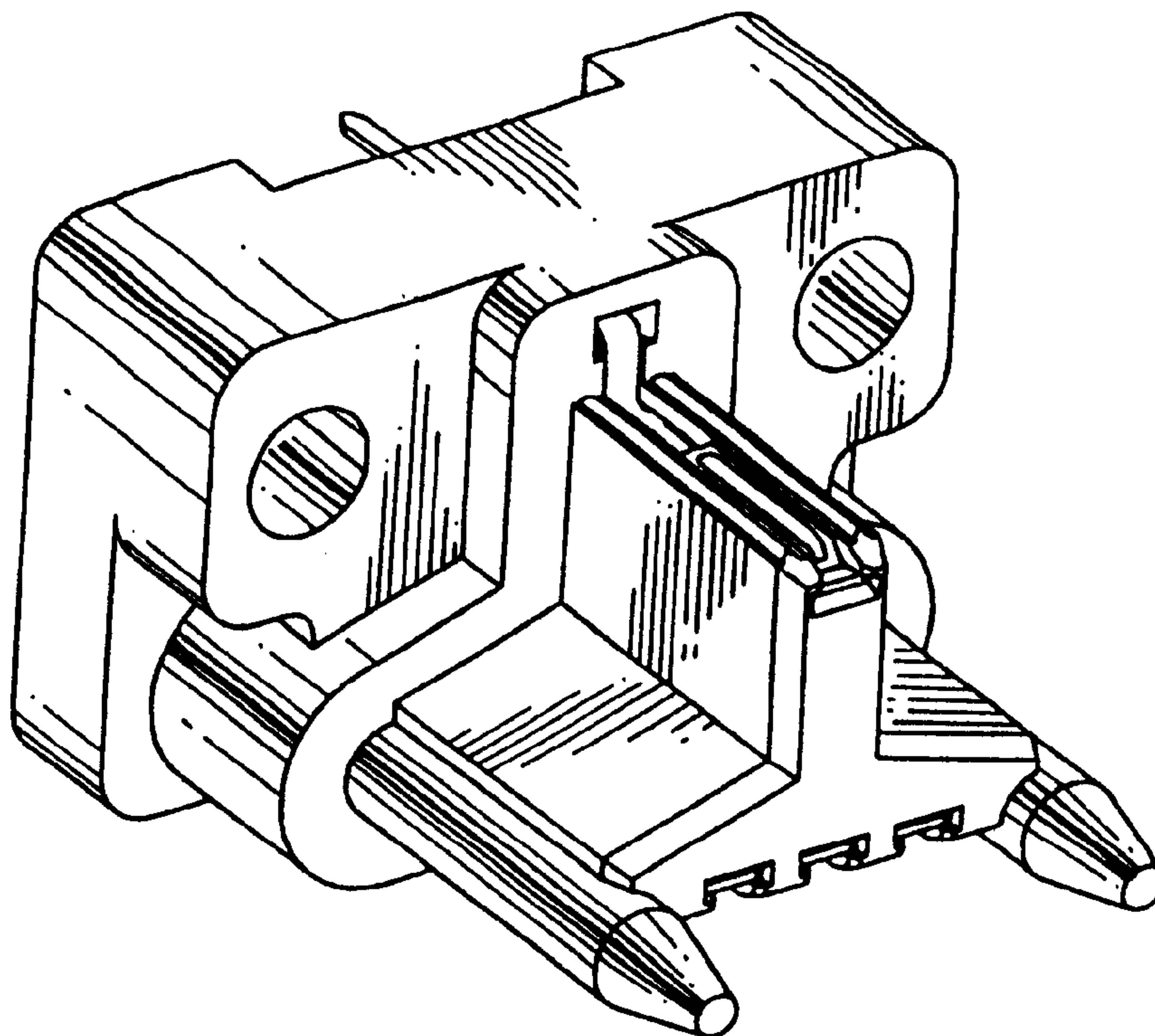


Fig. 1

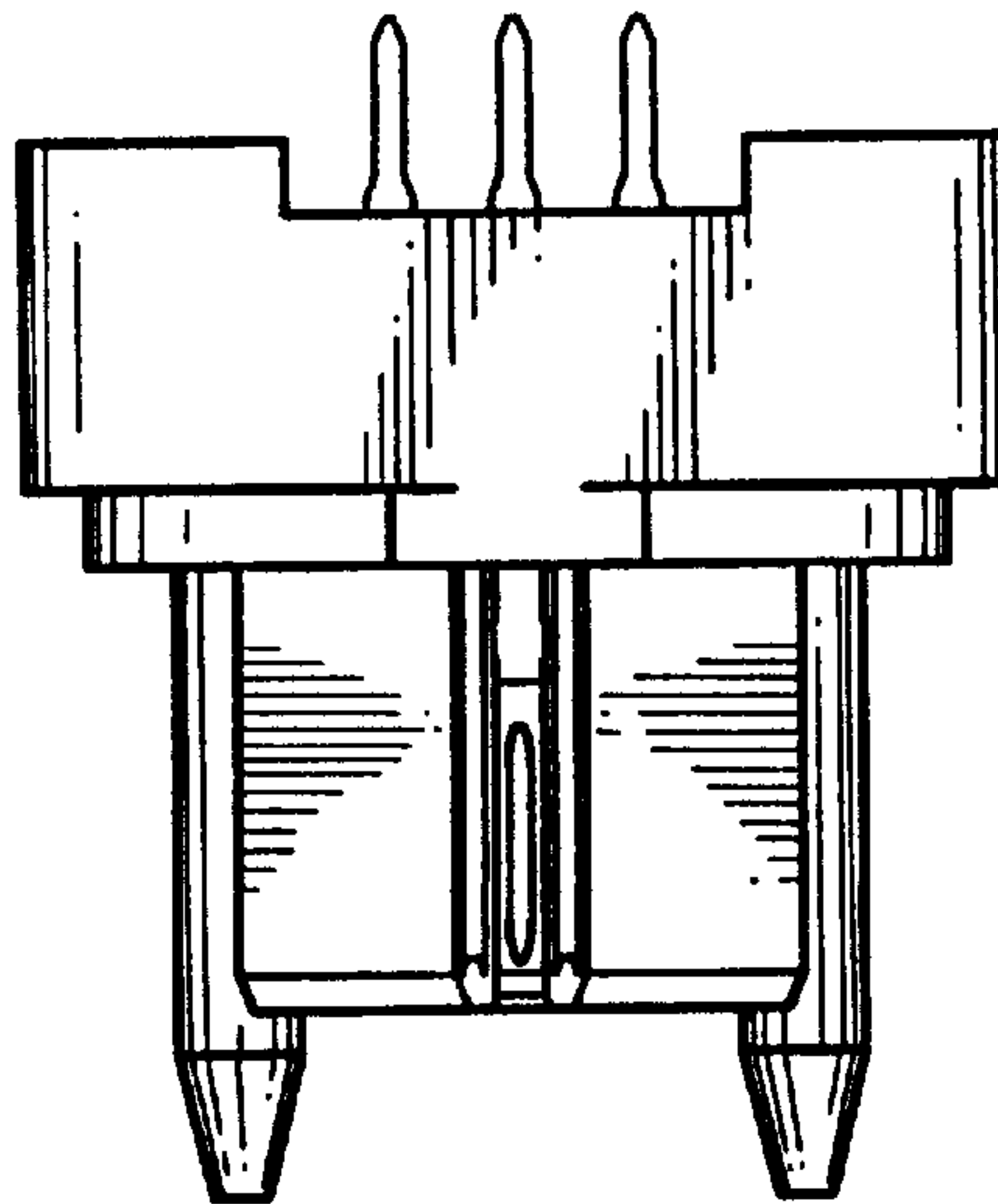


Fig. 2

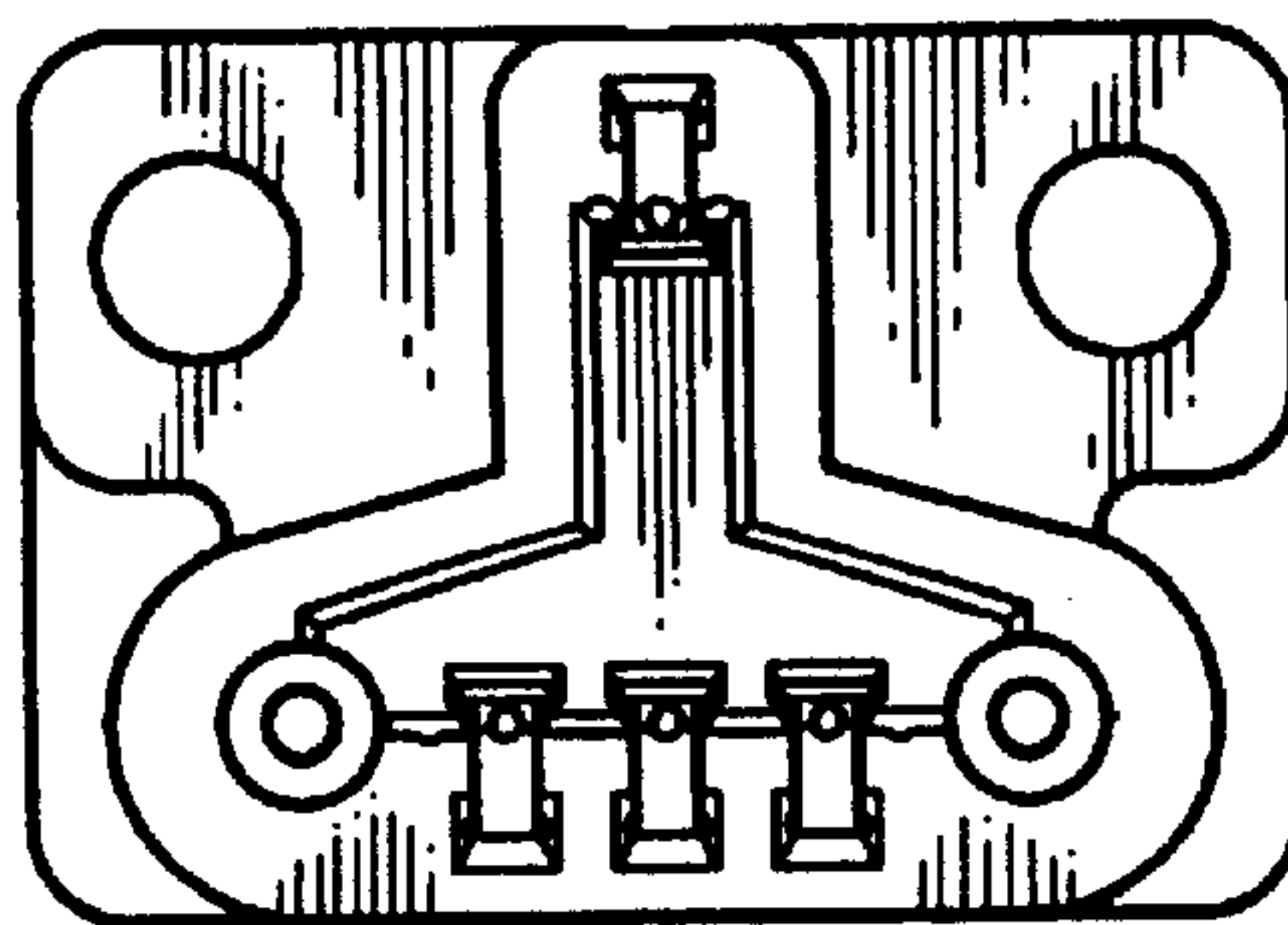


Fig. 3

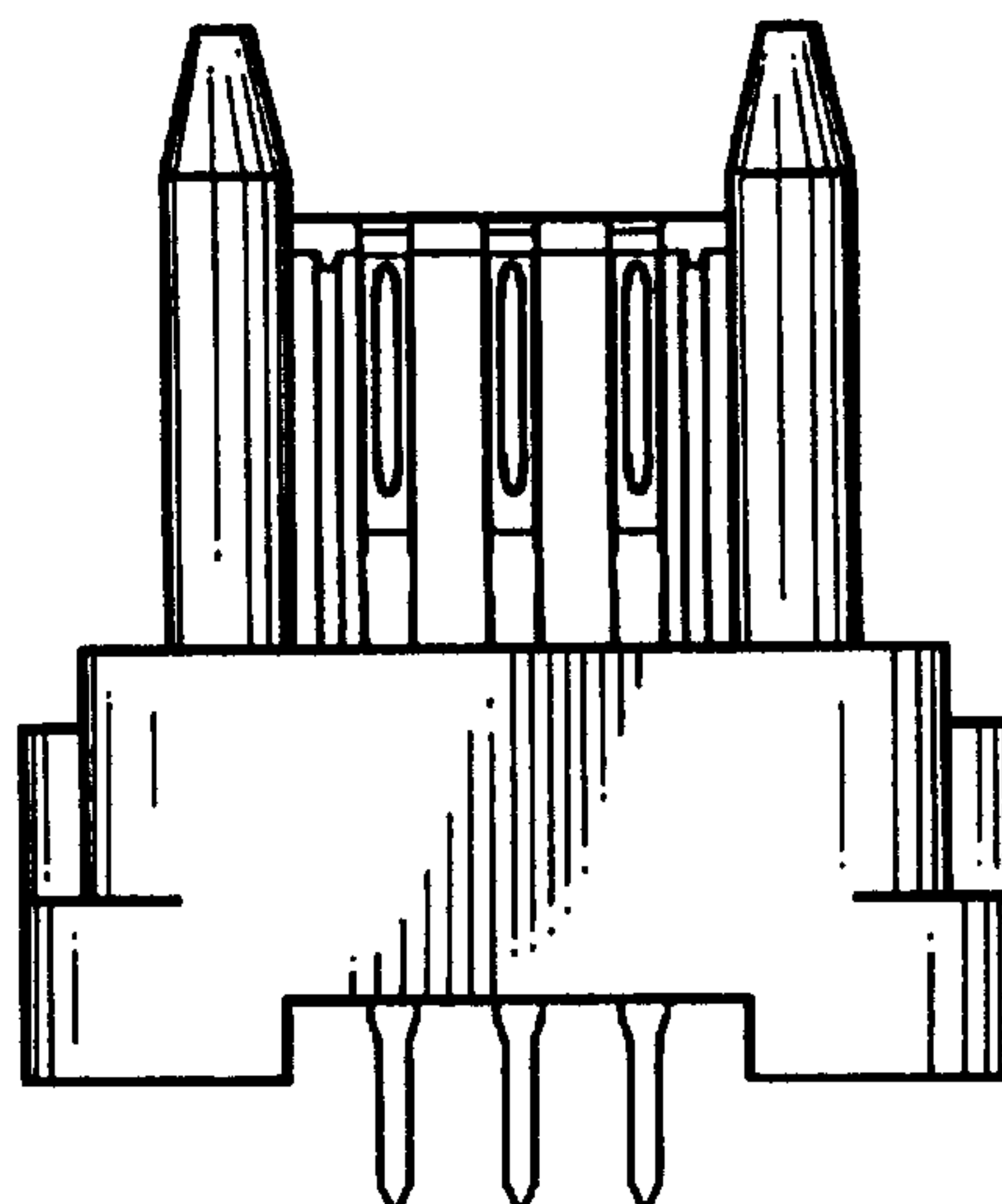


Fig. 4

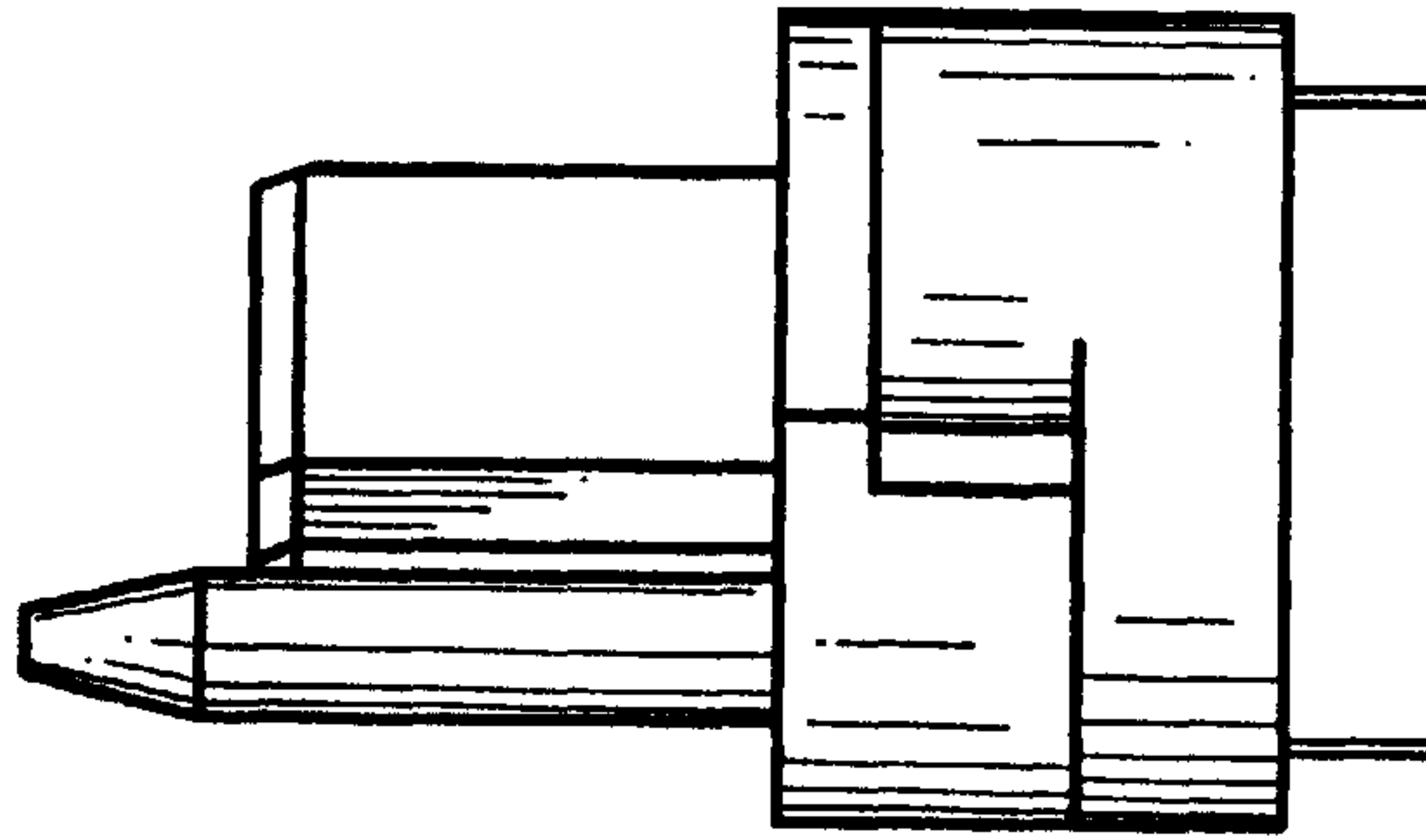


Fig. 5

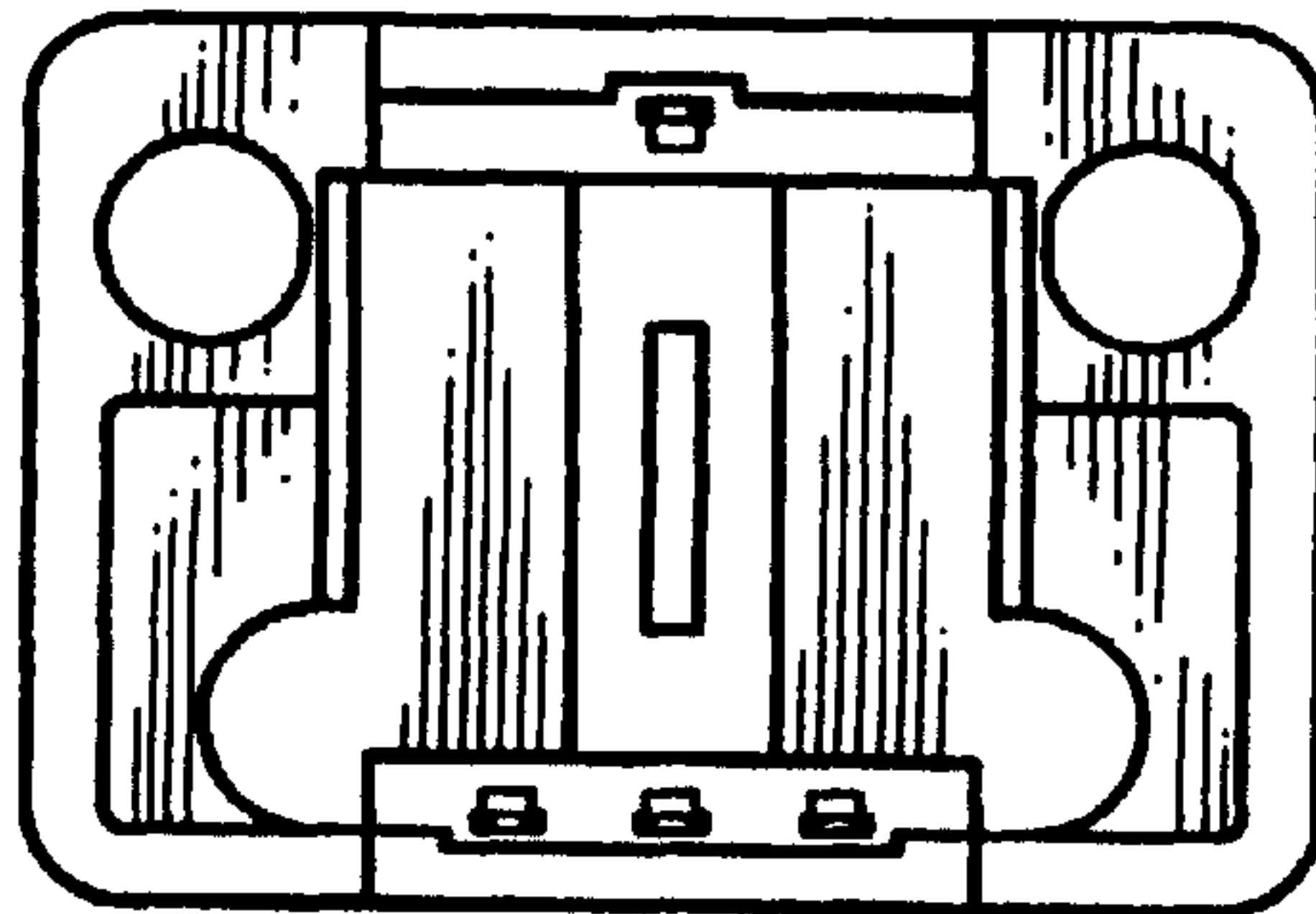


Fig. 6

