



US00D451475B1

(12) **United States Design Patent**
Shi et al.

(10) **Patent No.:** **US D451,475 S**

(45) **Date of Patent:** **** Dec. 4, 2001**

(54) **ELECTRICAL CONNECTOR**

(75) Inventors: **Guang Xing Shi; Wei Ya Cheng;**
Qiang Chen, all of Kunsan (CN)

(73) Assignee: **Hon Hai Precision Ind. Co., Ltd.**,
Taipei Hsien (TW)

(**) Term: **14 Years**

(21) Appl. No.: **29/134,409**

(22) Filed: **Dec. 20, 2000**

(30) **Foreign Application Priority Data**

Aug. 24, 2000 (TW) 089305687

(51) **LOC (7) Cl.** **13-03**

(52) **U.S. Cl.** **D13/147**

(58) **Field of Search** D13/146, 147;
439/79, 567, 607

(56) **References Cited**

U.S. PATENT DOCUMENTS

- D. 407,690 * 4/1999 Lai et al. D13/147
- D. 411,982 * 7/1999 Huang D13/147
- D. 413,576 * 9/1999 Ono et al. D13/147

- D. 416,865 * 11/1999 Chiou D13/147
- D. 418,479 * 1/2000 Chiou D13/147
- 5,104,326 * 4/1992 Smith et al. 439/79 X
- 5,213,515 * 5/1993 Ishikawa et al. 439/79
- 5,340,321 * 8/1994 Hashiguchi et al. 439/567 X
- 5,533,901 * 7/1996 Hunt et al. 439/79
- 6,083,046 * 7/2000 Wu et al. 439/607
- 6,241,556 * 6/2001 Chih 439/607

* cited by examiner

Primary Examiner—Joel Sincavage

(74) *Attorney, Agent, or Firm*—Wei Te Chung

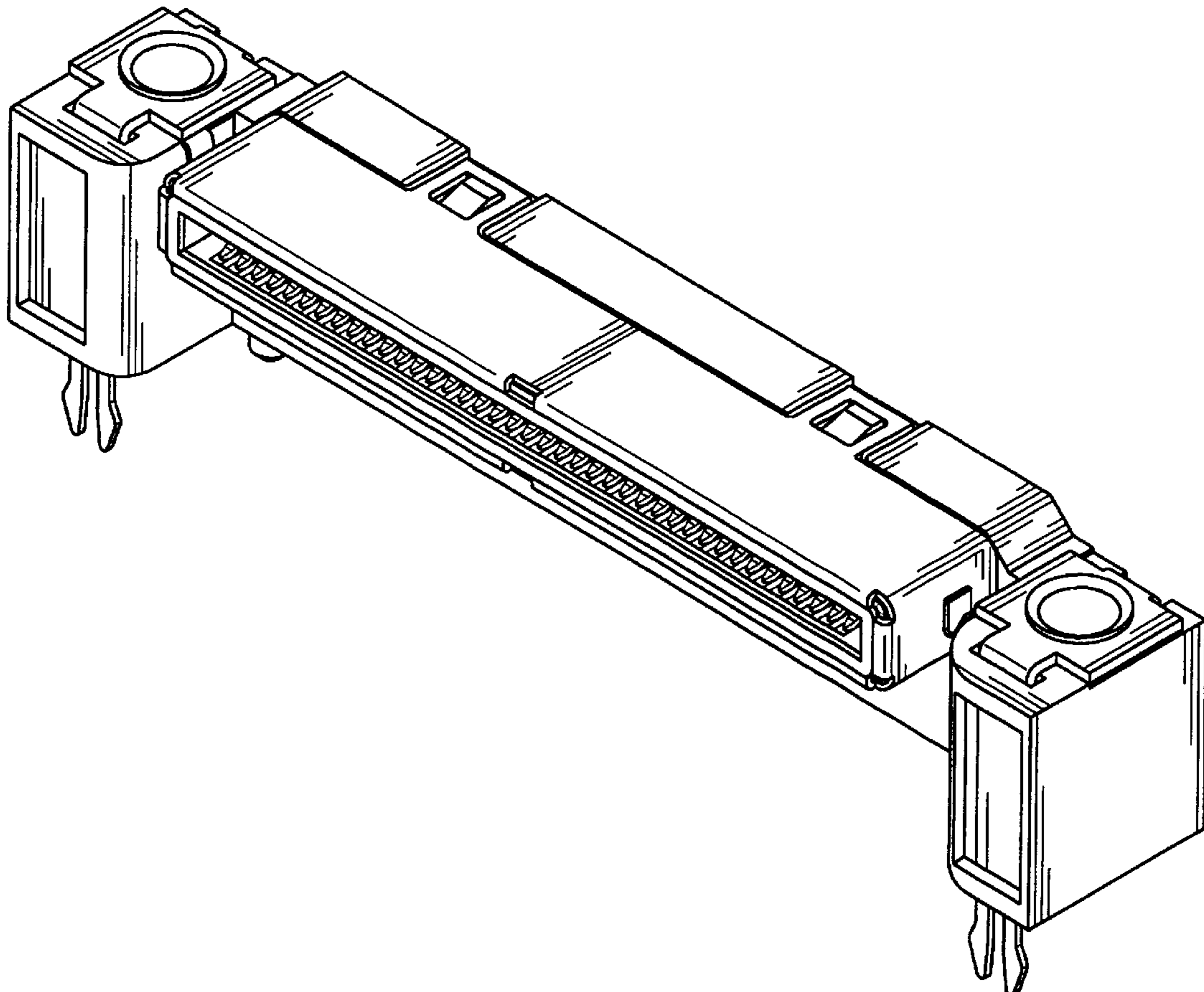
(57) **CLAIM**

The ornamental design for an electrical connector, as shown.

DESCRIPTION

FIG. 1 is a front, top and right side perspective view of an electrical connector showing our new design;
 FIG. 2 is a front elevational view thereof;
 FIG. 3 is a rear elevational view thereof;
 FIG. 4 is a left side elevational view thereof;
 FIG. 5 is a right side elevational view thereof;
 FIG. 6 is a top plan view thereof; and,
 FIG. 7 is a bottom plan view thereof.

1 Claim, 6 Drawing Sheets



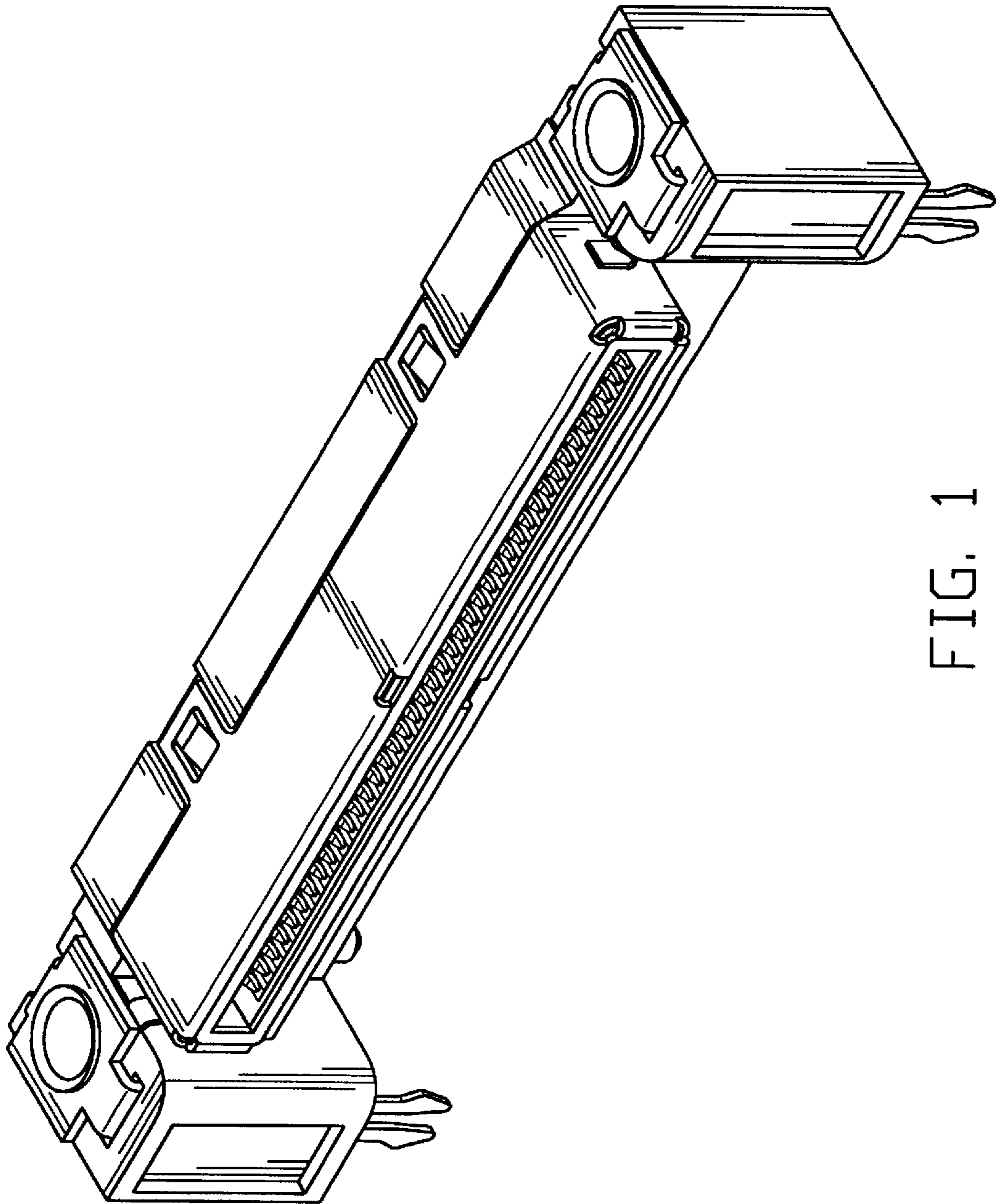


FIG. 1

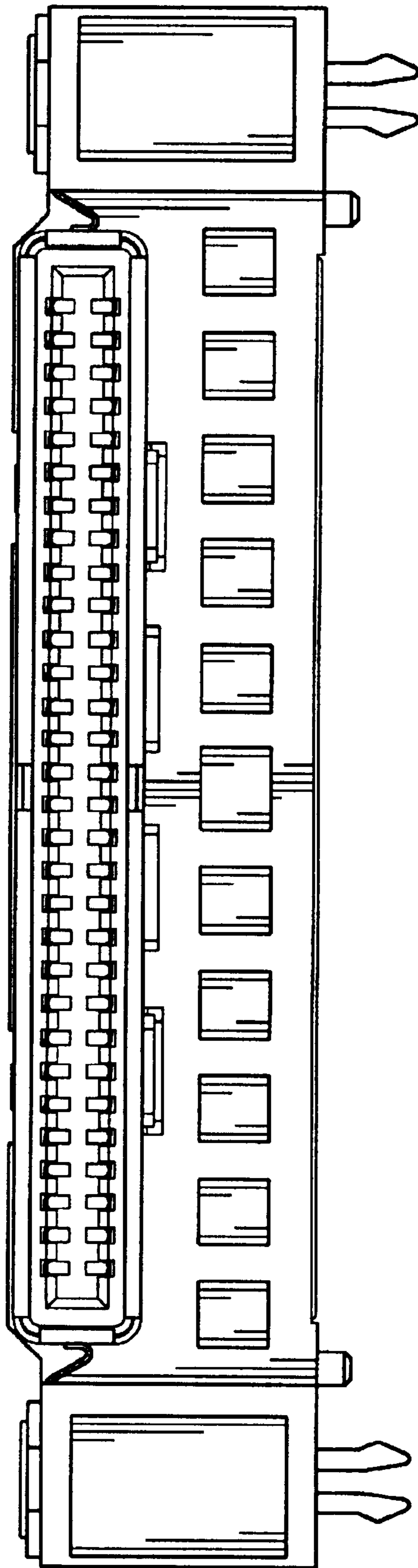


FIG. 2

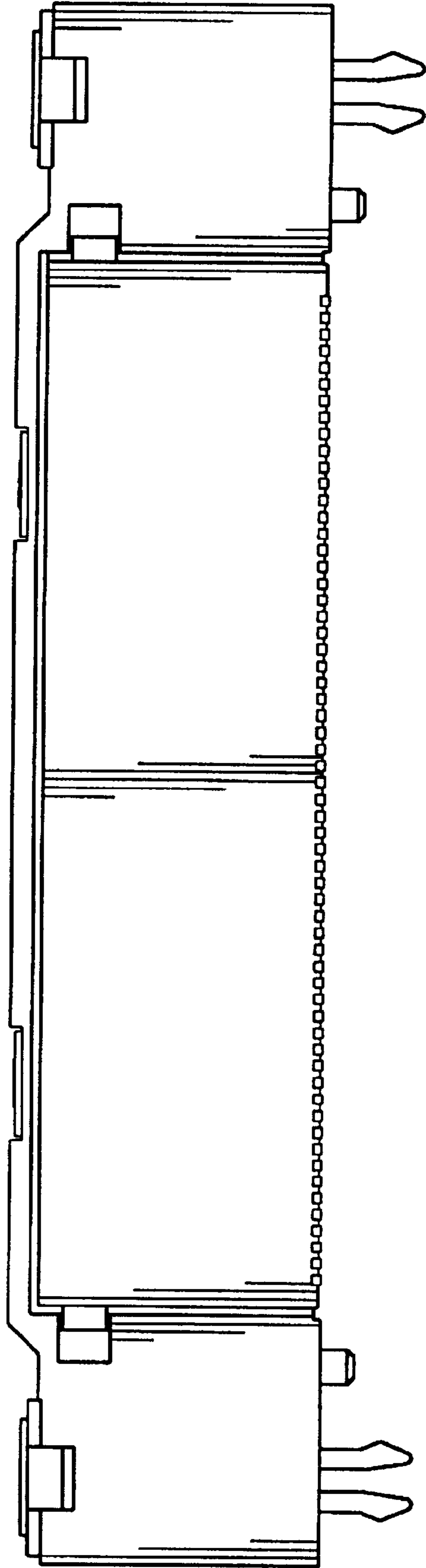


FIG. 3

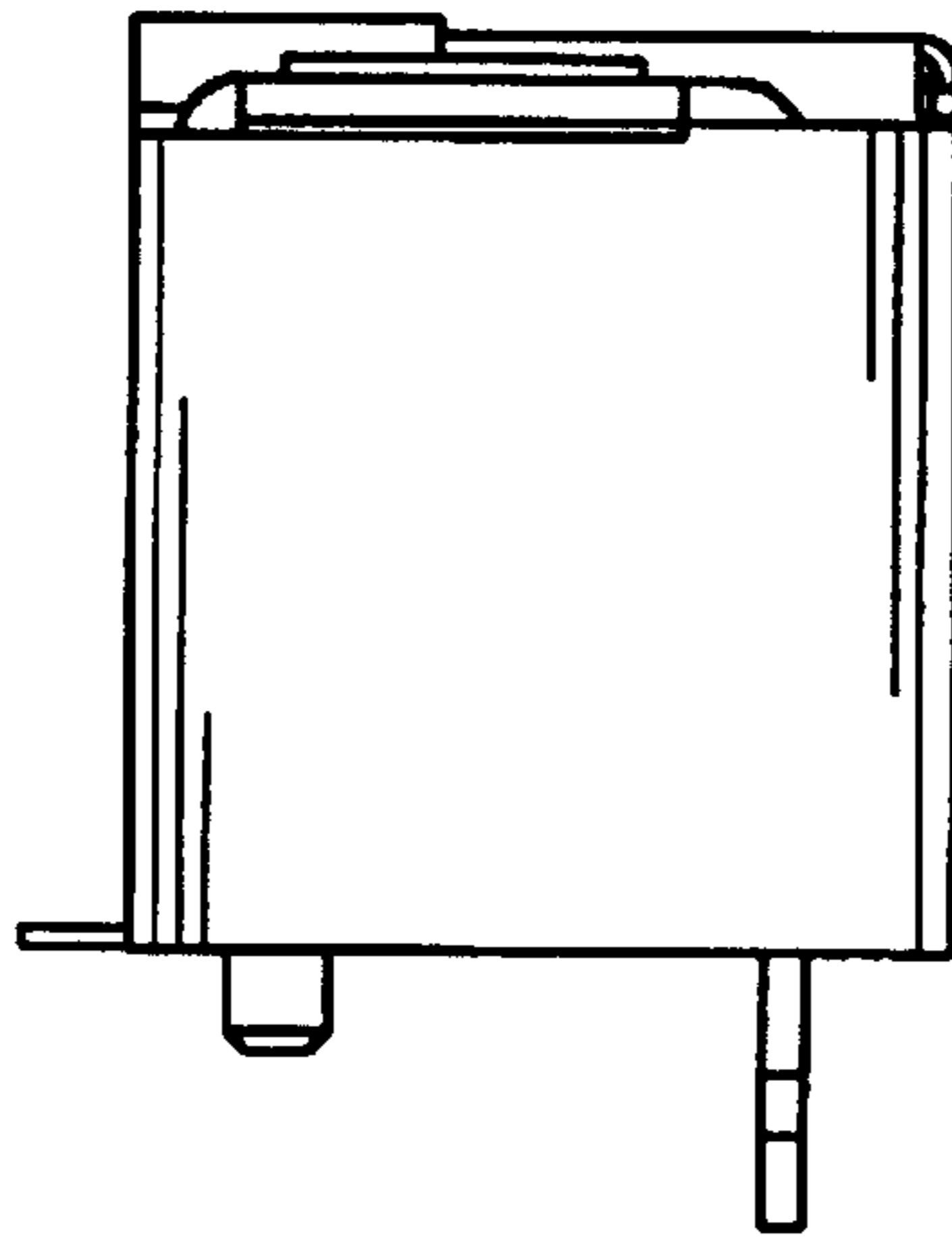


FIG. 4

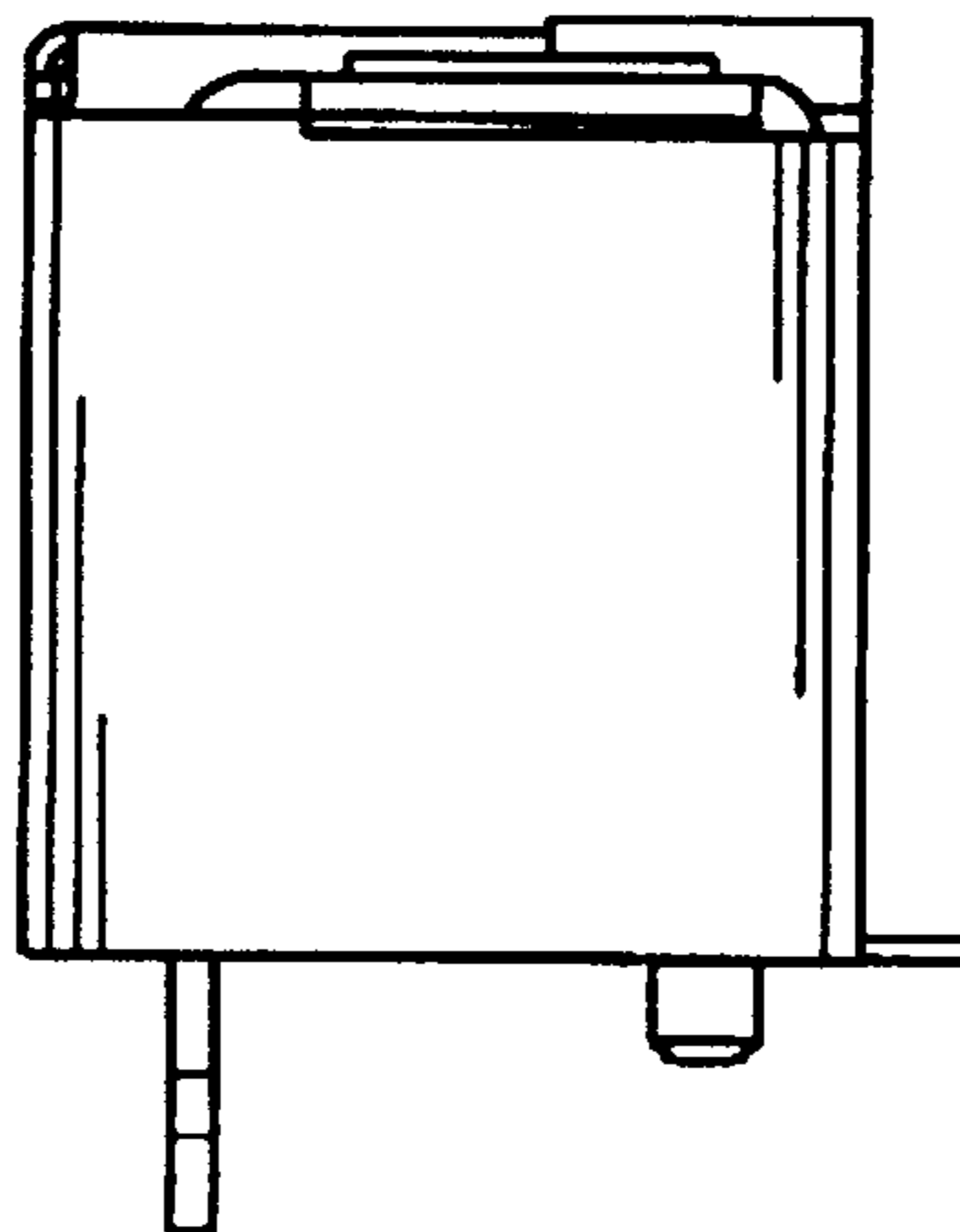


FIG. 5

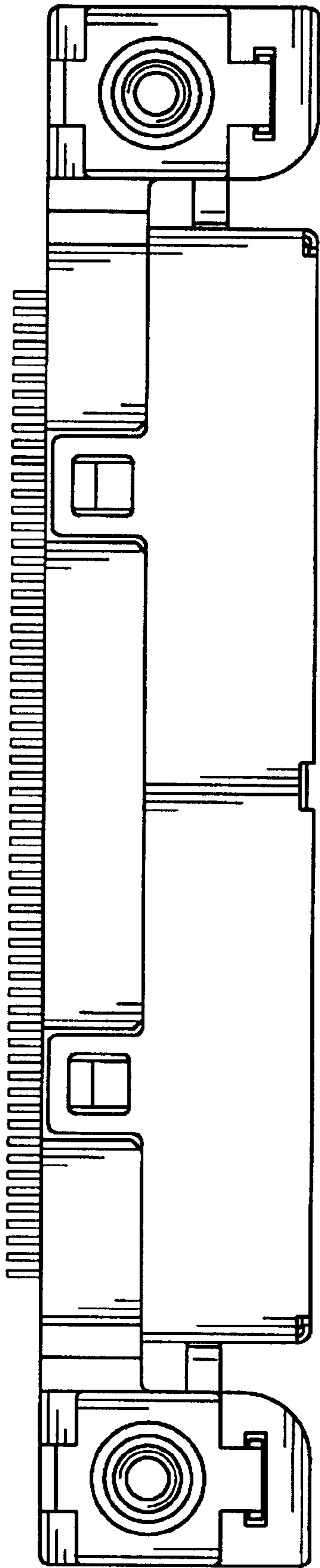


FIG. 6

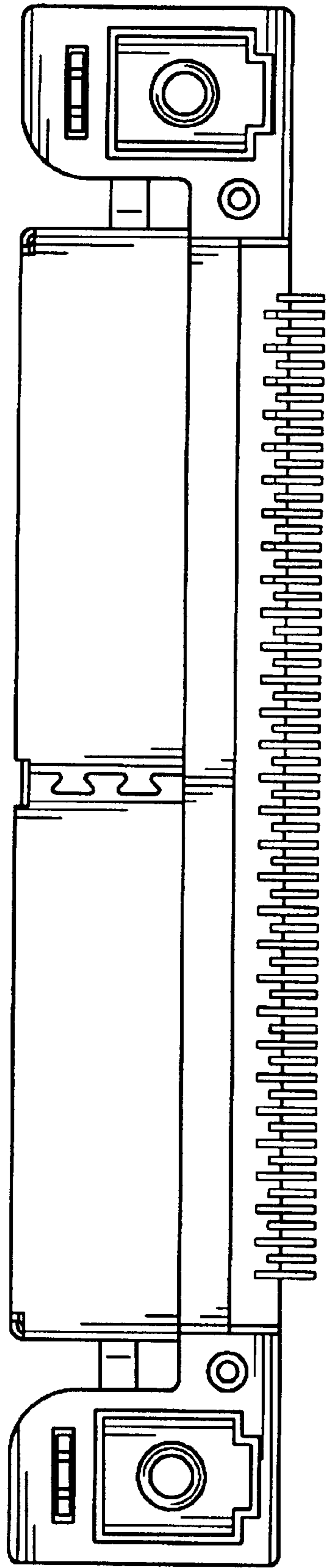


FIG. 7