



US00D451474B1

(12) **United States Design Patent**
Hwang et al.

(10) **Patent No.:** **US D451,474 S**

(45) **Date of Patent:** **** Dec. 4, 2001**

(54) **FLEXIBLE PRINTED CIRCUIT CONNECTOR**

(75) Inventors: **Jenq-Yih Hwang**, Irvine; **Dennis B. Jones**, Orange, both of CA (US)

(73) Assignee: **Hon Hai Precision Ind. Co., Ltd.**, Taipei Hsien (TW)

(**) Term: **14 Years**

(21) Appl. No.: **29/127,219**

(22) Filed: **Aug. 1, 2000**

(51) **LOC (7) Cl.** **13-03**

(52) **U.S. Cl.** **D13/147**

(58) **Field of Search** D13/146, 147; 439/62, 260, 630, 636, 637, 495, 496

(56) **References Cited**

U.S. PATENT DOCUMENTS

- D. 390,828 * 2/1998 Aramaki D13/147
- D. 412,884 * 8/1999 Wu D13/147
- 4,645,277 * 2/1987 Kikuchi et al. 439/62

- 4,715,820 * 12/1987 Andrews, Jr. et al. 439/59
- 5,466,171 * 11/1995 Bixler et al. 439/378
- 6,149,468 * 11/2000 Meng 439/637
- 6,238,238 * 5/2001 Hwang et al. 439/495

* cited by examiner

Primary Examiner—Joel Sincavage

(74) *Attorney, Agent, or Firm*—Wei Te Chung

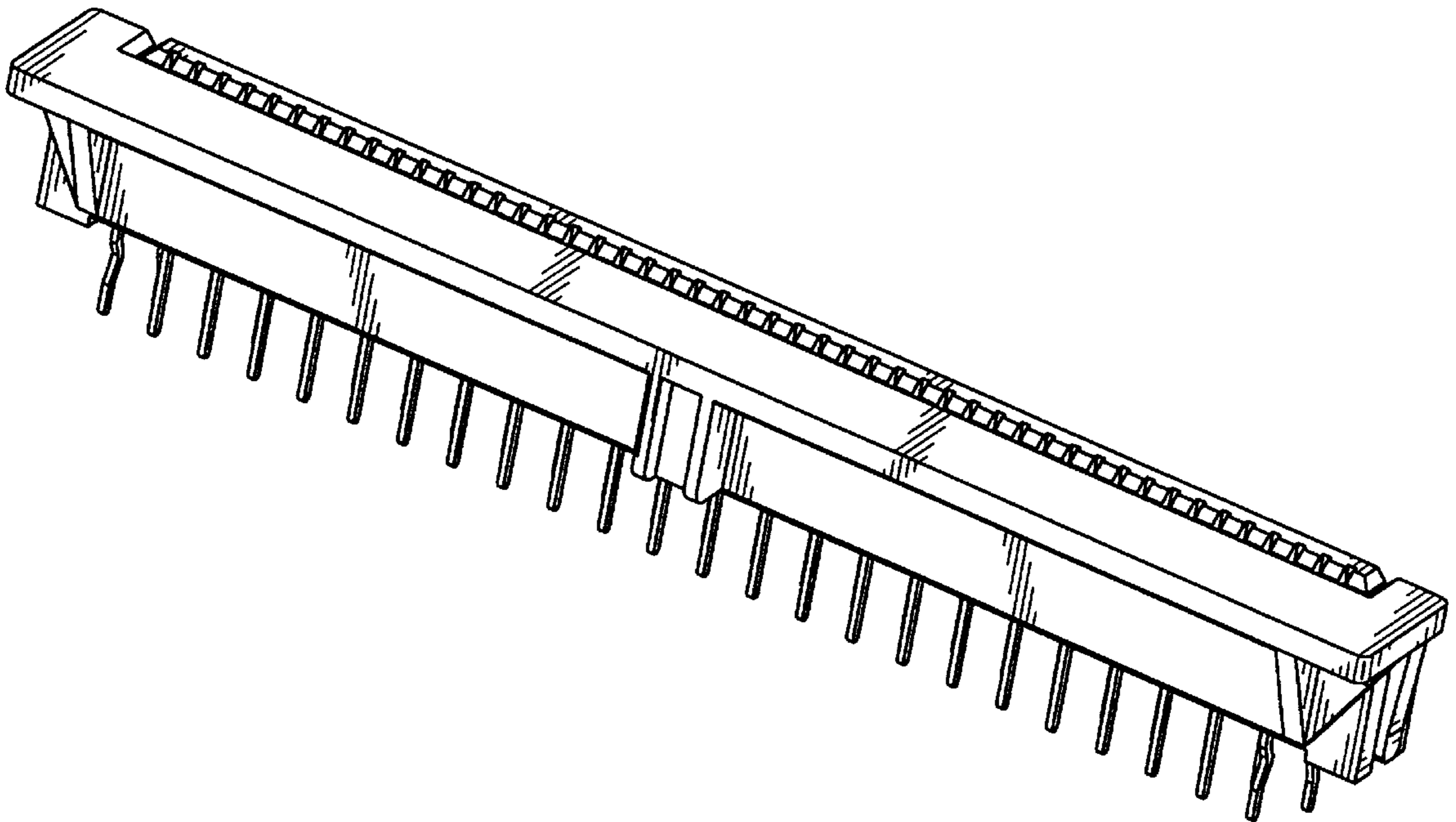
(57) **CLAIM**

The ornamental design for a flexible printed circuit connector, as shown.

DESCRIPTION

FIG. 1 is a front, top and right side perspective view of a flexible printed circuit connector showing our new design; FIG. 2 is a front elevational view thereof; FIG. 3 is a rear elevational view thereof; FIG. 4 is a left side elevational view thereof; FIG. 5 is a right side elevational view thereof; FIG. 6 is a top plan view thereof; and, FIG. 7 is a bottom plan view thereof.

1 Claim, 4 Drawing Sheets



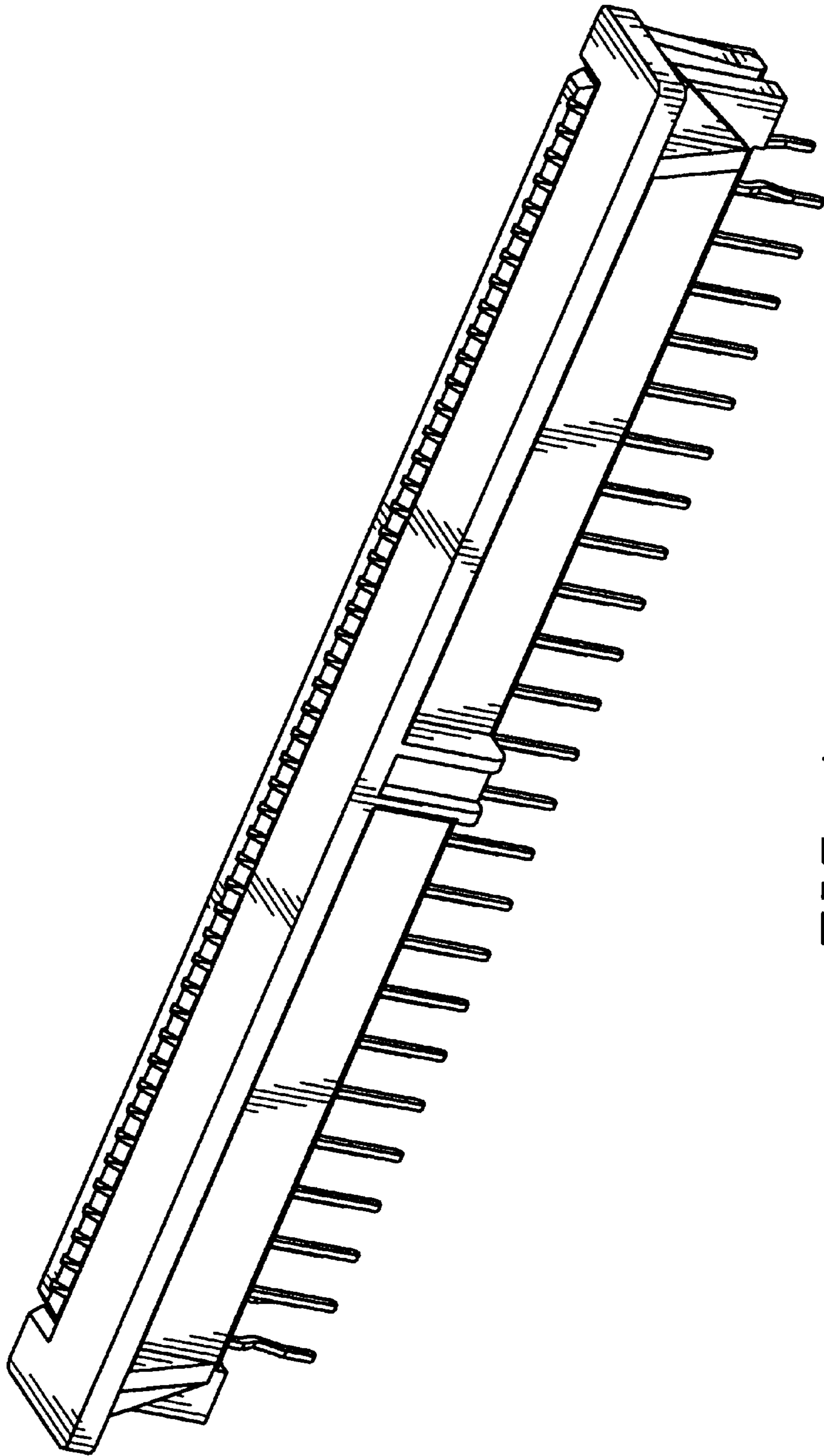


FIG. 1

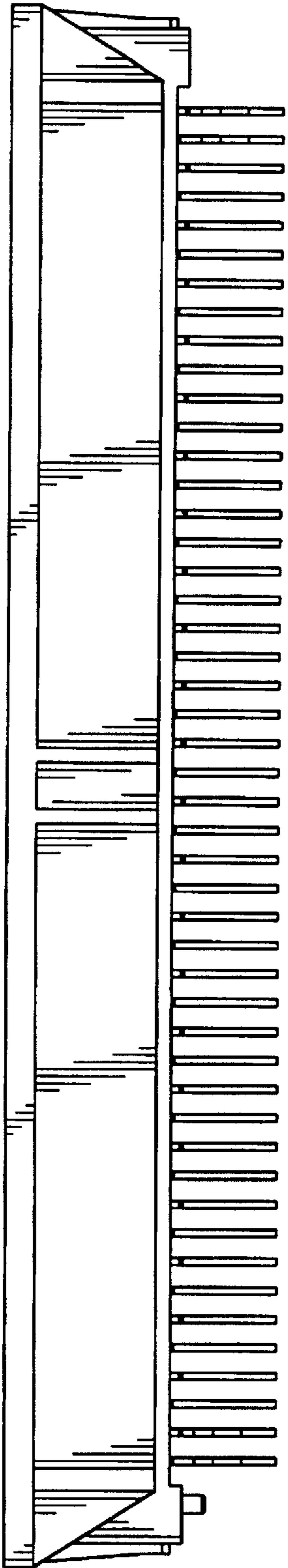


FIG. 2

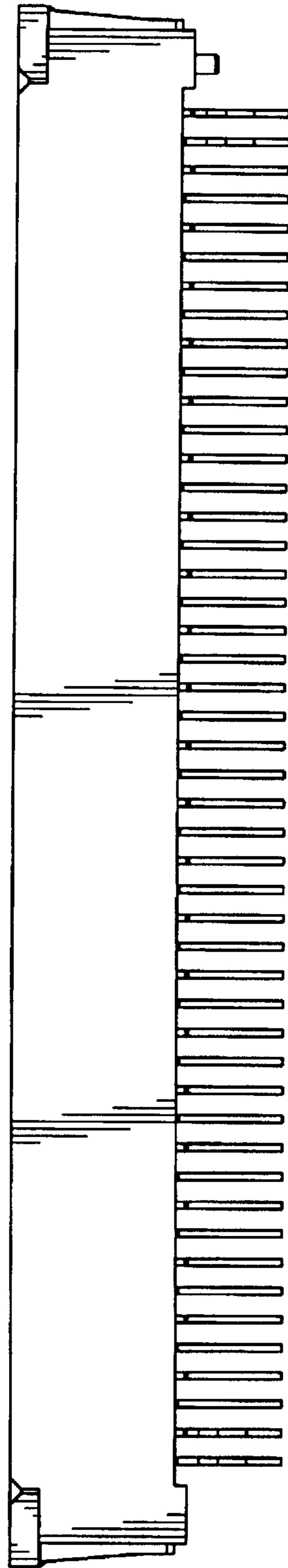


FIG. 3

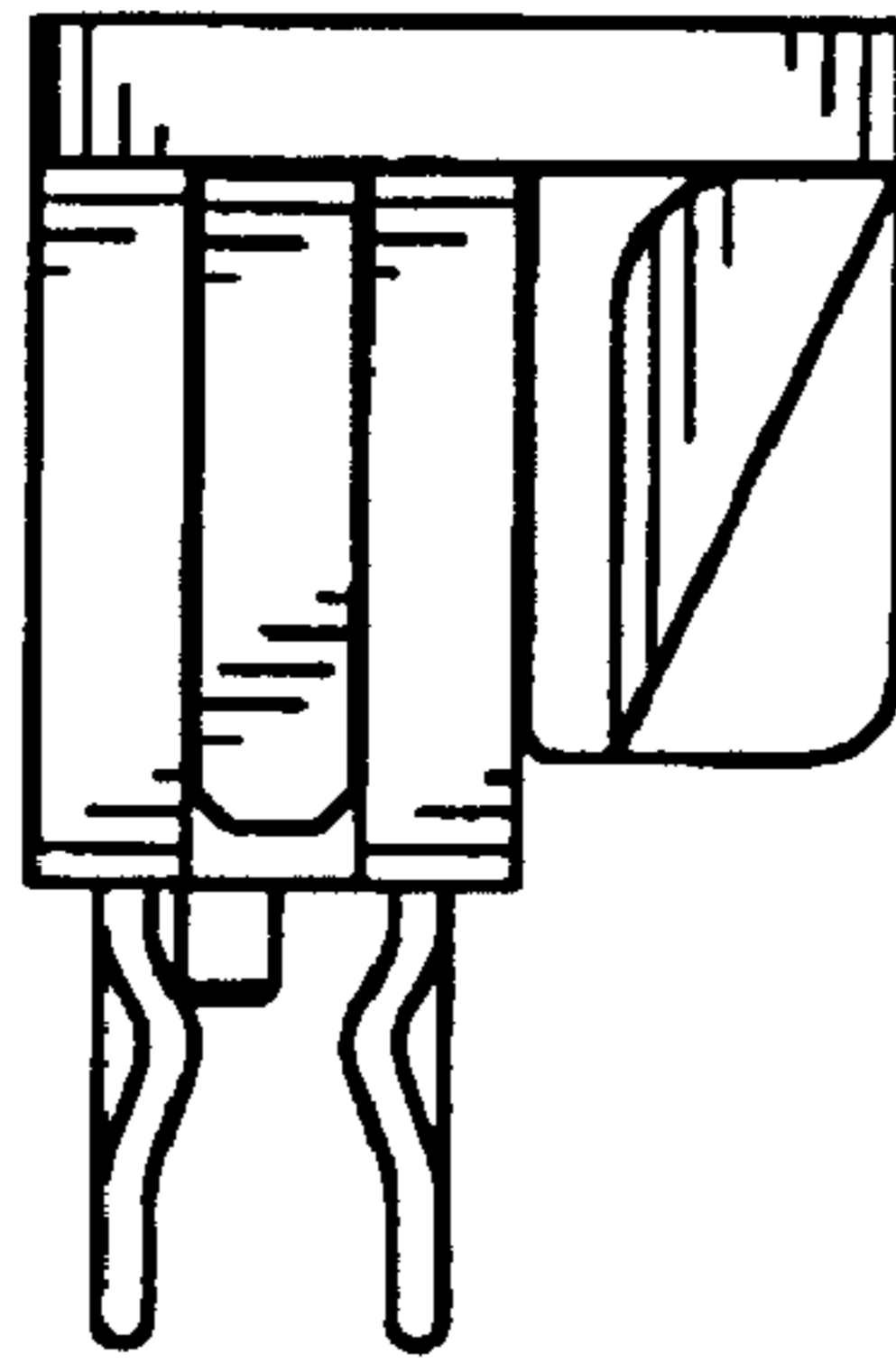


FIG. 4

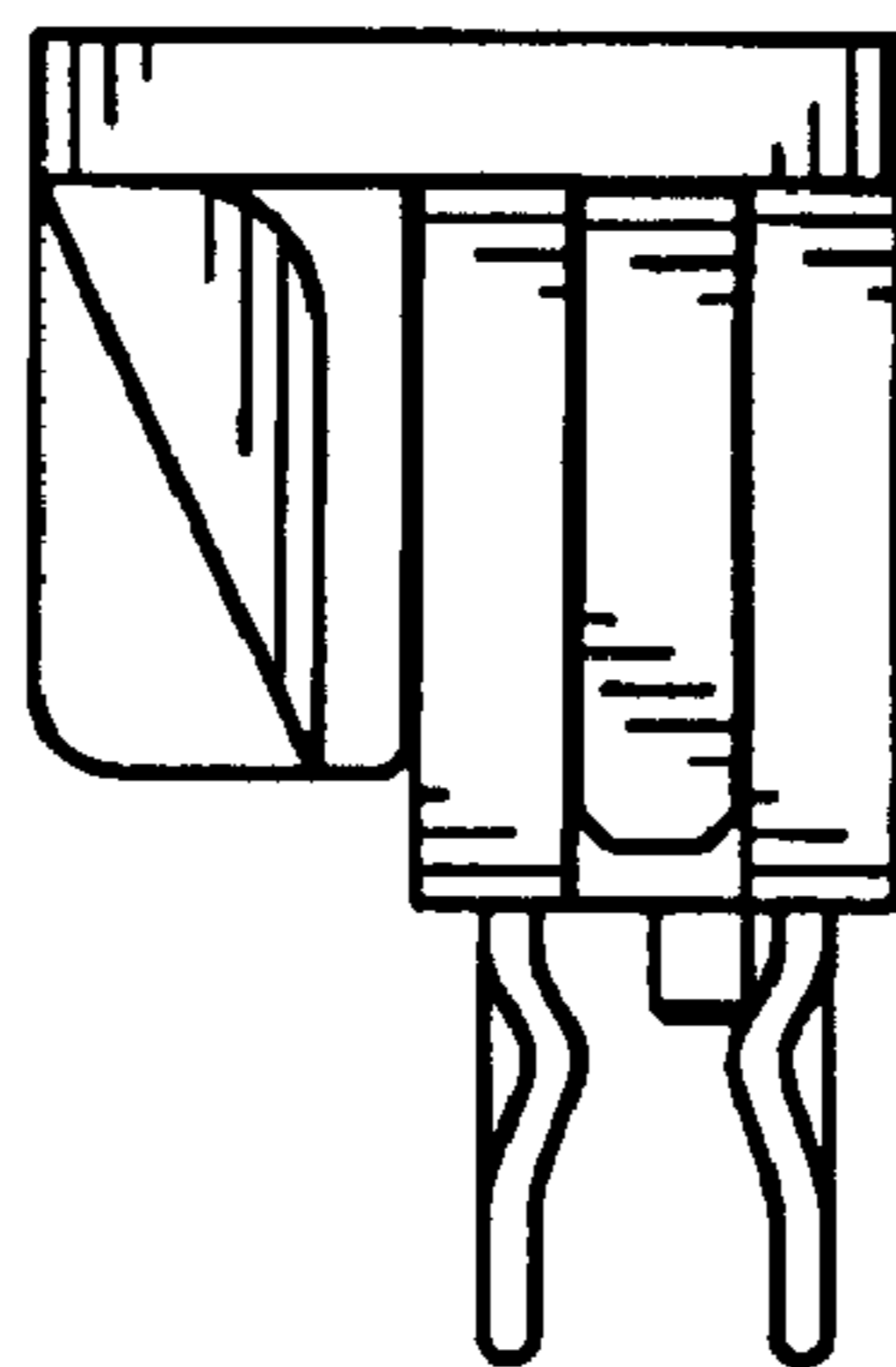


FIG. 5

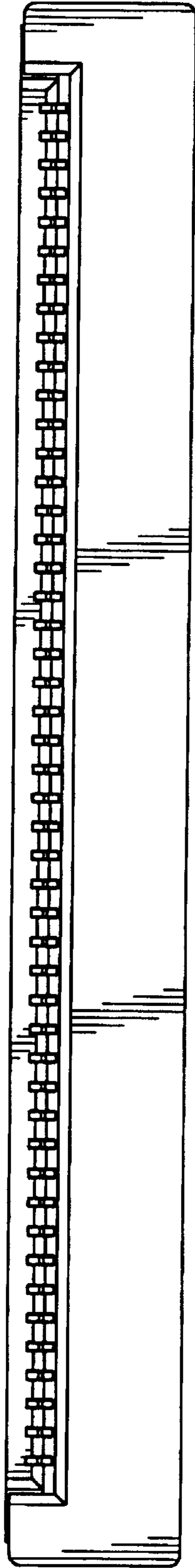


FIG. 6

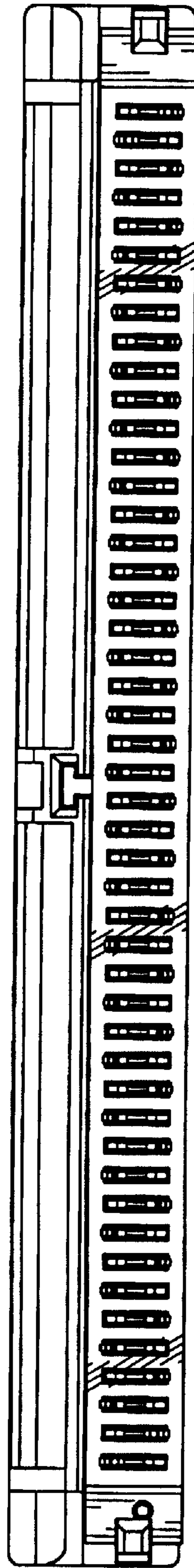


FIG. 7