



US00D451473B1

(12) **United States Design Patent**
Goto

(10) **Patent No.:** **US D451,473 S**

(45) **Date of Patent:** **** Dec. 4, 2001**

(54) **ELECTRIC CONNECTOR**

(75) Inventor: **Teiyu Goto**, Tokyo (JP)

(73) Assignee: **Sony Computer Entertainment Inc.**,
Tokyo (JP)

(**) Term: **14 Years**

(21) Appl. No.: **29/123,702**

(22) Filed: **May 24, 2000**

(30) **Foreign Application Priority Data**

Jan. 25, 2000 (JP) 12-000924

(51) **LOC (7) Cl.** **13-03**

(52) **U.S. Cl.** **D13/147; D13/153**

(58) **Field of Search** D13/153, 133,
D13/146, 147; 439/502, 582, 694, 844,
854, 855

(56) **References Cited**

U.S. PATENT DOCUMENTS

D. 298,121	*	10/1988	Furuhashi	D13/146
D. 314,186	*	1/1991	Fujioka	D13/199
D. 381,629	*	7/1997	Goto	D13/147
D. 407,376	*	3/1999	Copeland et al.	D13/153
D. 409,150	*	5/1999	Davis et al.	D13/153
D. 416,869	*	11/1999	Tsai	D13/153
D. 425,860	*	5/2000	Goto	D13/133
3,792,284	*	2/1974	Kaelin	250/551
5,511,995	*	4/1996	Cheng	439/638
5,639,262	*	6/1997	Lim	439/607
5,702,261	*	12/1997	Wang	439/188

OTHER PUBLICATIONS

“Asian Sources Electronics” (Dec. 1996).

* cited by examiner

Primary Examiner—Joel Sincavage

(74) *Attorney, Agent, or Firm*—Rader, Fishman & Grauer,
PLLC

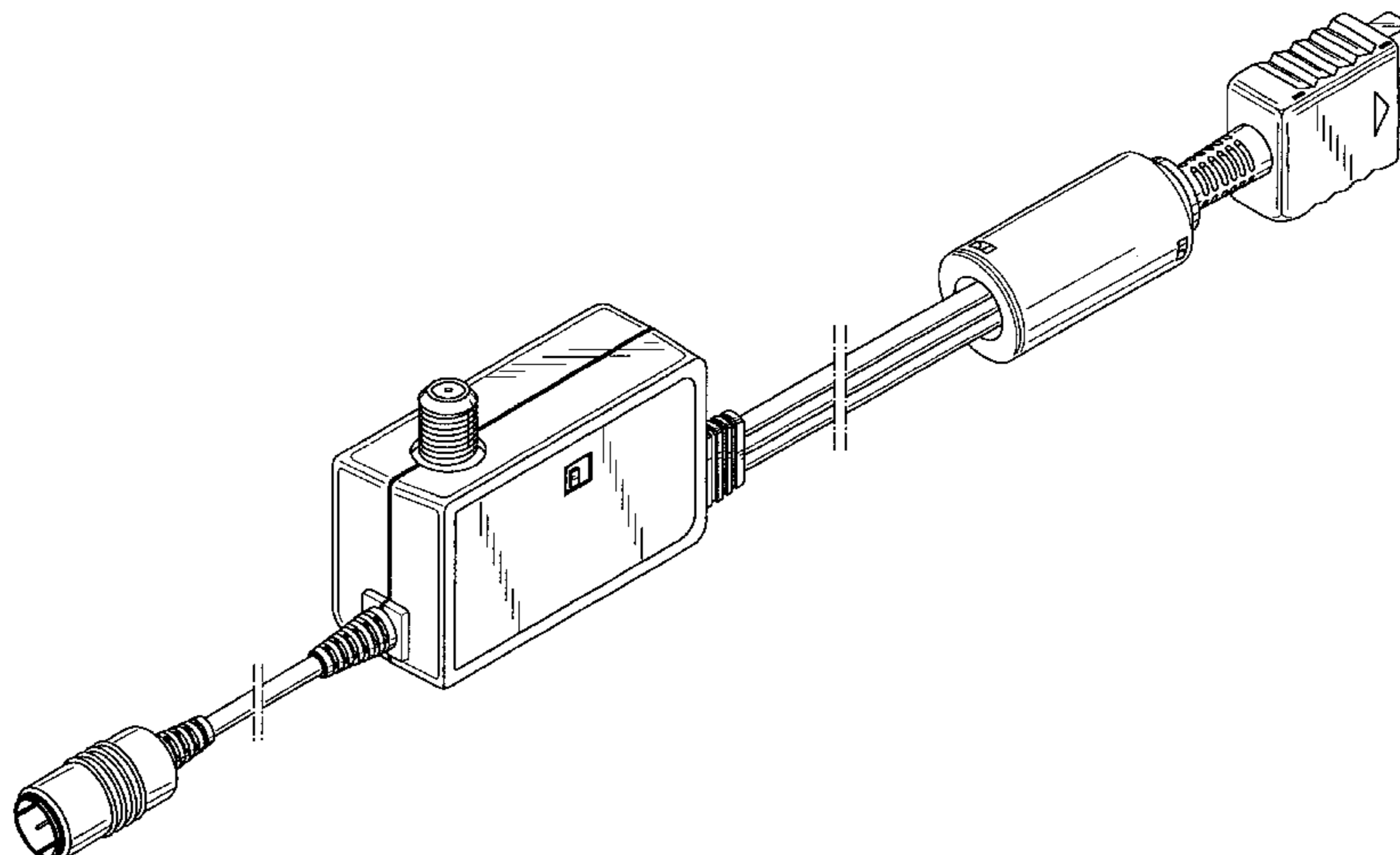
(57) **CLAIM**

The ornamental design for an electric connector, as shown and described.

DESCRIPTION

FIG. 1 is a perspective view of an electric connector showing my design;
 FIG. 2 is a front elevational view thereof;
 FIG. 3 is a rear elevational view thereof;
 FIG. 4 is a top plan view thereof;
 FIG. 5 is a bottom plan view hereof;
 FIG. 6 is a right side elevational view thereof; and
 FIG. 7 is a left side elevational view thereof.
 FIG. 8 is a perspective view of another embodiment of an electric connector showing my design;
 FIG. 9 is a front elevational view thereof;
 FIG. 10 is a rear elevational view thereof;
 FIG. 11 is a top plan view thereof;
 FIG. 12 is a bottom plan view hereof;
 FIG. 13 is a right side elevational view thereof; and
 FIG. 14 is a left side elevational view thereof.
 FIG. 15 is a reference front view of the embodiments of FIGS. 1 and 8;
 FIG. 16 is a reference enlarged left side elevational view thereof;
 FIG. 17 is a reference enlarged right side elevational view thereof;
 FIG. 18 is a reference cross sectional view along the line 18—18 of FIG. 15 without showing internal structure;
 FIG. 19 is an enlarged reference cross sectional view along the line 19—19 of FIG. 15 without showing internal structure;
 FIG. 20 is an enlarged reference cross sectional view along the line 20—20 of FIG. 15 without showing internal structure;
 FIG. 21 is an enlarged reference front elevational view along the line 21—21 of FIG. 15 without showing internal structure;
 FIG. 22 is an enlarged reference front view of the 22—22 portion of FIG. 15; and
 FIG. 23 is an enlarged reference front view of the 23—23 portion of FIG. 15.

1 Claim, 11 Drawing Sheets



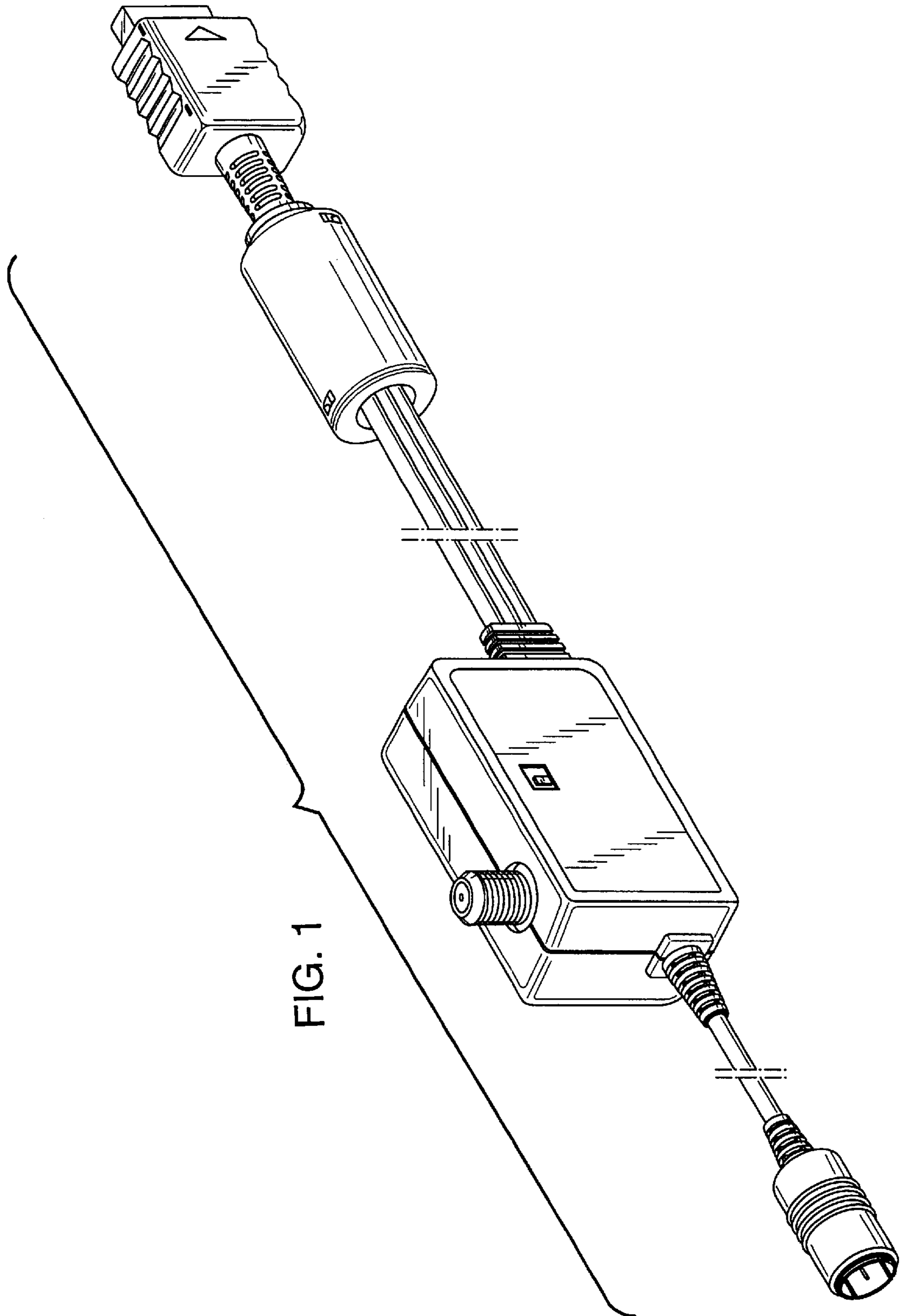


FIG. 1

FIG. 2

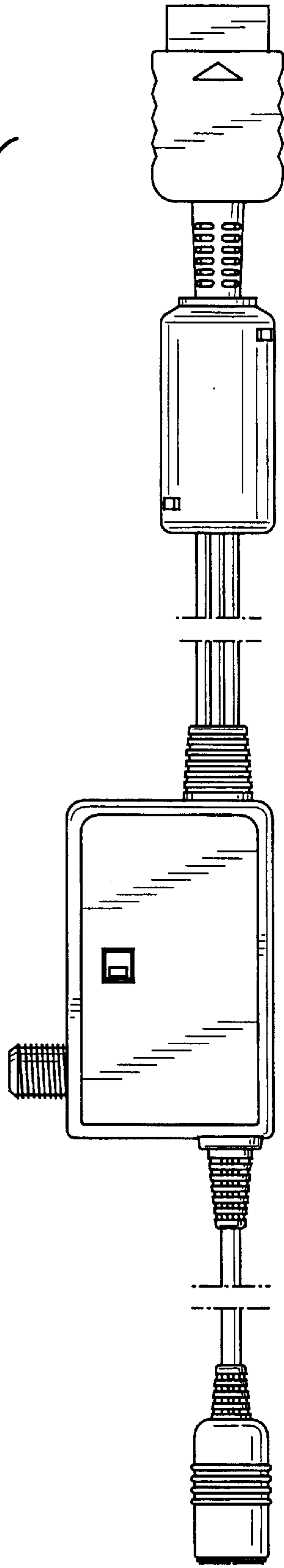


FIG. 3

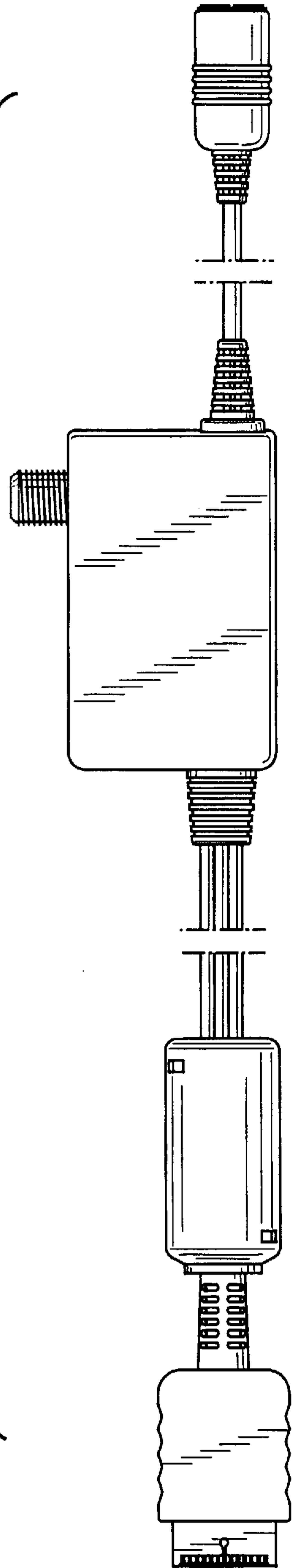


FIG. 4

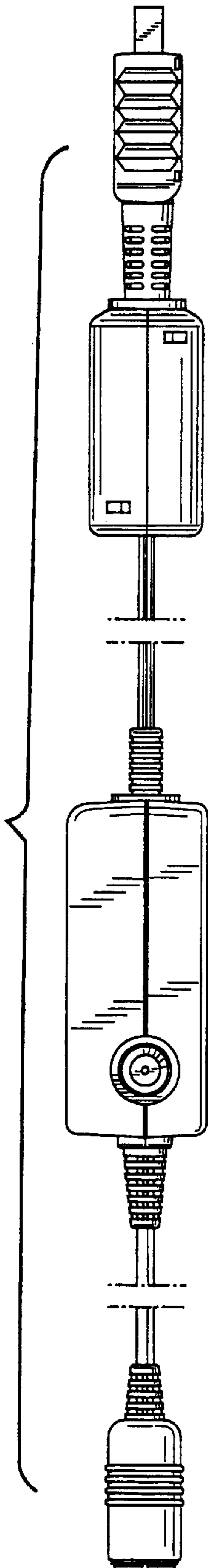


FIG. 5

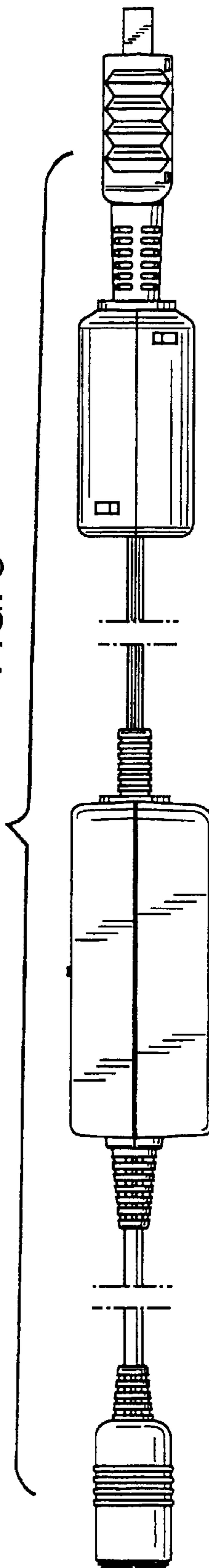


FIG. 7

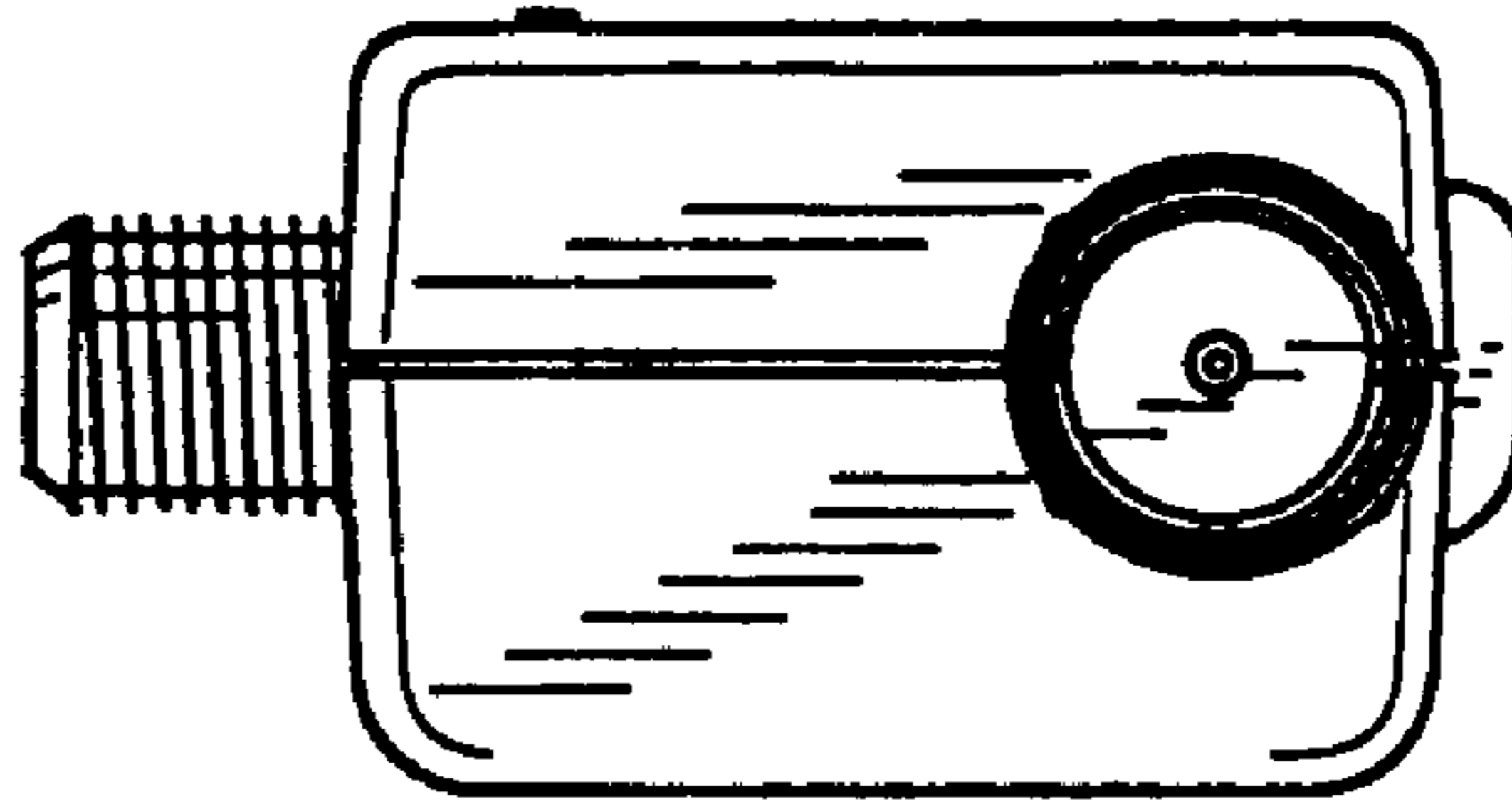
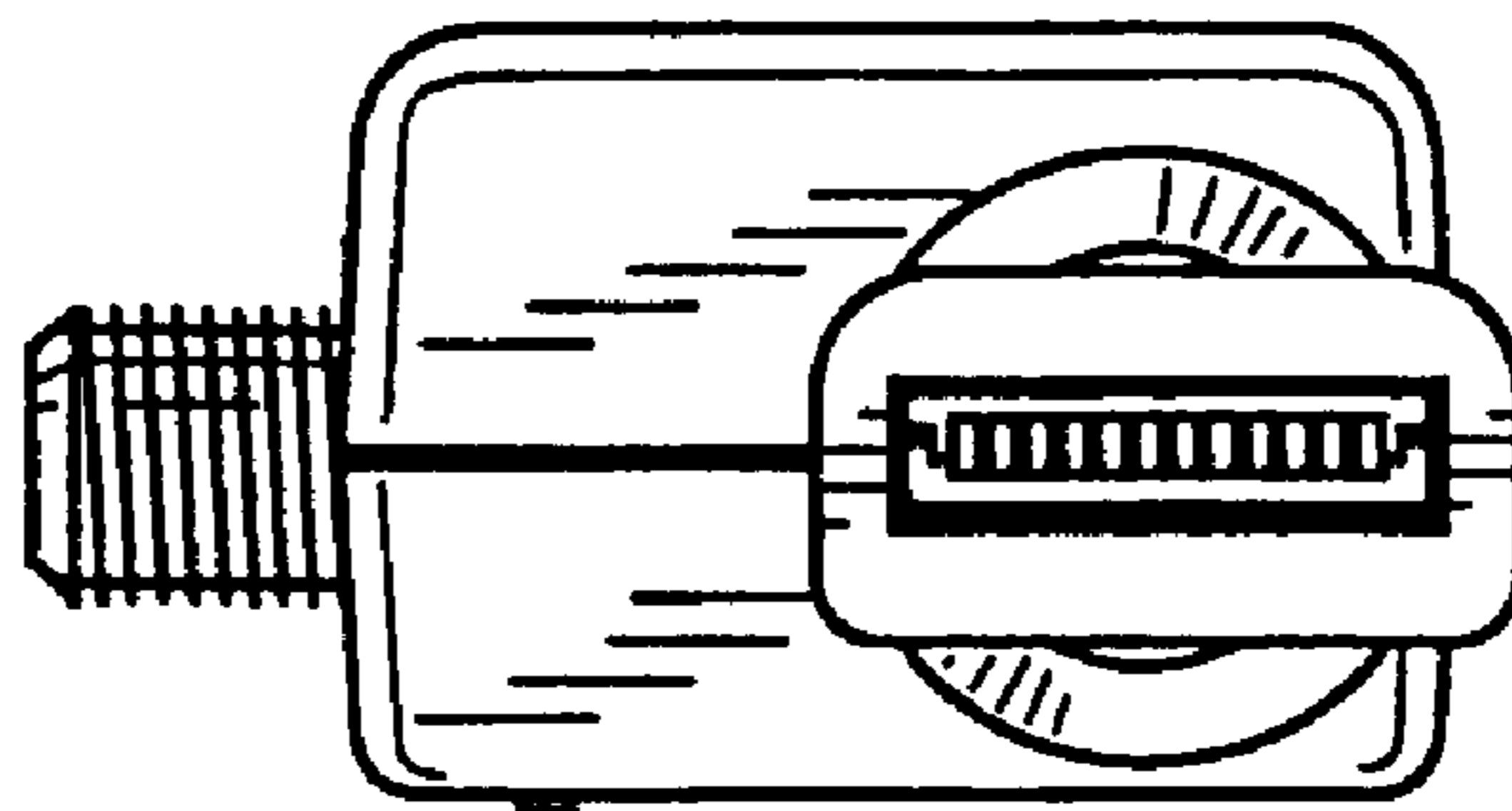


FIG. 6



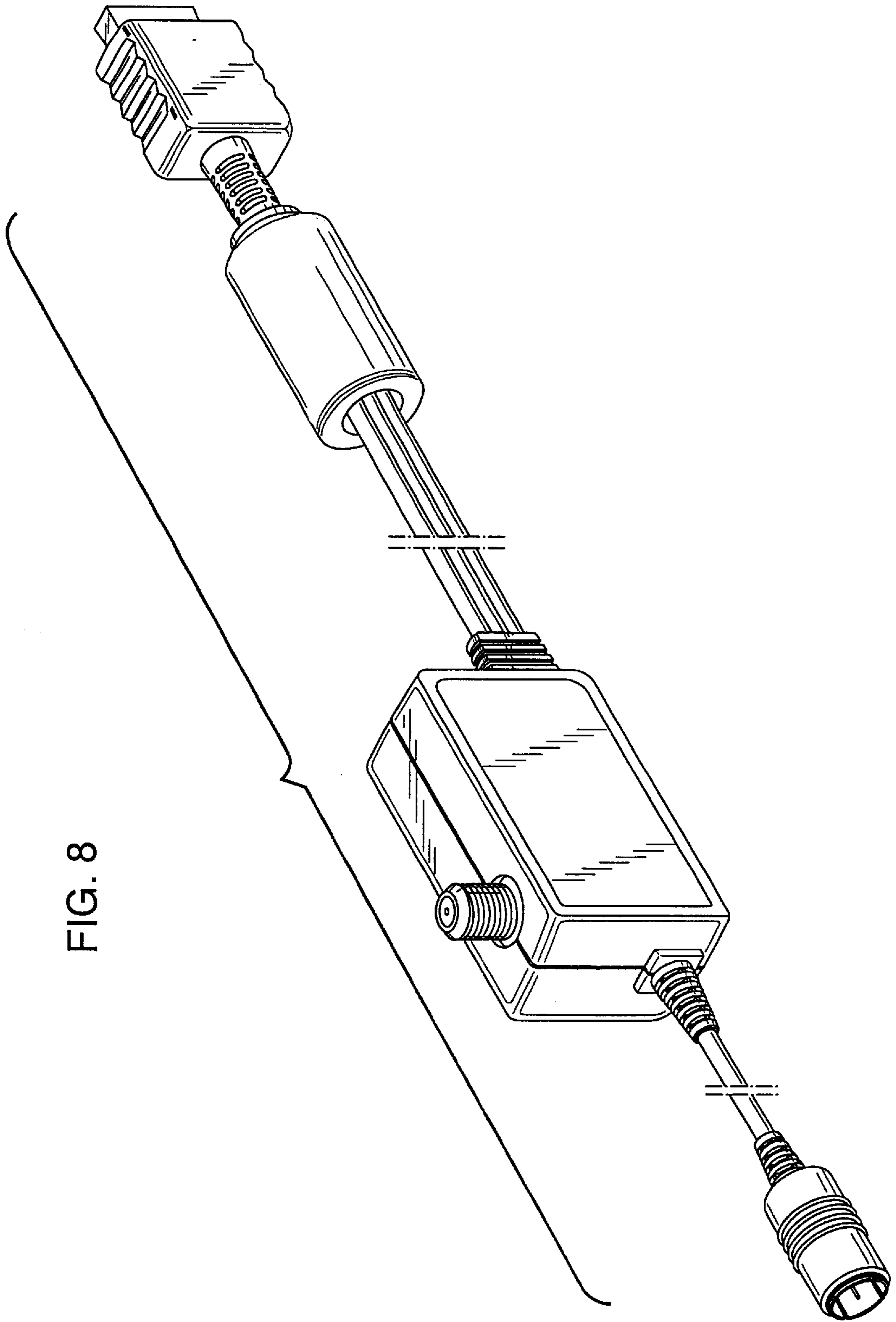


FIG. 8

FIG. 9

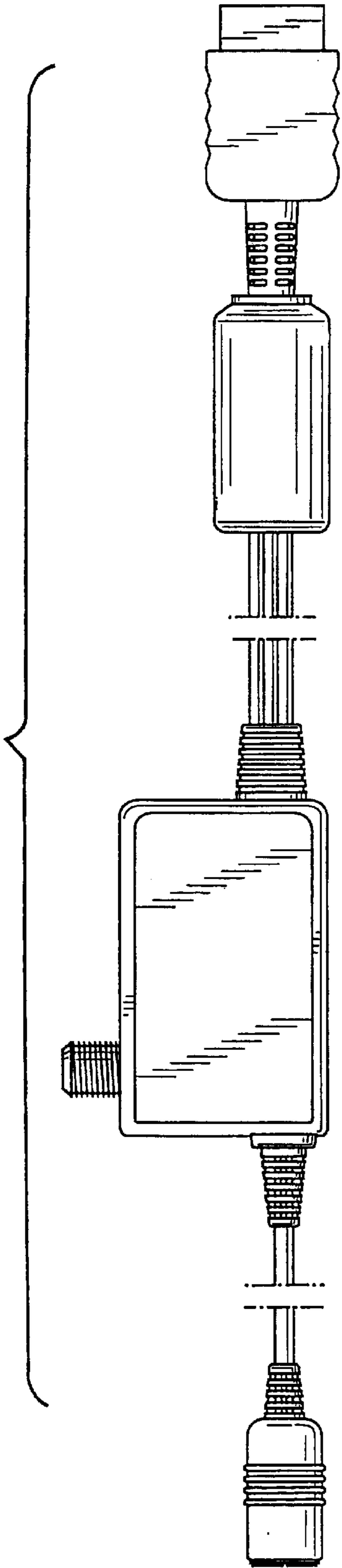


FIG. 10

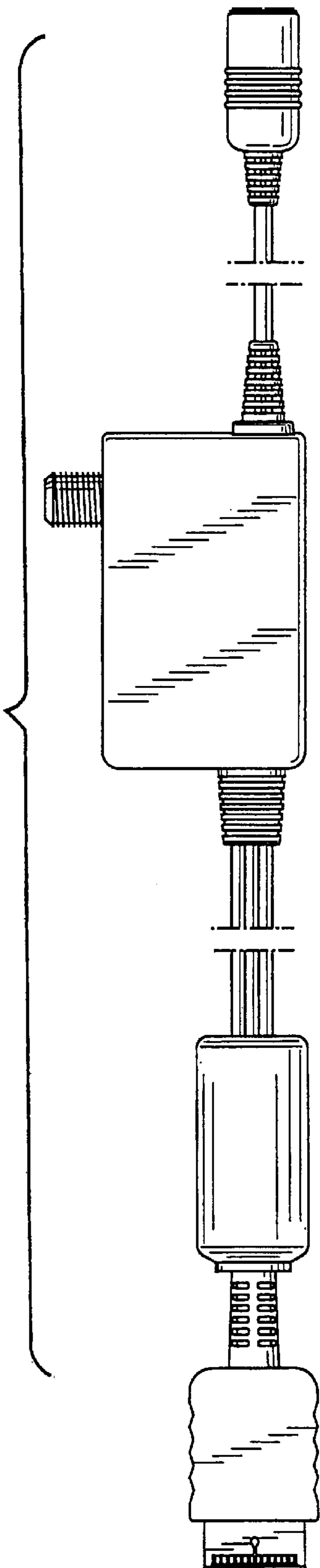


FIG. 11

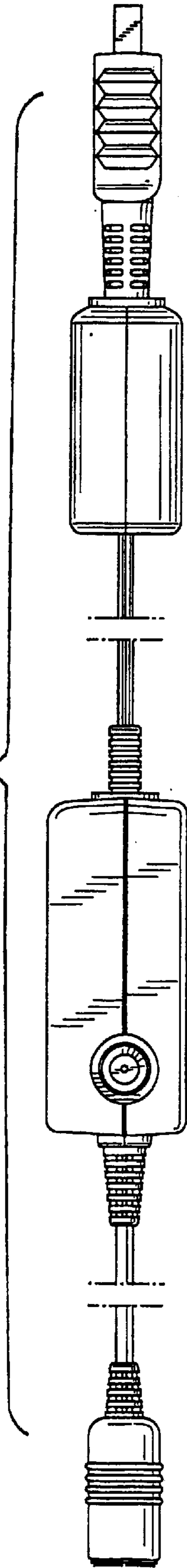


FIG. 12

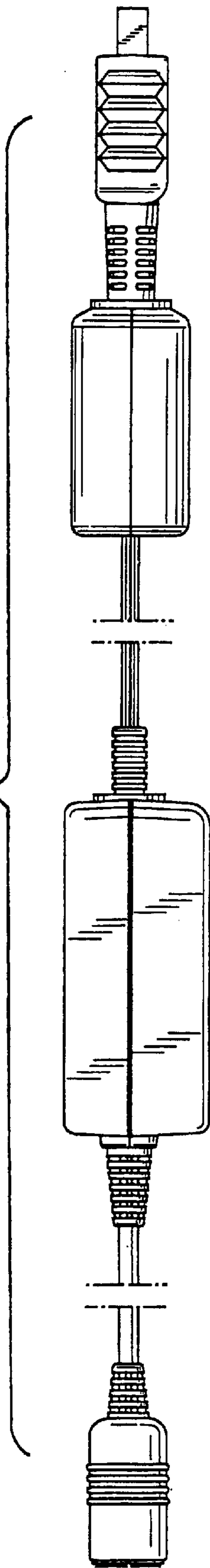


FIG. 14

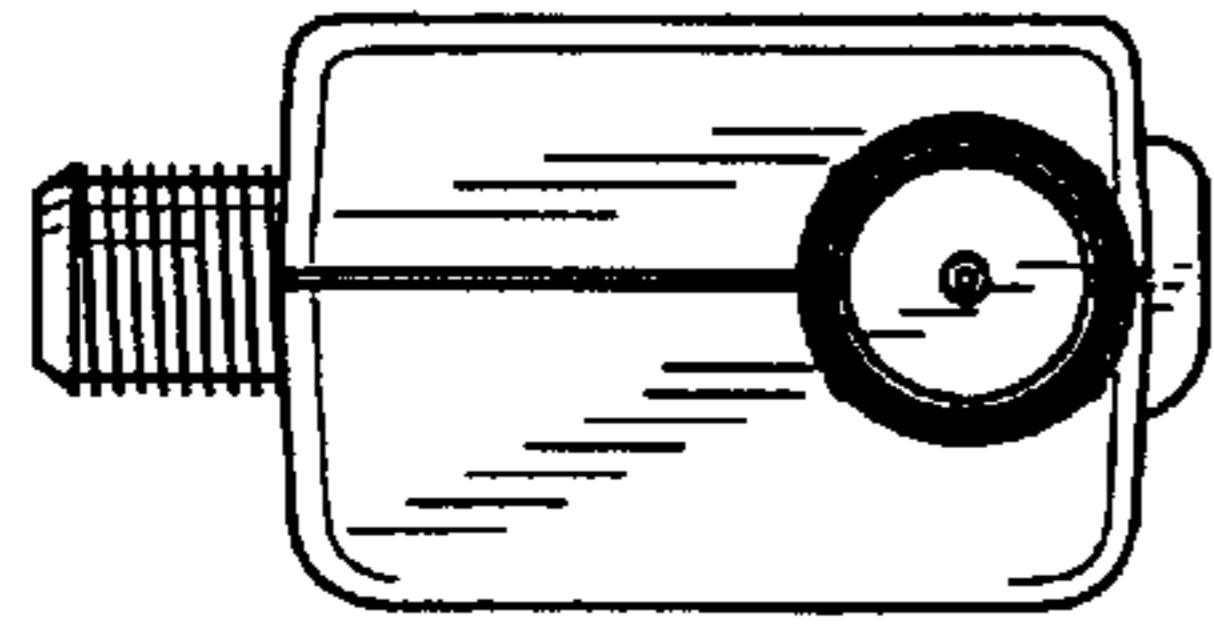


FIG. 13

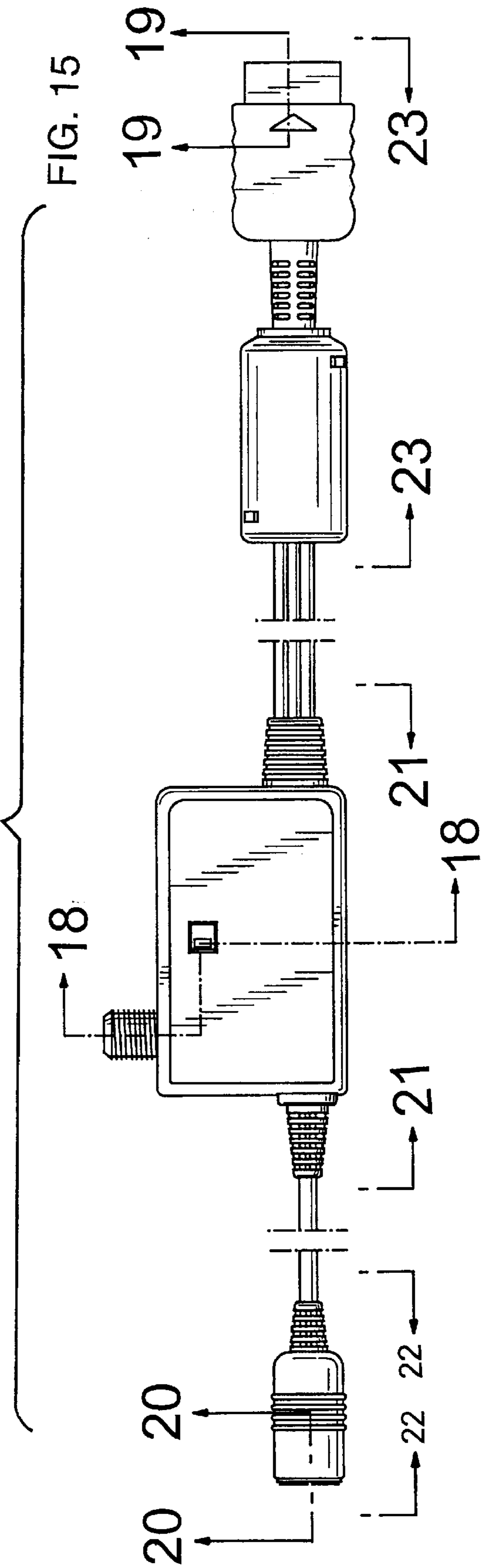
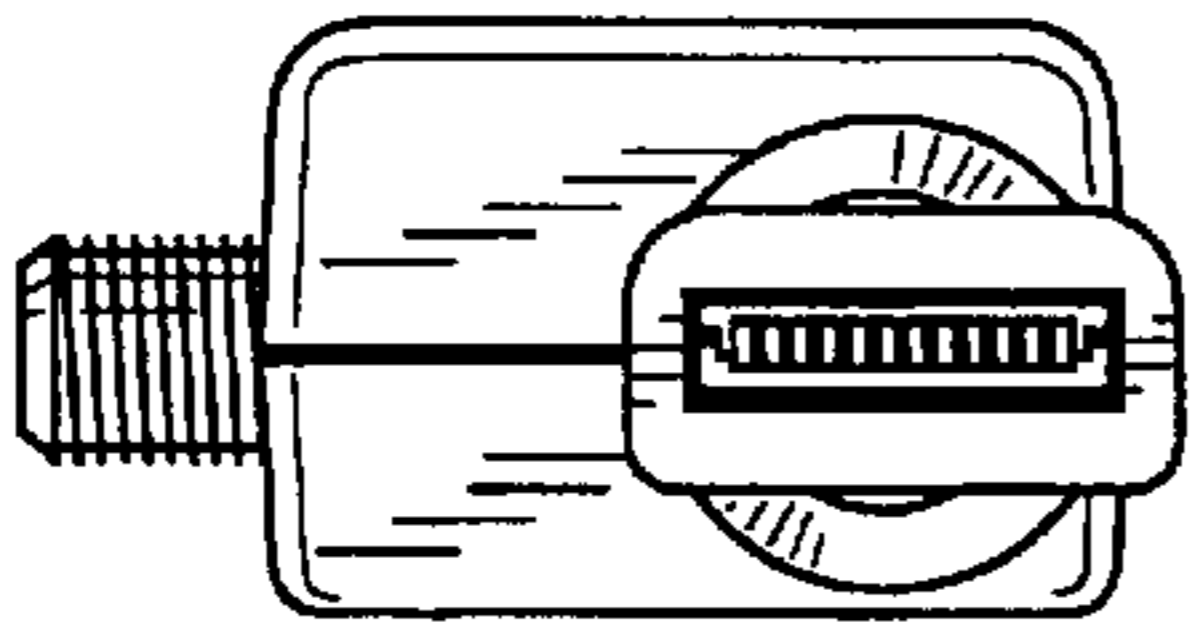


FIG. 16

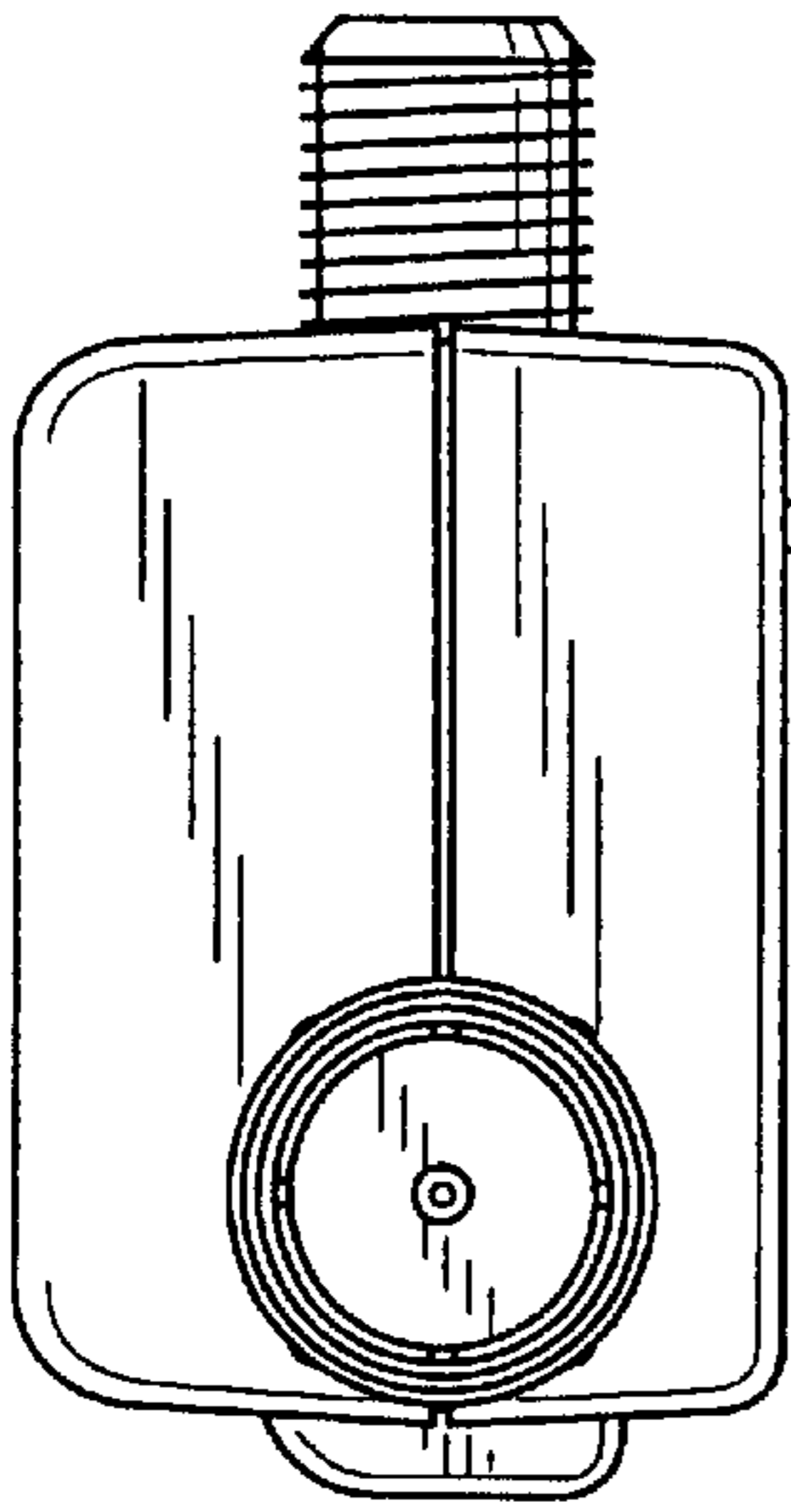


FIG. 17

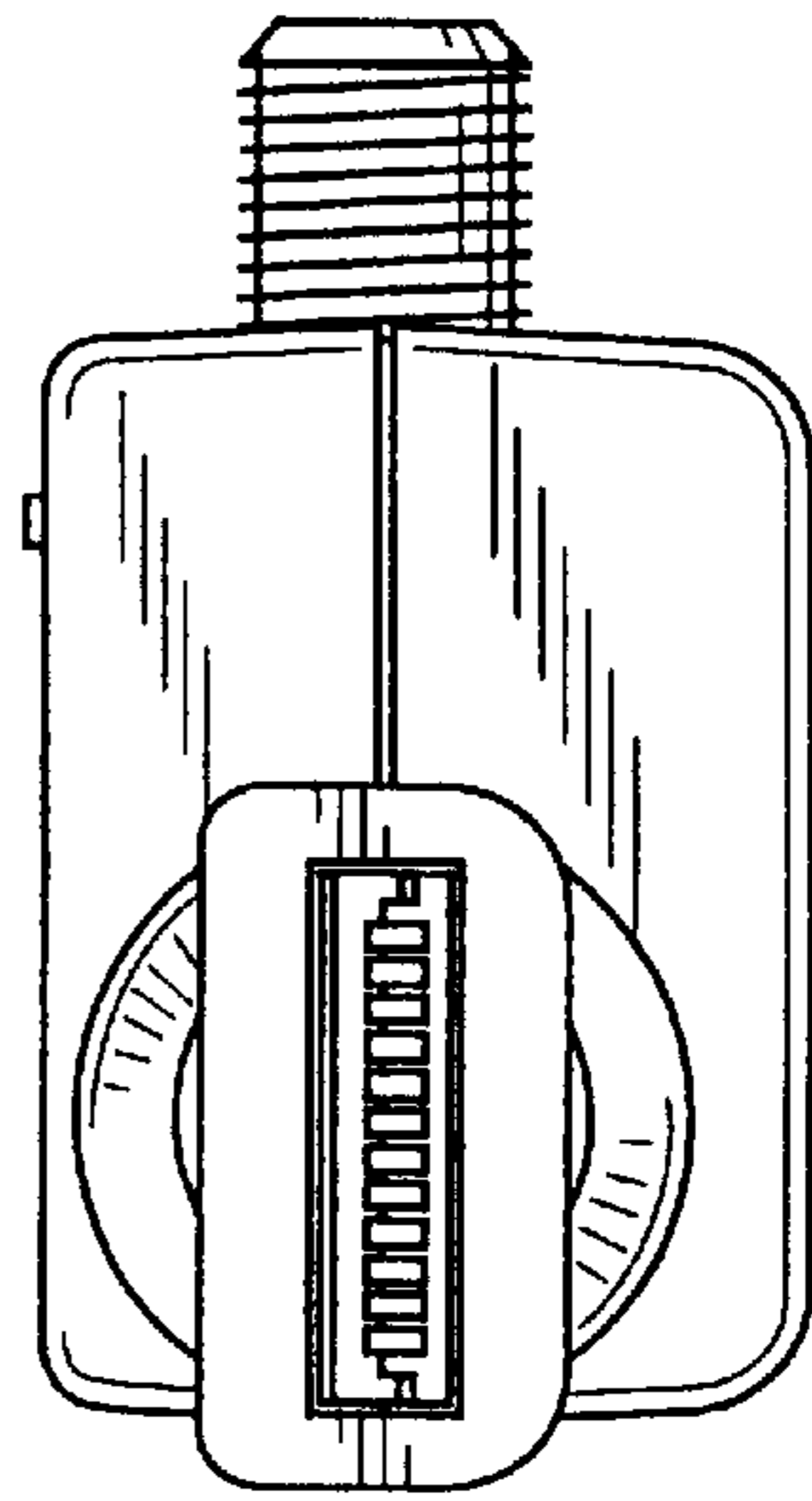


FIG. 18

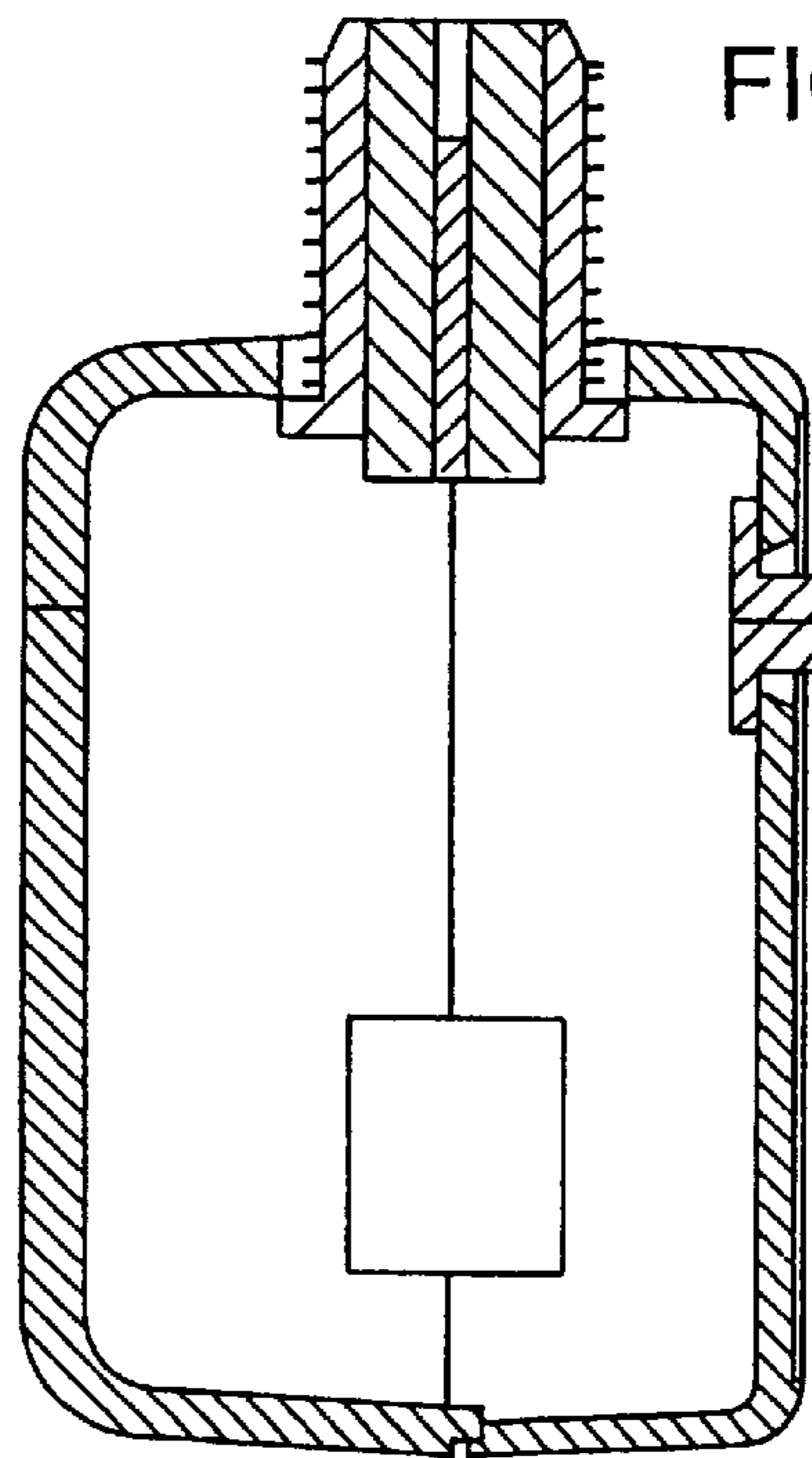


FIG. 19

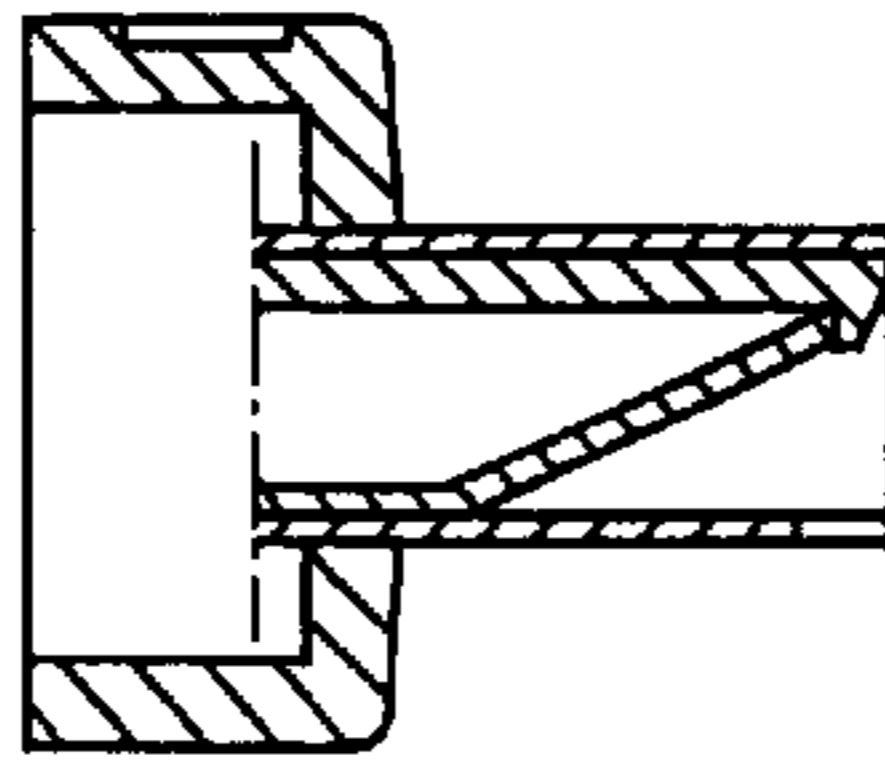


FIG. 20

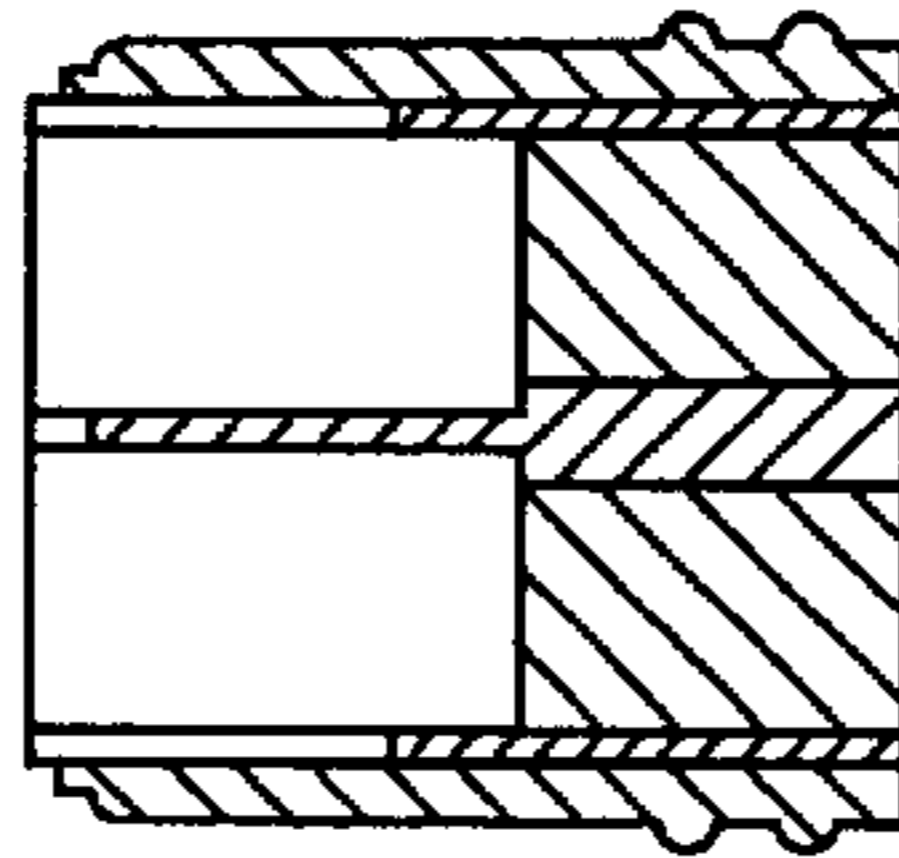


FIG. 21

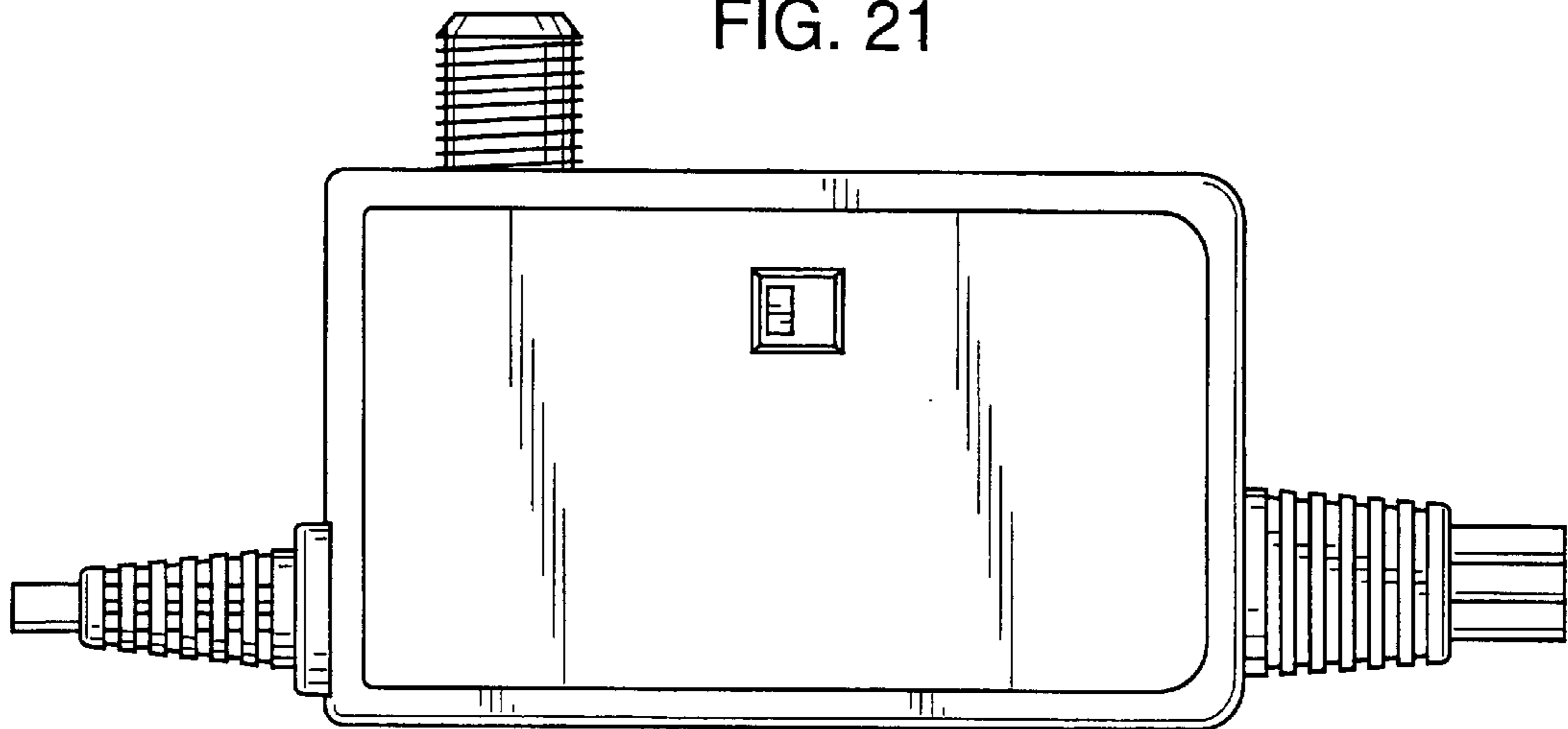


FIG. 22

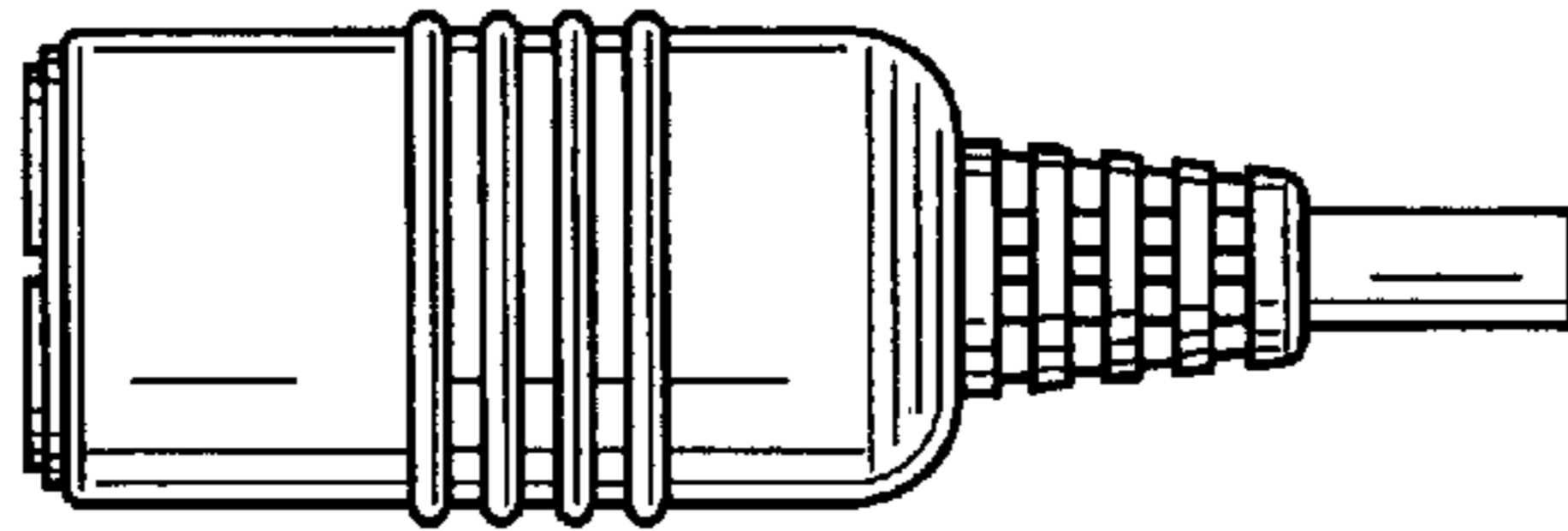


FIG. 23

