



US00D451471B1

(12) **United States Design Patent**
Liang

(10) **Patent No.:** **US D451,471 S**

(45) **Date of Patent:** **** Dec. 4, 2001**

(54) **BATTERY TERMINAL CONNECTOR**

5,707,258 * 1/1998 Pilotti 439/763

(76) Inventor: **Shih-Tsung Liang**, No. 10, Lane 31,
Ta-Feng St., Neitsou Tsun, Lu-Chu
Hsiang, Taoyuan County (TW)

* cited by examiner

Primary Examiner—Joel Sincavage

(74) *Attorney, Agent, or Firm*—Rosenberg, Klein & Lee

(**) Term: **14 Years**

(57) **CLAIM**

(21) Appl. No.: **29/133,634**

The ornamental design for a battery terminal connector, as shown and described.

(22) Filed: **Dec. 5, 2000**

DESCRIPTION

(51) **LOC (7) Cl.** **13-02**

(52) **U.S. Cl.** **D13/120**

(58) **Field of Search** D13/120; 439/762,
439/763, 764

FIG. 1 is a perspective view of a battery terminal connector showing my new design;

FIG. 2 is a top plain view thereof;

FIG. 3 is a bottom plain view thereof;

FIG. 4 is a front elevational view thereof;

FIG. 5 is a rear elevational view thereof;

FIG. 6 is a left side elevational view thereof; and,

FIG. 7 is a right side elevational view thereof.

(56) **References Cited**

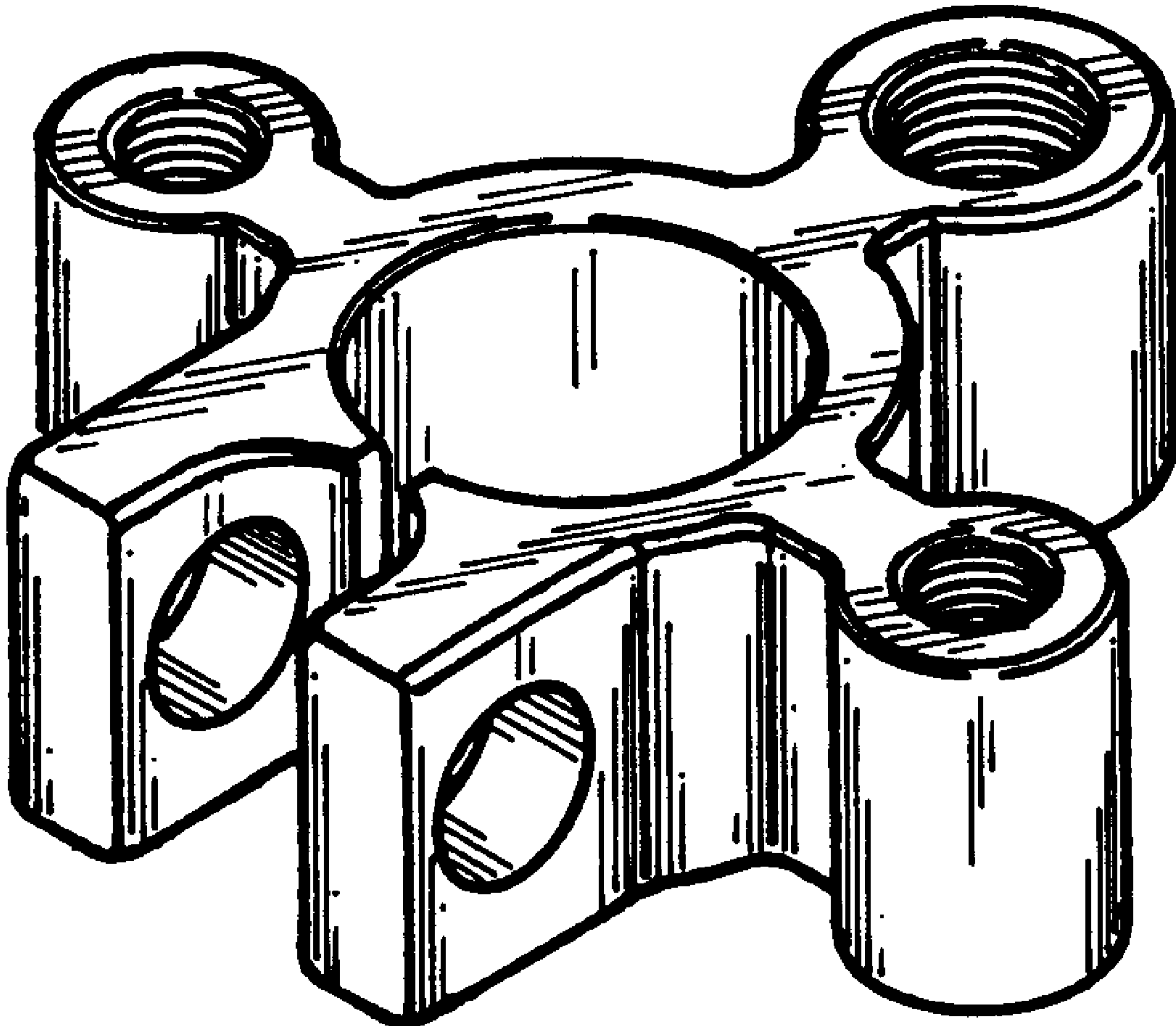
U.S. PATENT DOCUMENTS

Re. 26,486 * 11/1968 Haegert 439/762

D. 438,173 * 2/2001 Liang D13/120

4,636,025 * 1/1987 Norris 439/764 X

1 Claim, 4 Drawing Sheets



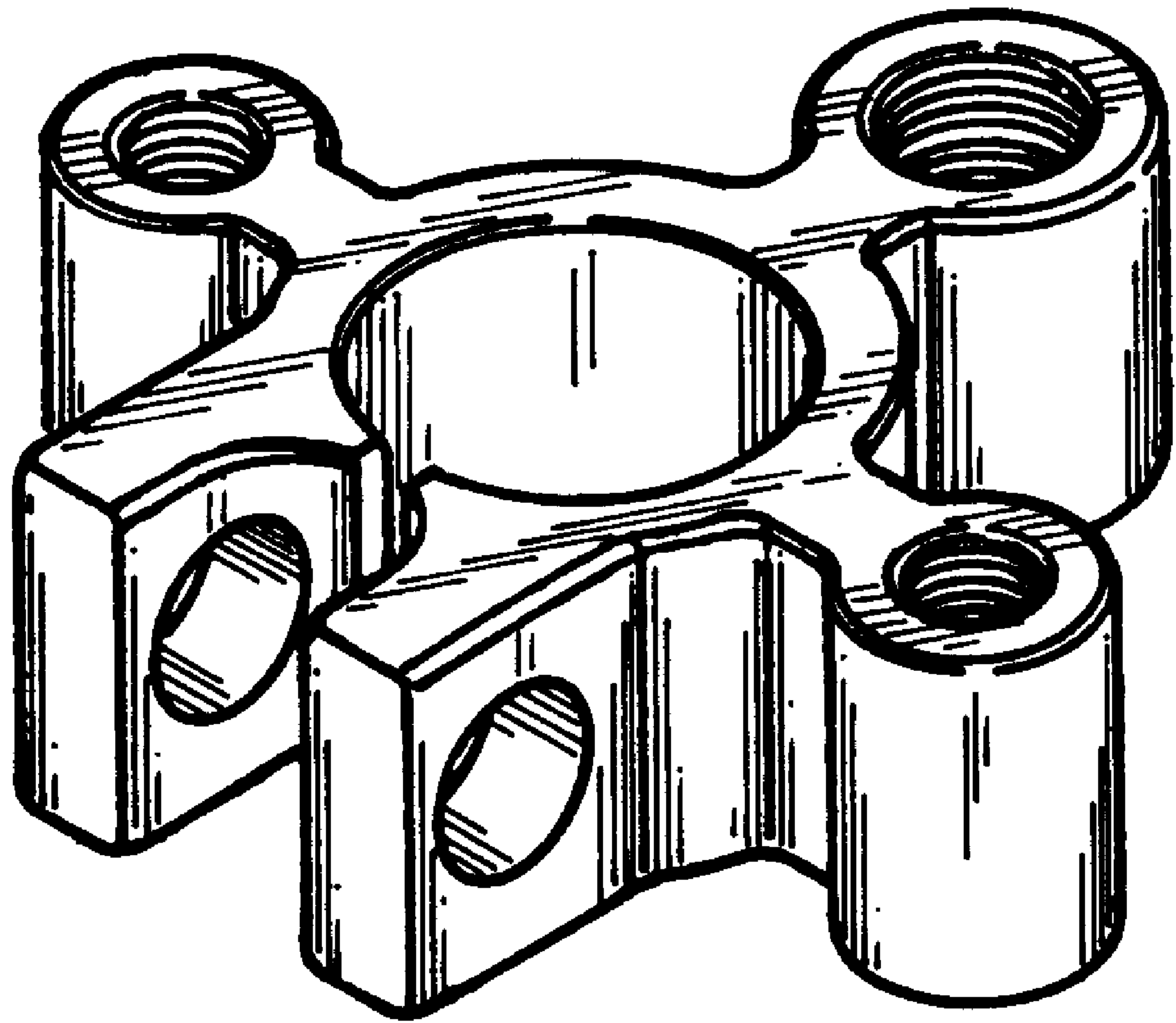


FIG. 1

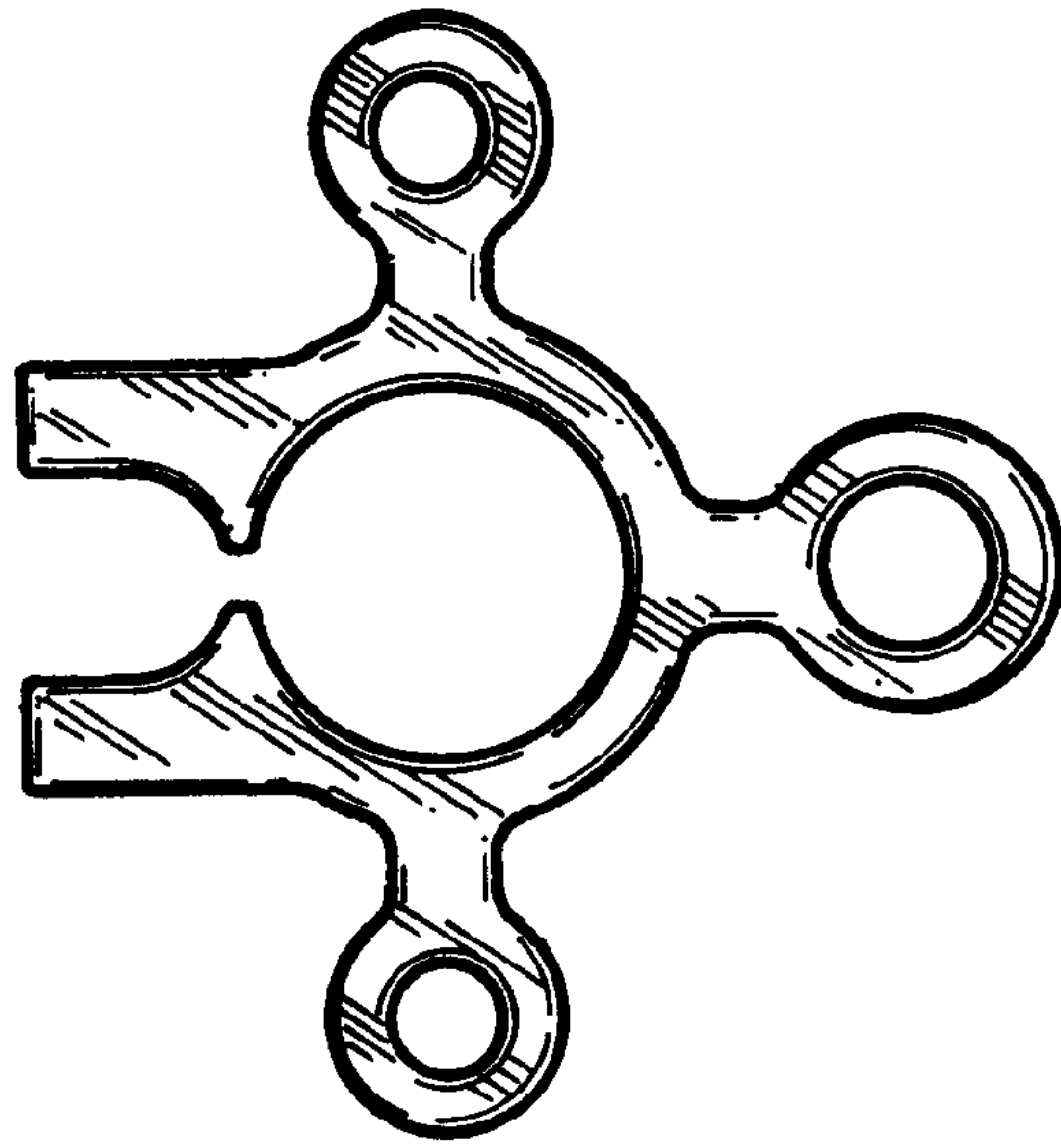


FIG. 2

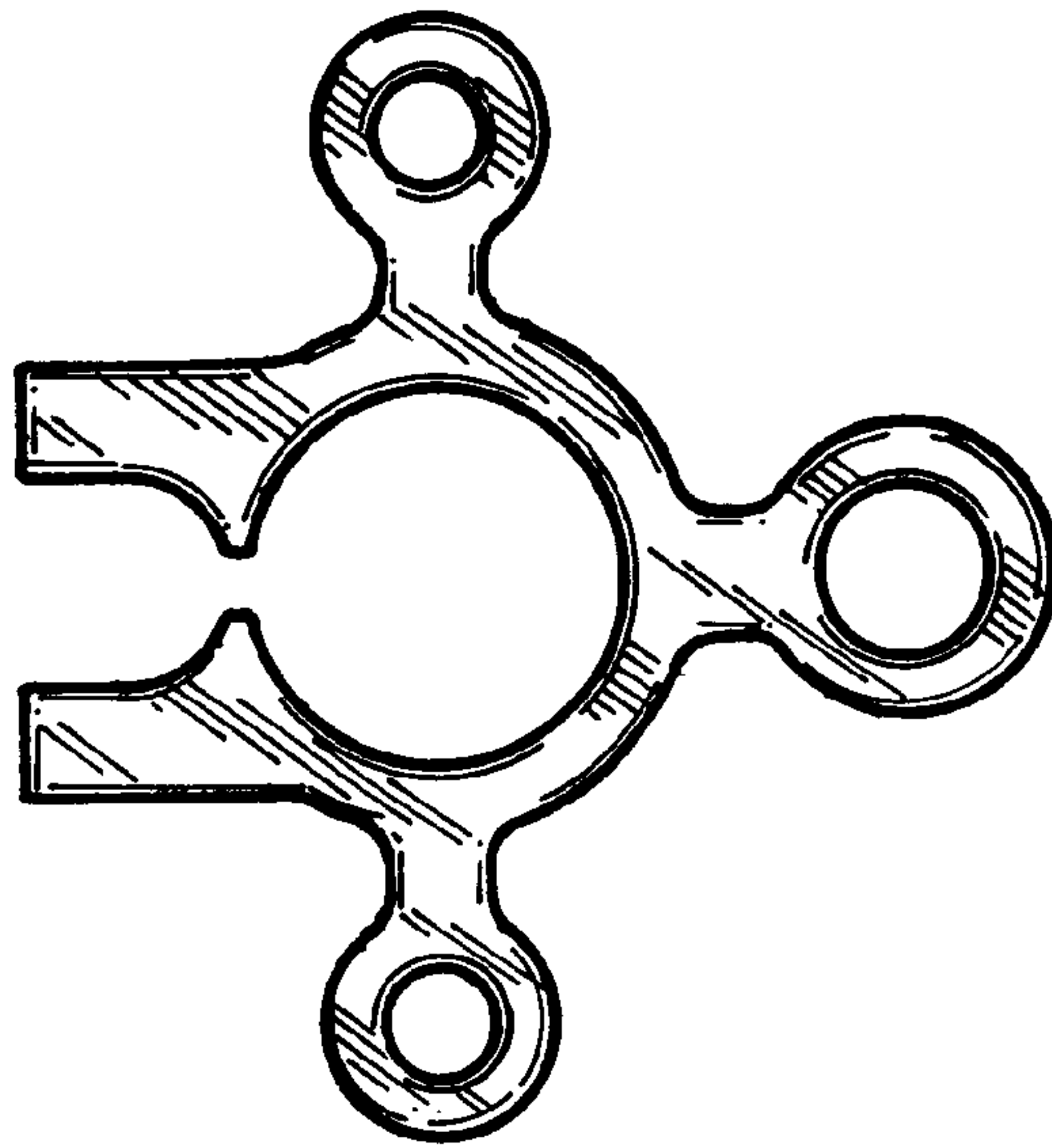


FIG. 3

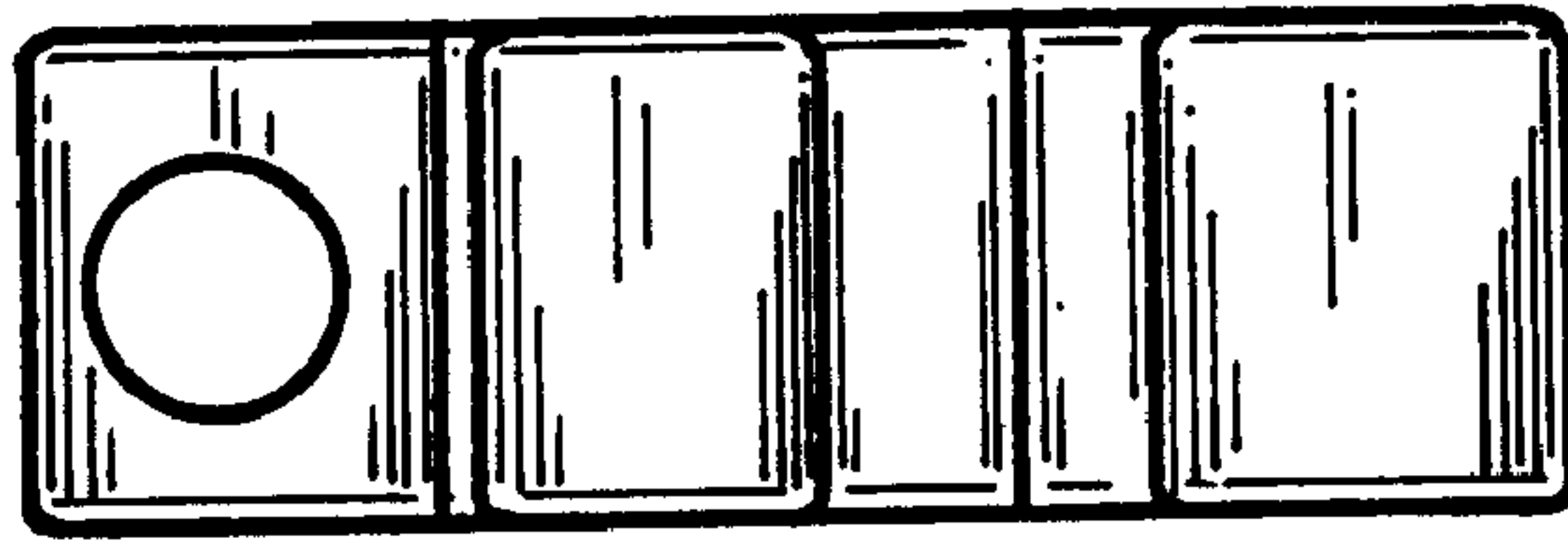


FIG. 4

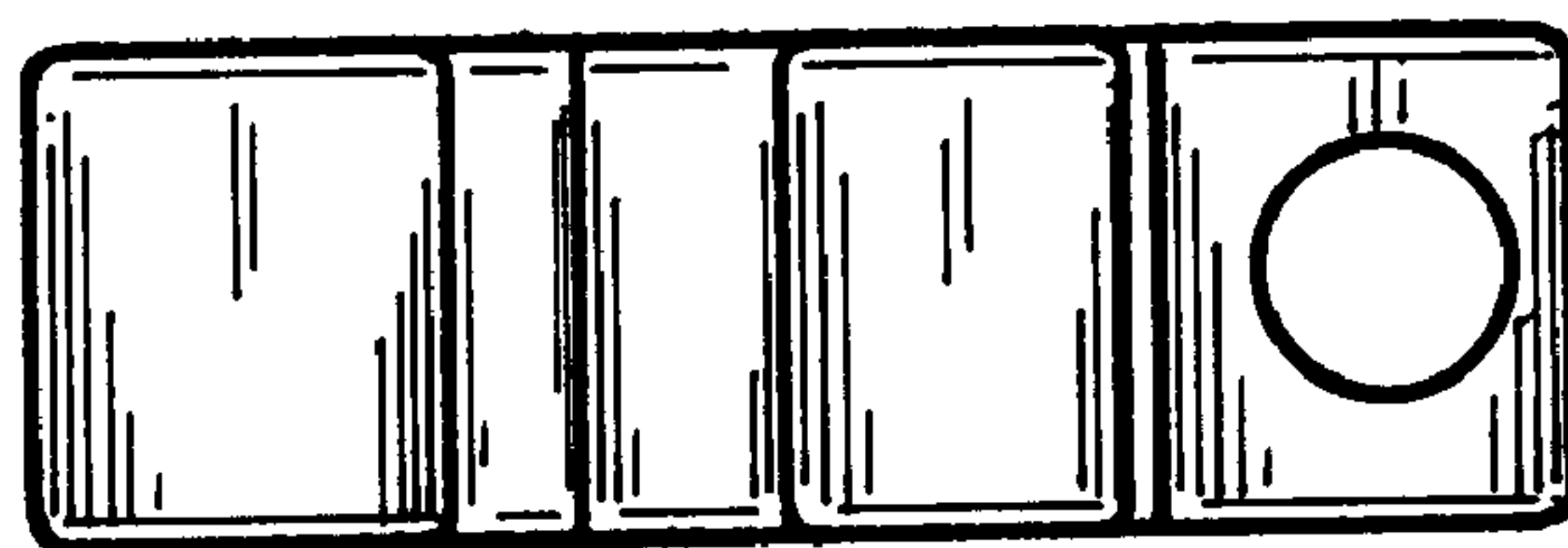


FIG. 5

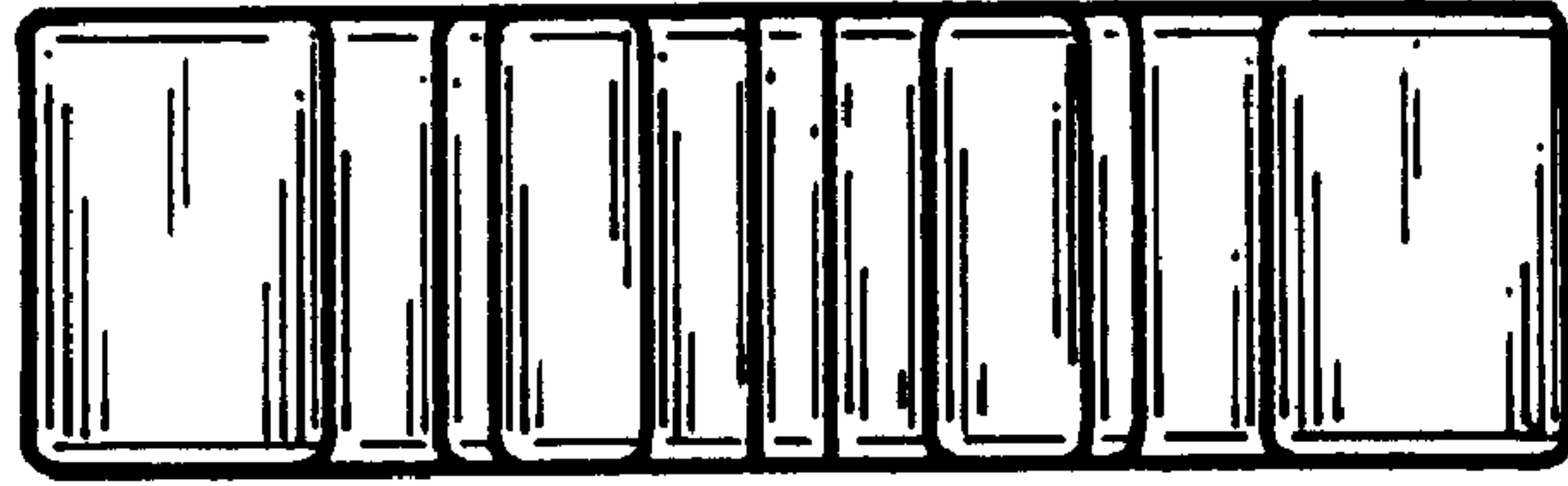


FIG. 6

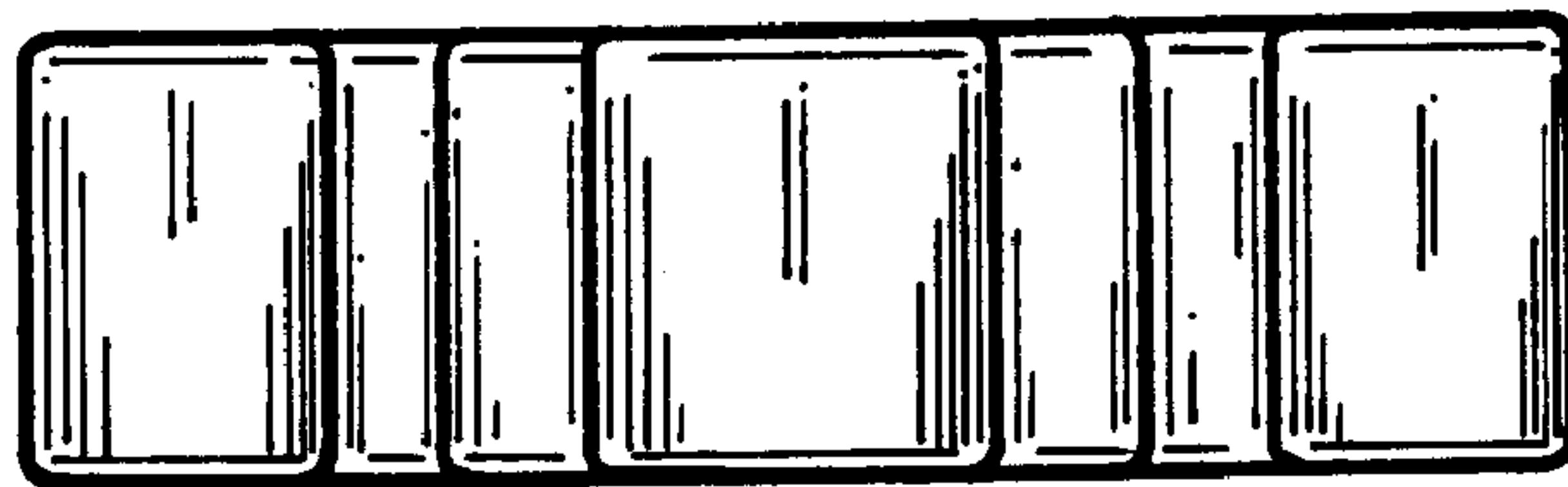


FIG. 7