



US00D451470B1

(12) **United States Design Patent**  
**Liang**

(10) **Patent No.:** **US D451,470 S**

(45) **Date of Patent:** **\*\* Dec. 4, 2001**

(54) **BATTERY TERMINAL CONNECTOR**

5,707,258 \* 1/1998 Pilotti ..... 439/763

(76) Inventor: **Shih-Tsung Liang**, No. 10, Lane 31,  
Ta-Feng St., Neitsou Tsun, Lu-Chu  
Hsiang, Taoyuan County (TW)

\* cited by examiner

*Primary Examiner*—Joel Sincavage

(74) *Attorney, Agent, or Firm*—Rosenberg, Klein & Lee

(\*\*) Term: **14 Years**

(57) **CLAIM**

(21) Appl. No.: **29/133,630**

The ornamental design for a battery terminal connector, as shown and described.

(22) Filed: **Dec. 5, 2000**

**DESCRIPTION**

(51) **LOC (7) Cl.** ..... **13-02**

(52) **U.S. Cl.** ..... **D13/120**

(58) **Field of Search** ..... D13/120; 439/762,  
439/763, 764

FIG. 1 is a perspective view of a battery terminal connector showing my new design;

FIG. 2 is a top plain view thereof;

FIG. 3 is a bottom plain view thereof;

FIG. 4 is a front elevational view thereof;

FIG. 5 is a rear elevational view thereof;

FIG. 6 is a left side elevational view thereof; and,

FIG. 7 is a right side elevational view thereof.

(56) **References Cited**

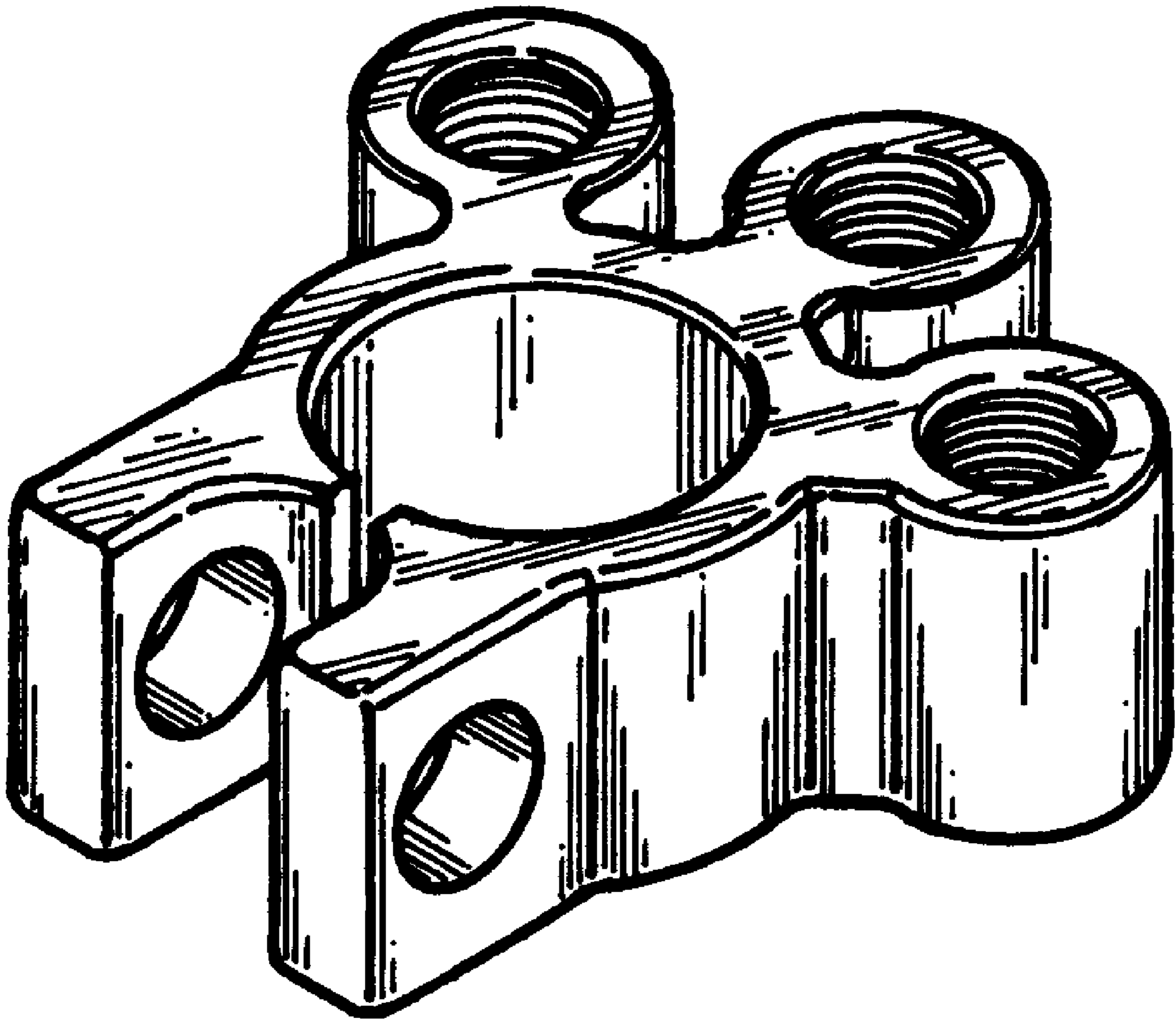
**U.S. PATENT DOCUMENTS**

Re. 26,486 \* 11/1968 Haegert ..... 439/762

D. 438,173 \* 2/2001 Liang ..... D13/120

4,636,025 \* 1/1987 Norris ..... 439/764 X

**1 Claim, 4 Drawing Sheets**



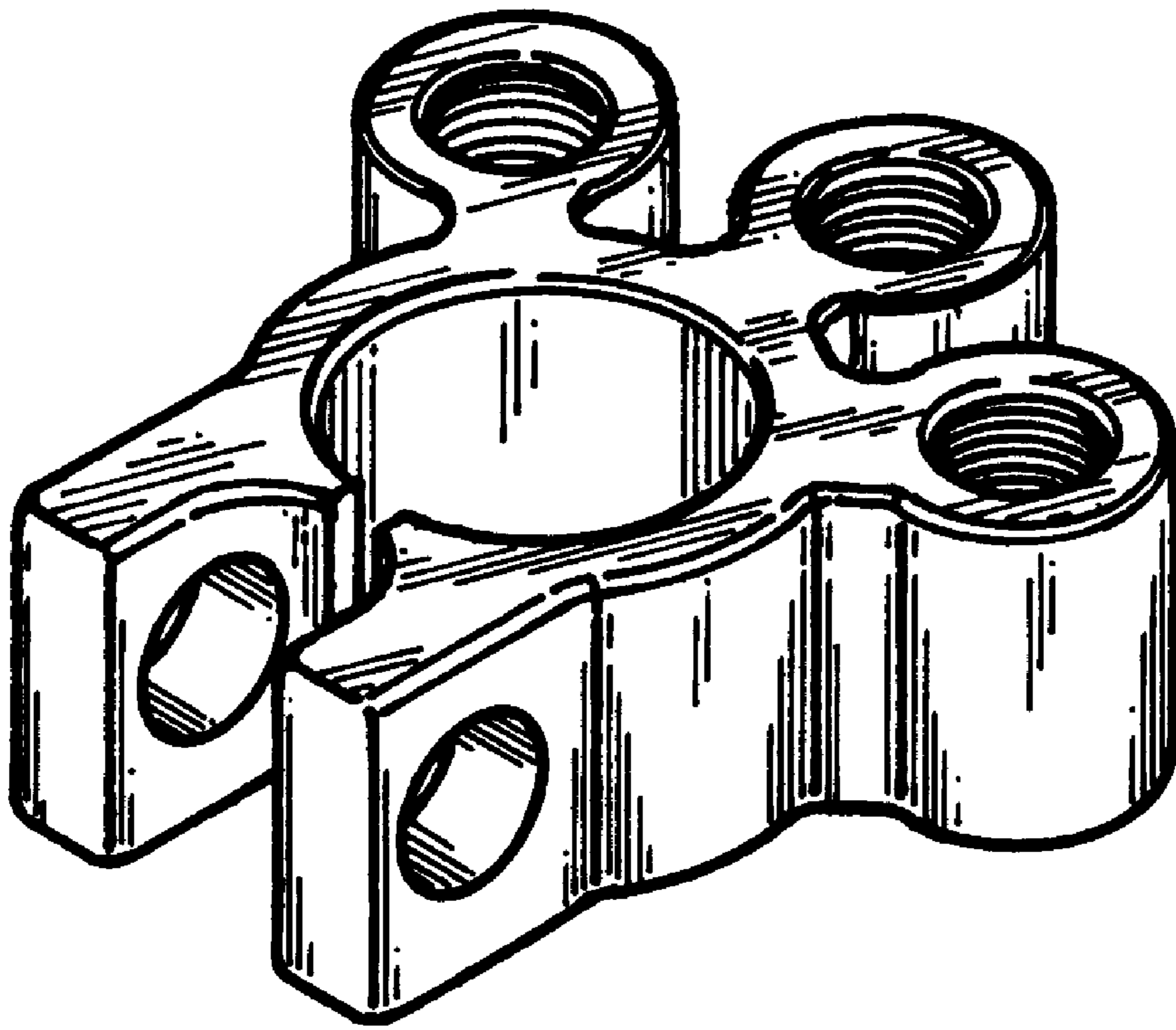


FIG. 1

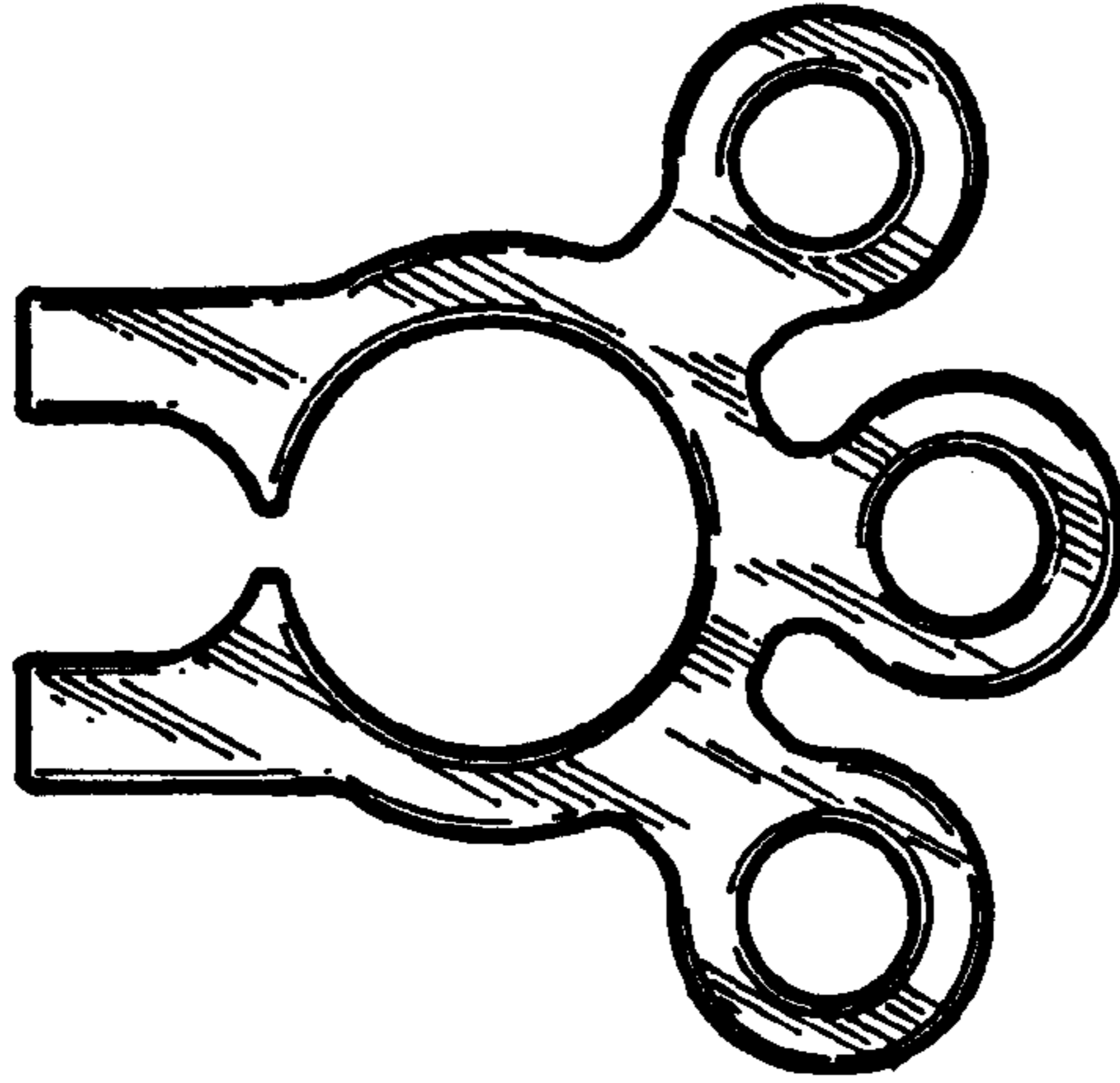


FIG. 2

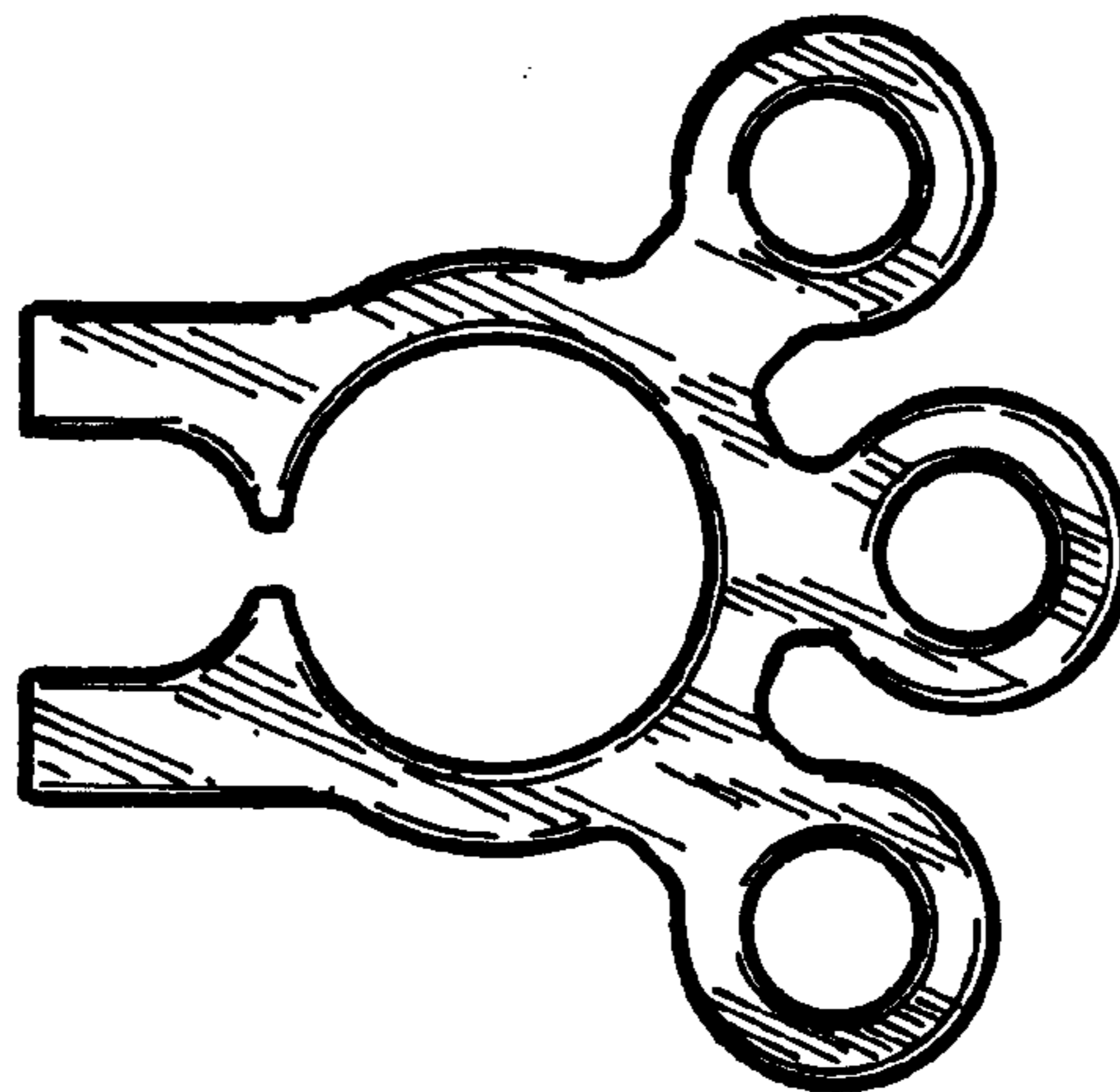


FIG. 3



FIG. 4



FIG. 5



FIG. 6

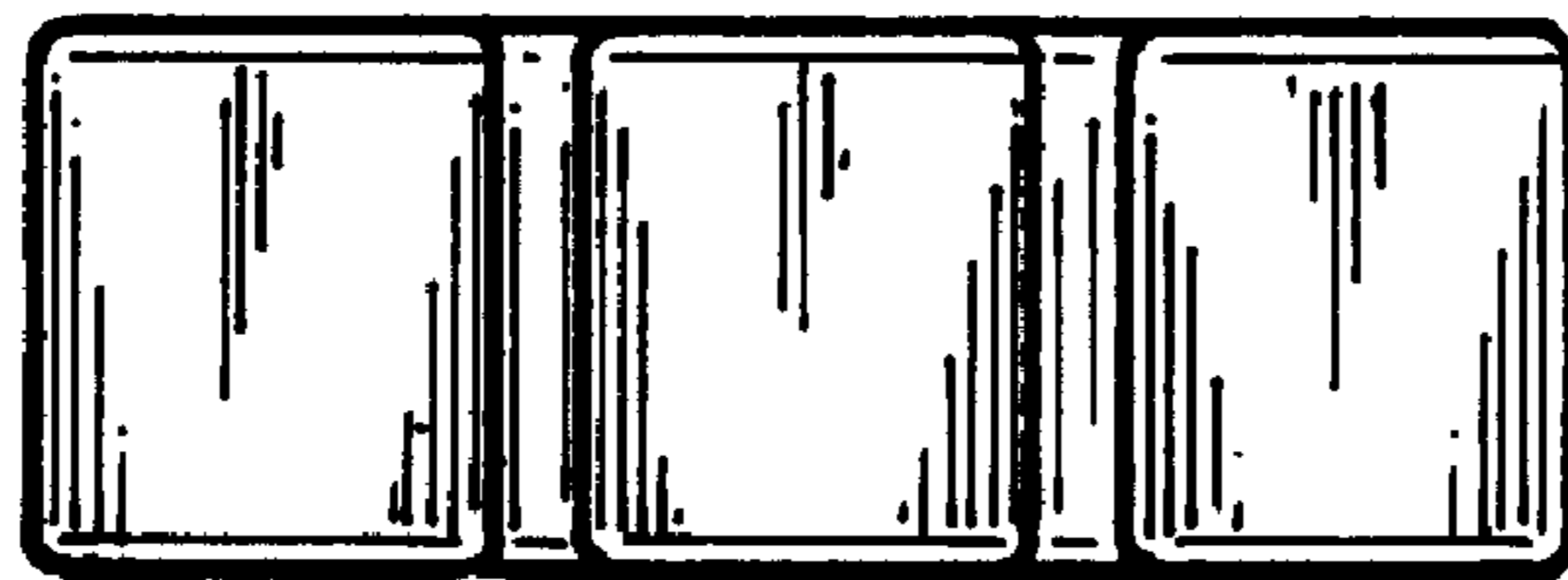


FIG. 7