



US00D451469B1

(12) **United States Design Patent**  
**Tripp**

(10) **Patent No.:** **US D451,469 S**

(45) **Date of Patent:** **\*\* Dec. 4, 2001**

(54) **IGNITION COIL**

6,114,933 \* 9/2000 Widiger et al. .... 336/96

(75) Inventor: **Graydon S. Tripp**, Hillsboro, OH (US)

\* cited by examiner

(73) Assignee: **Weastec, Inc.**, Hillsboro, OH (US)

*Primary Examiner*—Joel Sincavage

(\*\*) Term: **14 Years**

(74) *Attorney, Agent, or Firm*—Frost Brown Todd LLC

(21) Appl. No.: **29/113,599**

(57) **CLAIM**

(22) Filed: **Nov. 5, 1999**

The ornamental design for an ignition coil, as shown and described.

(51) **LOC (7) Cl.** ..... **13-01**

(52) **U.S. Cl.** ..... **D13/117**

(58) **Field of Search** ..... D13/117, 126;  
123/634; 336/107, 192, 96

**DESCRIPTION**

(56) **References Cited**

**U.S. PATENT DOCUMENTS**

5,285,760	*	2/1994	Takaishi et al. ....	123/634
5,313,927	*	5/1994	Takaishi .....	123/634
5,359,982	*	11/1994	Taruya .....	123/634
5,485,135	*	1/1996	Hipp .....	336/96
5,485,825	*	1/1996	Shimizu et al. ....	123/634
5,697,352	*	12/1997	Shimizu et al. ....	123/634
5,714,922	*	2/1998	Suzuki et al. ....	336/107
5,870,012	*	2/1999	Sakamaki et al. ....	336/107
5,986,532	*	11/1999	Kikuta et al. ....	336/96 X
6,011,457	*	1/2000	Sakamaki et al. ....	336/96

FIG. 1 is a front elevational view of the ignition coil of the present invention.

FIG. 2 is a left side elevational view thereof.

FIG. 3 is a right side elevational view thereof.

FIG. 4 is a rear elevational view thereof.

FIG. 5 is a top plan view thereof.

FIG. 6 is a bottom plan view thereof.

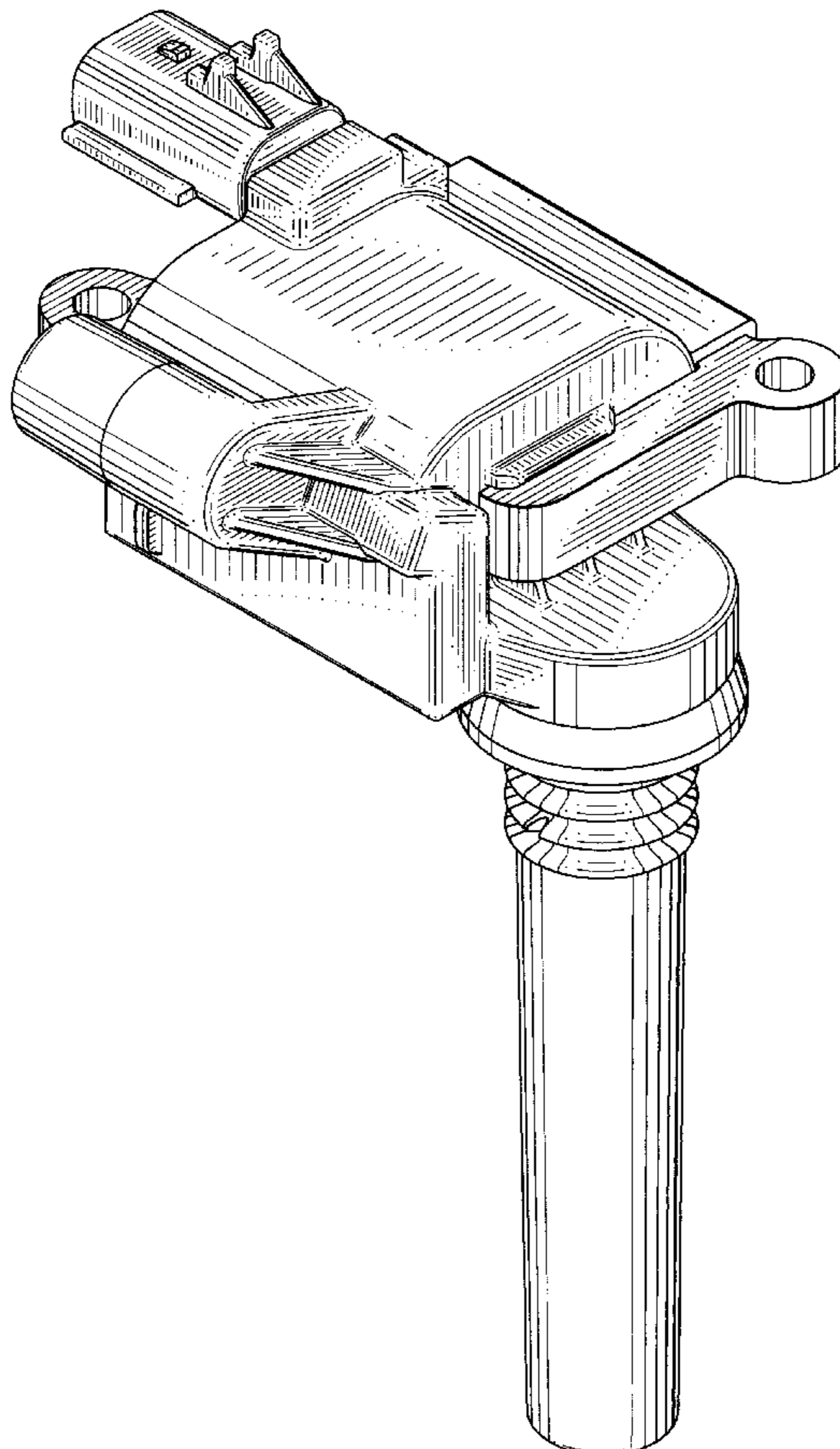
FIG. 7 is a top, left perspective view as seen from the front thereof.

FIG. 8 is a top, right perspective view as seen from the front thereof.

FIG. 9 is a top, left perspective view as seen from the rear thereof; and,

FIG. 10 is a top, right perspective view as seen from the rear thereof.

**1 Claim, 10 Drawing Sheets**



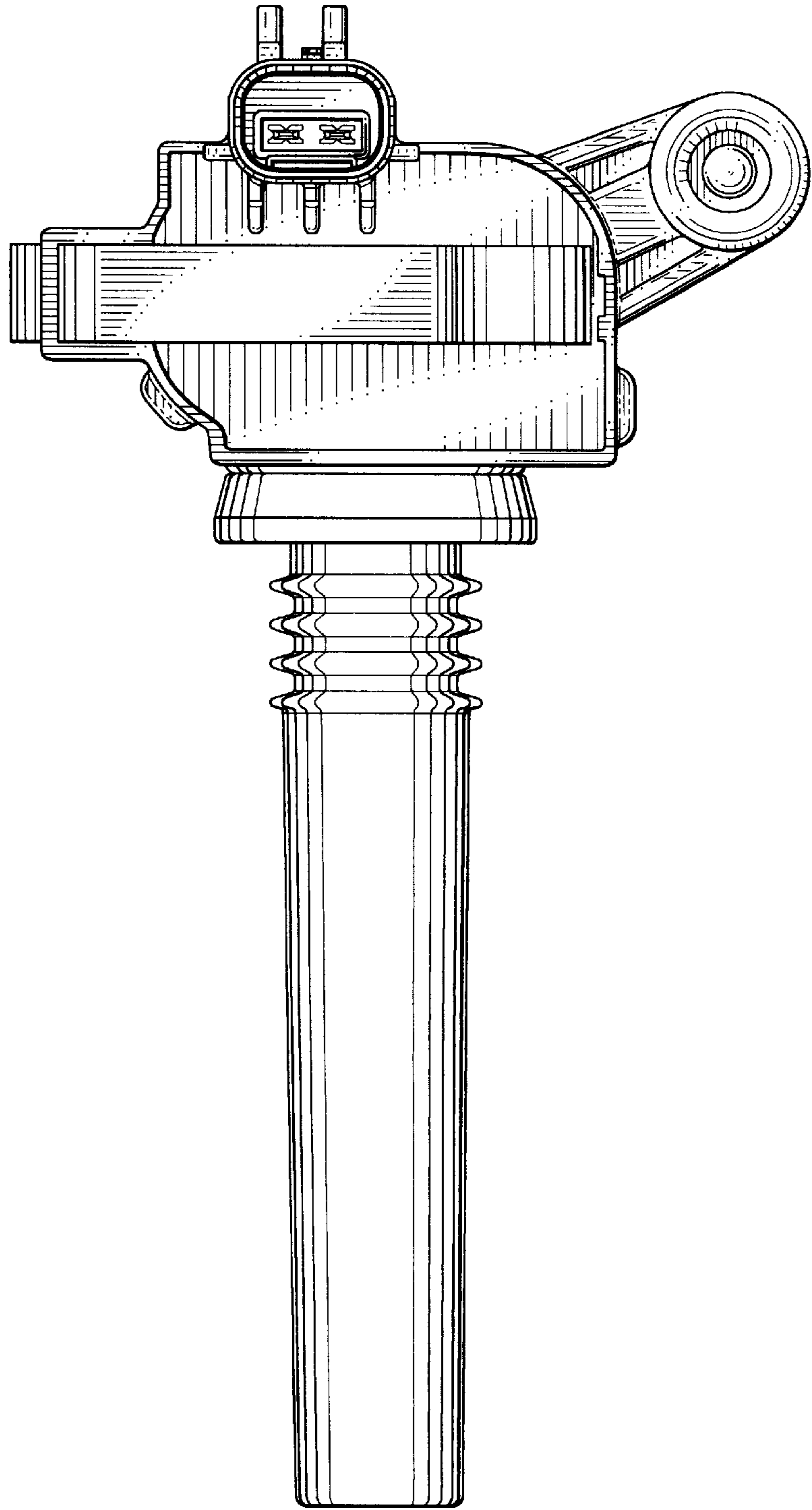


FIG. 1

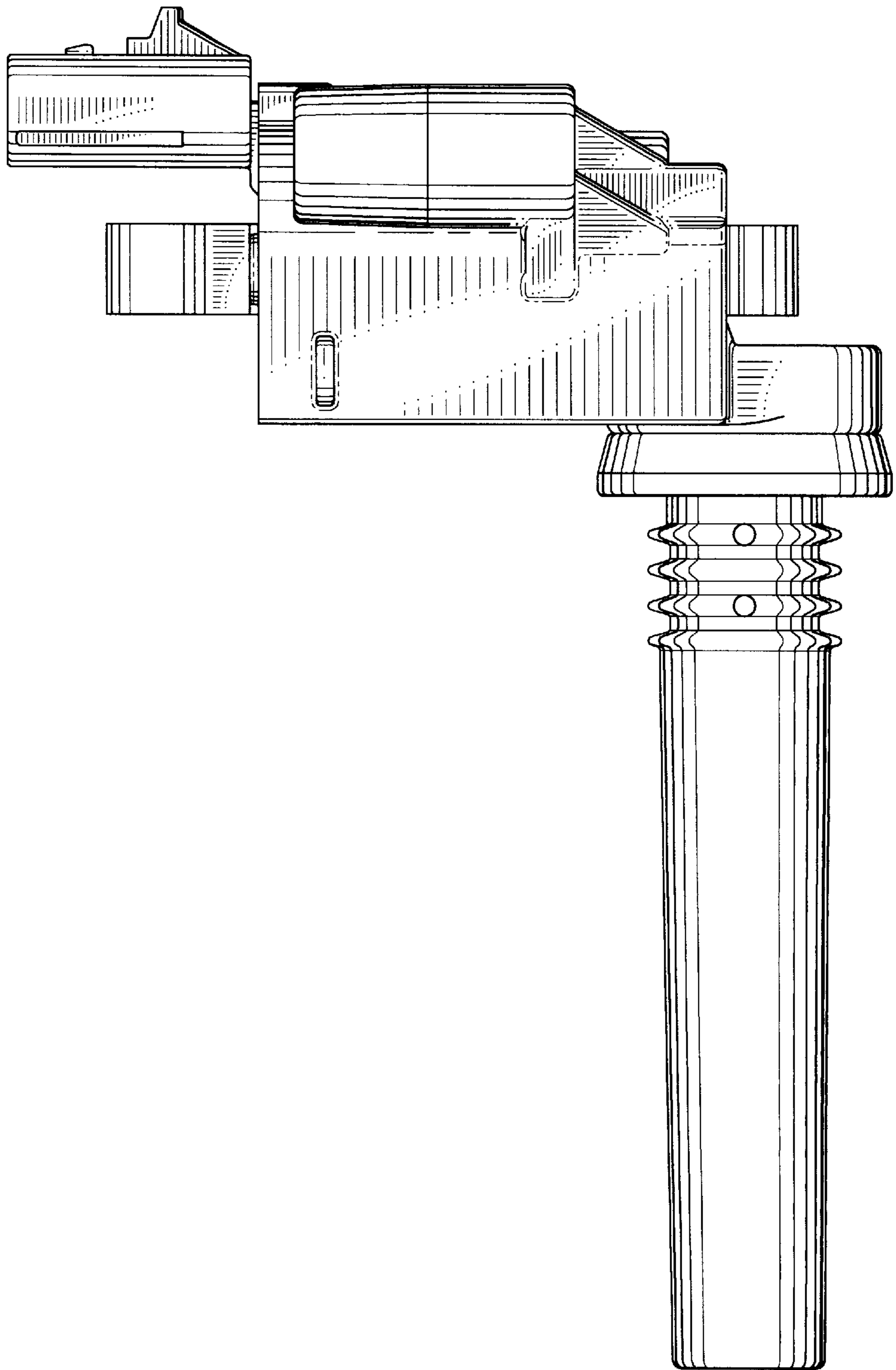


FIG. 2

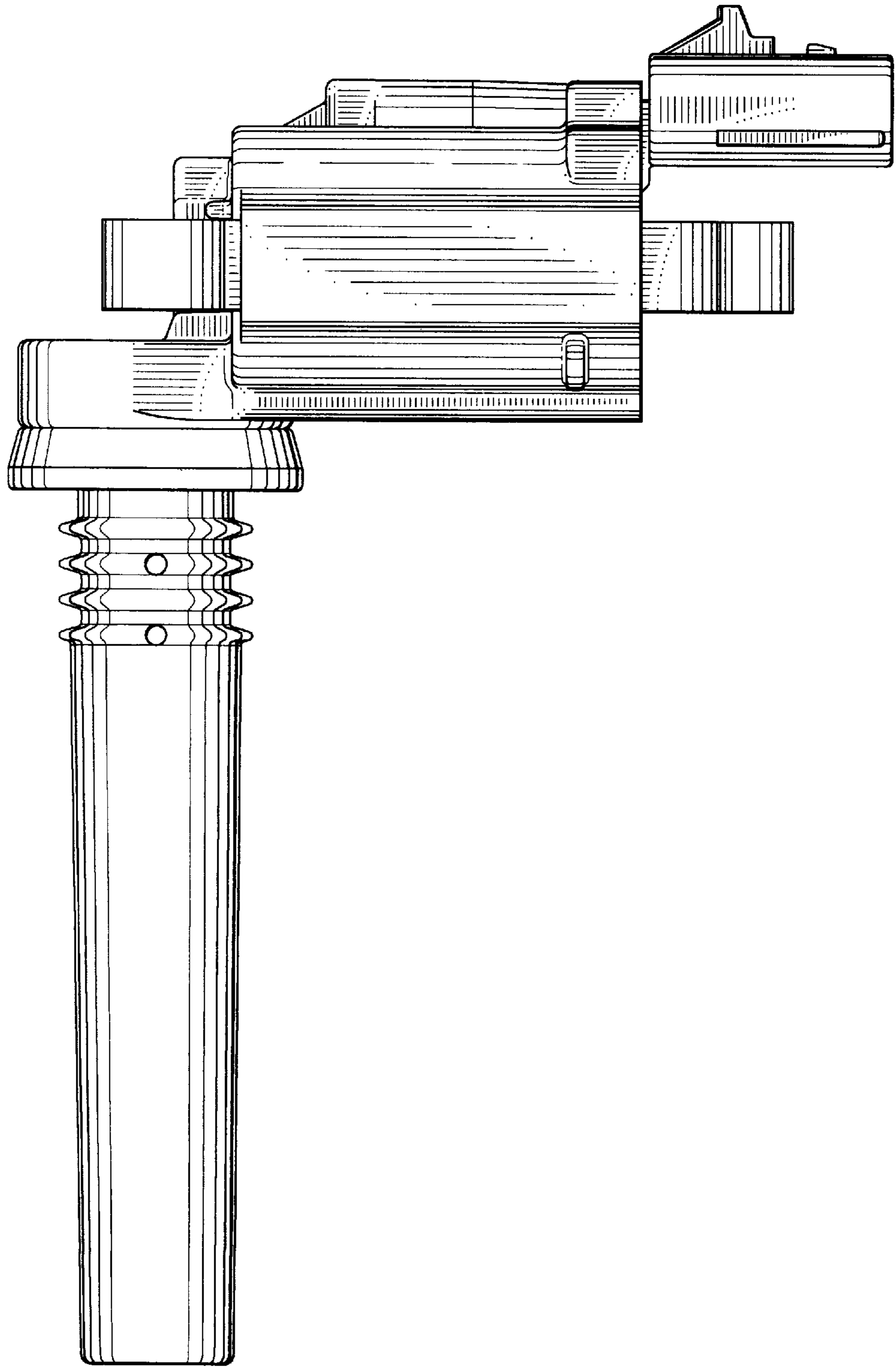


FIG. 3

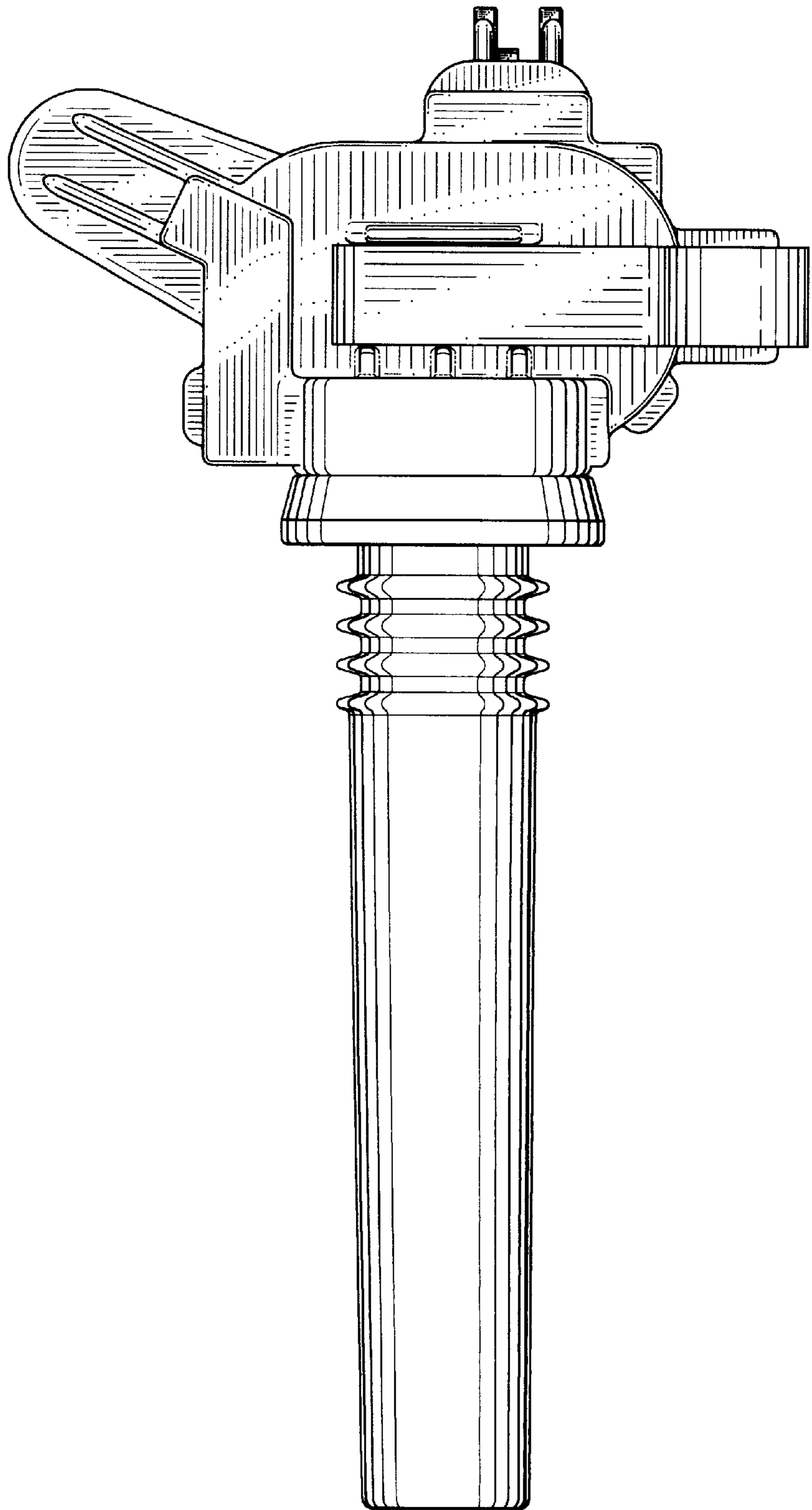


FIG. 4

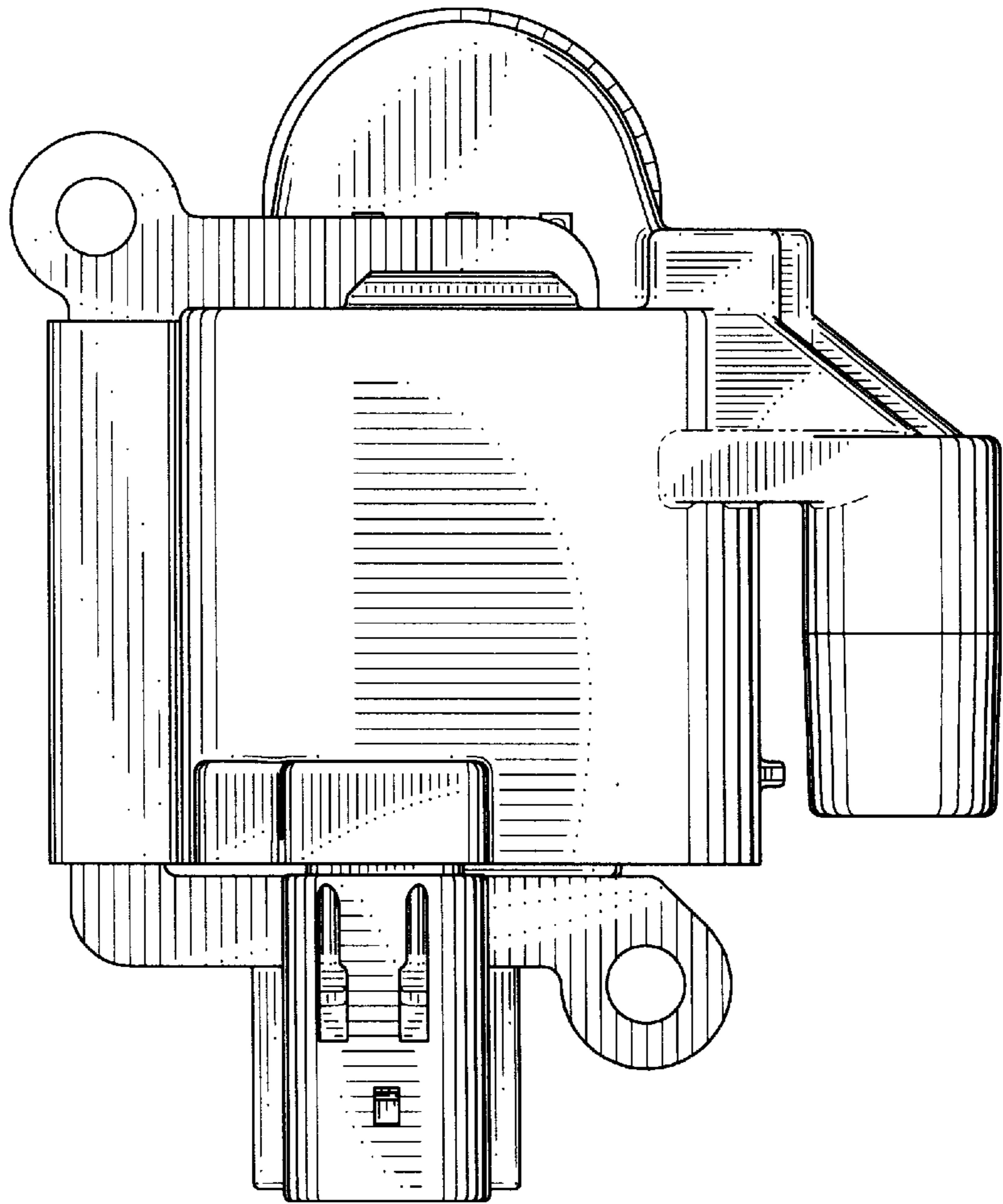


FIG. 5

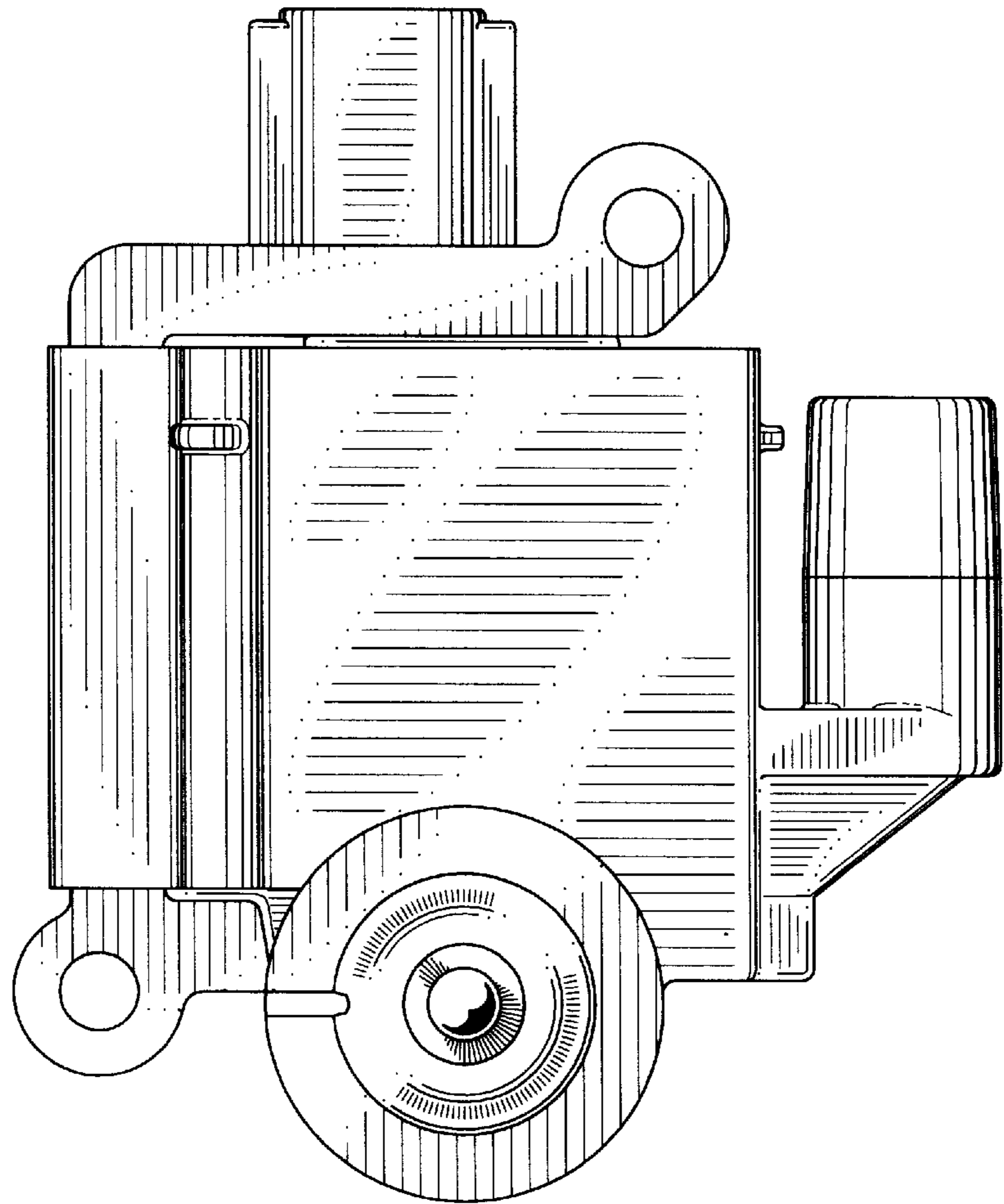


FIG. 6

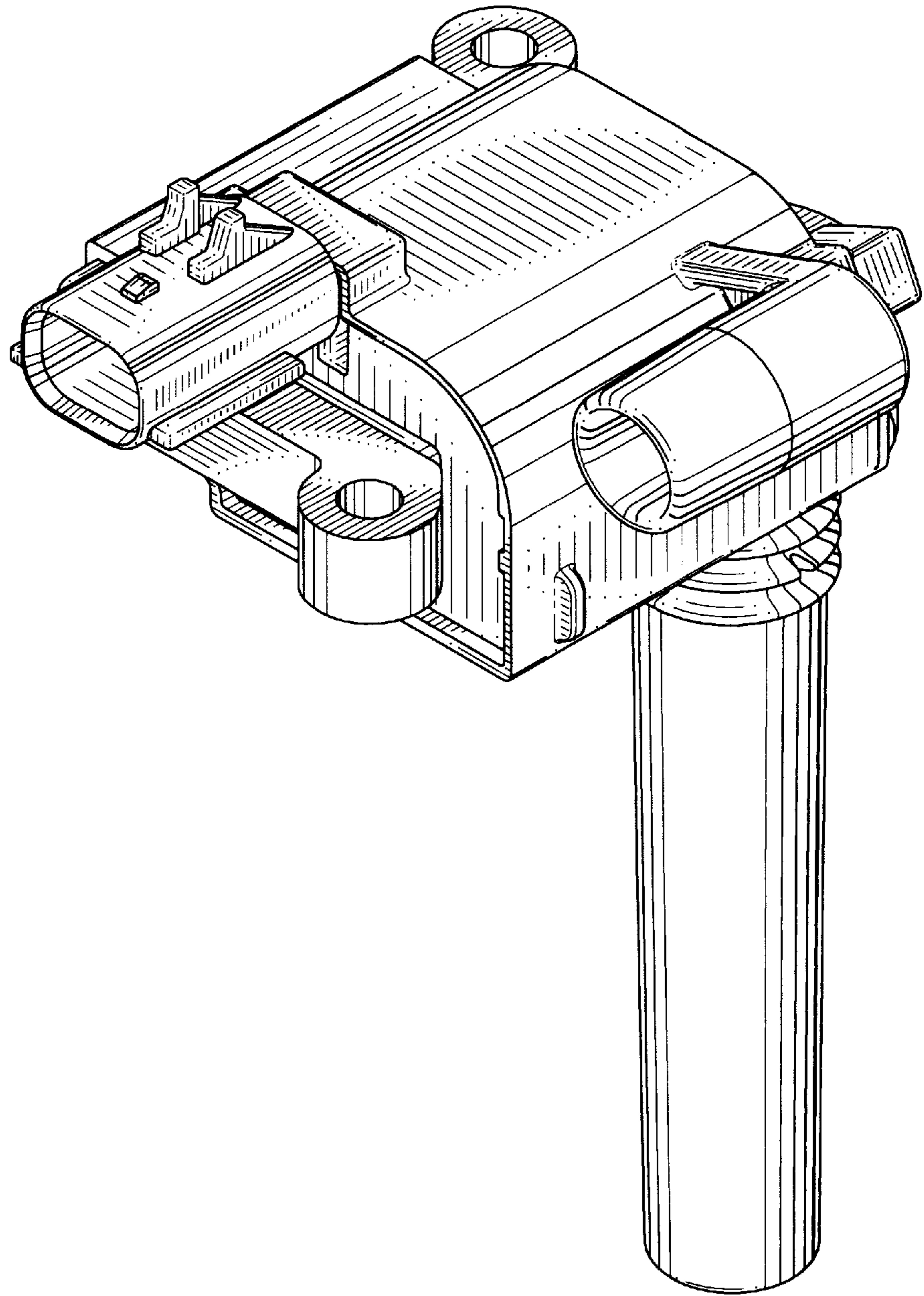


FIG. 7



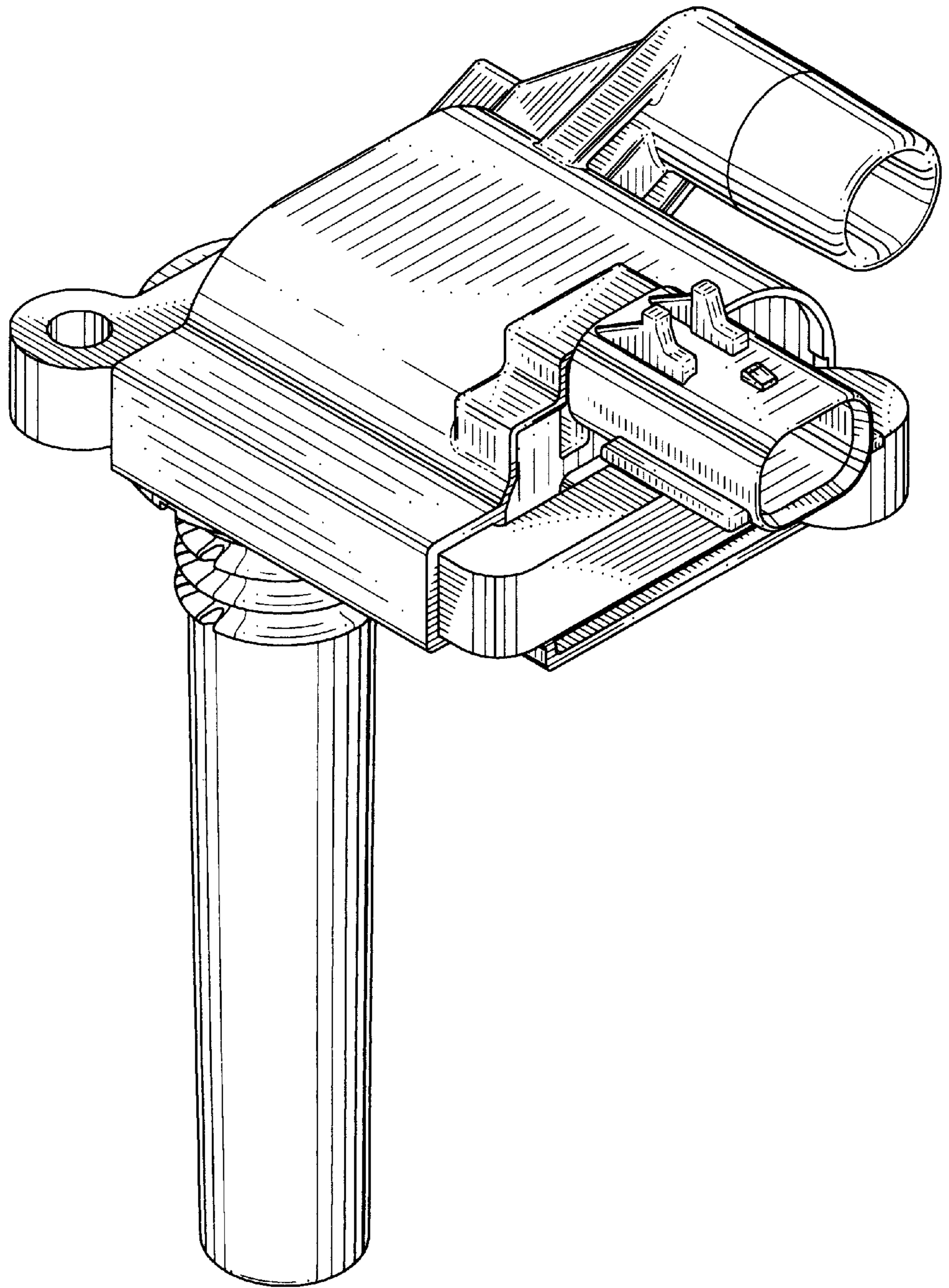


FIG. 8

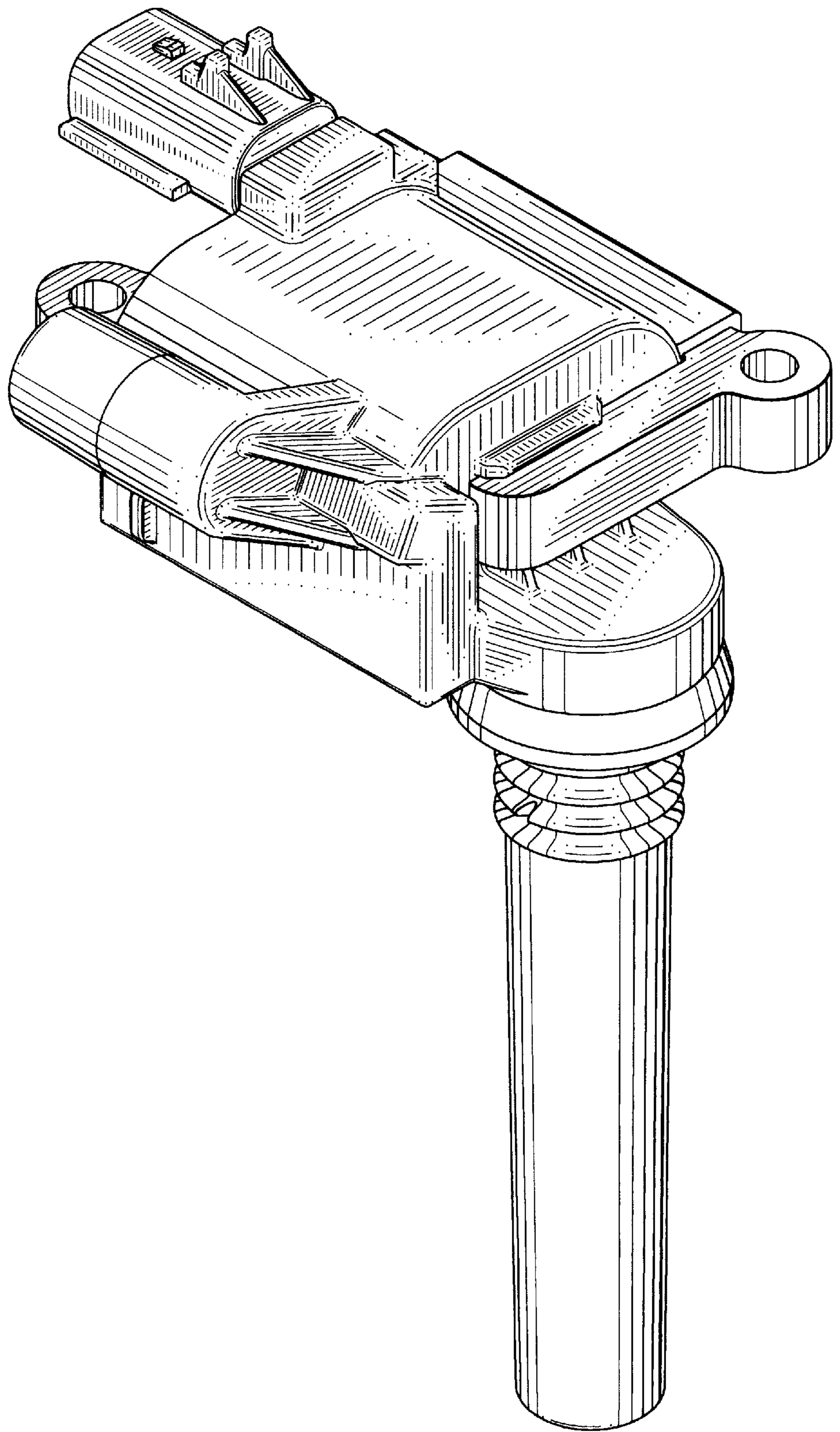


FIG. 9

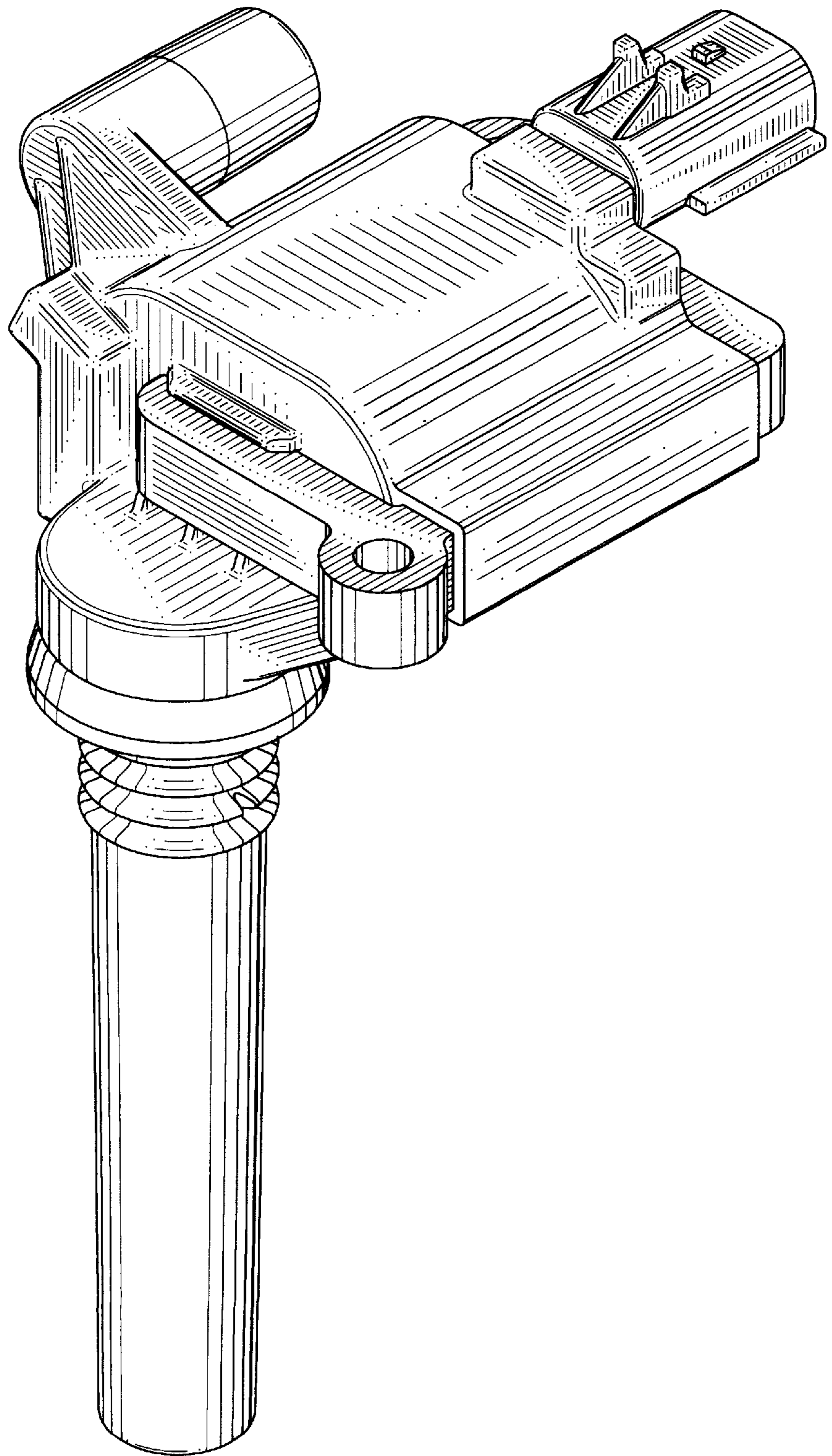


FIG. 10