



US00D451468B1

(12) **United States Design Patent**  
**Tobias**

(10) **Patent No.:** **US D451,468 S**

(45) **Date of Patent:** **\*\* Dec. 4, 2001**

(54) **BOAT DRAIN PLUG**

*Primary Examiner*—Lisa Lichtenstein

(76) **Inventor:** **Stewart W. Tobias**, 1611 18th Ave. Dr.  
E., Palmetto, FL (US) 34221

(57) **CLAIM**

(\*\*) **Term:** **14 Years**

The ornamental design for a boat drain plug, as shown and described.

(21) **Appl. No.:** **29/129,913**

**DESCRIPTION**

(22) **Filed:** **Sep. 25, 2000**

(51) **LOC (7) Cl.** ..... **12-06**

(52) **U.S. Cl.** ..... **D12/317**

(58) **Field of Search** ..... D12/317; 114/221 R,  
114/197, 198

FIG. 1 is a front elevational view of a boat drain plug showing my new design;

FIG. 2 is a side elevational view thereof, the opposite side being a mirror image of that shown;

FIG. 3 is a rear elevational view thereof;

FIG. 4 is a top plan view thereof; and,

FIG. 5 is a bottom plan view thereof.

The broken line showing of environmental structure in FIGS. 1-5 is for illustrative purposes only and forms no part of the claimed design.

(56) **References Cited**

**U.S. PATENT DOCUMENTS**

|           |   |         |         |       |         |
|-----------|---|---------|---------|-------|---------|
| 3,049,088 | * | 8/1962  | Curtis  | ..... | 114/197 |
| 4,516,515 | * | 5/1985  | Johnson | ..... | 114/197 |
| 5,966,080 | * | 10/1999 | Bigsby  | ..... | 114/197 |

\* cited by examiner

**1 Claim, 1 Drawing Sheet**

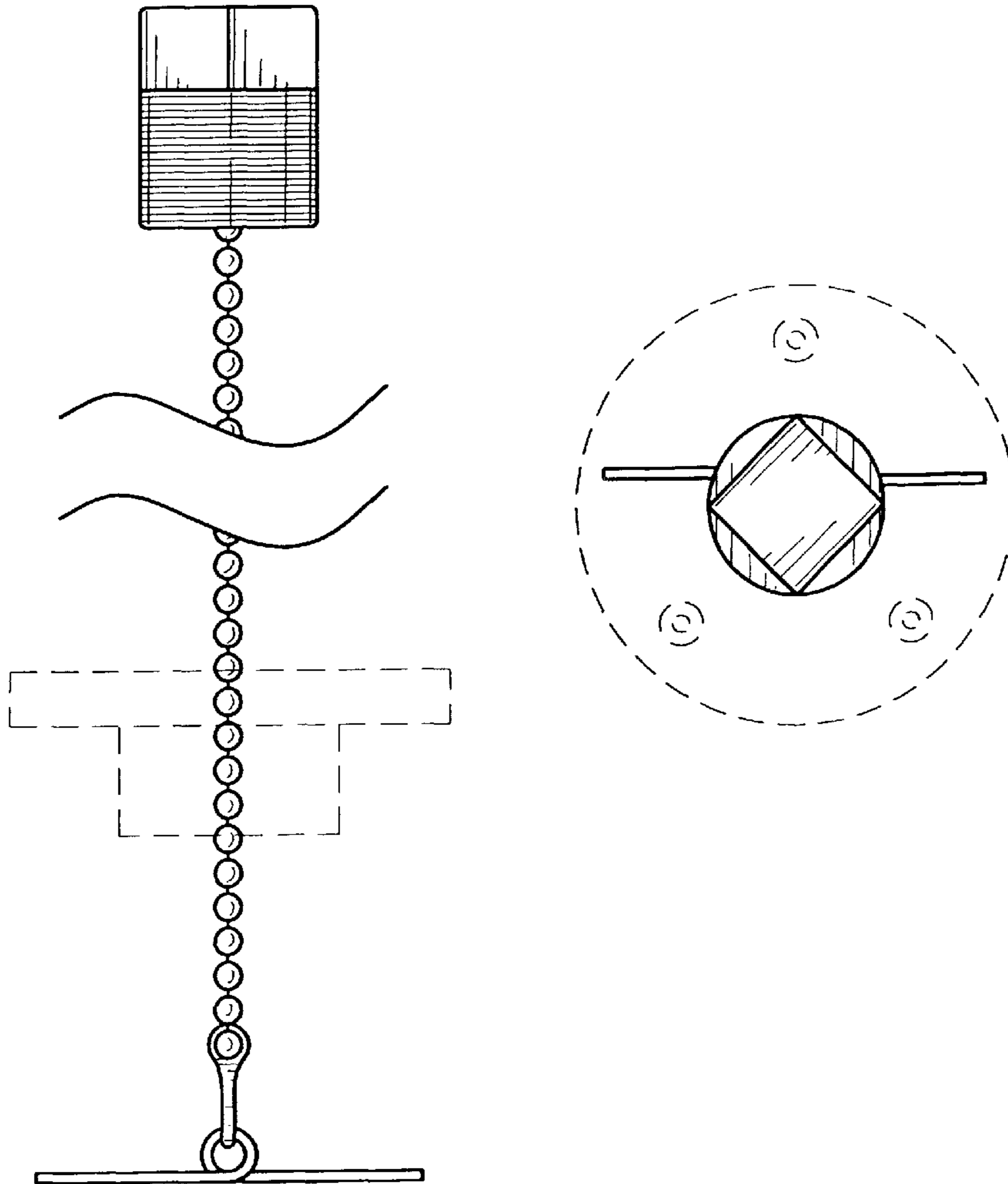


FIG. 4

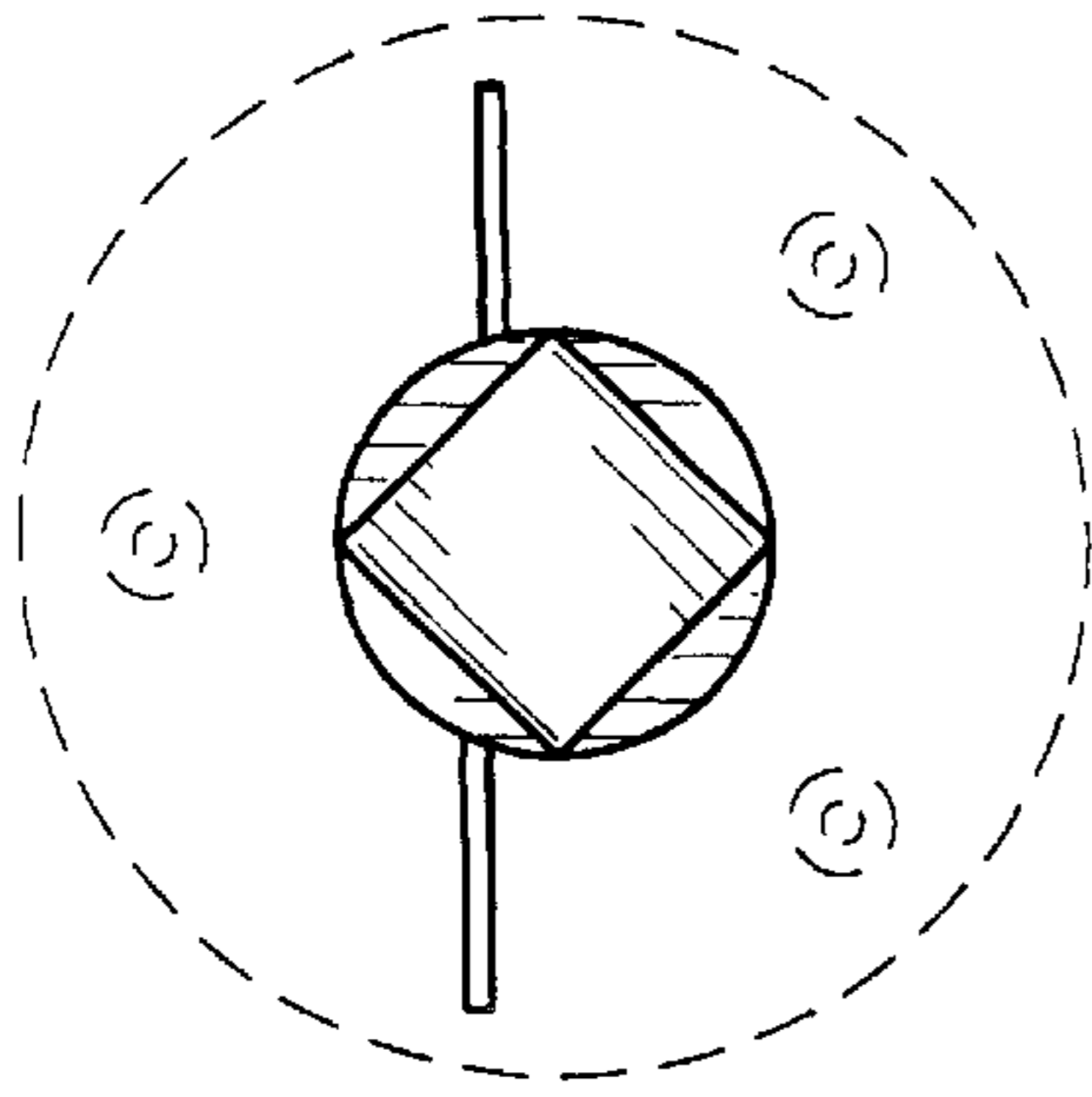


FIG. 5

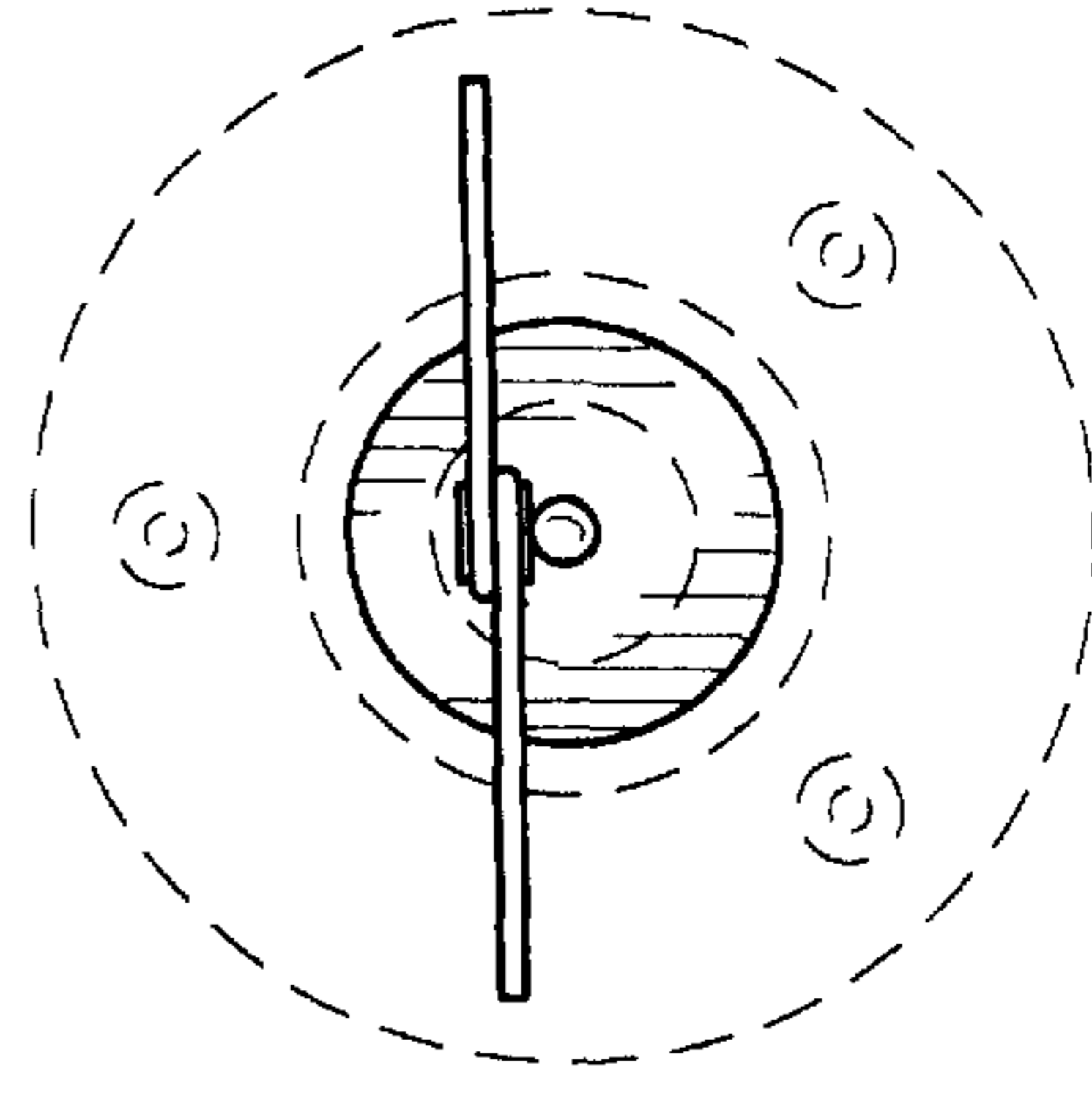


FIG. 3

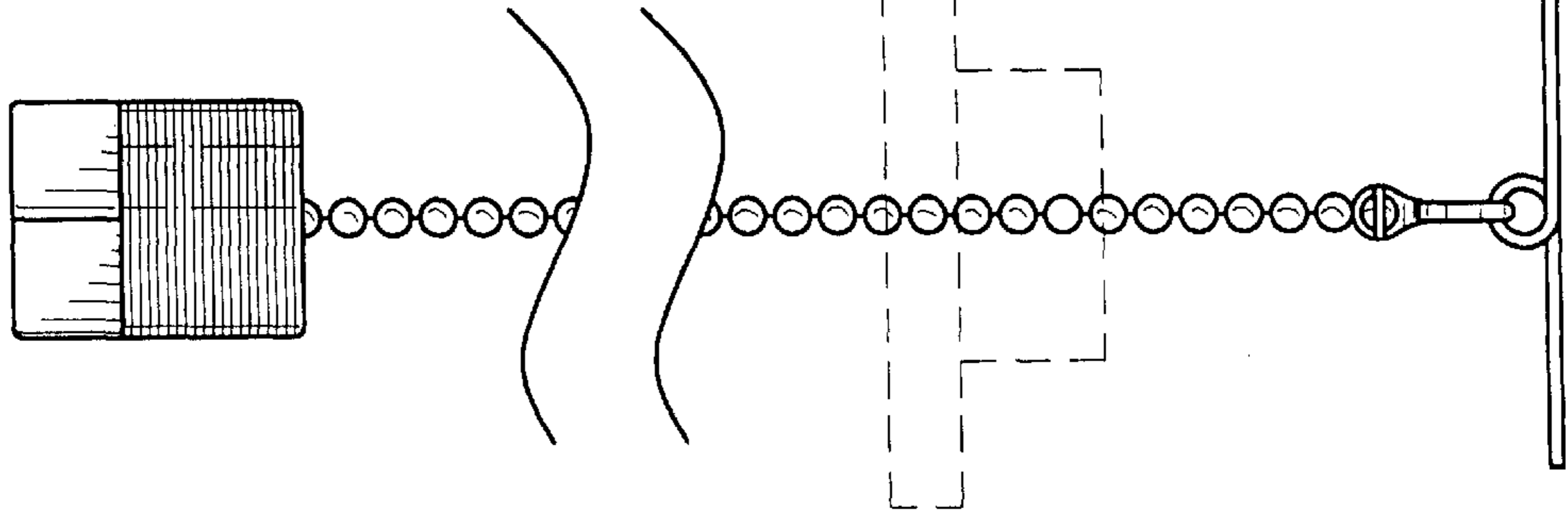


FIG. 2

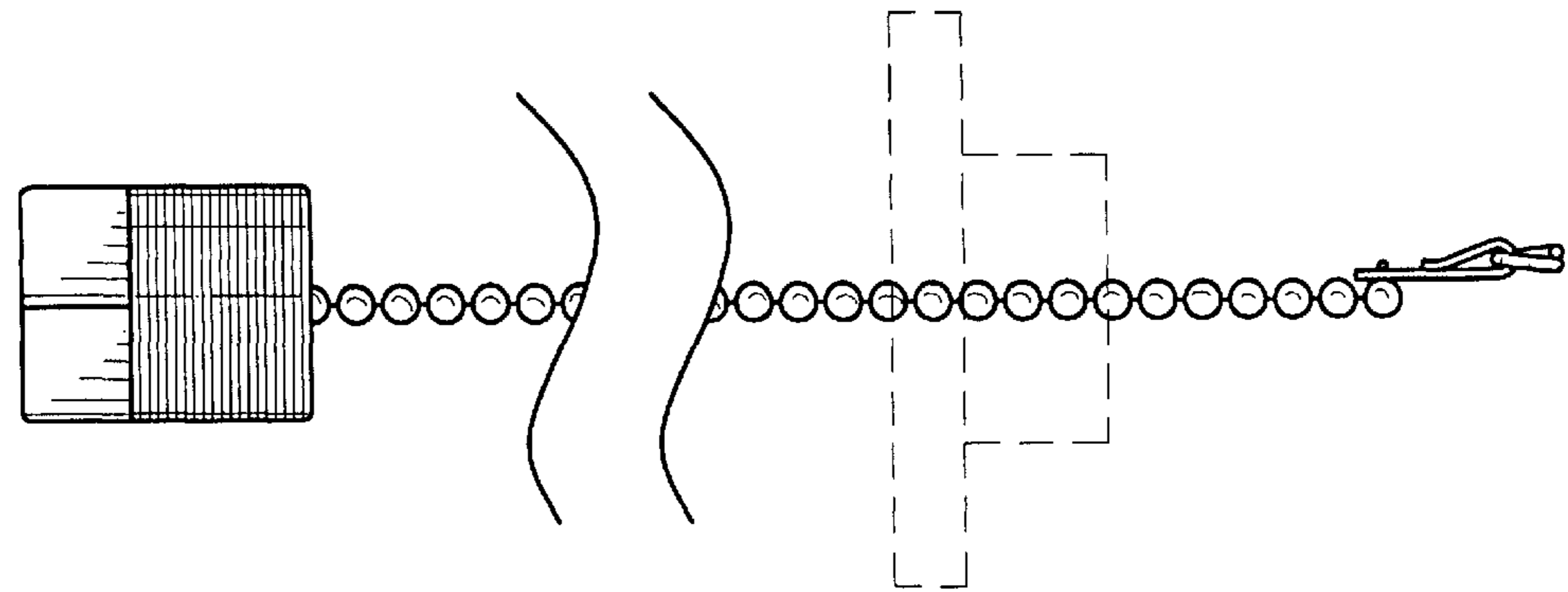


FIG. 1

