



US00D451465B1

(12) **United States Design Patent**
Donikoglu

(10) **Patent No.:** **US D451,465 S**

(45) **Date of Patent:** **** Dec. 4, 2001**

(54) **WHEEL**

(75) **Inventor:** **Melkon A. Donikoglu**, Southfield, MI
(US)

(73) **Assignee:** **Ultra Wheel Co.**, Buena Park, CA (US)

(**) **Term:** **14 Years**

(21) **Appl. No.:** **29/136,448**

(22) **Filed:** **Jan. 30, 2001**

(51) **LOC (7) Cl.** **12-16**

(52) **U.S. Cl.** **D12/210**

(58) **Field of Search** D12/204-211;
301/37.1, 64.1, 65

(56) **References Cited**

U.S. PATENT DOCUMENTS

D. 361,975	*	9/1995	Weld	D12/210
D. 403,288	*	12/1998	Cullen	D12/209
D. 409,967	*	5/1999	Chung	D12/209
D. 427,961	*	7/2000	Donikoglu	D12/210
D. 430,094	*	8/2000	Hale, Jr.	D12/210

D. 435,006	*	12/2000	Brown	D12/209
D. 436,909	*	1/2001	Lotson	D12/209
D. 436,910	*	1/2001	Hale, Jr.	D12/210
D. 438,156	*	2/2001	Stehrenberger	D12/209
D. 442,535	*	5/2001	Lotson	D12/209

* cited by examiner

Primary Examiner—Stacia Cadmus

(74) *Attorney, Agent, or Firm*—Christie, Parker & Hale, LLP

(57) **CLAIM**

The ornamental design for a wheel, as shown and described.

DESCRIPTION

FIG. 1 is a perspective view of a wheel showing my new design;

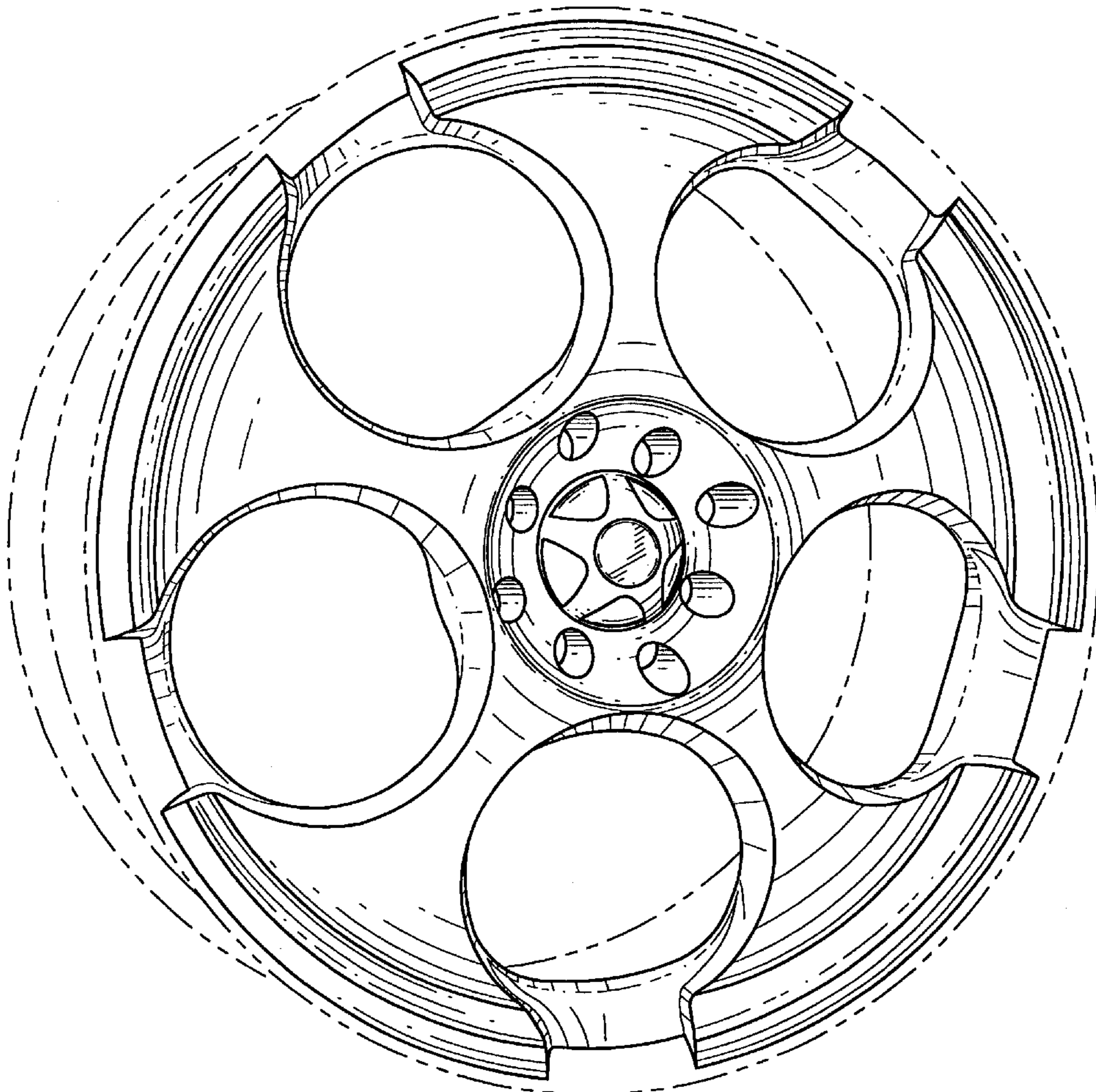
FIG. 2 is a front elevational view thereof; and,

FIG. 3 is a cross-sectional view thereof taken along the line 3—3 in FIG. 2.

The broken line disclosure in FIGS. 1-3 is for illustrative purposes only and forms no part of the claimed design.

The rear of the wheel forms no part of the claimed design.

1 Claim, 2 Drawing Sheets



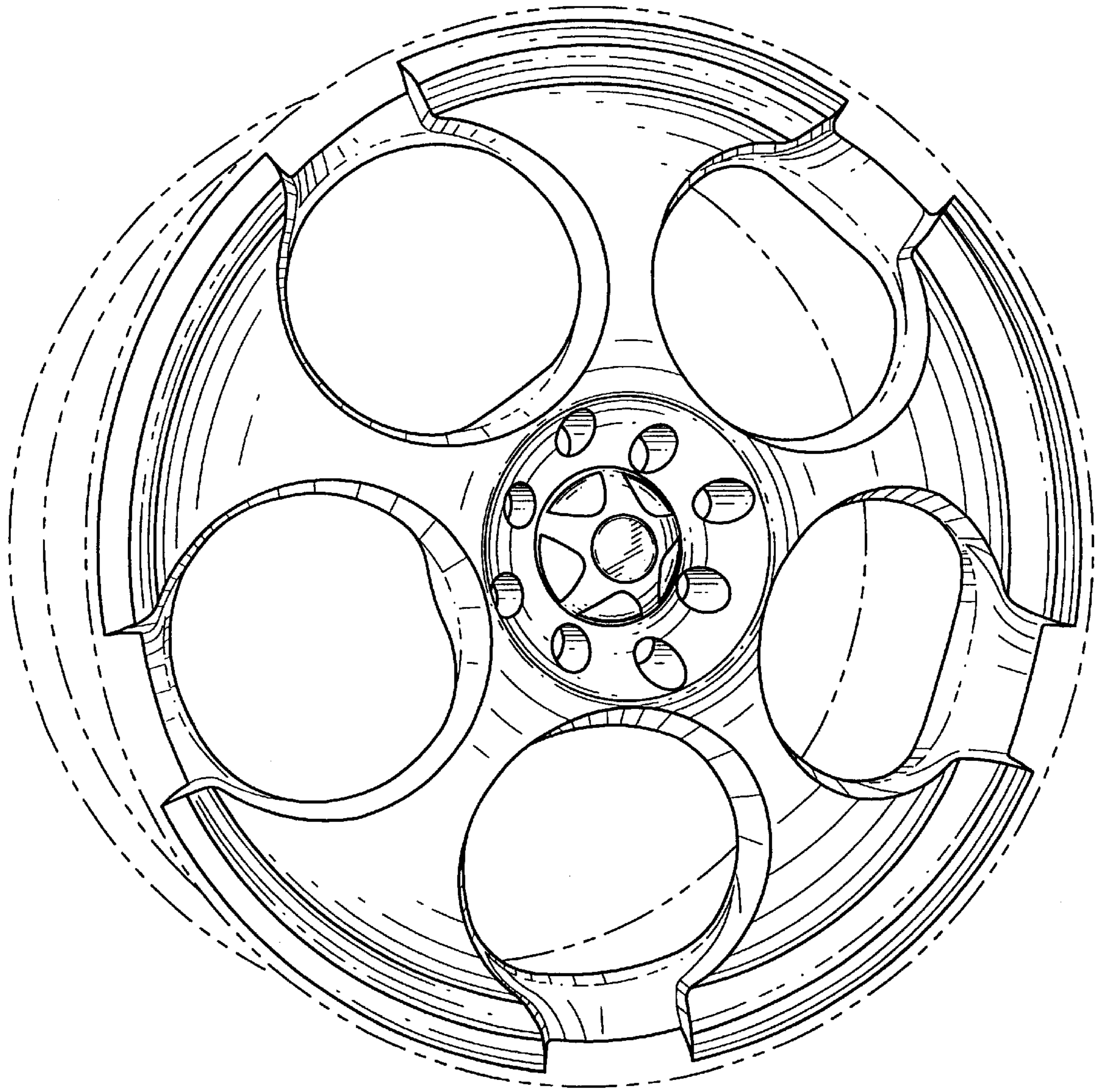


FIG. 1

