



US00D451463B1

(12) **United States Design Patent**  
**Murkett et al.**

(10) **Patent No.:** **US D451,463 S**

(45) **Date of Patent:** **\*\* Dec. 4, 2001**

(54) **FRONT FACE OF A VEHICLE WHEEL**

(75) Inventors: **Stephen Murkett**, Gerlingen; **Michael Gallert**, Stuttgart, both of (DE)

(73) Assignee: **Dr. Ing. h.c.F. Porsche Aktiengesellschaft**, Stuttgart (DE)

(\*\*) Term: **14 Years**

(21) Appl. No.: **29/137,490**

(22) Filed: **Feb. 23, 2001**

(30) **Foreign Application Priority Data**

Aug. 24, 2000 (DE) ..... 400 08 024

(51) **LOC (7) Cl.** ..... **12-16**

(52) **U.S. Cl.** ..... **D12/209**

(58) **Field of Search** ..... D12/204-211;  
301/37.1, 64.1, 65

(56) **References Cited**

**U.S. PATENT DOCUMENTS**

- D. 375,076 \* 10/1996 Cattaneo ..... D12/211
- D. 392,236 \* 3/1998 Noriega ..... D12/209
- D. 392,611 \* 3/1998 Echazabal et al. .... D12/211

- D. 407,056 \* 3/1999 Hodges et al. .... D12/211
- D. 409,552 \* 5/1999 Chung ..... D12/211
- D. 412,692 \* 8/1999 Hussaini ..... D12/209
- D. 416,532 \* 11/1999 Cullen ..... D12/209
- D. 419,945 \* 2/2000 Hartanto ..... D12/211
- D. 421,417 \* 3/2000 Weidhase ..... D12/209
- D. 427,130 \* 6/2000 Johnson ..... D12/211
- D. 432,974 \* 10/2000 Jablonski ..... D12/211
- D. 438,501 \* 3/2001 Noriega ..... D12/209

\* cited by examiner

*Primary Examiner*—Stacia Cadmus

(74) *Attorney, Agent, or Firm*—Crowell & Moring LLP

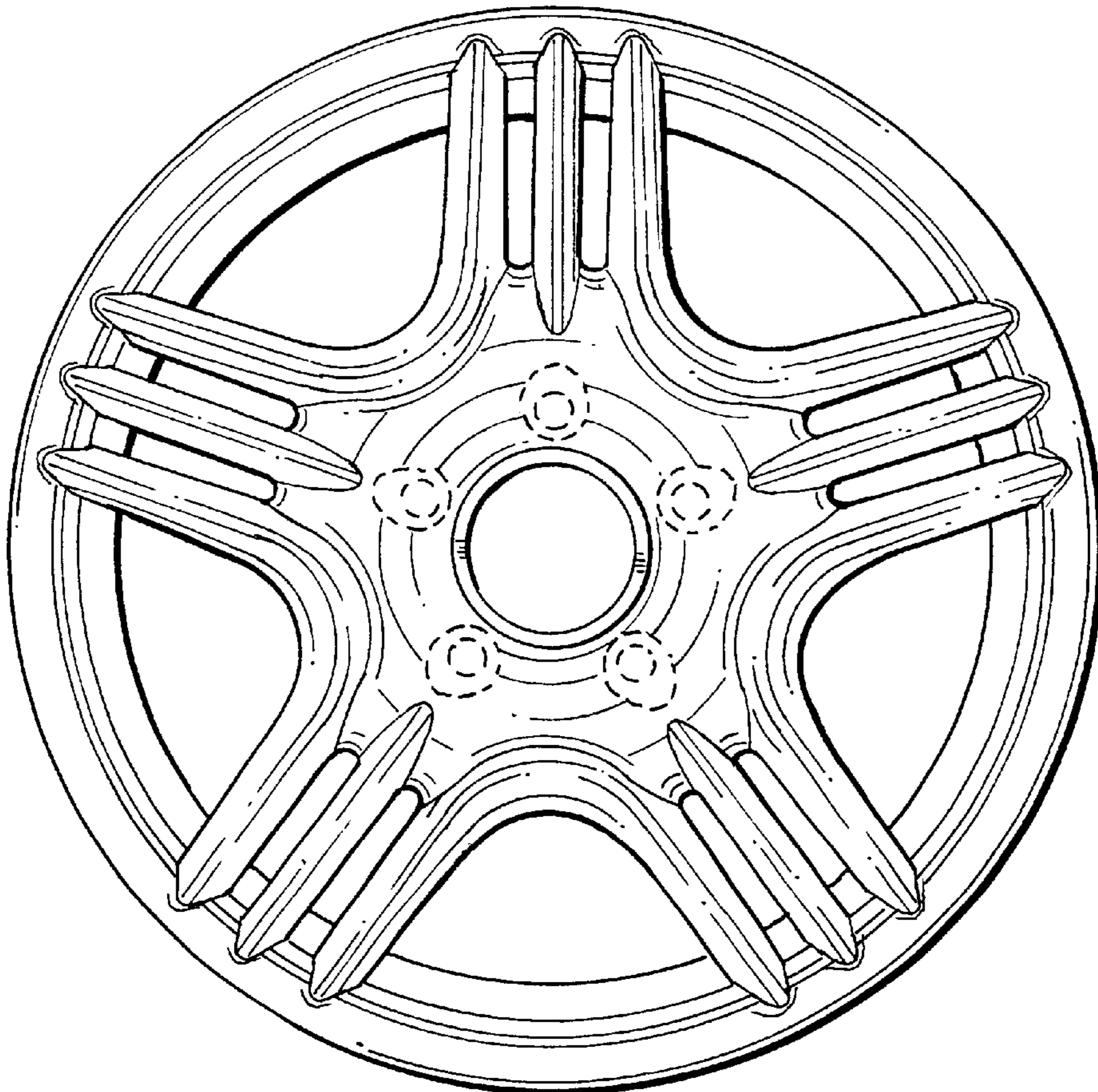
(57) **CLAIM**

The ornamental design for a front face of a vehicle wheel, as shown and described.

**DESCRIPTION**

FIG. 1 is a front view of a front face of a vehicle wheel according to our novel design; and, FIG. 2 is a perspective view of the front face of a vehicle wheel according to our novel design. The dash lines included depict environment and are not part of the claimed design.

**1 Claim, 1 Drawing Sheet**



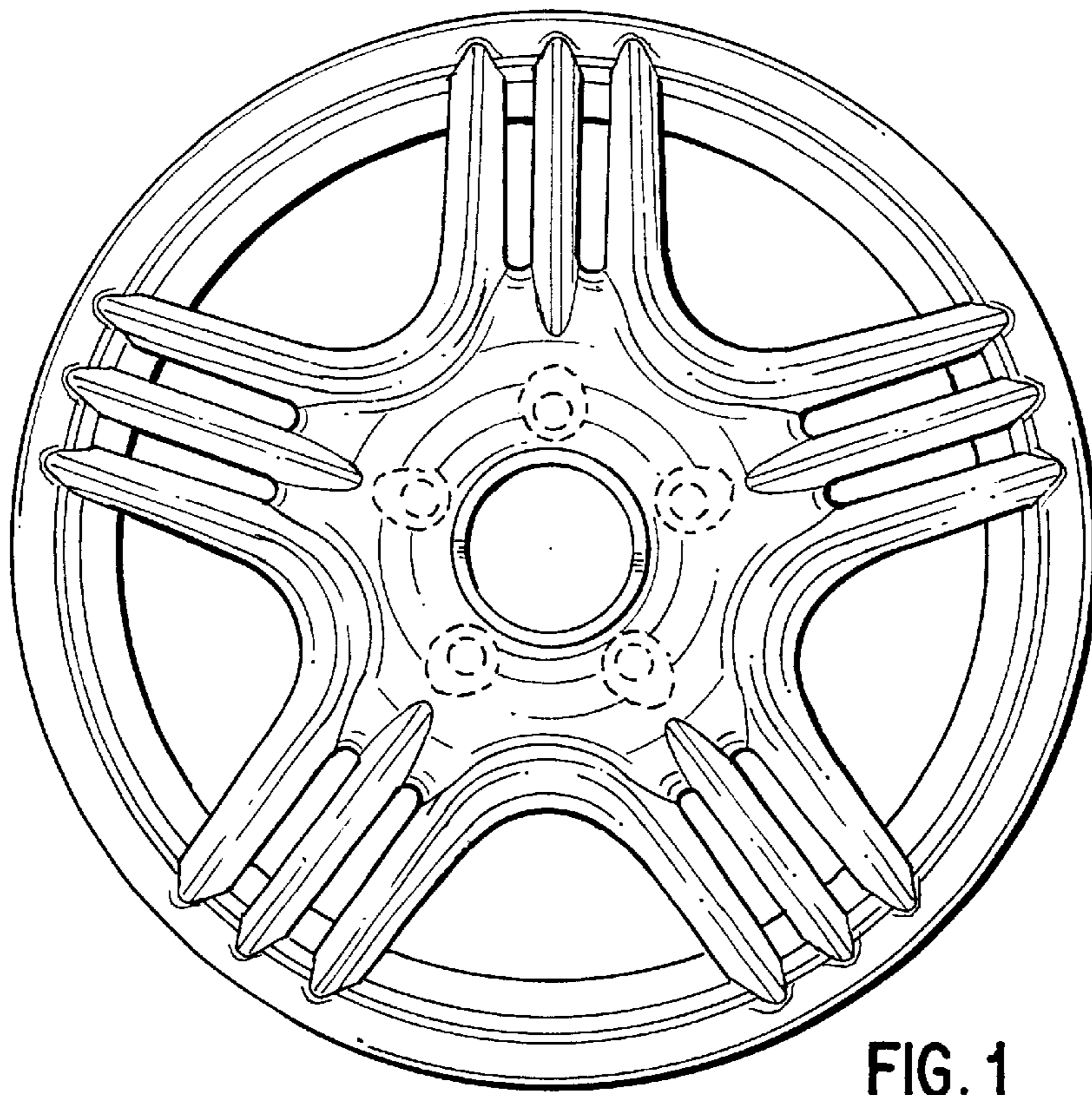


FIG. 1

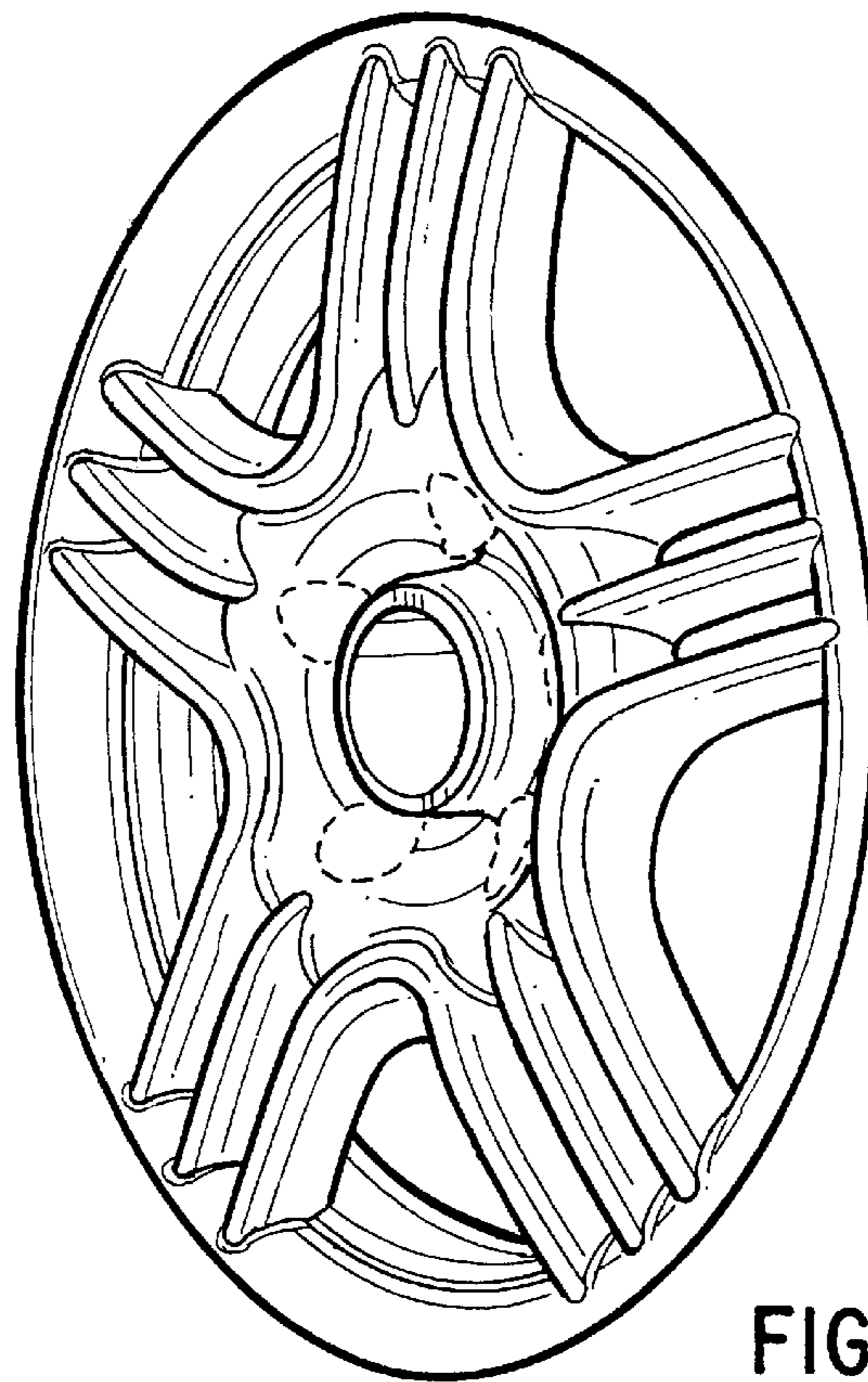


FIG. 2