



US00D451462B1

(12) **United States Design Patent**
Donikoglu

(10) **Patent No.:** **US D451,462 S**

(45) **Date of Patent:** **** Dec. 4, 2001**

(54) **WHEEL**

(75) **Inventor:** **Melkon A. Donikoglu**, Southfield, MI (US)

(73) **Assignee:** **Ultra Wheel Co.**, Buena Park, CA (US)

(**) **Term:** **14 Years**

(21) **Appl. No.:** **29/136,468**

(22) **Filed:** **Jan. 30, 2001**

(51) **LOC (7) Cl.** **12-16**

(52) **U.S. Cl.** **D12/209**

(58) **Field of Search** D12/204-211;
301/37.1, 64.1, 65

D. 416,531	*	11/1999	Gabath	D12/209
D. 416,847	*	11/1999	Couzyn et al.	D12/209
D. 423,444	*	4/2000	Hussaini et al.	D12/209
D. 430,095	*	8/2000	Lotson	D12/211
D. 438,161	*	2/2001	Ong	D12/209
D. 438,502	*	3/2001	Noriega	D12/209

* cited by examiner

Primary Examiner—Stacia Cadmus

(74) *Attorney, Agent, or Firm*—Christie, Parker & Hale, LLP

(57) **CLAIM**

The ornamental design for a wheel, as shown and described.

DESCRIPTION

FIG. 1 is a perspective view of a wheel showing my new design;

FIG. 2 is a front elevational view thereof; and,

FIG. 3 is a cross-sectional view thereof taken along the line 3—3 in FIG. 2.

The broken line disclosure in FIGS. 1-3 is for illustrative purposes only and forms no part of the claimed design.

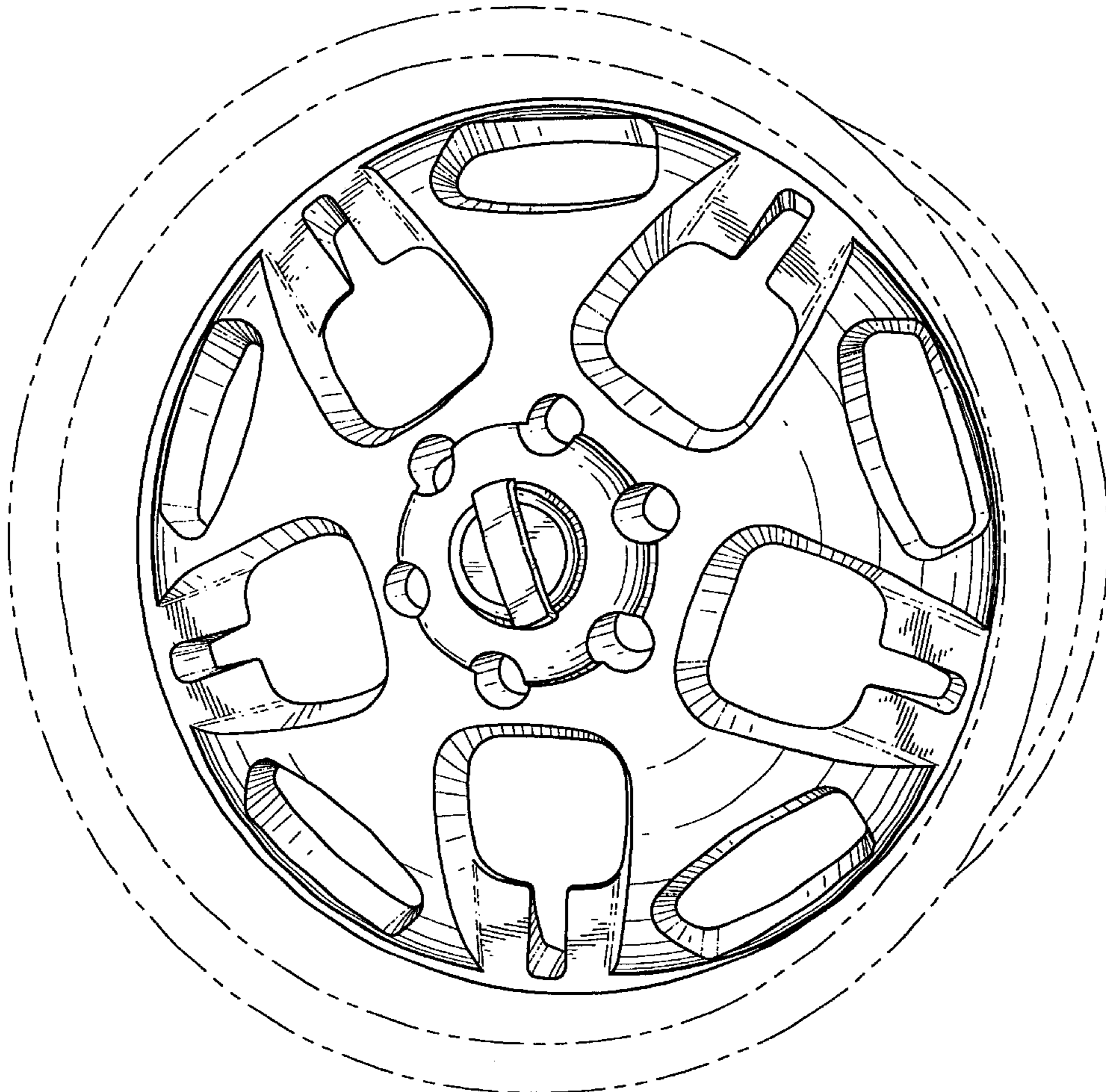
The rear of the wheel forms no part of the claimed design.

(56) **References Cited**

U.S. PATENT DOCUMENTS

D. 273,781	*	5/1984	Chapman	D12/211
D. 302,004	*	7/1989	Chapman et al.	D12/211
D. 325,018	*	3/1992	Nordmann	D12/209
D. 389,113	*	1/1998	Chung	D12/209
D. 396,681	*	8/1998	Boyer	D12/209
D. 399,813	*	10/1998	Harth et al.	D12/211

1 Claim, 2 Drawing Sheets



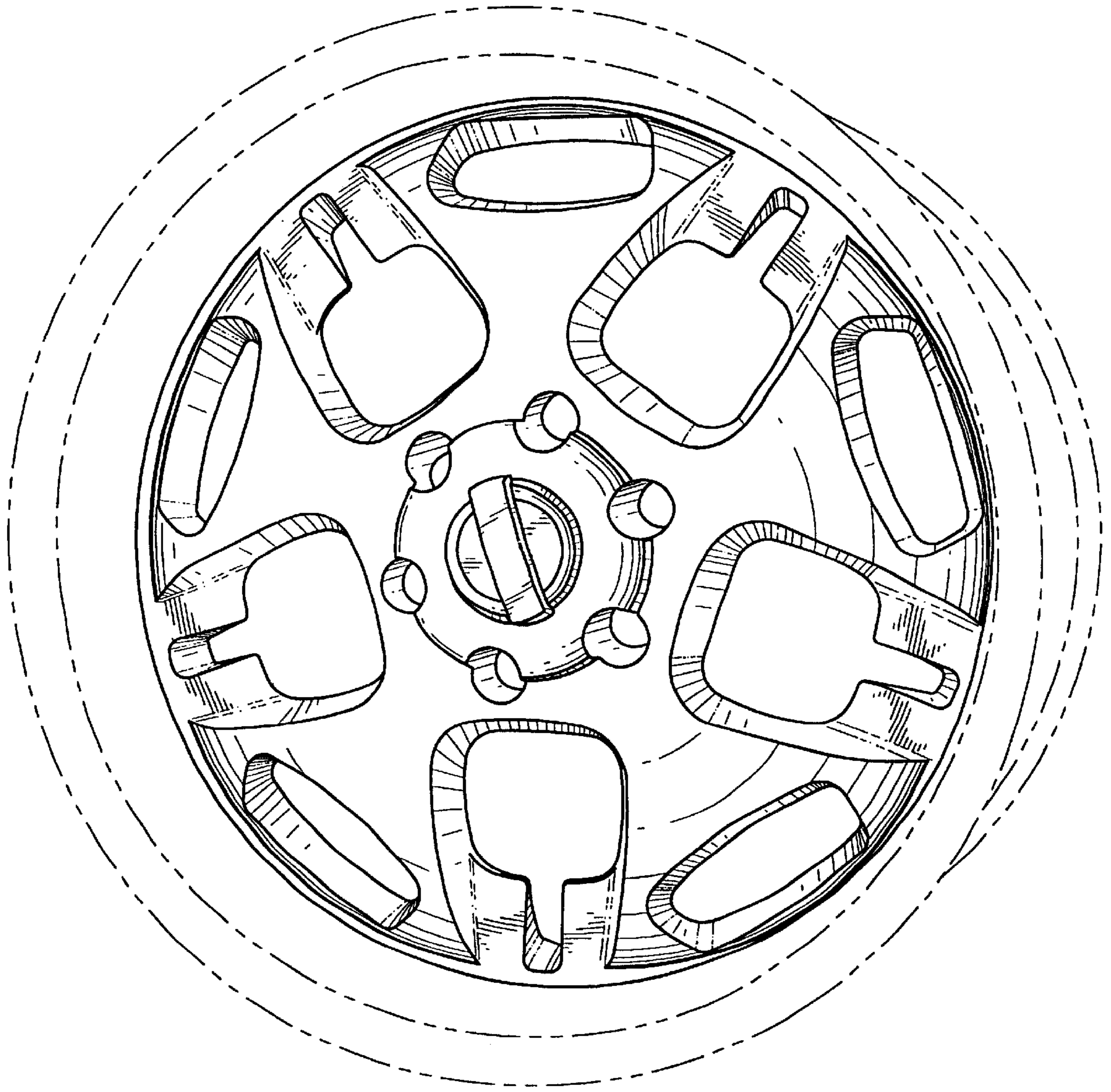


FIG. 1

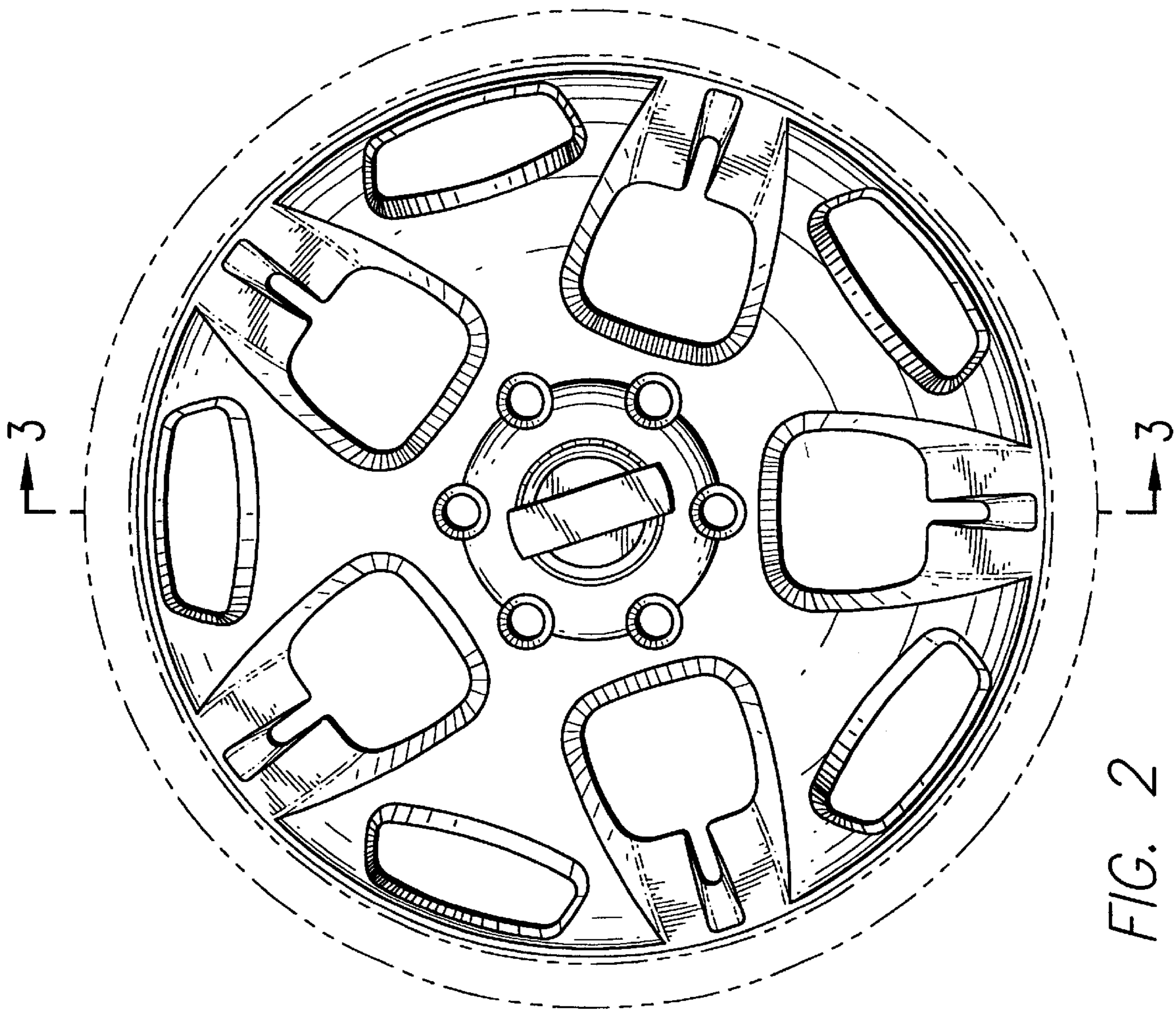


FIG. 2

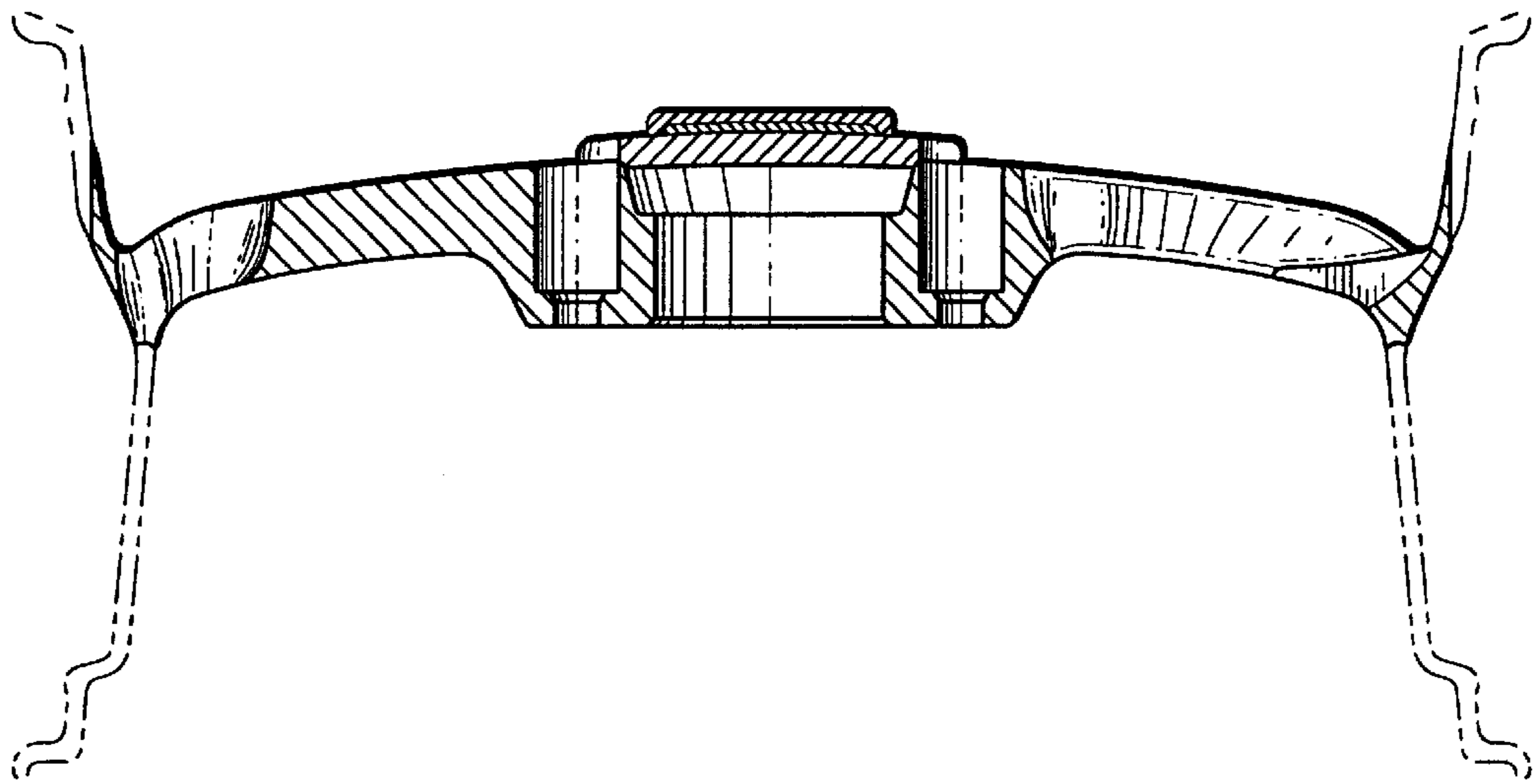


FIG. 3