



US00D451456B2

(12) **United States Design Patent**
Santo

(10) **Patent No.:** **US D451,456 S**

(45) **Date of Patent:** **** Dec. 4, 2001**

(54) **INTERNAL REARVIEW MIRROR**

3,427,094 *	2/1969	Scheitlin et al.	359/606
4,646,210 *	2/1987	Skogler et al.	359/872 X
4,826,289 *	5/1989	Vandenbrink et al.	359/605
5,521,760 *	5/1996	De Young et al.	359/606

(75) Inventor: **Antonio Ferreira Do Espirito Santo,**
Sao Paulo (BR)

(73) Assignee: **Metagal Industria e Comercio Ltda.,**
Sao Paulo (BR)

* cited by examiner

(**) Term: **14 Years**

Primary Examiner—Ralf Seifert

(74) *Attorney, Agent, or Firm*—Michael J. Striker

(21) Appl. No.: **29/139,439**

(22) Filed: **May 21, 1996**

(57) **CLAIM**

The ornamental design for an internal rearview mirror, as shown and described.

Related U.S. Application Data

(63) Continuation of application No. 08/217,675, filed on Mar. 25, 1994.

DESCRIPTION

(30) **Foreign Application Priority Data**

Aug. 20, 1993 (BR) 5300992

FIG. 1 is a front elevation view of an internal rearview mirror showing my new design;

FIG. 2 is a top plan view thereof;

(51) **LOC (7) Cl.** **12-16**

(52) **U.S. Cl.** **D12/187**

FIG. 3 is a side plan view thereof which is a mirror image of the opposite side thereof;

(58) **Field of Search** D12/188, 187;
D26/34; 350/606, 600, 631, 632, 636; 362/144

FIG. 4 is a rear elevation view thereof; and,

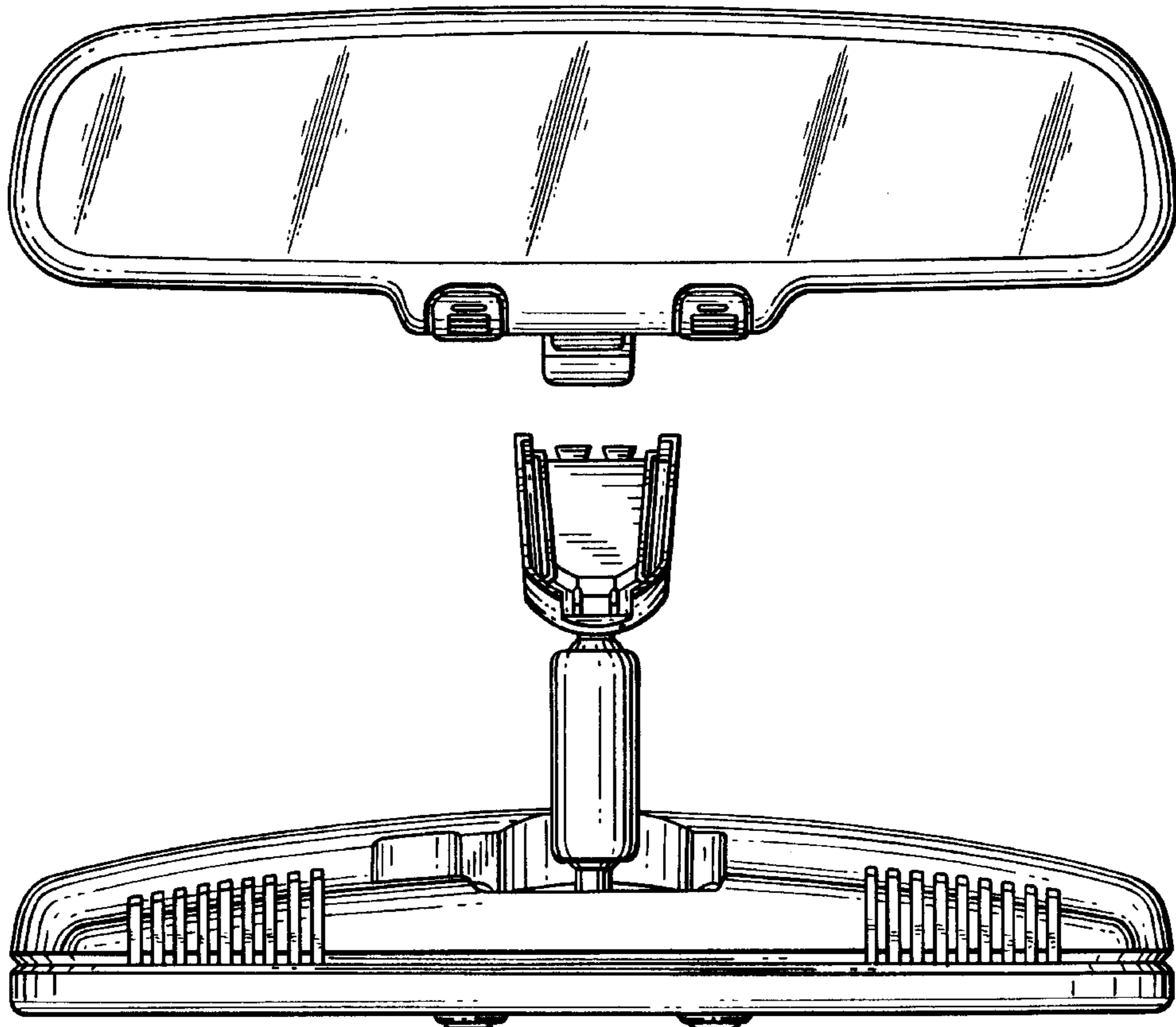
FIG. 5 is a bottom plan view thereof.

(56) **References Cited**

U.S. PATENT DOCUMENTS

2,502,699 * 4/1950 Budreck 359/605

1 Claim, 3 Drawing Sheets



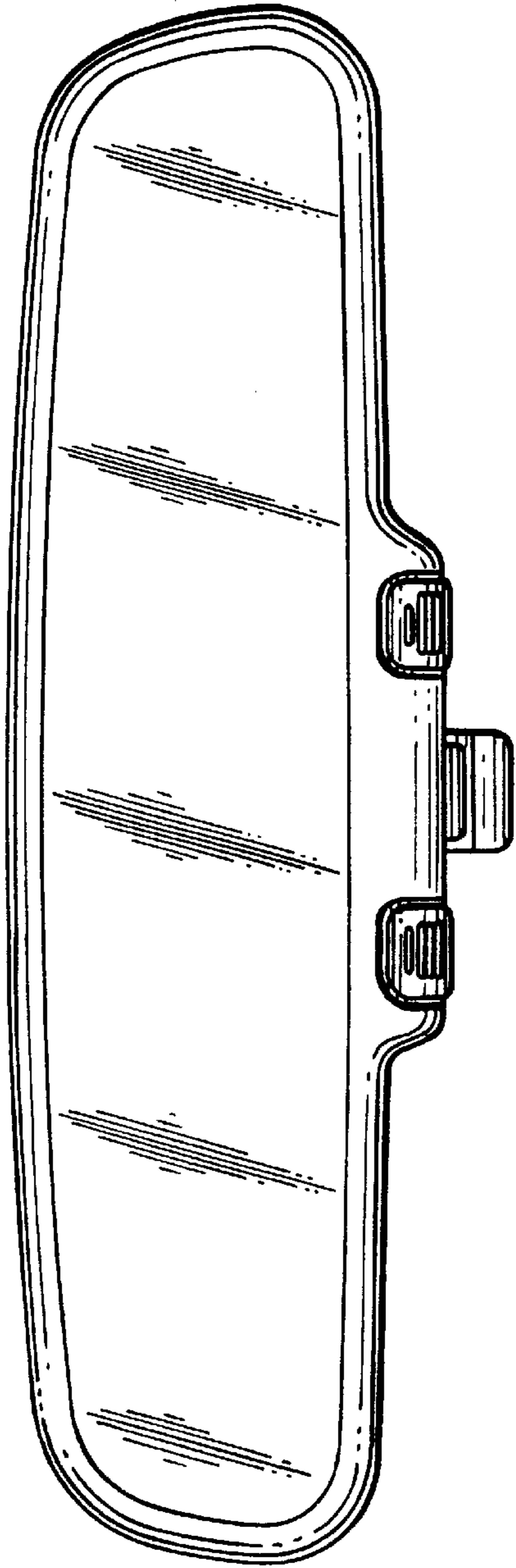


FIG. 1

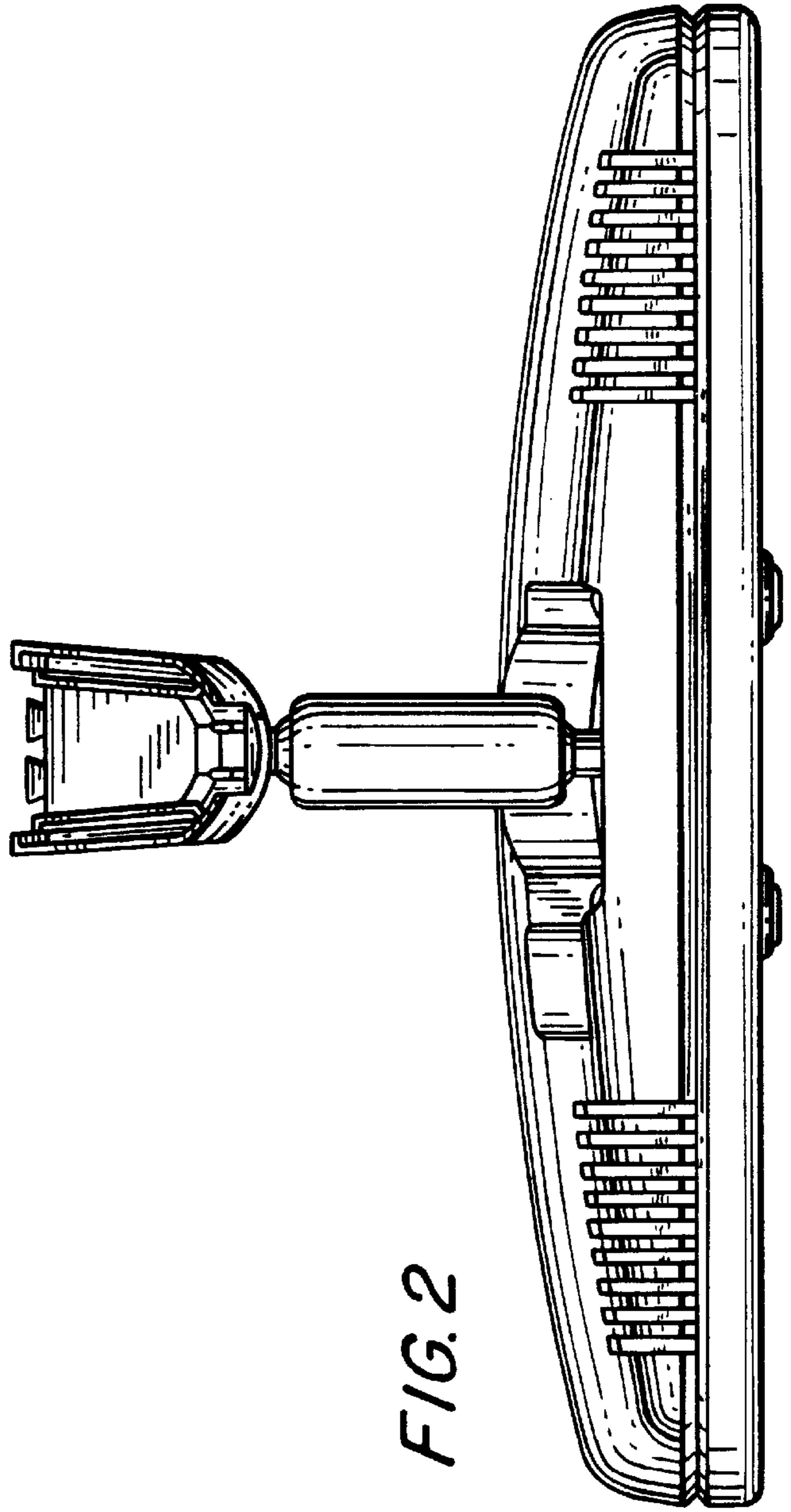


FIG. 2

FIG. 3

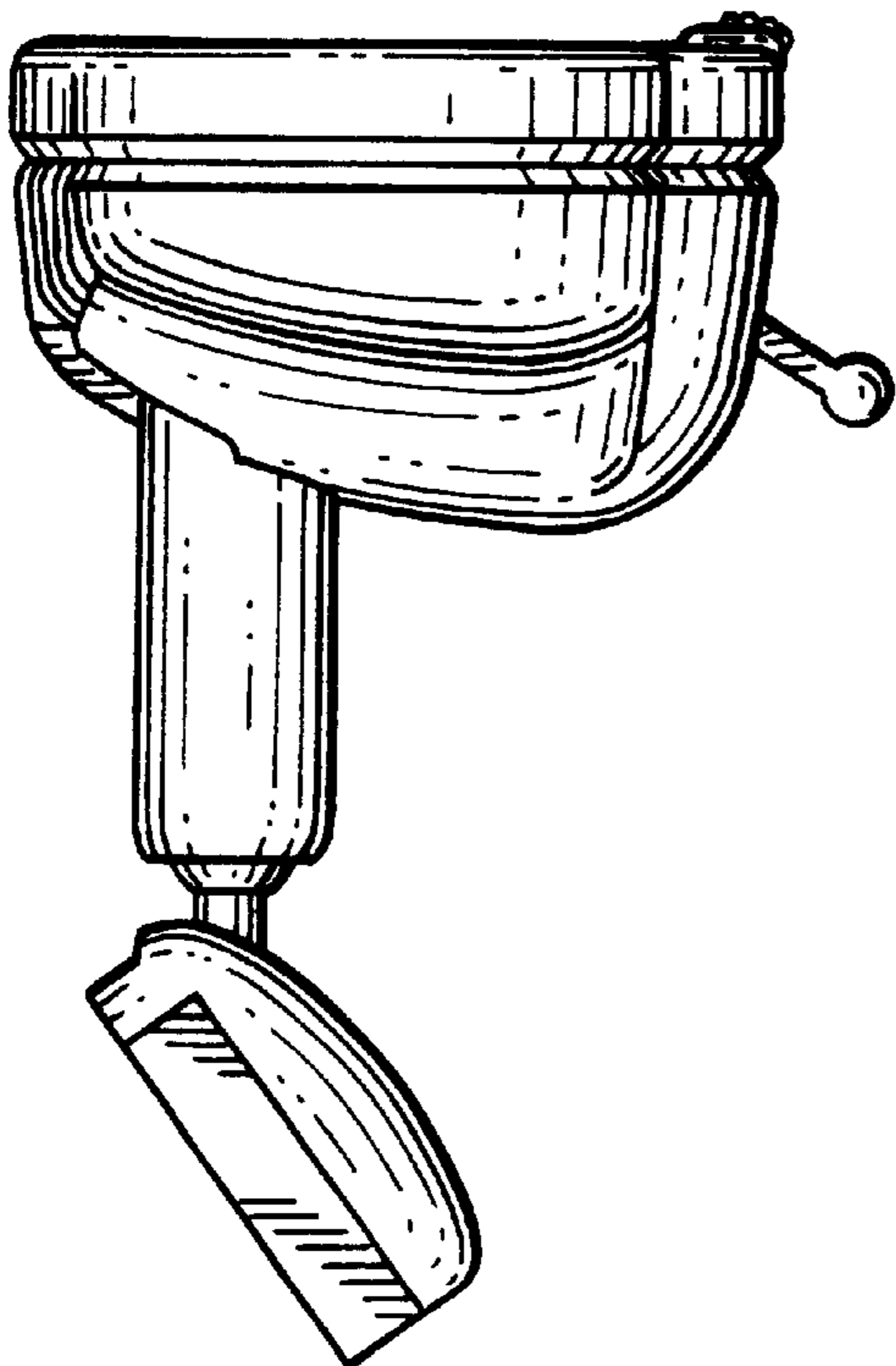
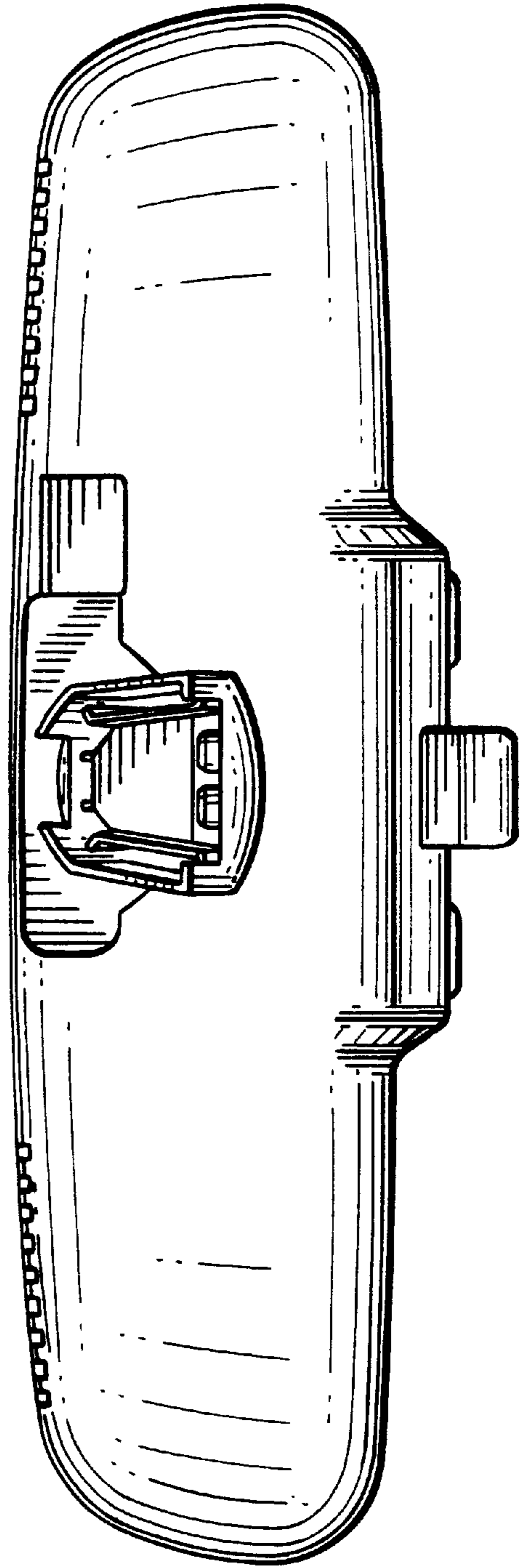


FIG. 4



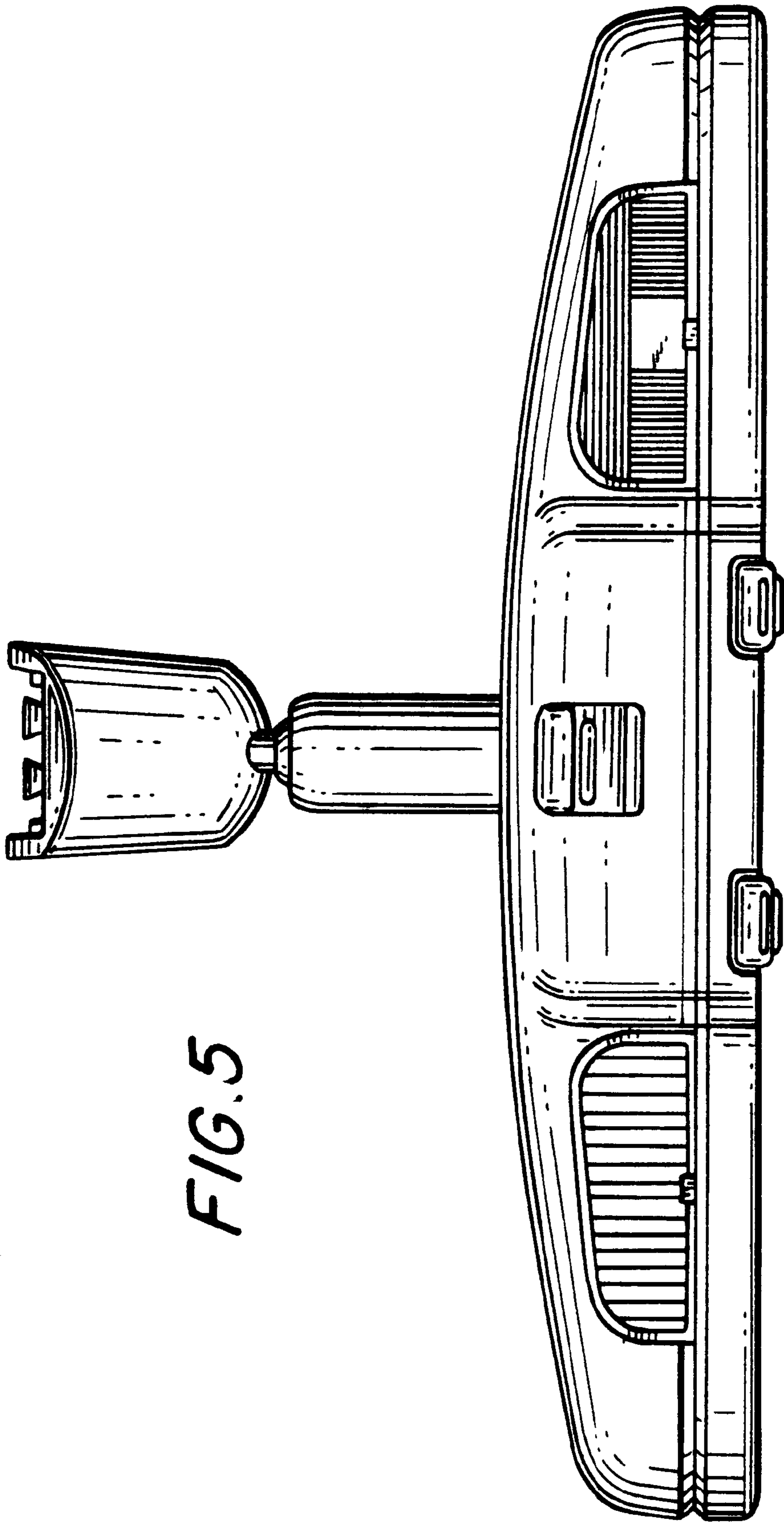


FIG. 5