



US00D451445B1

(12) **United States Design Patent**
Guspodin

(10) **Patent No.:** **US D451,445 S**

(45) **Date of Patent:** **** Dec. 4, 2001**

(54) **TIRE TREAD**

(75) Inventor: **James G. Guspodin**, Akron, OH (US)

(73) Assignee: **Bridgestone/Firestone Research, Inc.**,
Akron, OH (US)

(**) Term: **14 Years**

(21) Appl. No.: **29/131,712**

(22) Filed: **Oct. 26, 2000**

(51) **LOC (7) Cl.** **12-15**

(52) **U.S. Cl.** **D12/147**

(58) **Field of Search** D12/134-152;
152/209.1, 209.9, 209.16, 209.25, 209.27,
902, 903

(56) **References Cited**

U.S. PATENT DOCUMENTS

D. 350,092	8/1994	Brayer et al. .	
D. 350,095	8/1994	Anderson et al. .	
D. 360,859 *	8/1995	Attinello et al.	D12/147
D. 367,453	2/1996	Consolacion .	
D. 369,768	5/1996	Wakamatsu et al. .	
D. 377,330	1/1997	Kakegawa et al. .	
D. 379,340	5/1997	Consolacion et al. .	
D. 382,521	8/1997	Consolacion et al. .	
D. 388,373	12/1997	Breny et al. .	
D. 392,922 *	3/1998	Heinen	D12/147
D. 398,568 *	9/1998	Graas et al.	D12/147
D. 403,627	1/1999	Graas .	
D. 415,982	11/1999	Consolacion et al. .	
D. 416,217	11/1999	Guspodin et al. .	
D. 432,467	10/2000	Guspodin et al. .	
D. 433,355	11/2000	Markoff et al. .	

OTHER PUBLICATIONS

Sears Bridgestone Roadhandler Tire, 1999 Tread Design Guide, Jan. 1999, p. 62. 4/2.*

Goodyear Eagle LS Tire, Goodyear Performance Tire Brochure #0064000-1/98.*

Goodyear Eagle #1 Tire, Modern Tire Dealer Magazine, Sep. 1999, p. 50.*

Goodyear Eagle #1 Tire, Modern Tire Dealer Magazine, Mar. 2000. p. 29.*

* cited by examiner

Primary Examiner—Robert M. Spear

(74) *Attorney, Agent, or Firm*—Thomas R. Kingsbury;
Michael Sand

(57) **CLAIM**

The ornamental design for a tire tread, as shown and described.

DESCRIPTION

FIG. 1 is a side perspective view of a tire tread showing my new design, it being understood that the tread pattern is repeated throughout the circumference of the tire tread, the opposite side being the same as that shown;

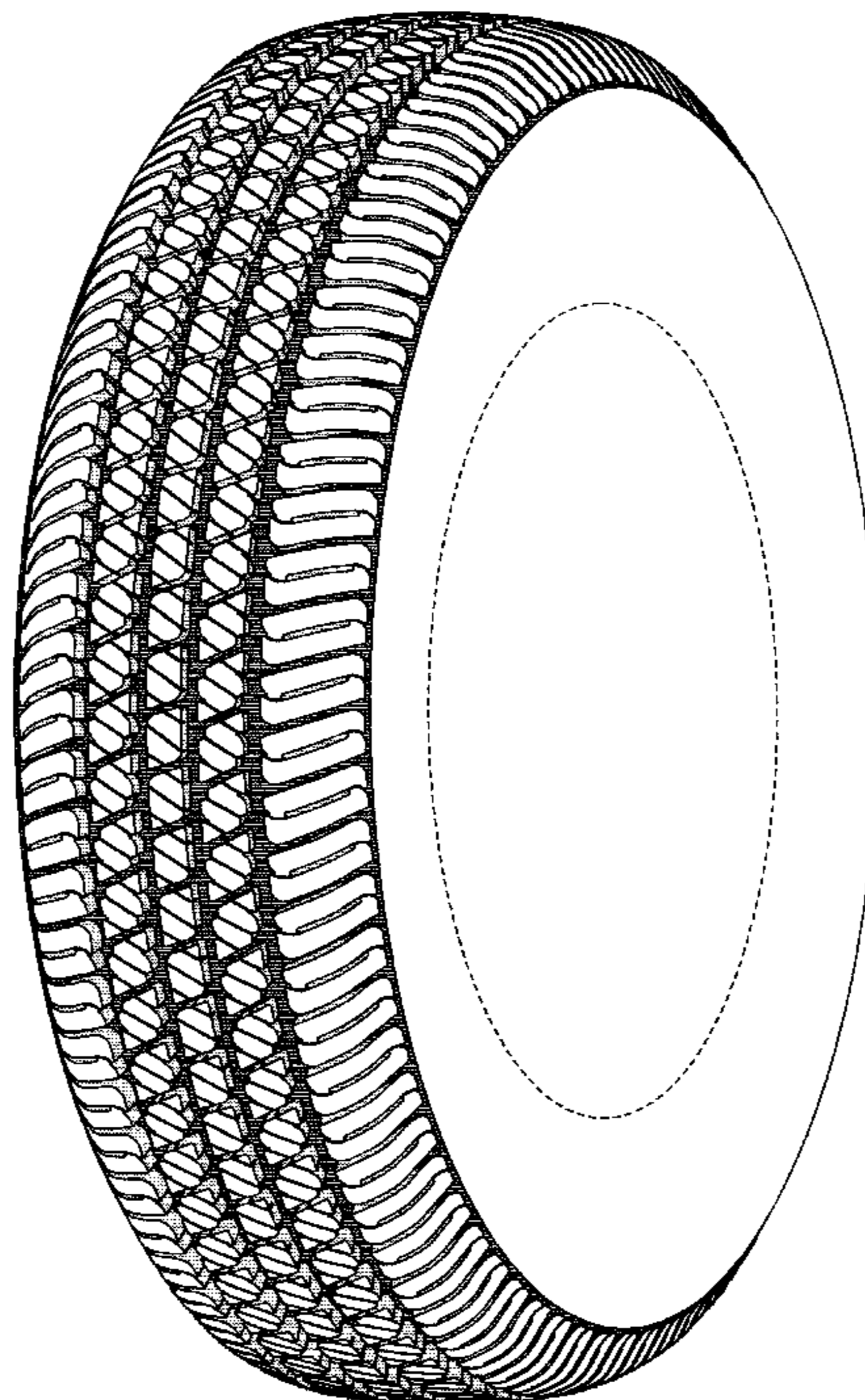
FIG. 2 is a front elevational view thereof;

FIG. 3 is a side elevational view of the right side thereof, the opposite side being identical thereto; and,

FIG. 4 is an enlarged fragmentary front elevational view thereof.

The broken lines defining the tire sidewall and inner bead are for illustrative purposes only and form no part of the claimed design.

1 Claim, 4 Drawing Sheets



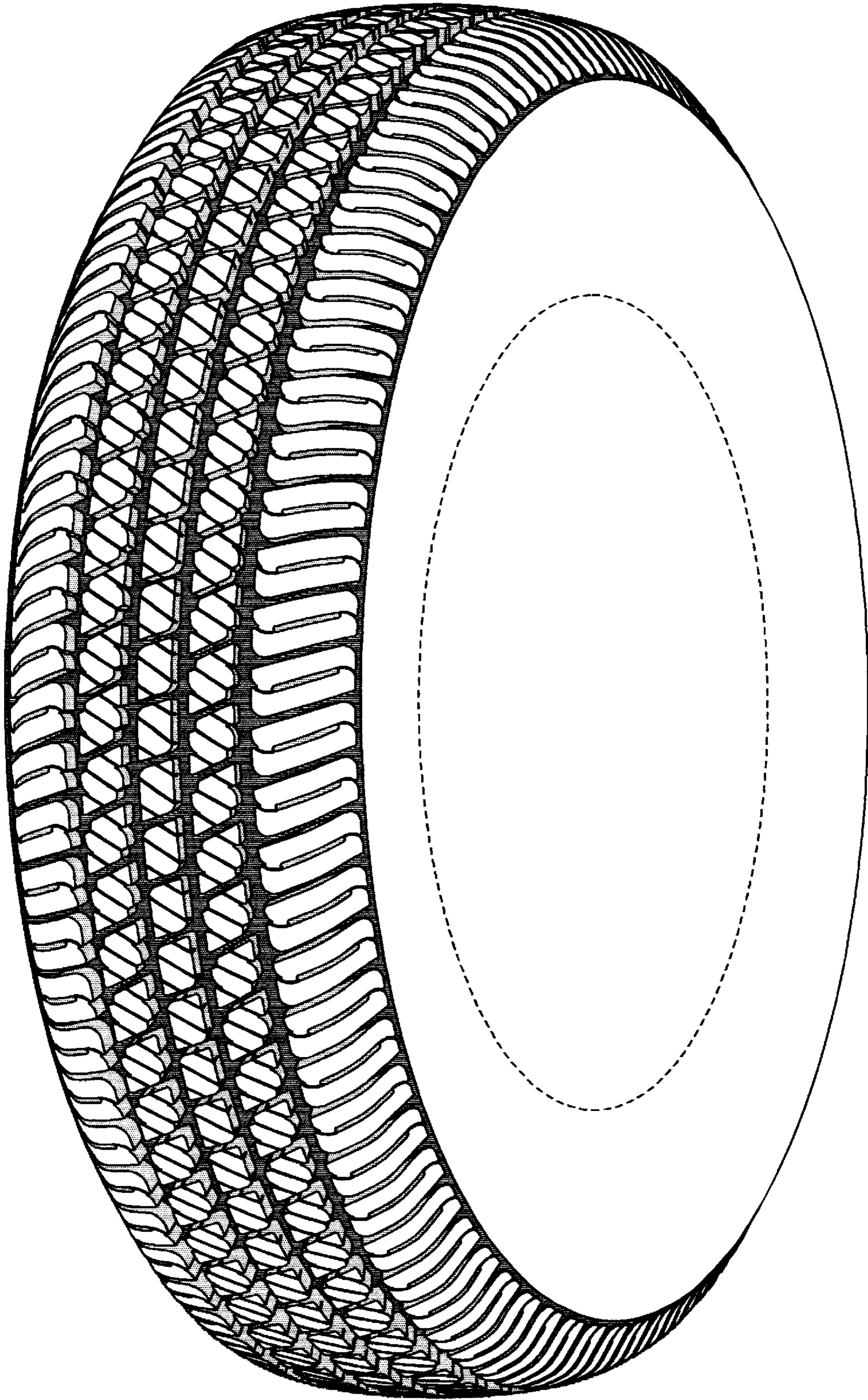


FIG-1

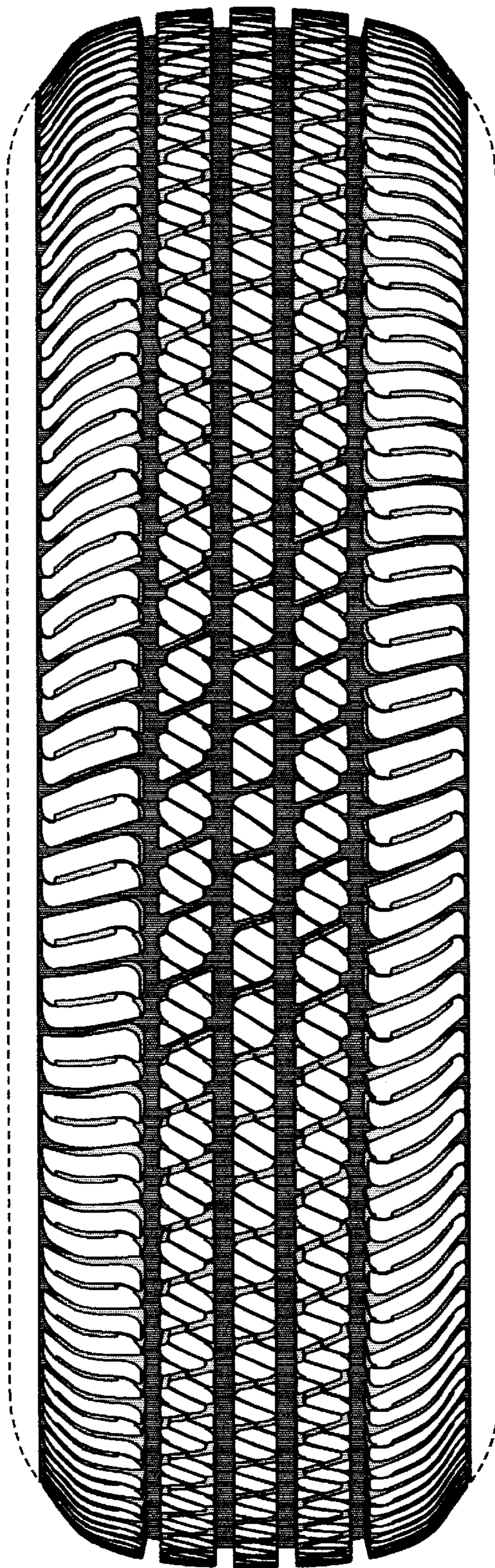


FIG-2

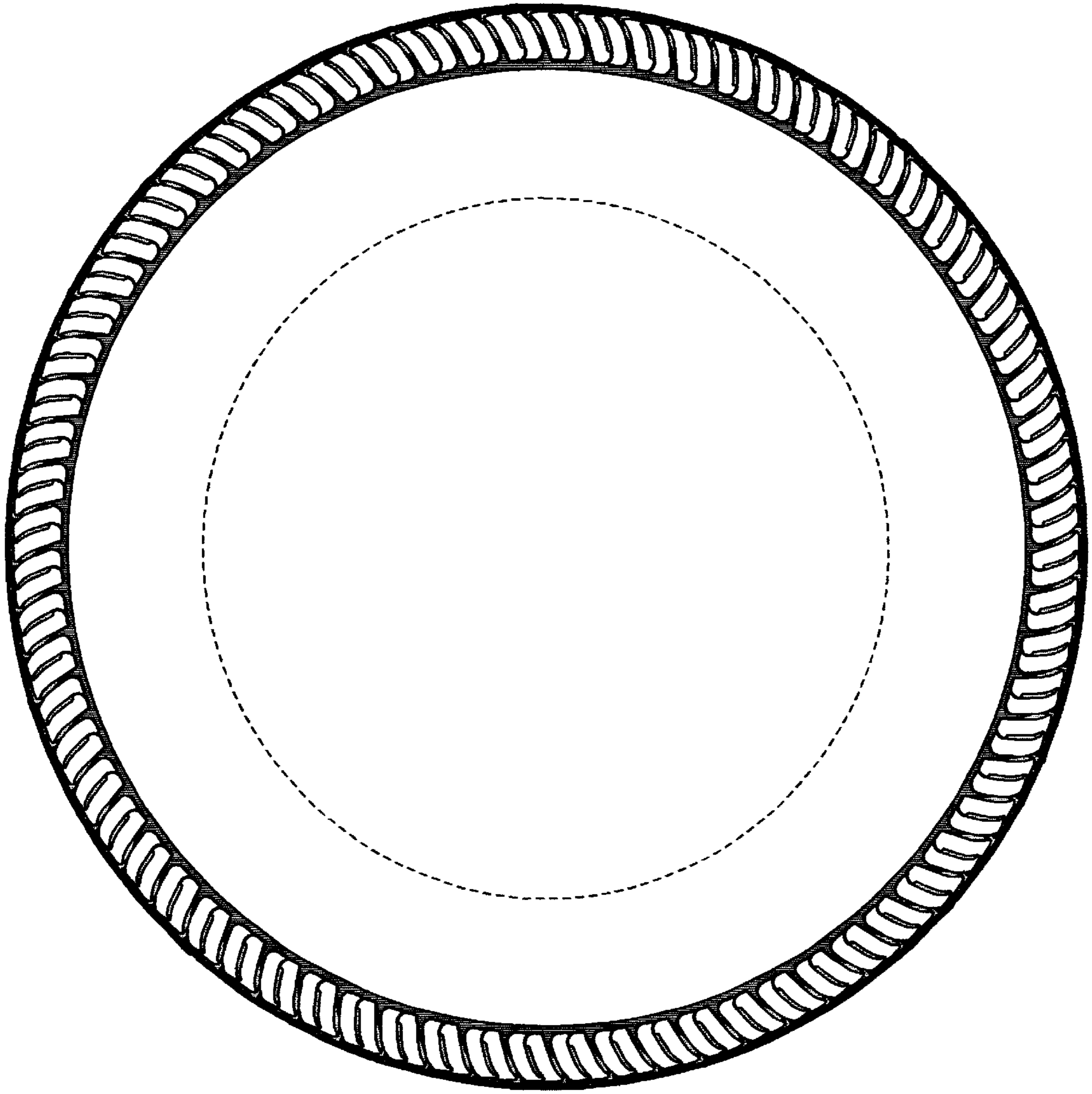


FIG-3

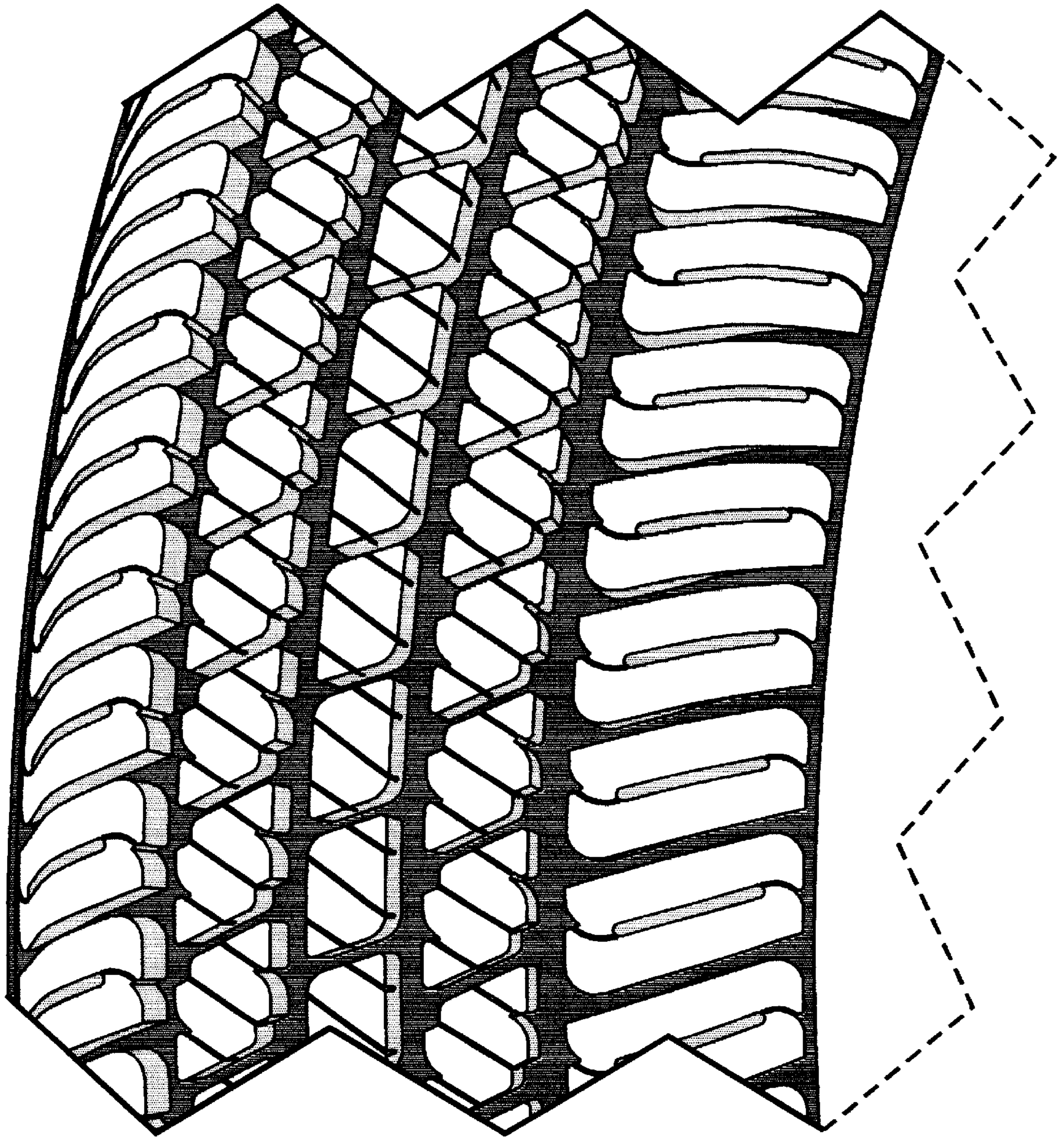


FIG-4