



US00D451444B1

(12) **United States Design Patent**  
**Heinen et al.**

(10) **Patent No.:** **US D451,444 S**

(45) **Date of Patent:** **\*\* Dec. 4, 2001**

(54) **TIRE TREAD**

(75) Inventors: **Richard Heinen**, Habay-la-Neuve;  
**Kenneth Jenner Powell**, Vaux-sur-Sure,  
both of (BE); **Pierre Harpes**,  
Luxembourg (LU); **Bernard Marie**  
**Henin**, Virton (BE)

(73) Assignee: **The Goodyear Tire & Rubber**  
**Company**, Akron, OH (US)

(\*\*) Term: **14 Years**

(21) Appl. No.: **29/130,764**

(22) Filed: **Oct. 9, 2000**

(51) **LOC (7) Cl.** ..... **12-15**

(52) **U.S. Cl.** ..... **D12/147**

(58) **Field of Search** ..... D12/134-152;  
152/209.1, 209.3, 209.8, 209.9, 209.11,  
455, 456, 902, 903, 904

(56) **References Cited**

**U.S. PATENT DOCUMENTS**

D. 305,016	12/1989	Hayakawa et al. ....	D12/147
D. 350,507	9/1994	Helluin .....	D12/141
D. 350,924	9/1994	Maxwell et al. ....	D12/146
D. 362,218	9/1995	McKisson .....	D12/147
D. 362,219	9/1995	McKisson .....	D12/147
D. 385,240 *	10/1997	Gauthier .....	D12/147
D. 398,567	9/1998	Brown et al. ....	D12/147
D. 399,175	10/1998	Brown et al. ....	D12/146

D. 403,628 *	1/1999	Mulhoff et al. ....	D12/147
D. 416,833	11/1999	Weber et al. ....	D12/146
D. 418,781	1/2000	Vinasse .....	D12/146
D. 419,114	1/2000	Weber et al. ....	D12/143

**OTHER PUBLICATIONS**

FIGS. 9-12 of U.S. Des. 426,501.

\* cited by examiner

*Primary Examiner*—Robert M. Spear

(74) *Attorney, Agent, or Firm*—David E. Wheeler

(57) **CLAIM**

The ornamental design for a tire tread, as shown and described.

**DESCRIPTION**

FIG. 1 is a perspective view of a tire tread showing our new design, it being understood that the pattern repeats uniformly throughout the circumference of the tread;

FIG. 2 is a perspective view of the opposite side thereof;

FIG. 3 is a front elevational view thereof;

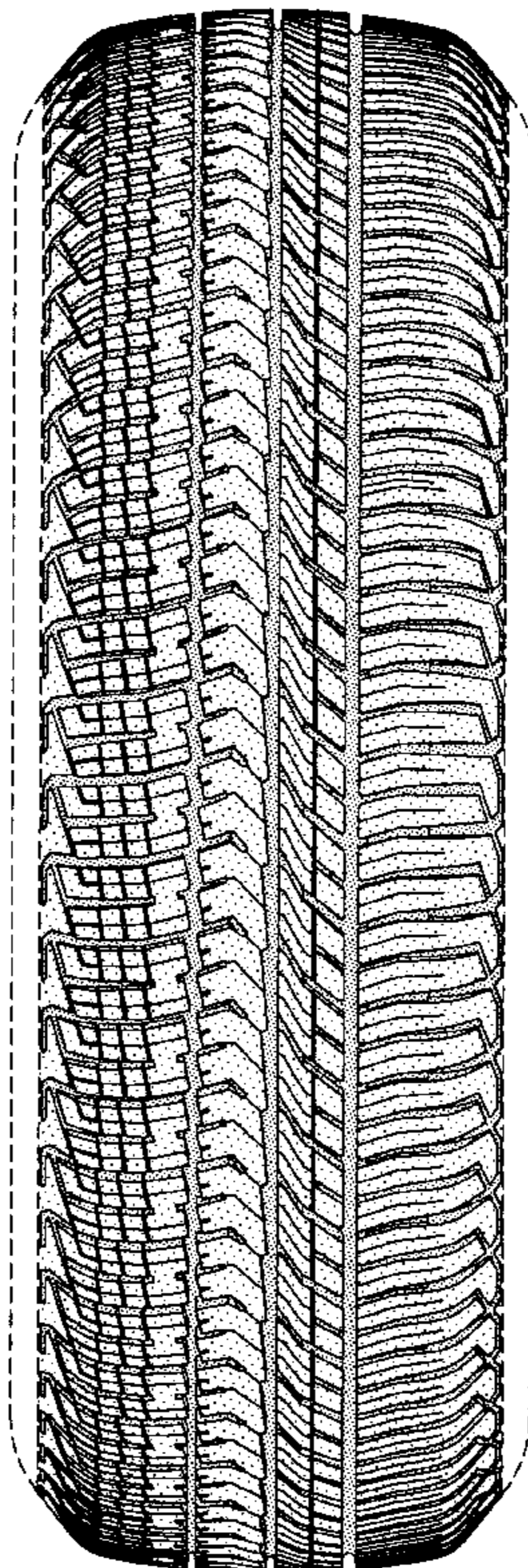
FIG. 4 is a side elevational view thereof;

FIG. 5 is the opposite side elevational view; and,

FIG. 6 is an enlarged fragmentary perspective view.

In the drawings, the broken lines defining the inner bead of the sidewall and the peripheral boundary between the tire tread and the sidewall are for illustrative purposes only and form no part of the claimed design.

**1 Claim, 6 Drawing Sheets**



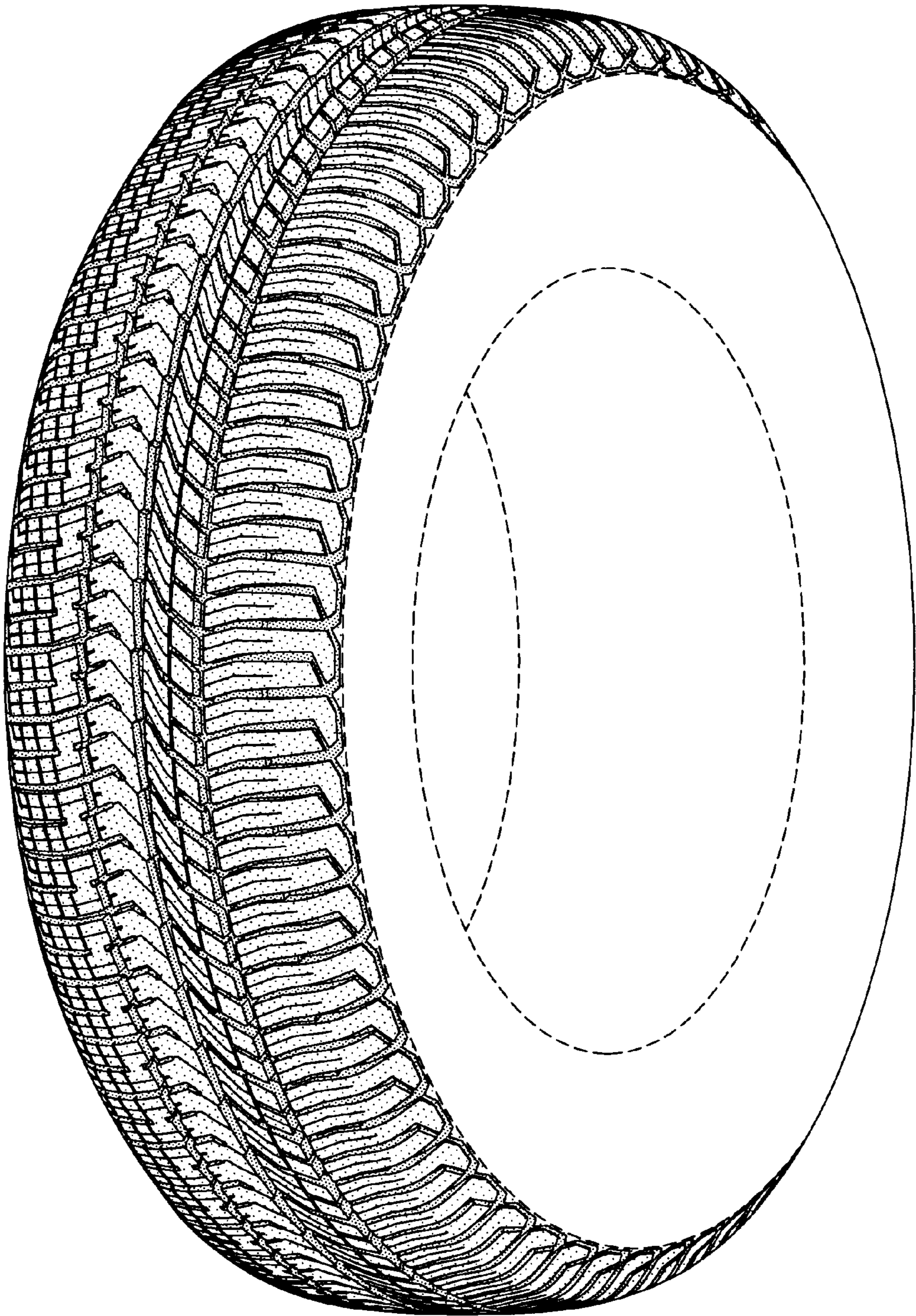


FIG-1

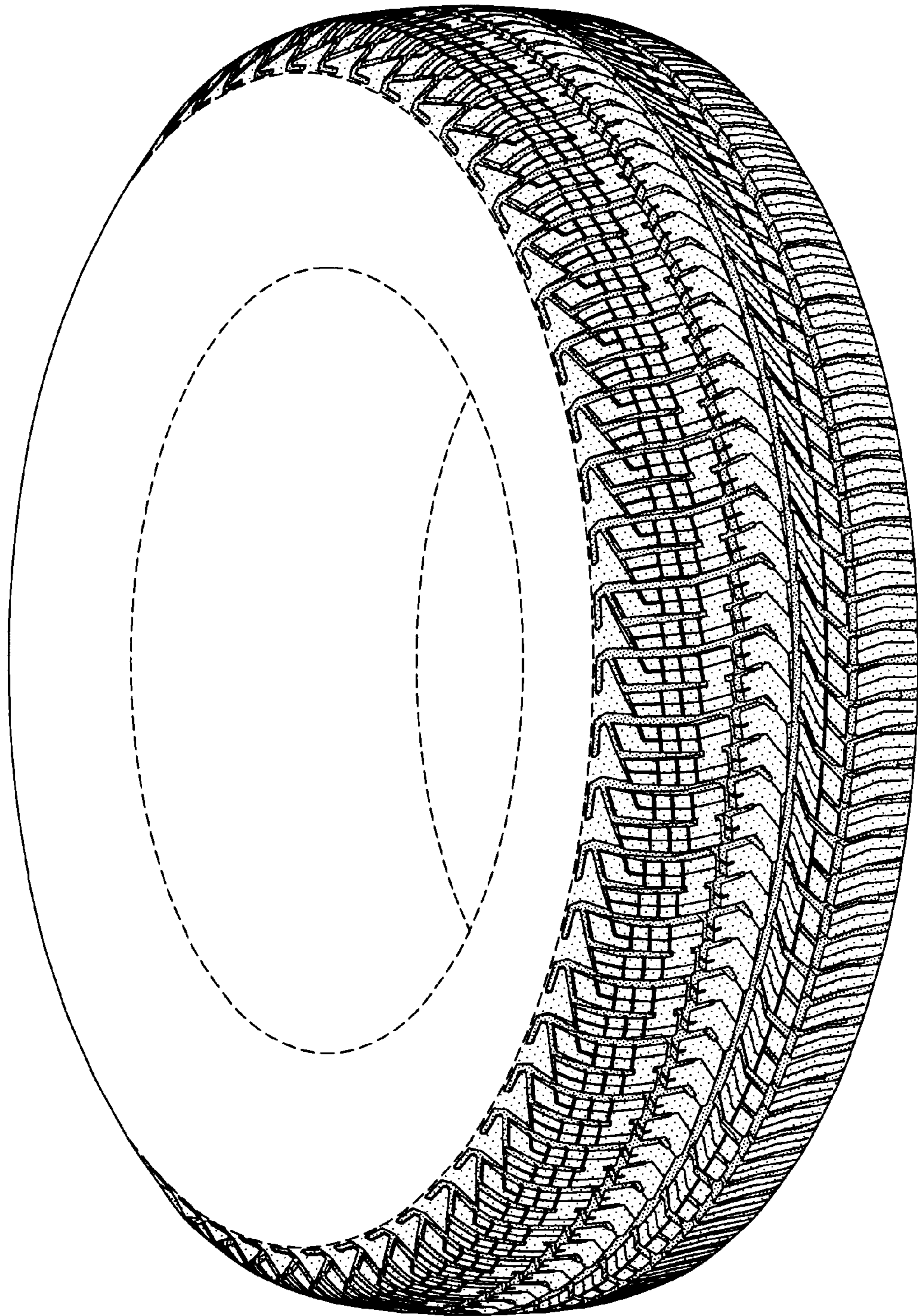


FIG-2

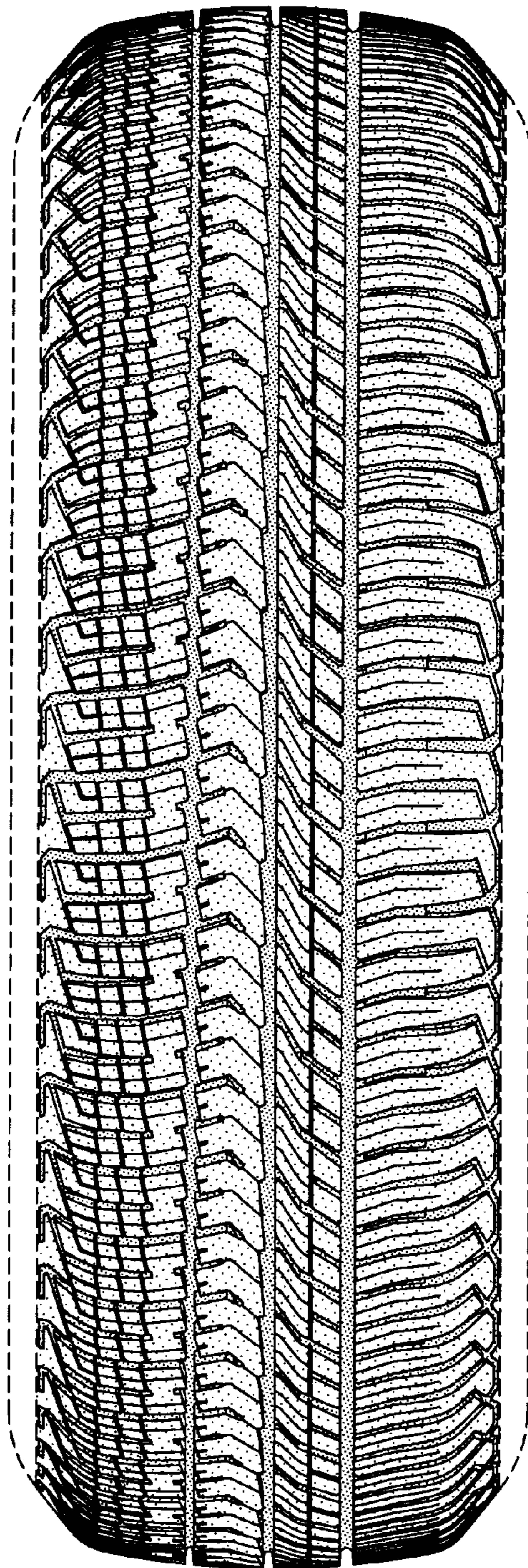


FIG-3

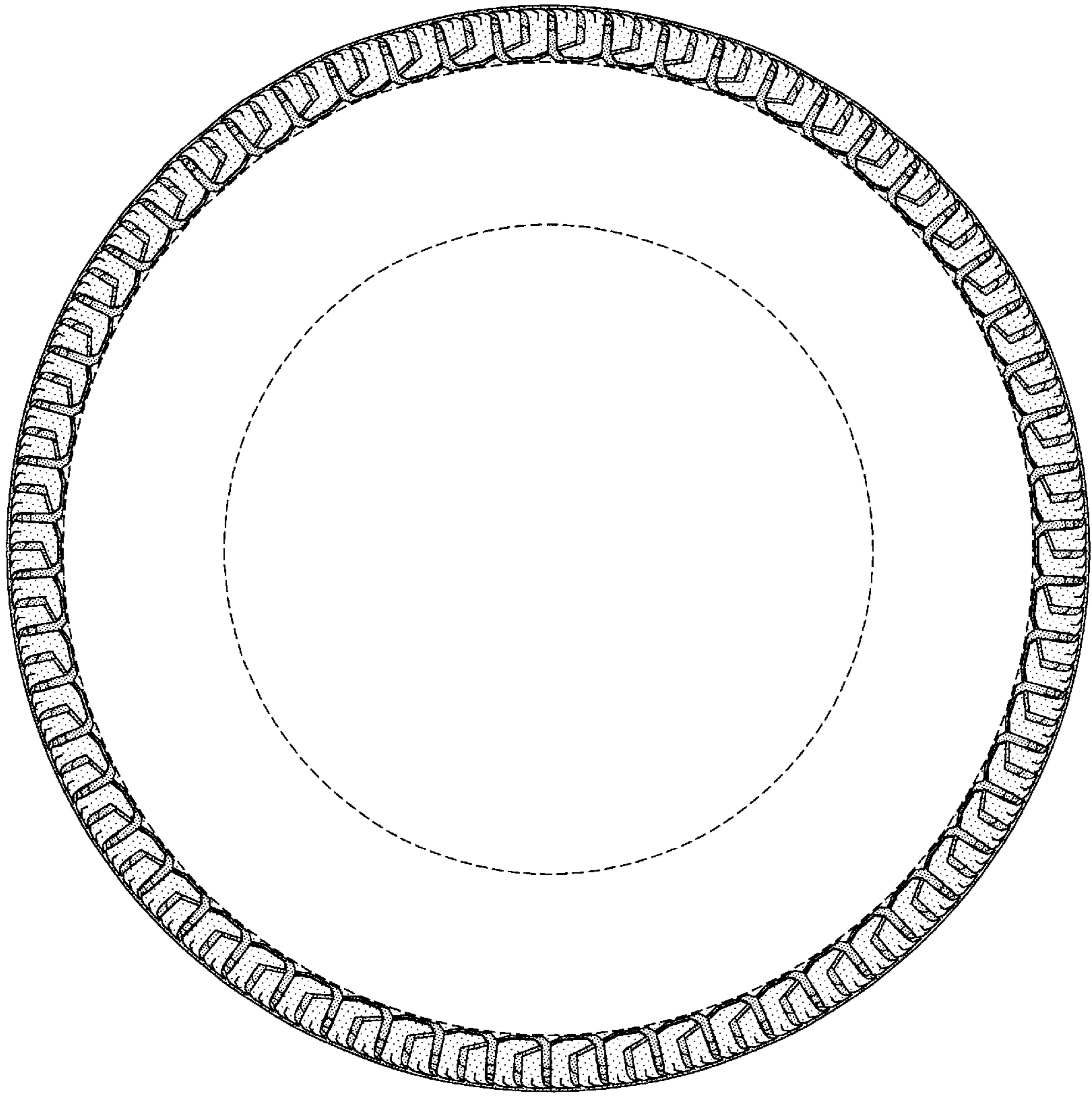


FIG-4

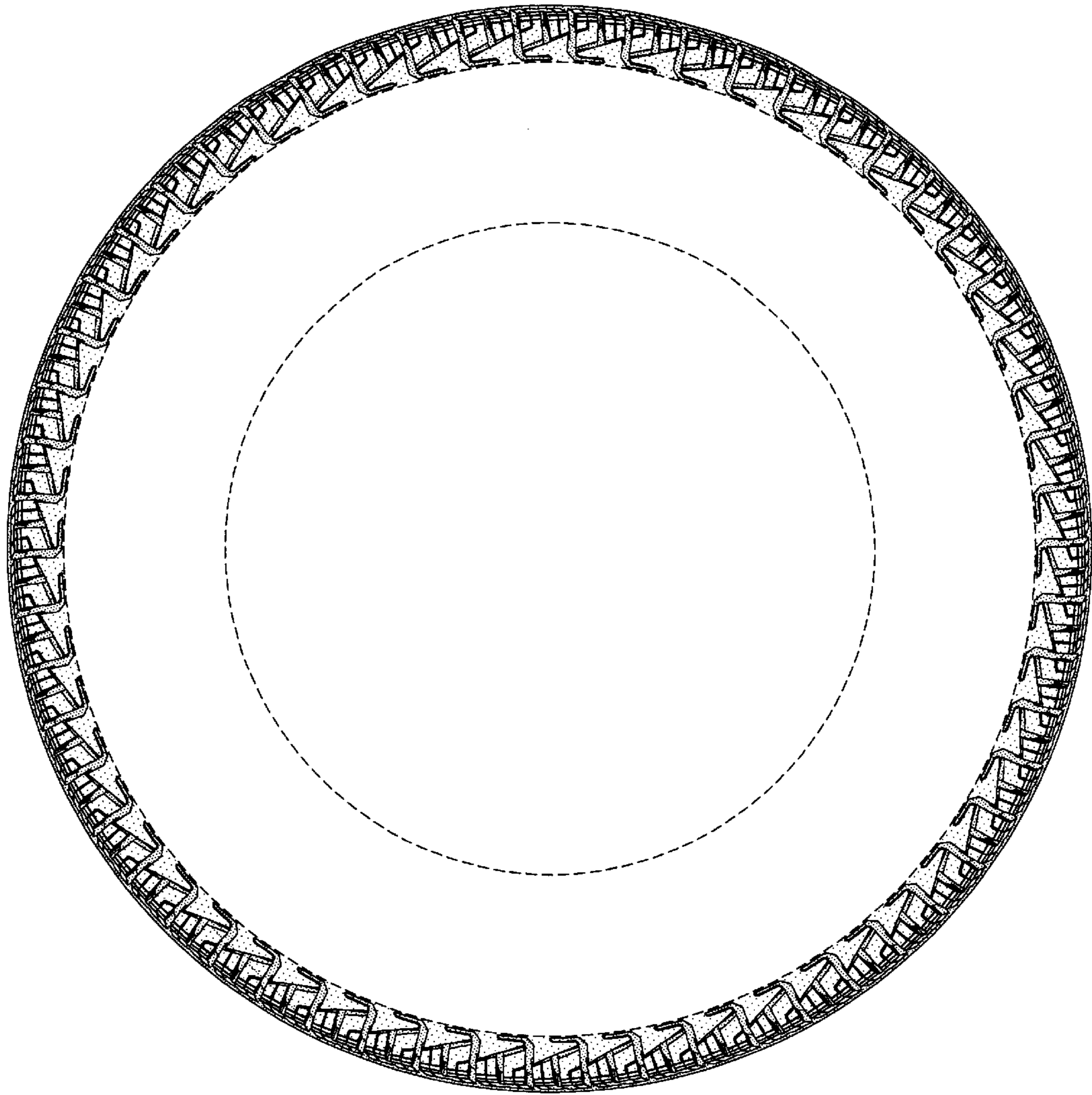


FIG-5

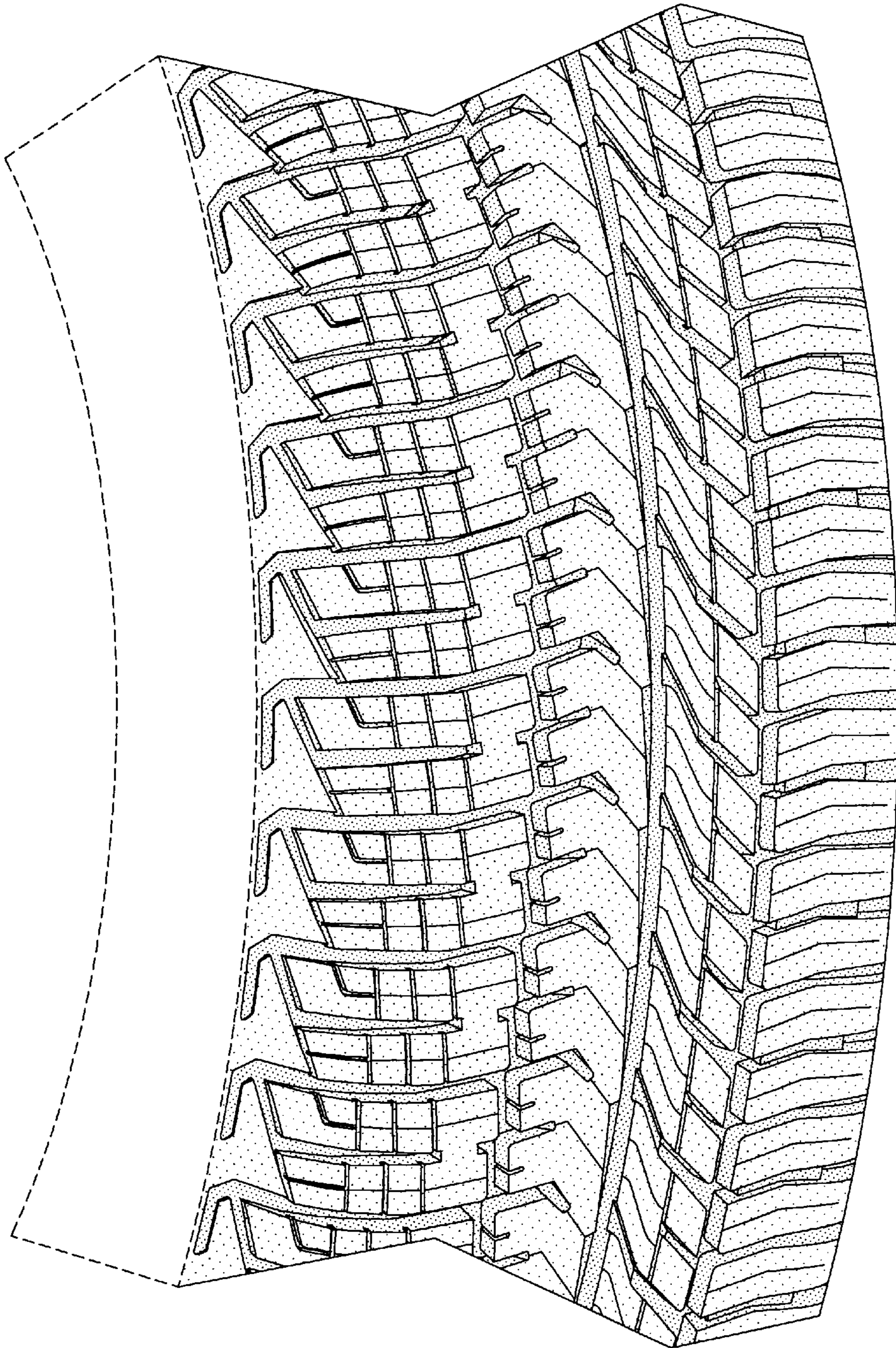


FIG-6