

US00D451440B1

(12) **United States Design Patent** (10) **Patent No.:** **US D451,440 S**  
**Weber** (45) **Date of Patent:** **\*\* Dec. 4, 2001**

(54) **TIRE TREAD**

(75) Inventor: **Michael Joseph Weber**, Mogadore, OH (US)

(73) Assignee: **The Goodyear Tire & Rubber Company**, Akron, OH (US)

(\*\*) Term: **14 Years**

(21) Appl. No.: **29/133,688**

(22) Filed: **Dec. 4, 2000**

(51) **LOC (7) Cl.** ..... **12-15**

(52) **U.S. Cl.** ..... **D12/146**

(58) **Field of Search** ..... D12/134-152;  
152/209.1, 209.3, 209.8, 209.9, 209.11,  
455, 456, 902, 903, 904

(56) **References Cited**

**U.S. PATENT DOCUMENTS**

D. 390,820	*	2/1998	Guspodin et al.	.....	D12/147
D. 402,946		12/1998	McKisson	.....	D12/147
D. 407,679		4/1999	Weber et al.	.....	D12/147
D. 410,600	*	6/1999	Matsuda	.....	D12/146
D. 418,785	*	1/2000	Lovell et al.	.....	D12/147
D. 439,870	*	4/2001	Lovell et al.	.....	D12/146
5,135,038		8/1992	Graas et al.	.....	152/209 R
5,200,008		4/1993	Enterline et al.	.....	156/110.1
5,360,043		11/1994	Croyle et al.	.....	152/209 A
5,407,005	*	4/1995	Consolacion et al.	.....	152/902
5,529,101		6/1996	Croyle et al.	.....	152/209 R
5,685,927		11/1997	Hammond et al.	.....	152/209 R
5,804,000		9/1998	Shirai et al.	.....	152/209 R
5,814,169		9/1998	Yamaguchi et al.	.....	152/209 R
5,833,780		11/1998	Kishi et al.	.....	152/209 R
5,871,598		2/1999	Tomita	.....	152/209 R

**OTHER PUBLICATIONS**

Bridgestone S321 Tire, 1999 Tread Design Guide, Jan. 1999, p. 16. 4/3.\*

Goodyear Infinitred Tire, 1999 Tread Design Guide, Jan. 1999, p. 35. 2/5.\*

Mastycraft M-R 823 Tire, 1999 Tread Design Guide, Jan. 1999, p. 46. 3/4.\*

2000 Tread Design Guide, p. 34, Goodyear Eagle GS-A Tire, (ZR Rated)—B-TL-R-SB-RP-35-40-45-M-RD.

\* cited by examiner

Primary Examiner—Robert M. Spear

(74) Attorney, Agent, or Firm—David E. Wheeler

(57) **CLAIM**

The ornamental Design for a tire tread, as shown and described.

**DESCRIPTION**

FIG. 1 is a perspective view of a tire tread showing our new design, it being understood that the pattern repeats uniformly throughout the circumference of the tread;

FIG. 2 is the opposite side perspective view of a tire tread thereof;

FIG. 3 is a front elevational view thereof;

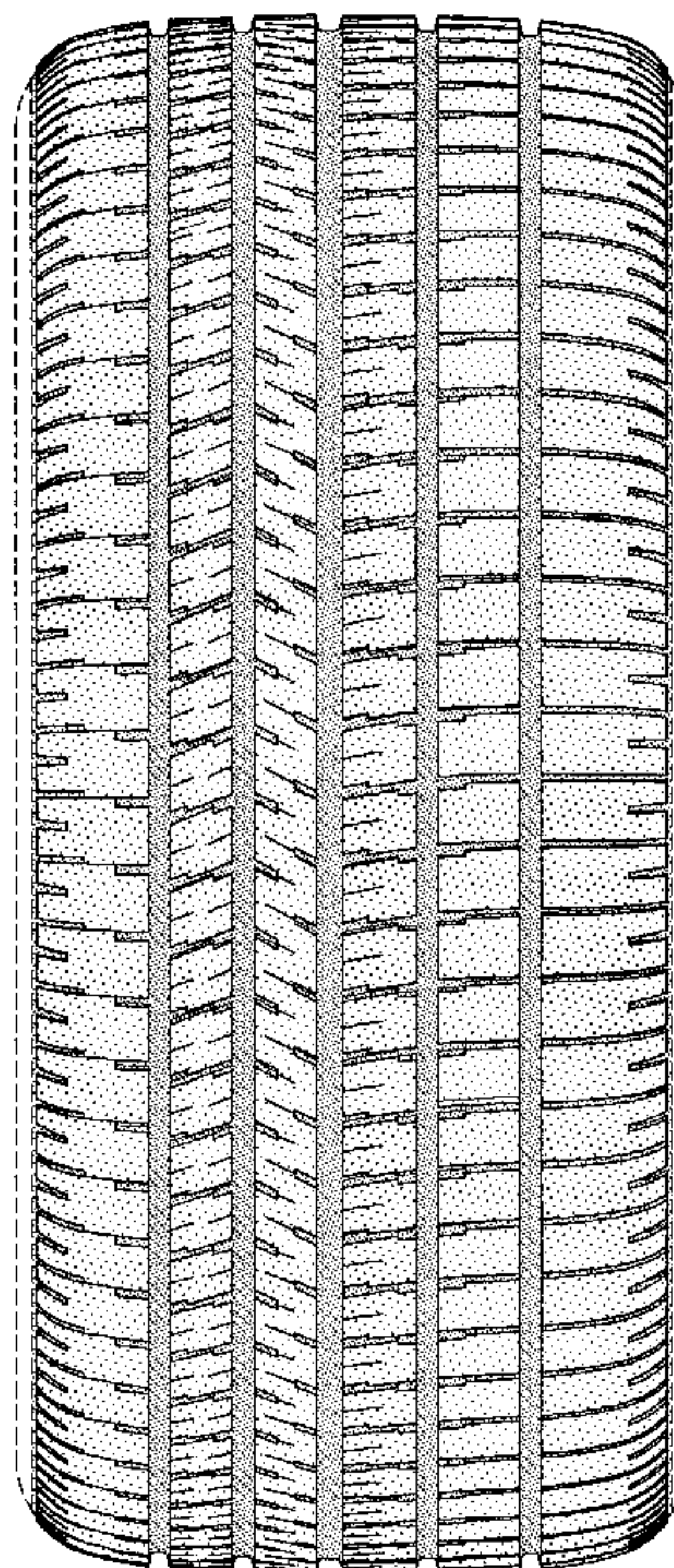
FIG. 4 is a side elevational view thereof;

FIG. 5 is the opposite side elevational view thereof; and,

FIG. 6 is an enlarged fragmentary perspective view.

In the drawings, the broken lines defining the inner bead of the sidewall and the peripheral boundary between the tire tread and the sidewall are for illustrative purposes only and form no part of the claimed design.

**1 Claim, 6 Drawing Sheets**





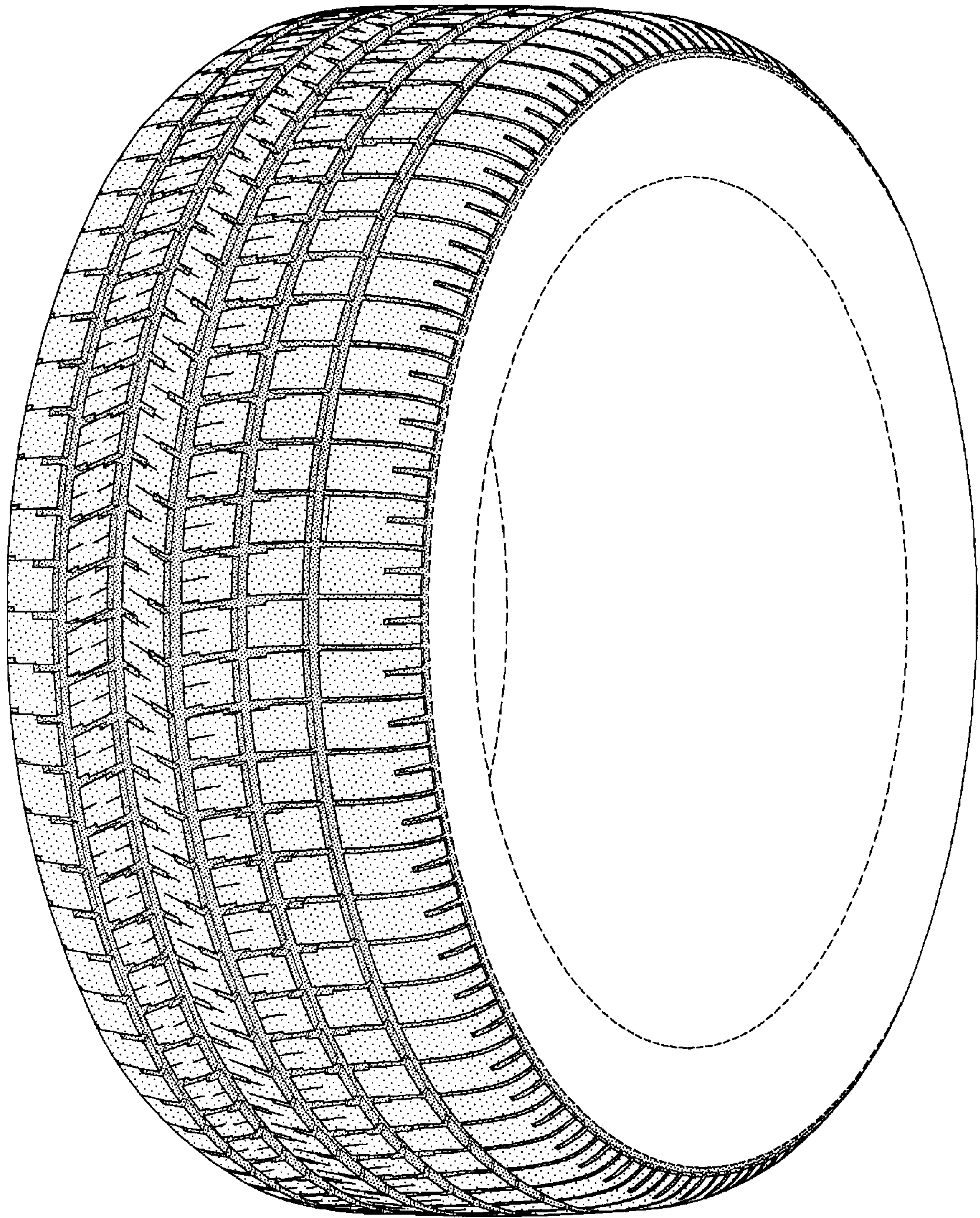


FIG-1



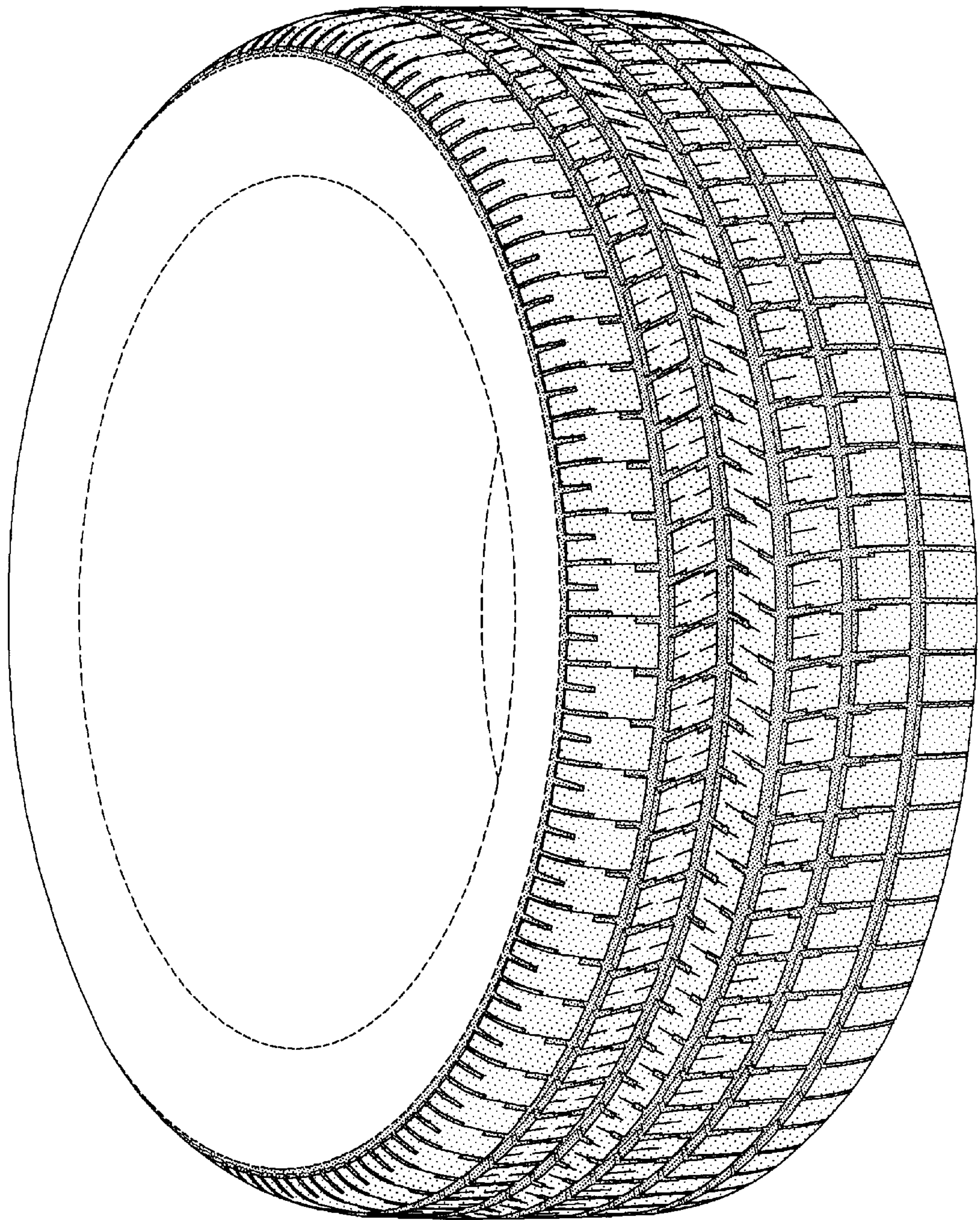


FIG-2



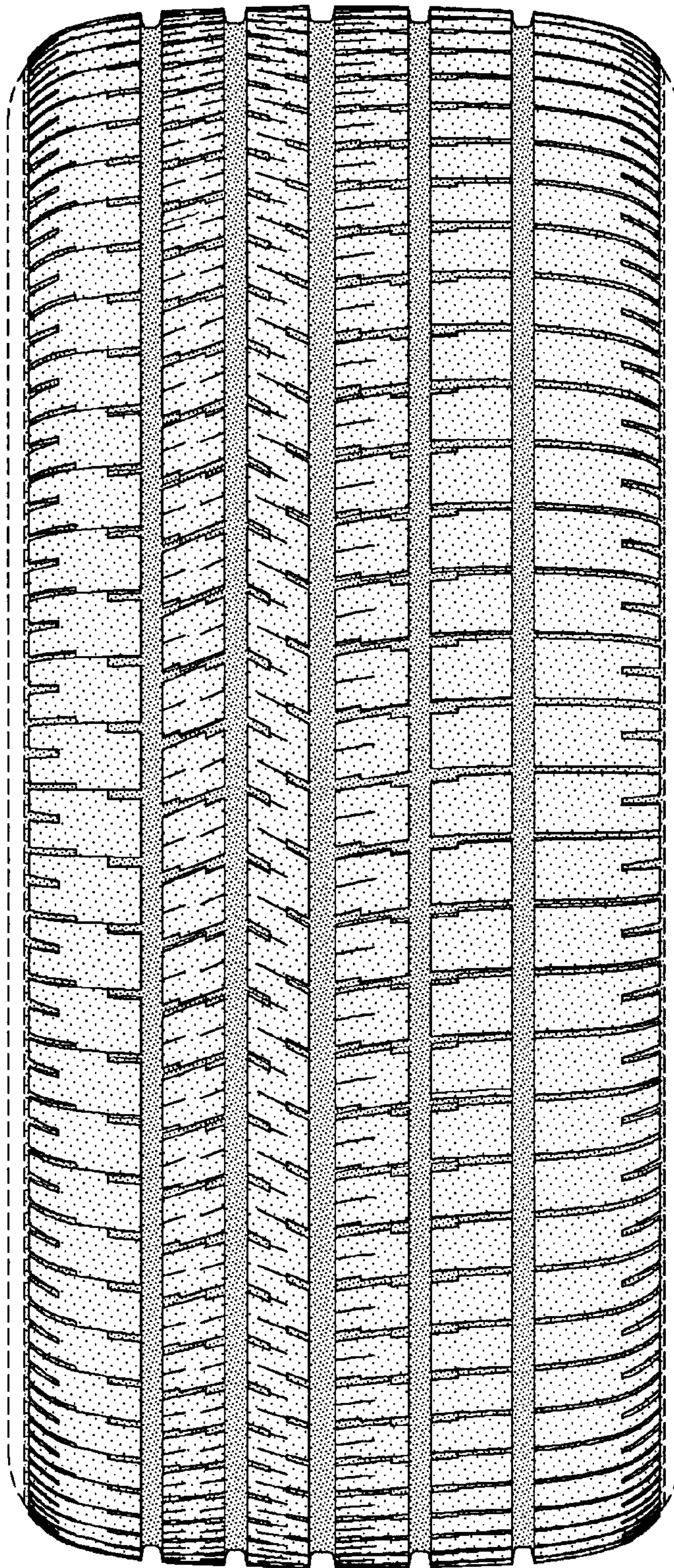


FIG-3

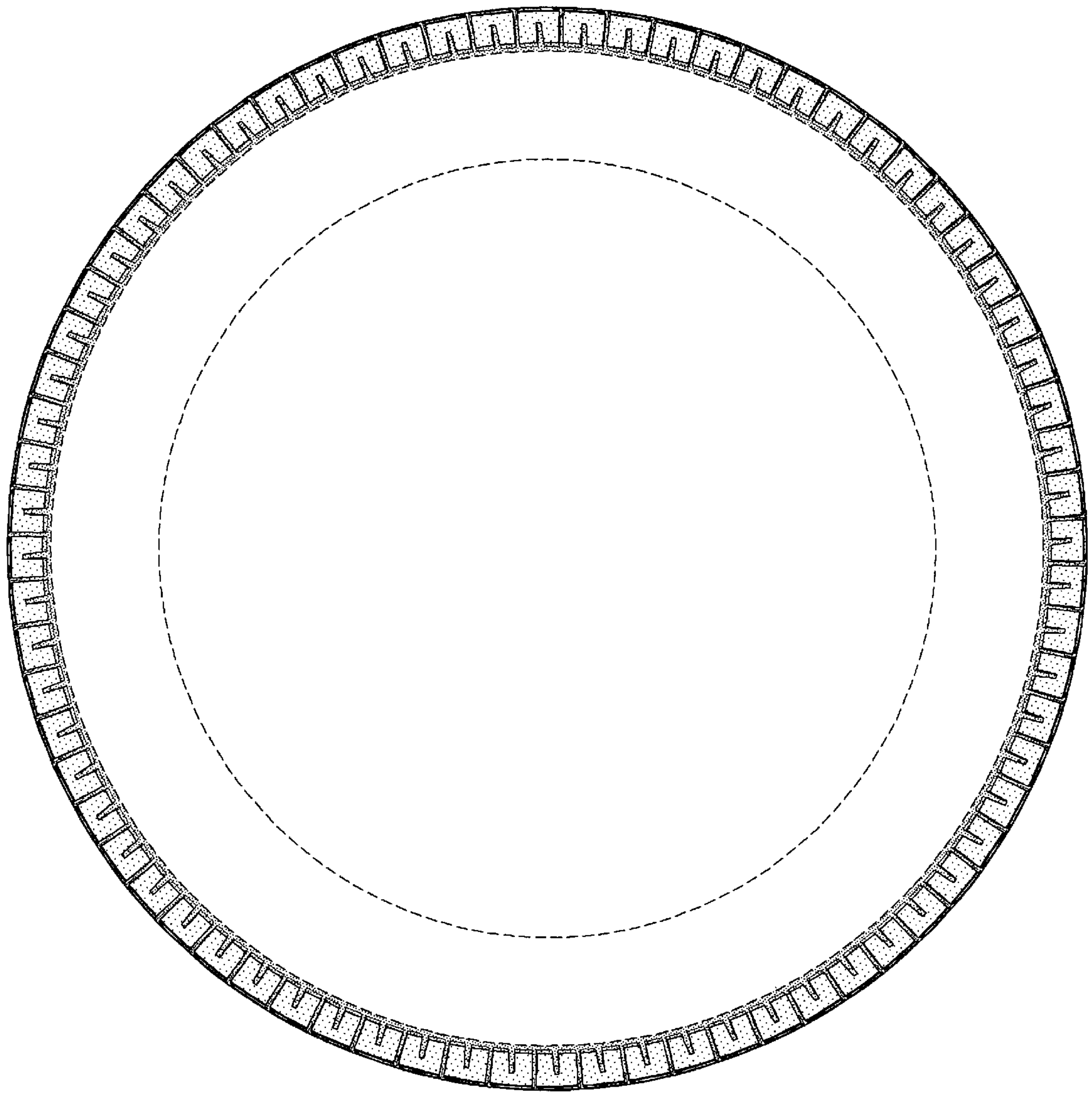


FIG-4



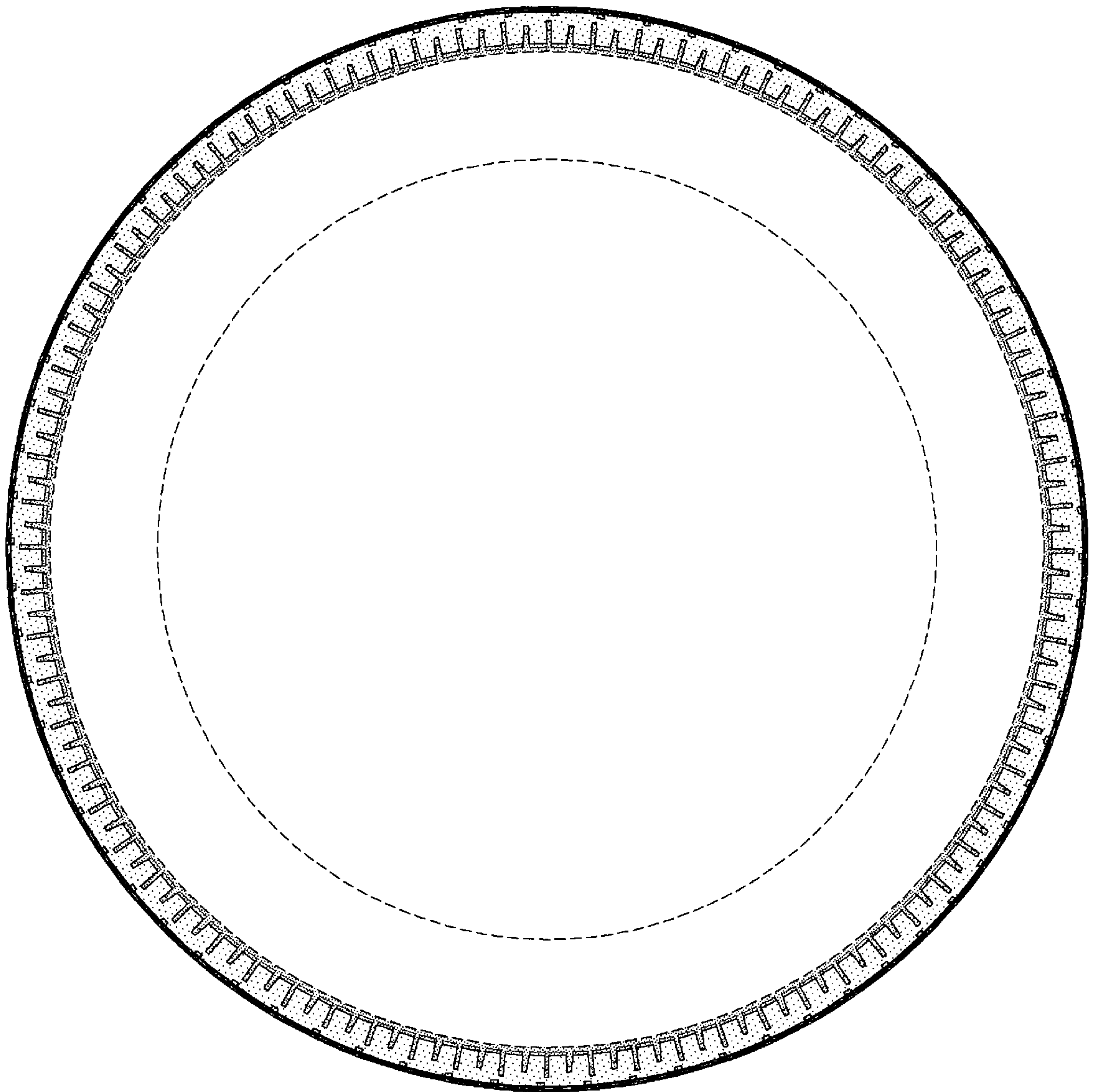


FIG-5

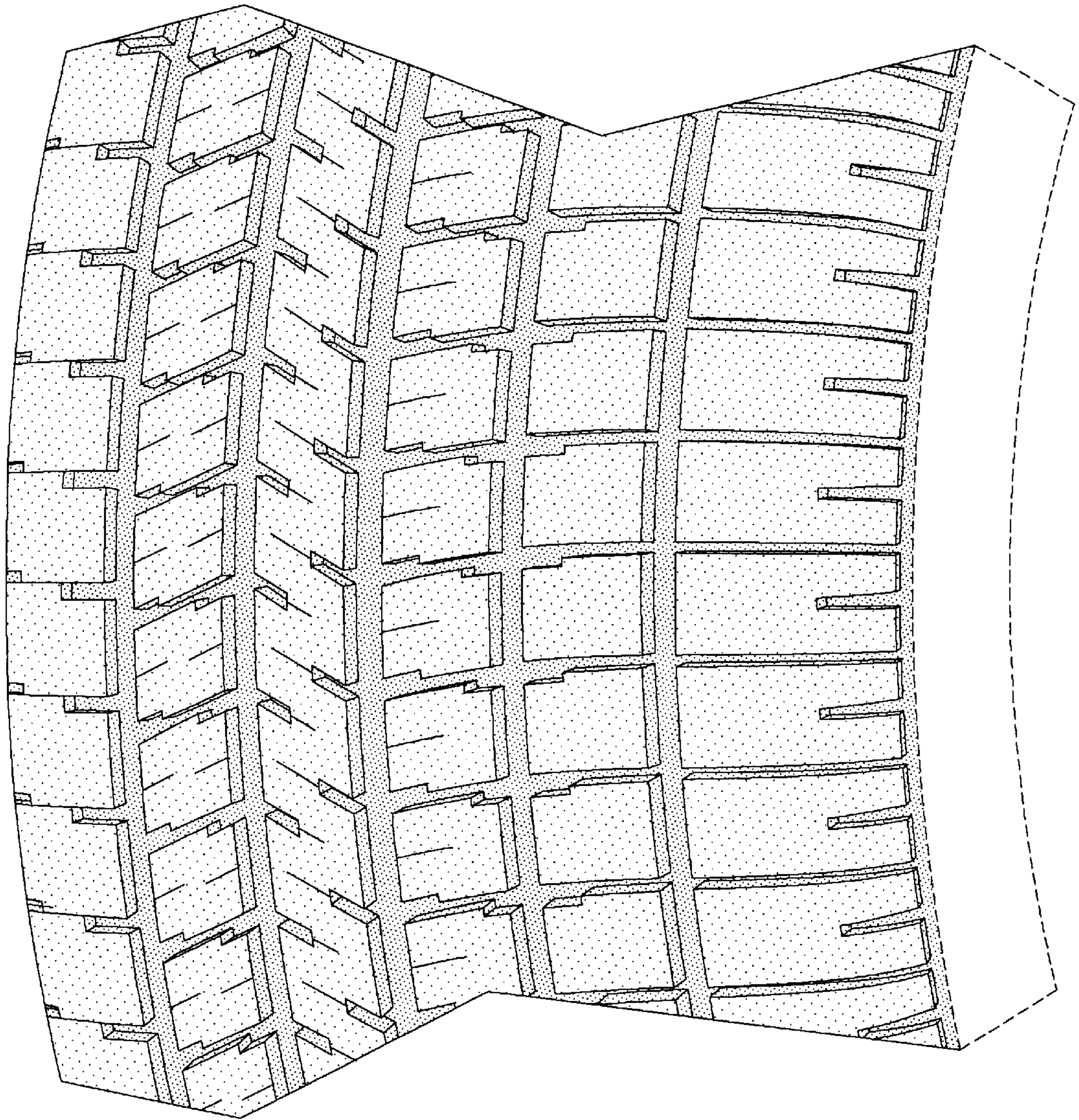


FIG-6