



US00D451438B1

(12) **United States Design Patent**
Galante et al.

(10) **Patent No.:** **US D451,438 S**

(45) **Date of Patent:** **** Dec. 4, 2001**

(54) **TIRE TREAD**

5,833,780 11/1998 Kishi et al. 152/209 R
6,082,424 7/2000 Miyazaki 152/209.14

(75) Inventors: **Richard Louis Galante; Ronald Lawrence Loeffler**, both of Akron;
Chester Joseph Gasowski, Uniontown,
all of OH (US)

OTHER PUBLICATIONS

(73) Assignee: **The Goodyear Tire & Rubber Company**, Akron, OH (US)

Michelin XRV Tire, 1999 Tread Design Guide, Jan. 1999, p. 107. 4/5.*

(**) Term: **14 Years**

Bridgestone R250 & R250F Tire, 1999 Tread Design Guide, Jan. 1999, p. 127. 1/2.*

(21) Appl. No.: **29/128,895**

Cordovan Power King Radial Trailer R11 Tire, 1999 Tread Design Guide, Jan. 1999, p. 130. 4/3.*

(22) Filed: **Aug. 31, 2000**

Sumitomo ST700 Tire, 1999 Tread Design Guide, Jan. 1999, p. 159. 3/5.*

(51) **LOC (7) Cl.** **12-15**

Hercules Trailway Trailer Over-the-Road Tire, 1999 Tread Design Guide, Jan. 1999, p. 238. 2/1.*

(52) **U.S. Cl.** **D12/146**

Ohtsu RI-148 Tire, Tire Review Magazine, Jun. 1999, p. 31.*

(58) **Field of Search** D12/134-152;
152/209.1, 209.9, 209.16, 209.25, 209.27,
902, 903

* cited by examiner

(56) **References Cited**

Primary Examiner—Robert M. Spear
(74) *Attorney, Agent, or Firm*—David L. King

U.S. PATENT DOCUMENTS

(57) **CLAIM**

- D. 304,557 * 11/1989 Ochiai D12/146
- D. 304,558 * 11/1989 Fukumoto D12/146
- D. 334,362 * 3/1993 Stone et al. D12/147
- D. 370,439 * 6/1996 Feider et al. D12/141
- D. 371,756 * 7/1996 Kishi et al. D12/141
- D. 377,635 * 1/1997 Numata D12/141
- D. 385,234 * 10/1997 Young D12/141
- D. 386,452 * 11/1997 Tsukagoshi D12/141
- D. 423,995 5/2000 Gillard et al. D12/142
- D. 424,986 5/2000 Yoshioka D12/147
- 4,515,197 5/1985 Motomura et al. 152/209 R
- 5,222,537 6/1993 Saito et al. 152/209 R
- 5,277,235 1/1994 Saito et al. 152/209 R
- 5,299,612 4/1994 Saito et al. 152/209 R
- 5,309,966 5/1994 Saito et al. 152/209 R
- 5,323,825 6/1994 Yamagishi et al. 152/209 R
- 5,360,044 11/1994 Saito et al. 152/209 R
- 5,360,046 11/1994 Takada et al. 152/209 R

The ornamental design for a tire tread, as shown and described.

DESCRIPTION

FIG. 1 is a perspective view of a tire tread showing our new design, it being understood that the pattern repeats uniformly throughout the circumference of the tread;

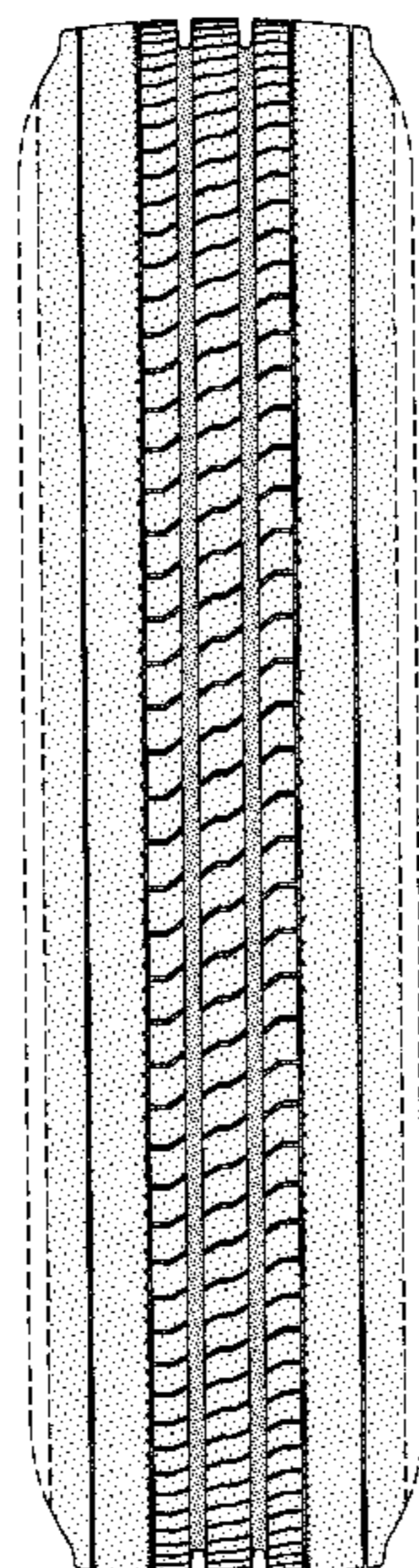
FIG. 2 is a front elevational view thereof;

FIG. 3 is a side elevational view thereof, the opposite side elevational view being identical thereto; and,

FIG. 4 is an enlarged fragmentary perspective view.

In the drawings, the broken lines defining the inner bead of the sidewall and the peripheral boundary between the tire tread and the sidewall are for illustrative purposes only and form no part of the claimed design.

1 Claim, 4 Drawing Sheets



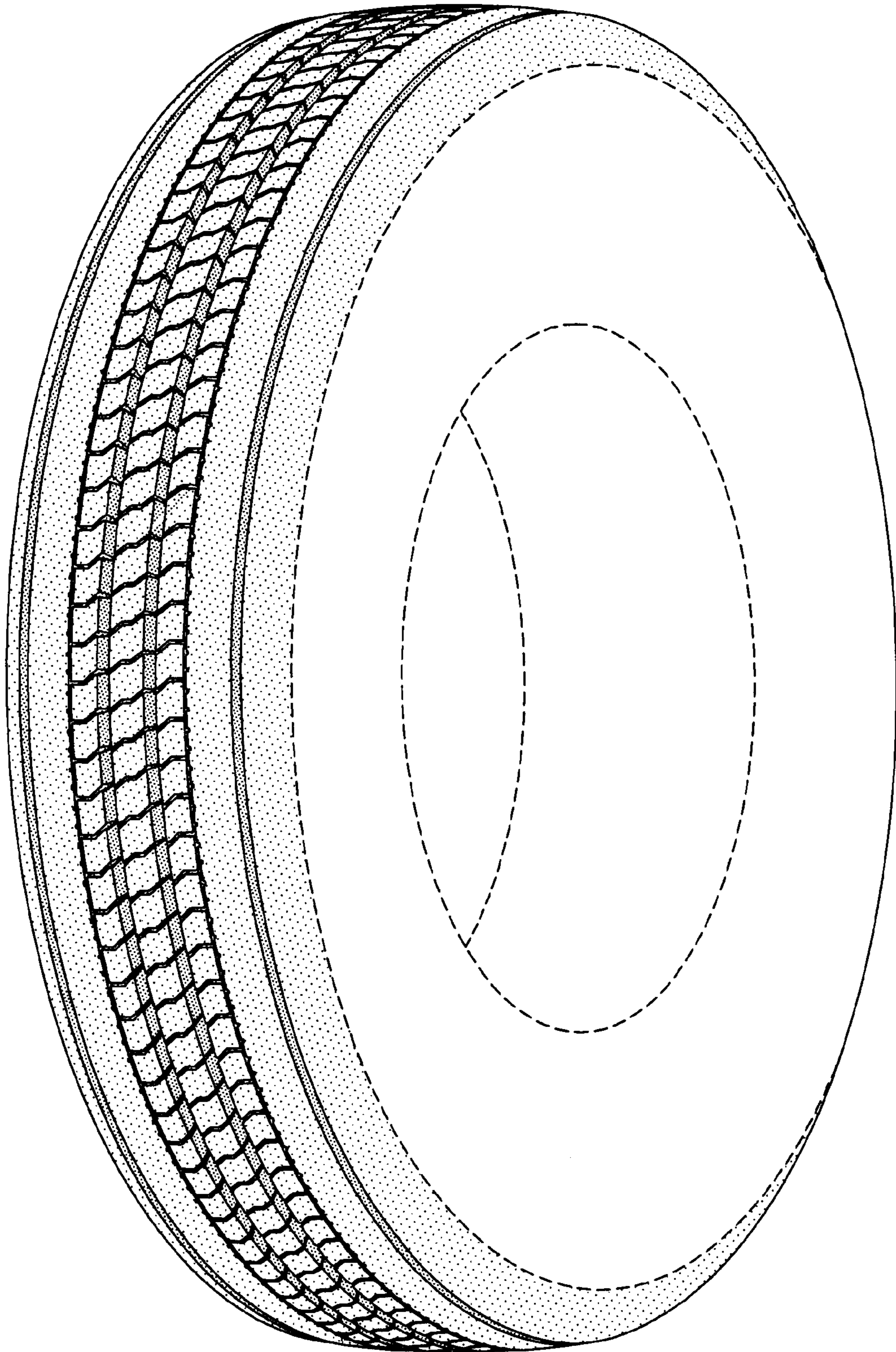


FIG-1

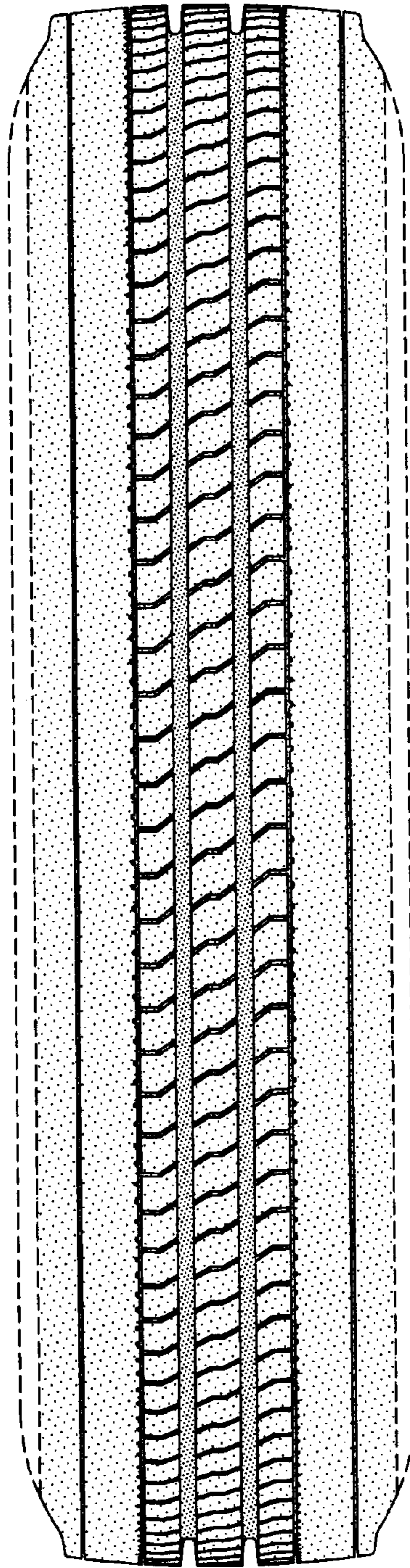


FIG-2

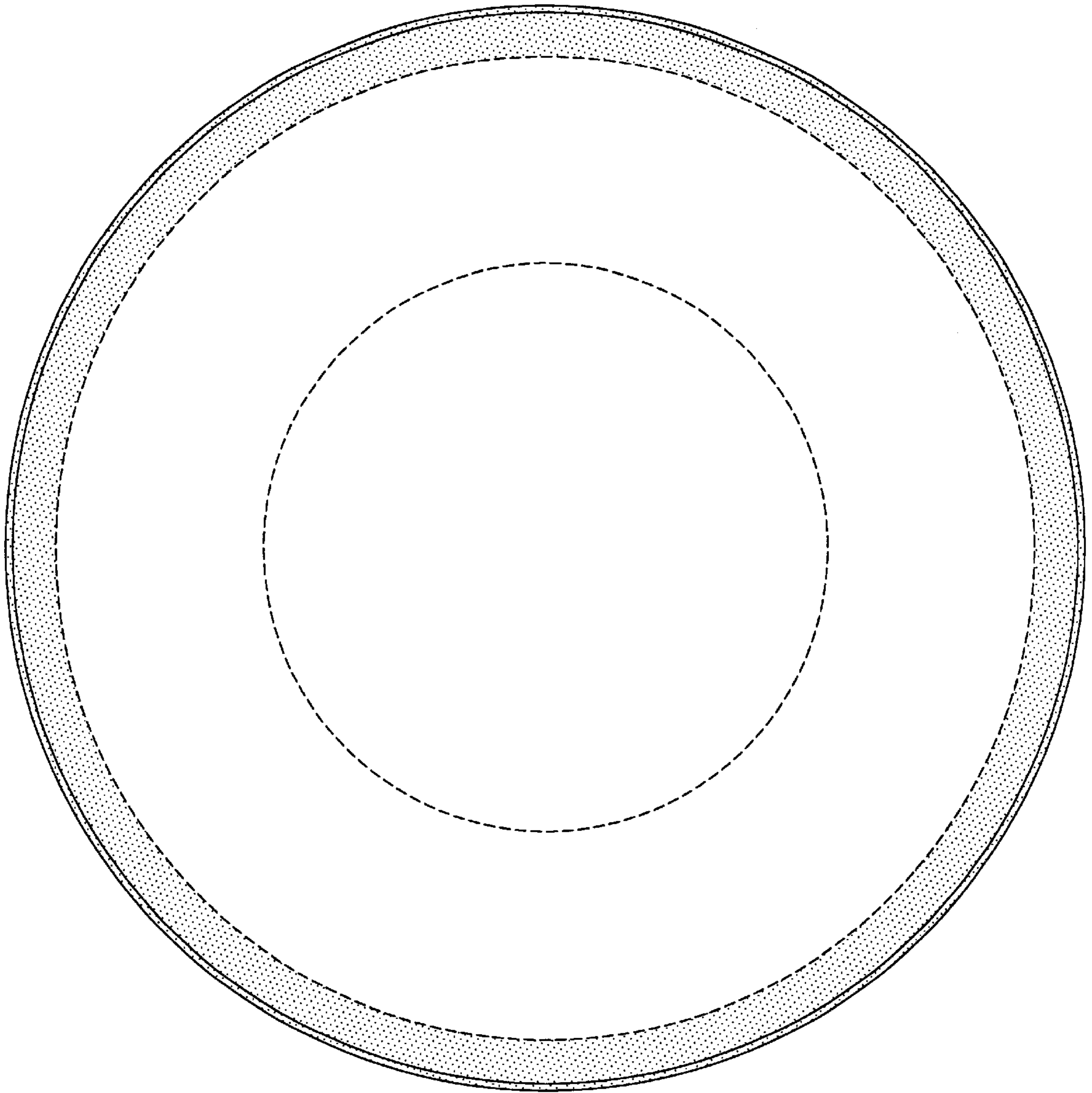


FIG-3

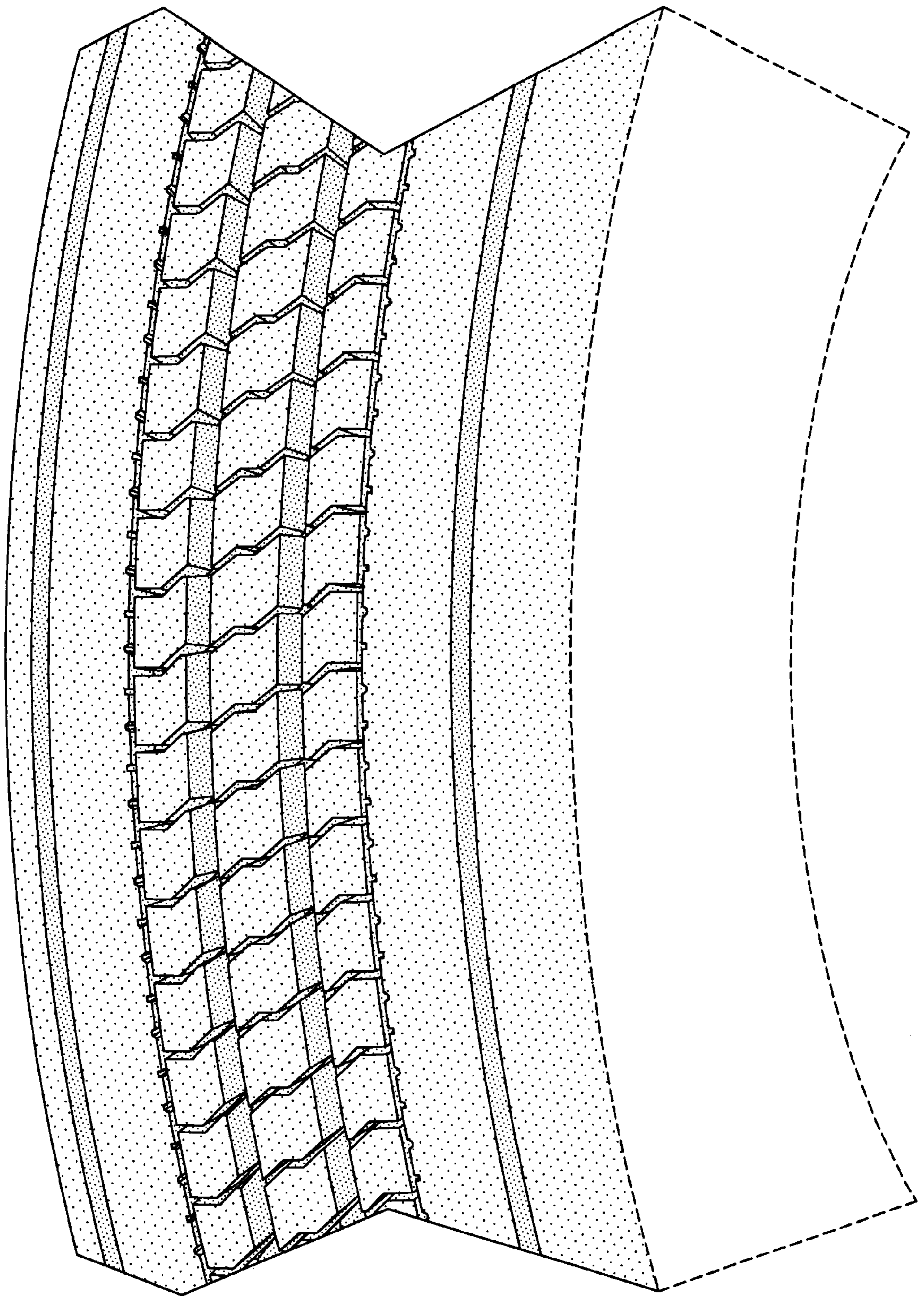


FIG-4