



US00D451437B1

(12) **United States Design Patent**
Reid et al.

(10) **Patent No.:** **US D451,437 S**

(45) **Date of Patent:** **** Dec. 4, 2001**

(54) **TIRE TREAD** 4,982,774 1/1991 Evertz 152/209 R

(75) Inventors: **Kevin Alan Reid**, Asheville, NC (US);
Louis Ernest Zurita, Copley, OH (US)

(73) Assignee: **The Goodyear Tire & Rubber Company**, Akron, OH (US)

(**) Term: **14 Years**

(21) Appl. No.: **29/128,232**

(22) Filed: **Aug. 21, 2000**

(51) **LOC (7) Cl.** **12-15**

(52) **U.S. Cl.** **D12/141**

(58) **Field of Search** D12/500, 505,
D12/506, 507, 515, 516, 517, 518, 519,
520, 524, 531, 532; 152/209.1, 209.8, 209.13,
209.16, 209.25, 901, 902, 903

(56) **References Cited**

U.S. PATENT DOCUMENTS

D. 243,756	*	3/1977	Makino et al.	D12/602
D. 253,643	*	12/1979	Makino et al.	D12/602
D. 260,142	*	8/1981	Takigawa et al.	D12/602
D. 287,708		1/1987	Hayakawa	D12/147
D. 288,080		2/1987	Koyama	D12/146
D. 290,243		6/1987	Ghilardi	D12/142
D. 301,022	*	5/1989	Kemp	D12/584
D. 308,188		5/1990	Hinrichsen et al.	D12/146
D. 311,889		11/1990	Guermadi et al.	D12/146
D. 313,383	*	1/1991	Enoki	D12/582
D. 354,027		1/1995	Grosskopf	D12/146
D. 365,793		1/1996	Scarpitti et al.	D12/146
D. 386,727		11/1997	Sugimoto	D12/147
D. 389,102		1/1998	Gillard et al.	D12/146
4,230,512		10/1980	Makino et al.	152/209 R
4,258,769		3/1981	Makino et al.	152/209 R
4,266,592		5/1981	Takigawa et al.	152/209 D
4,345,632		8/1982	Takigawa et al.	152/209 R

OTHER PUBLICATIONS

Kumho Power Grip IV Tire, 1999 Tread Design Guide, Jan. 1999, p. 43. 4/5.*

NTB Formula GT Tire, 1999 Tread Design Guide, Jan. 1999, p.57. 1/3.*

Remington Endeavor Tire, 1999 Tread Design Guide, Jan. 1999, p. 60. 4/1.*

Dunlop SP351 Tire, 1999 Tread Design Guide, Jan. 1999, p. 91. 4/4.*

Co-op Sluperfleet Cargo Carrier R20 Tire, 1999 Tread Design Guide, Jan. 1999, p. 129. 1/3.*

Hercules HSF Tire, 1999 Tread Design Guide, Jan. 1999, p. 141. 4/2.*

* cited by examiner

Primary Examiner—Robert M. Spear

(74) *Attorney, Agent, or Firm*—David L. King

(57) **CLAIM**

The ornamental Design for a tire tread, as shown and described.

DESCRIPTION

FIG. 1 is a perspective view of a tire tread showing our new design, it being understood that the pattern repeats uniformly throughout the circumference of the tread;

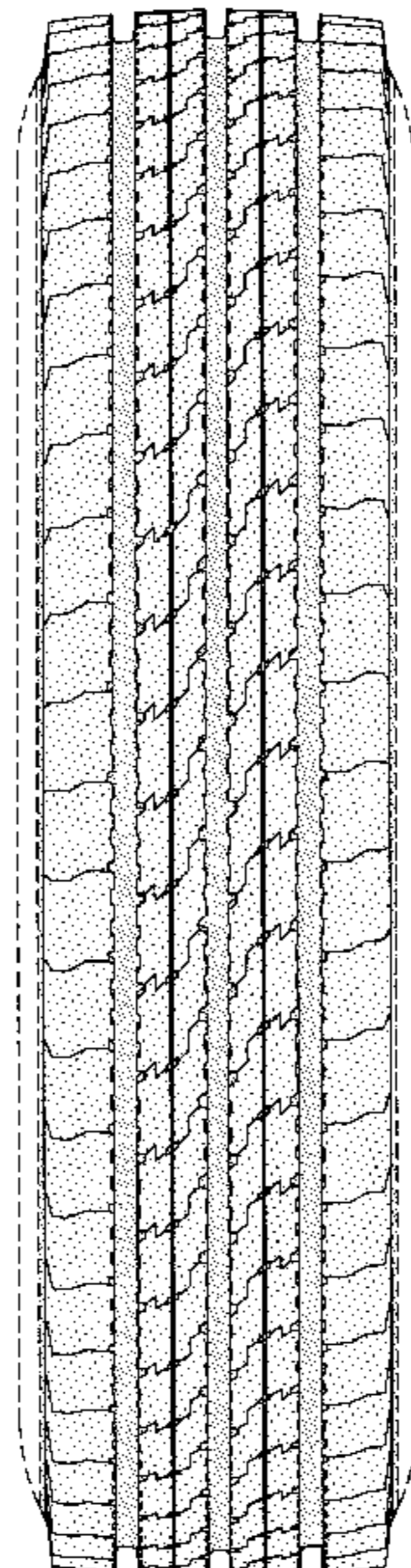
FIG. 2 is a front elevational view thereof;

FIG. 3 is a side elevational view thereof, the opposite side elevational view being identical thereto; and,

FIG. 4 is an enlarged fragmentary perspective view.

In the drawings, the broken lines defining the sidewall and inner bead and the peripheral boundary between the tire tread and the sidewall are for illustrative purposes only and form no part of the claimed design.

1 Claim, 4 Drawing Sheets



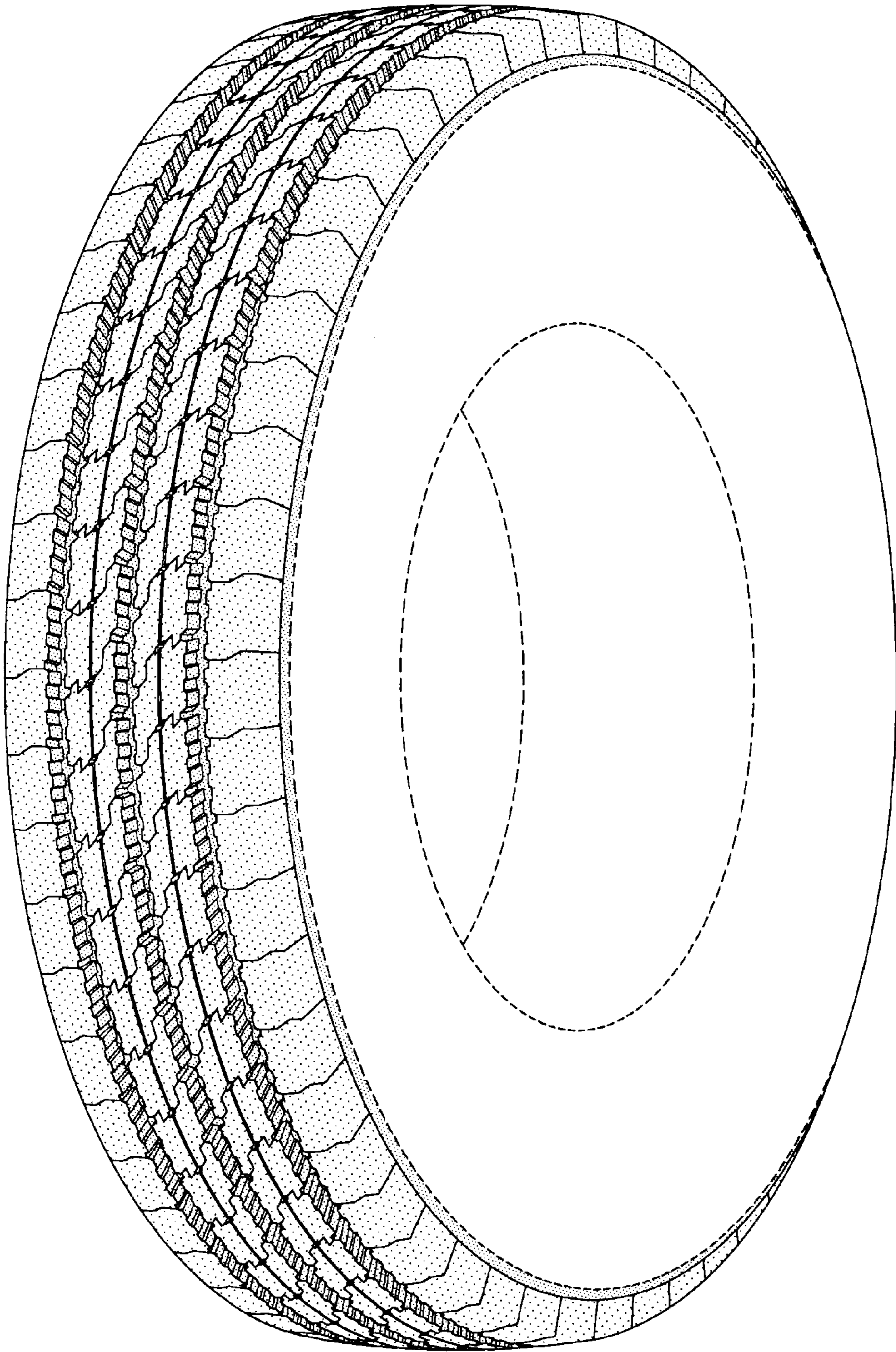


FIG-1

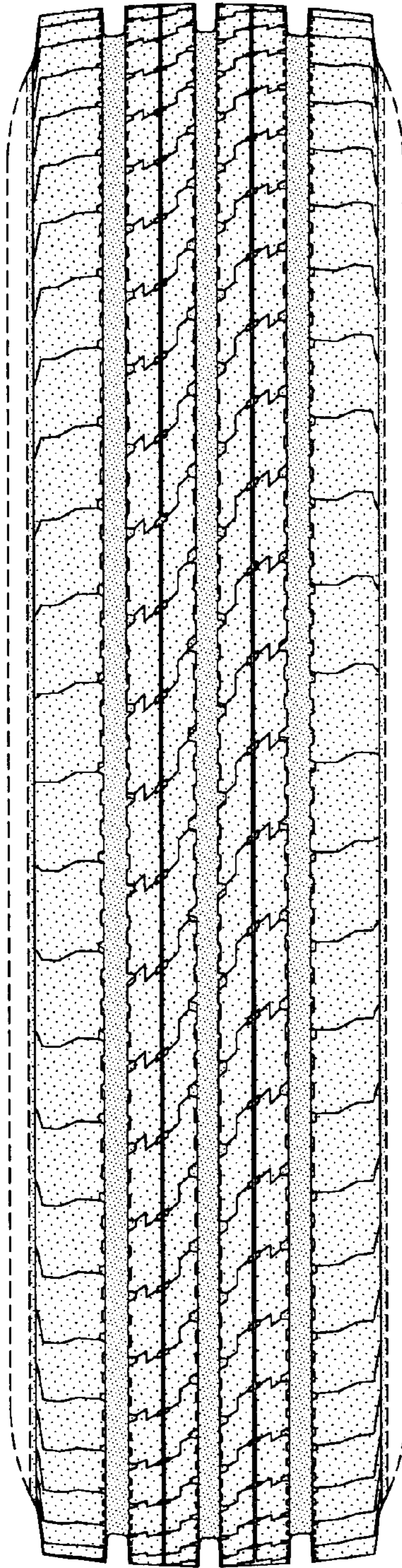


FIG-2

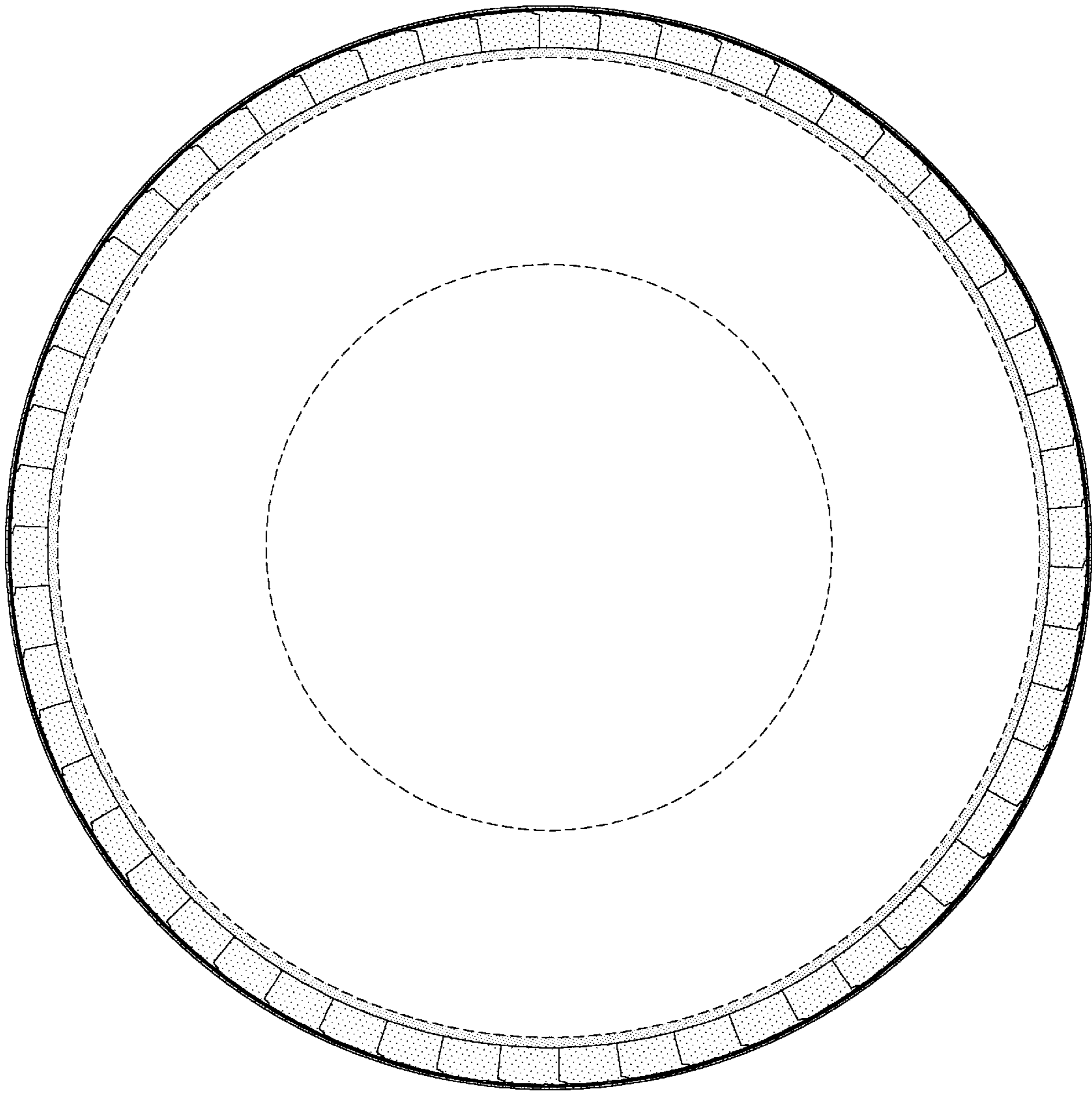


FIG-3

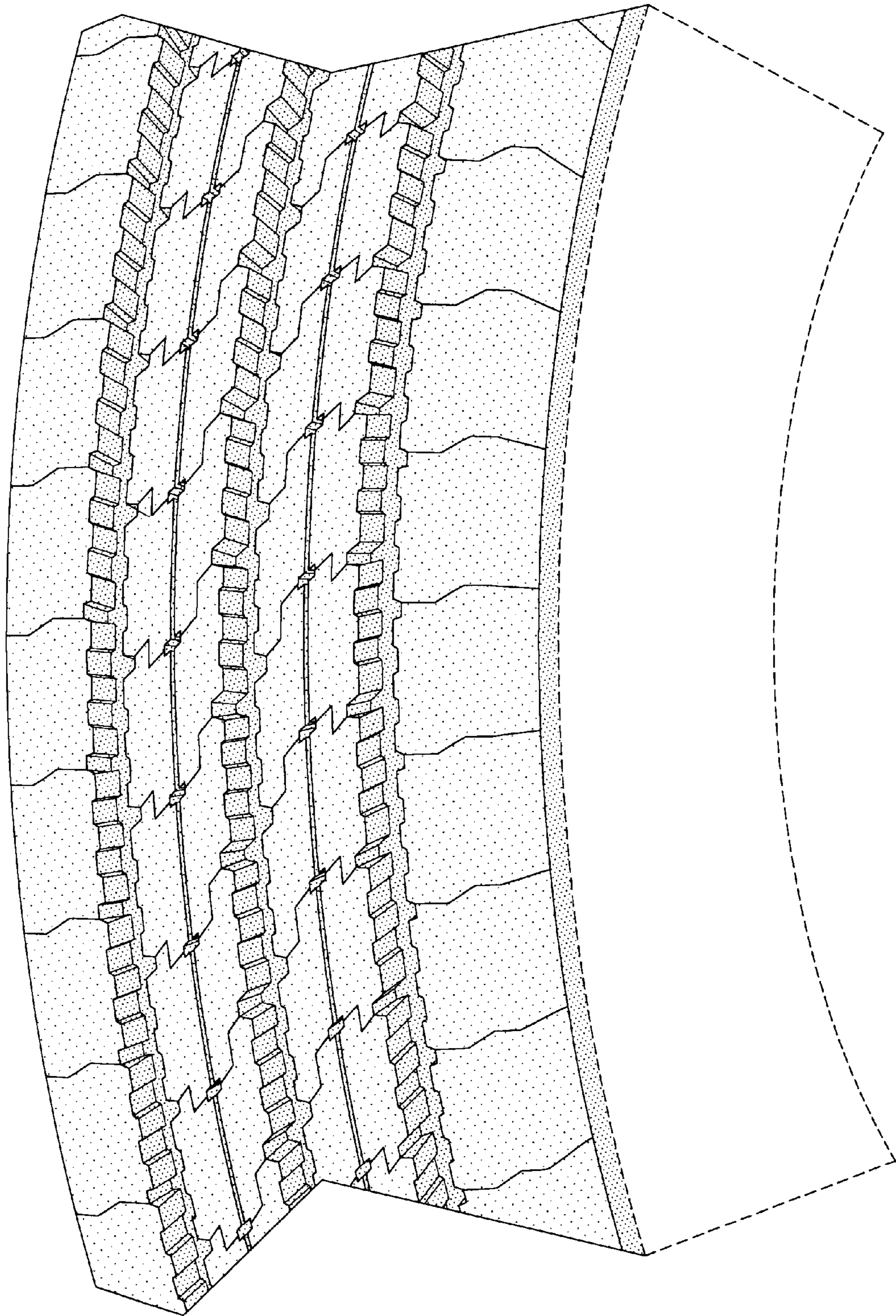


FIG-4